



US00D728616S

(12) **United States Design Patent**  
**Gomez et al.**

(10) **Patent No.:** **US D728,616 S**

(45) **Date of Patent:** **\*\* May 5, 2015**

(54) **DISPLAY SCREEN WITH TRANSITIONAL GRAPHICAL USER INTERFACE**

(71) Applicant: **Microsoft Corporation**, Redmond, WA (US)

(72) Inventors: **Harold S. Gomez**, Seattle, WA (US);  
**Joy Yun-Jung Chen**, Redmond, WA (US)

(73) Assignee: **Microsoft Corporation**, Redmond, WA (US)

(\*\*) Term: **14 Years**

(21) Appl. No.: **29/456,198**

(22) Filed: **May 29, 2013**

(51) **LOC (10) Cl.** ..... **14-04**

(52) **U.S. Cl.**  
USPC ..... **D14/491**

(58) **Field of Classification Search**  
CPC ..... G06F 3/0482; G06F 8/34; G06F 3/04817;  
G06F 3/048  
USPC ..... D14/485-495; 715/703, 715, 727, 763,  
715/773, 776, 779, 839, 810, 811, 812, 813,  
715/814, 815, 821, 825, 828, 833, 835, 836,  
715/837, 838, 840, 846, 847, 864, 963, 974,  
715/976, 977

See application file for complete search history.

(56) **References Cited**

U.S. PATENT DOCUMENTS

D525,984 S 8/2006 Hally et al.  
D528,124 S 9/2006 Hally et al.  
D528,559 S 9/2006 Hally et al.  
D588,154 S 3/2009 Bouchard et al.  
D601,165 S \* 9/2009 Truelove et al. .... D14/491

D645,470 S \* 9/2011 Matas ..... D14/489  
D650,393 S \* 12/2011 Doll ..... D14/486  
D676,866 S \* 2/2013 Chaudhri ..... D14/487  
D706,791 S \* 6/2014 Sassoon ..... D14/486  
D709,080 S \* 7/2014 Kim ..... D14/486  
D711,402 S \* 8/2014 Thornton et al. .... D14/486  
D711,406 S \* 8/2014 Hurd et al. .... D14/486  
8,856,648 B2 \* 10/2014 Yang et al. .... 715/702  
D716,834 S \* 11/2014 Myung et al. .... D14/486  
2010/0017715 A1 \* 1/2010 Balassanian ..... 715/716  
2014/0229889 A1 \* 8/2014 Hilbrink et al. .... 715/784  
2014/0325402 A1 \* 10/2014 Jung et al. .... 715/763

\* cited by examiner

*Primary Examiner* — Angela J Lee

(74) *Attorney, Agent, or Firm* — Banner & Witcoff, Ltd.

(57) **CLAIM**

The ornamental design for a display screen with transitional graphical user interface, as shown and described.

**DESCRIPTION**

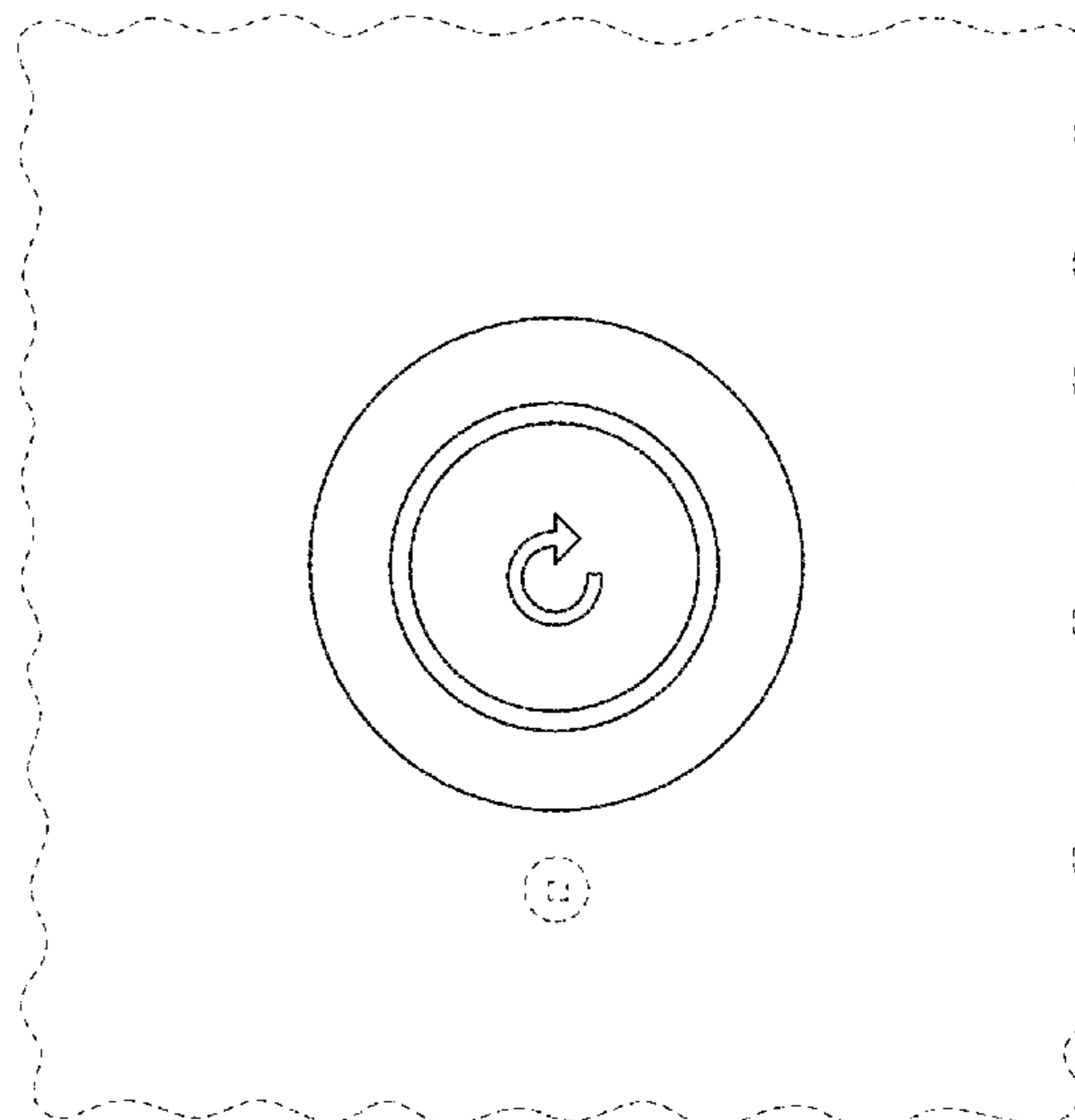
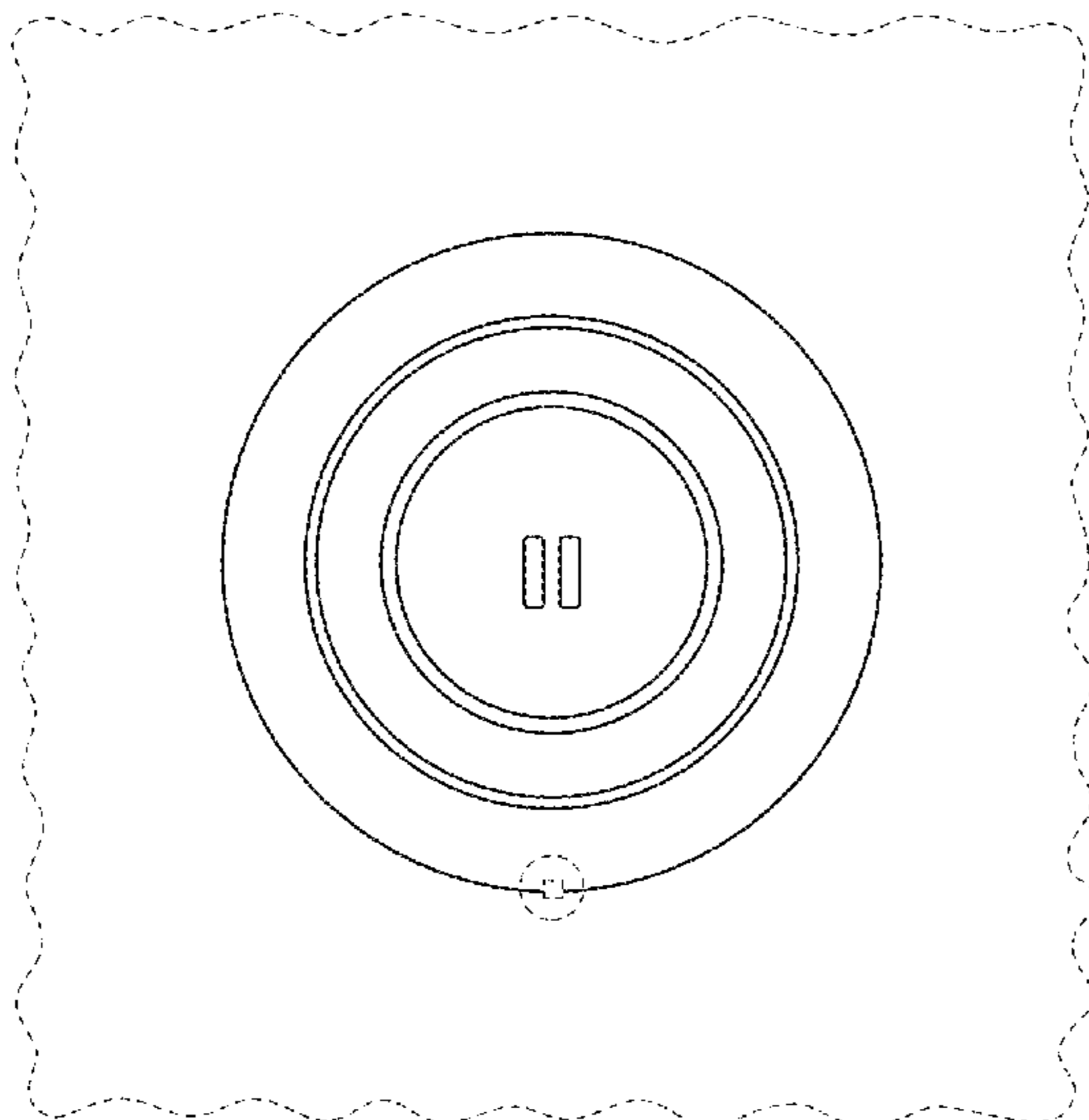
FIG. 1 is the first image in a sequence for a display screen with transitional graphical user interface showing the new design; FIG. 2 is the second image thereof;

FIG. 3 is the first image in a sequence for a display screen with transitional graphical user interface showing the new design on a device; and,

FIG. 4 is the second image thereof.

The broken line showing of the remainder of the graphical user interface and the remainder of the display screen is for environmental purposes only and forms no part of the claimed design. The appearance of the transitional graphical user interface sequentially transitions between the images shown in FIGS. 1-2 and FIGS. 3-4. The process or period in which one image transitions to another forms no part of the claimed design.

**1 Claim, 4 Drawing Sheets**



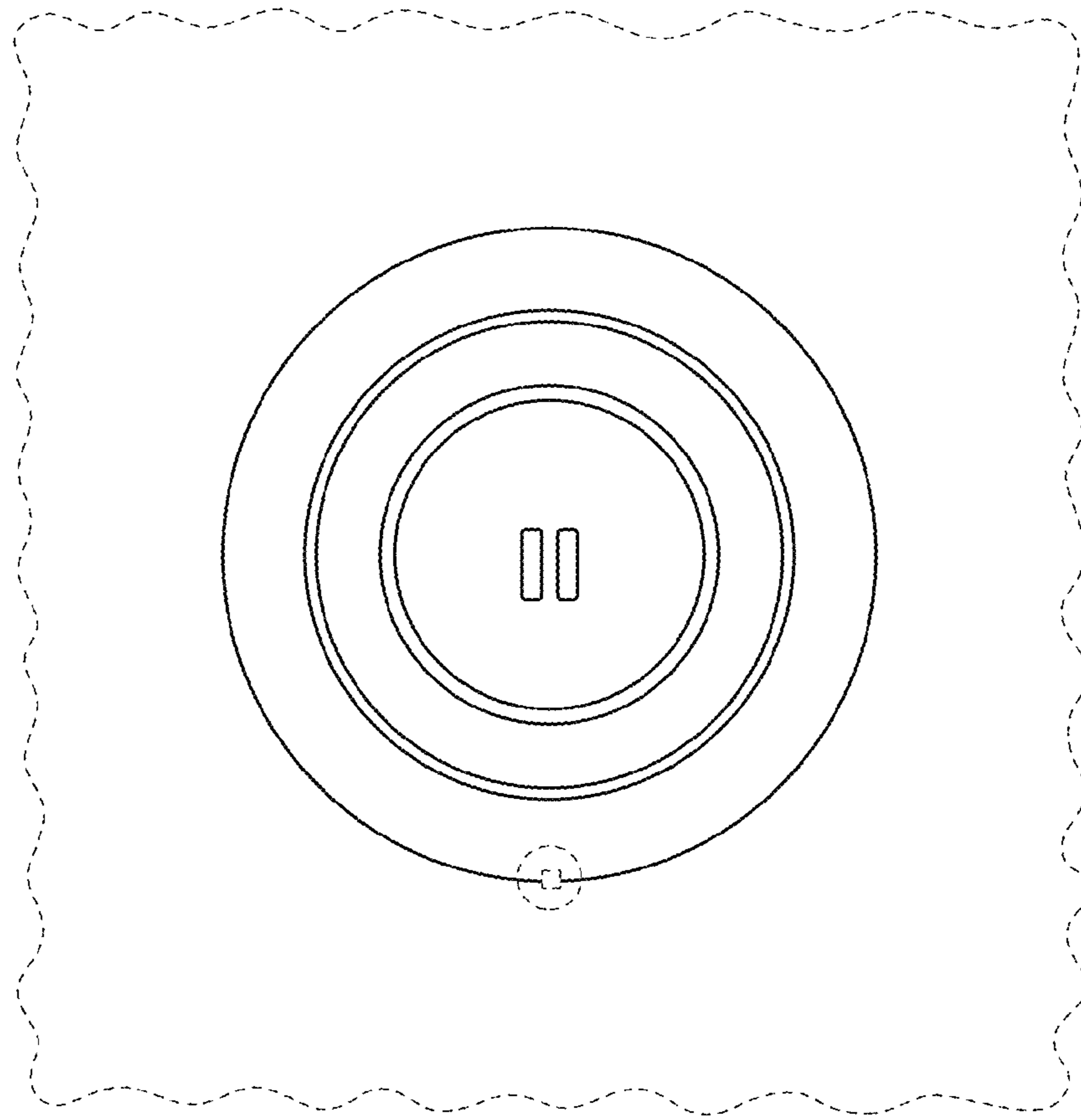


FIGURE 1

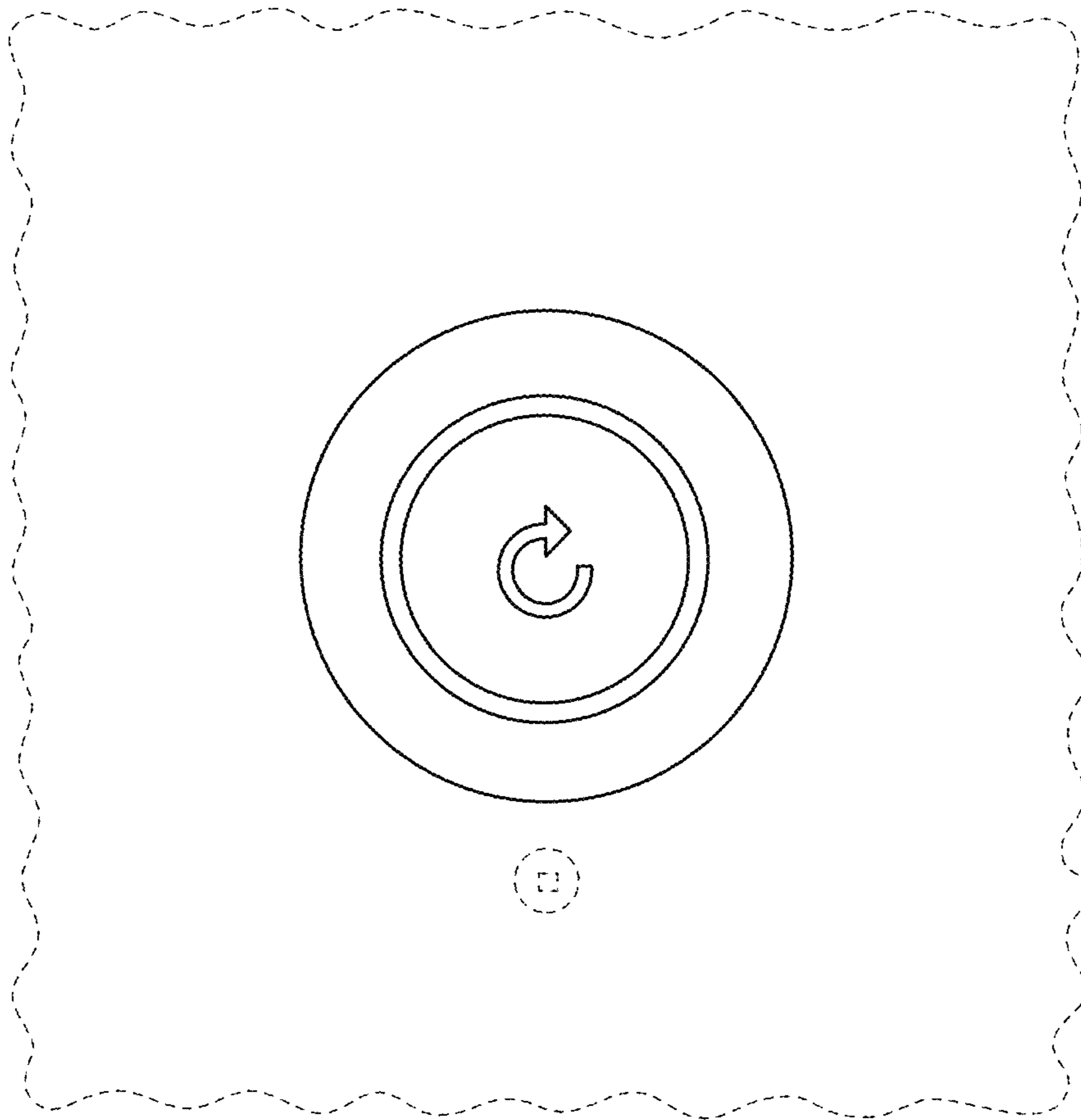


FIGURE 2

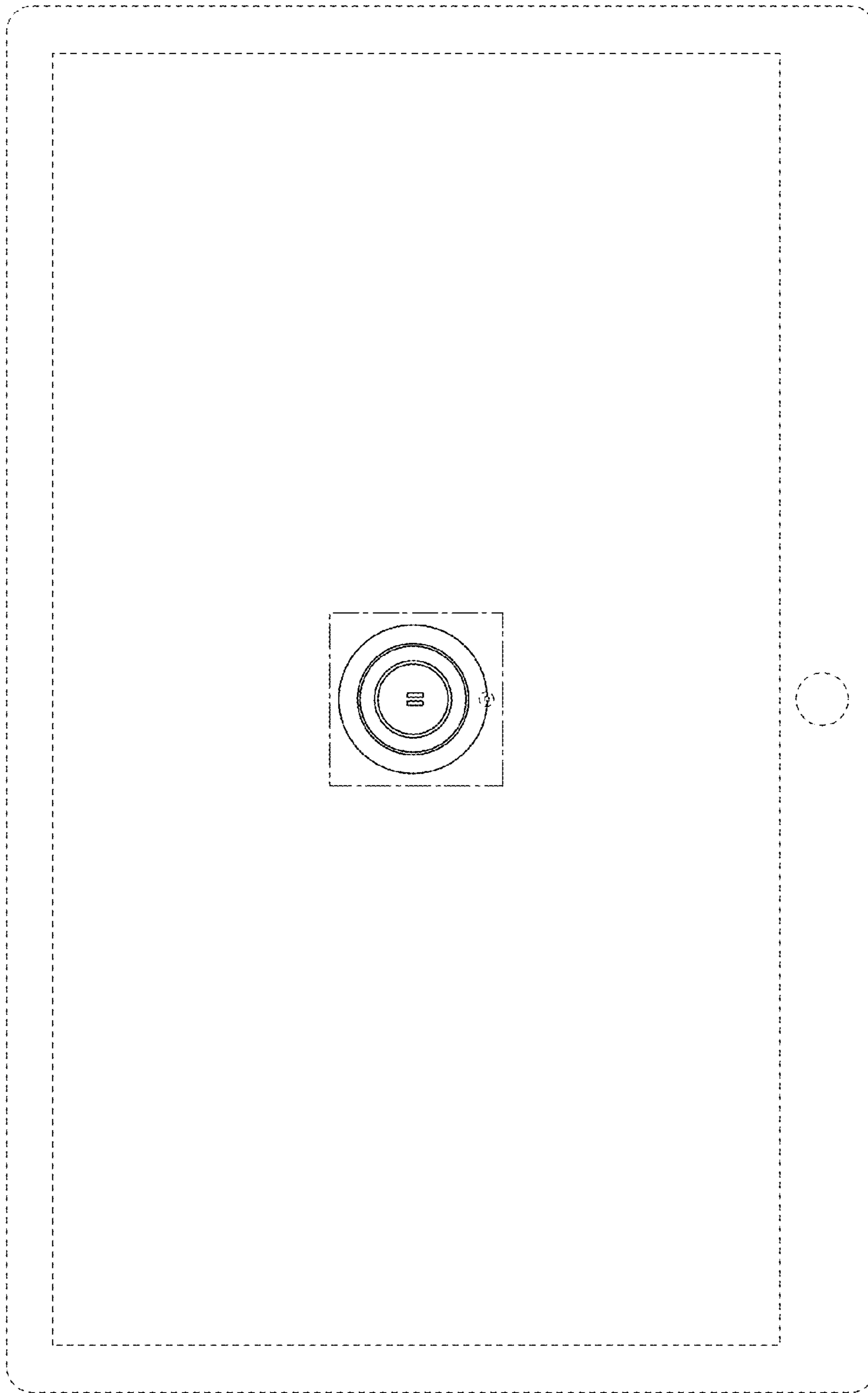


FIGURE 3

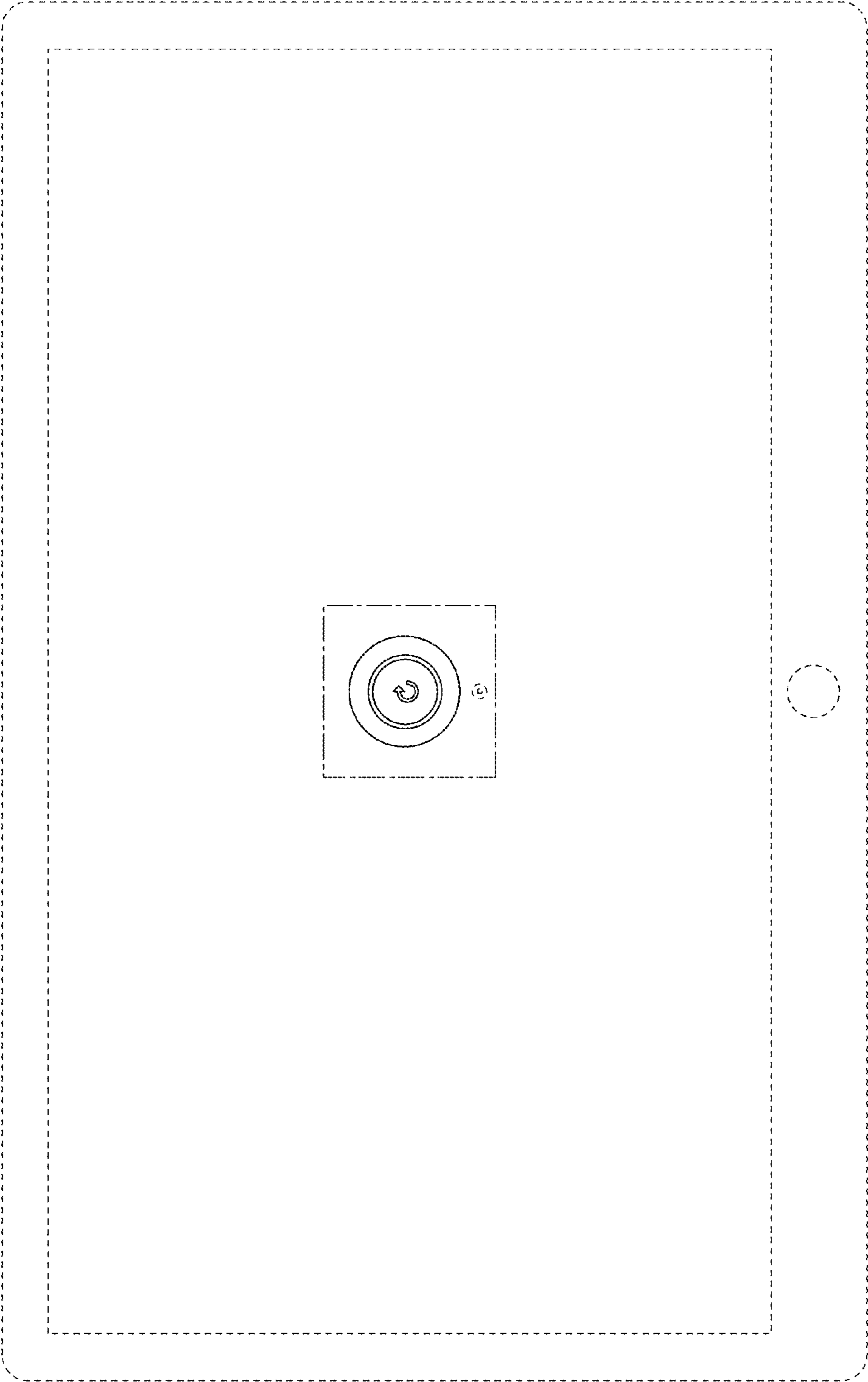


FIGURE 4