



US00D728581S

(12) **United States Design Patent**  
**Feinberg et al.**

(10) **Patent No.:** **US D728,581 S**

(45) **Date of Patent:** **\*\* May 5, 2015**

(54) **COLLAPSIBLE SUPPORT DEVICE FOR HOLDING AN OBJECT**

(71) Applicant: **Jeffrey N. Feinberg**, Vestal, NY (US)  
(72) Inventors: **Jeffrey N. Feinberg**, Vestal, NY (US);  
**Joseph Elijo Velasquez**, Fountain Hills, AZ (US); **Robert Fulbright**, Mesa, AZ (US)

(73) Assignee: **Jeffrey N. Feinberg**, Vestal, NY (US)

(\*\*) Term: **14 Years**

(21) Appl. No.: **29/496,816**

(22) Filed: **Jul. 17, 2014**

(51) **LOC (10) Cl.** ..... **08-07**

(52) **U.S. Cl.**  
USPC ..... **D14/447; D6/700**

(58) **Field of Classification Search**  
USPC ..... D14/447, 432, 434, 439, 440, 451, 452,  
D14/239, 251, 253, 217, 374, 375;  
D6/406.3, 406.4, 406.5, 601; D3/218;  
D12/415; 248/917-924, 445, 447, 451,  
248/455, 460, 150, 188.6, 176.1;  
361/679.09, 679.21, 679.22, 679.26,  
361/679.3, 679.55, 679.56

See application file for complete search history.

(56) **References Cited**

**U.S. PATENT DOCUMENTS**

4,555,128	A	11/1985	White et al.	
D358,611	S *	5/1995	Dainoff et al.	D19/88
D399,368	S *	10/1998	Herrera	D6/419
D435,360	S *	12/2000	Gentile et al.	D6/419
D451,292	S *	12/2001	Cheris et al.	D6/349
D590,404	S *	4/2009	Kim et al.	D14/447
D603,171	S *	11/2009	Chang	D6/312
D648,727	S *	11/2011	Van Den Nieuwenhuizen et al.	D14/447
D666,174	S *	8/2012	Du et al.	D14/217
D667,831	S *	9/2012	Stravitz	D14/447
D697,069	S *	1/2014	Tak et al.	D14/447

D705,785 S \* 5/2014 Wang ..... D14/447  
8,800,937 B1 \* 8/2014 Lee et al. .... 248/65  
2014/0183323 A1 \* 7/2014 Sheldon ..... 248/455

\* cited by examiner

*Primary Examiner* — Angela J Lee

(74) *Attorney, Agent, or Firm* — Foley & Lardner LLP

(57) **CLAIM**

The ornamental design for a collapsible support device for holding an object, as shown and described.

**DESCRIPTION**

FIG. 1 is a perspective top view of a collapsible support device according to a first embodiment of our new design, in a closed position;

FIG. 2 is a top view of the collapsible support device shown in FIG. 1, in a closed position;

FIG. 3 is a perspective bottom view of the collapsible support device shown in FIG. 1, in a closed position;

FIG. 4 is a left view of the collapsible support device shown in FIG. 1, in a closed position;

FIG. 5 is a right view of the collapsible support device shown in FIG. 1, in a closed position;

FIG. 6 is a rear view of the collapsible support device shown in FIG. 1, in a closed position;

FIG. 7 is a front view of the collapsible support device shown in FIG. 1, in a closed position;

FIG. 8 is a front, left perspective view of the collapsible support device shown in FIG. 1, in an open position;

FIG. 9 is a rear, left perspective view of the collapsible support device shown in FIG. 1, in an open position;

FIG. 10 is a front, right perspective view of the collapsible support device shown in FIG. 1, in an open position;

FIG. 11 is a rear, right perspective view of the collapsible support device shown in FIG. 1, in an open position;

FIG. 12 is a perspective top view of a collapsible support device according to a second embodiment of our new design, in a closed position;

FIG. 13 is a top view of the collapsible support device shown in FIG. 12, in a closed position;

FIG. 14 is a perspective bottom view of the collapsible support device shown in FIG. 12, in a closed position;

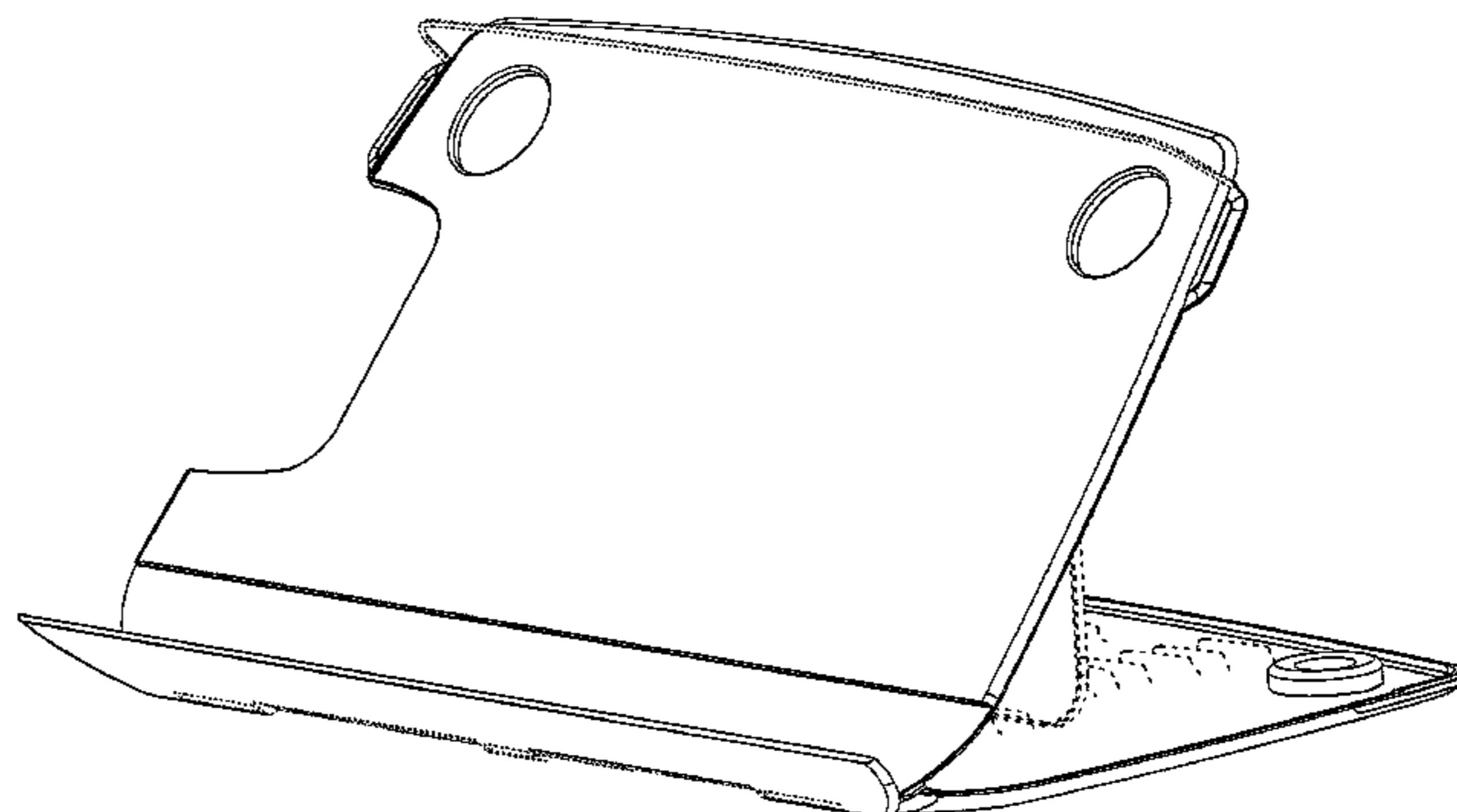
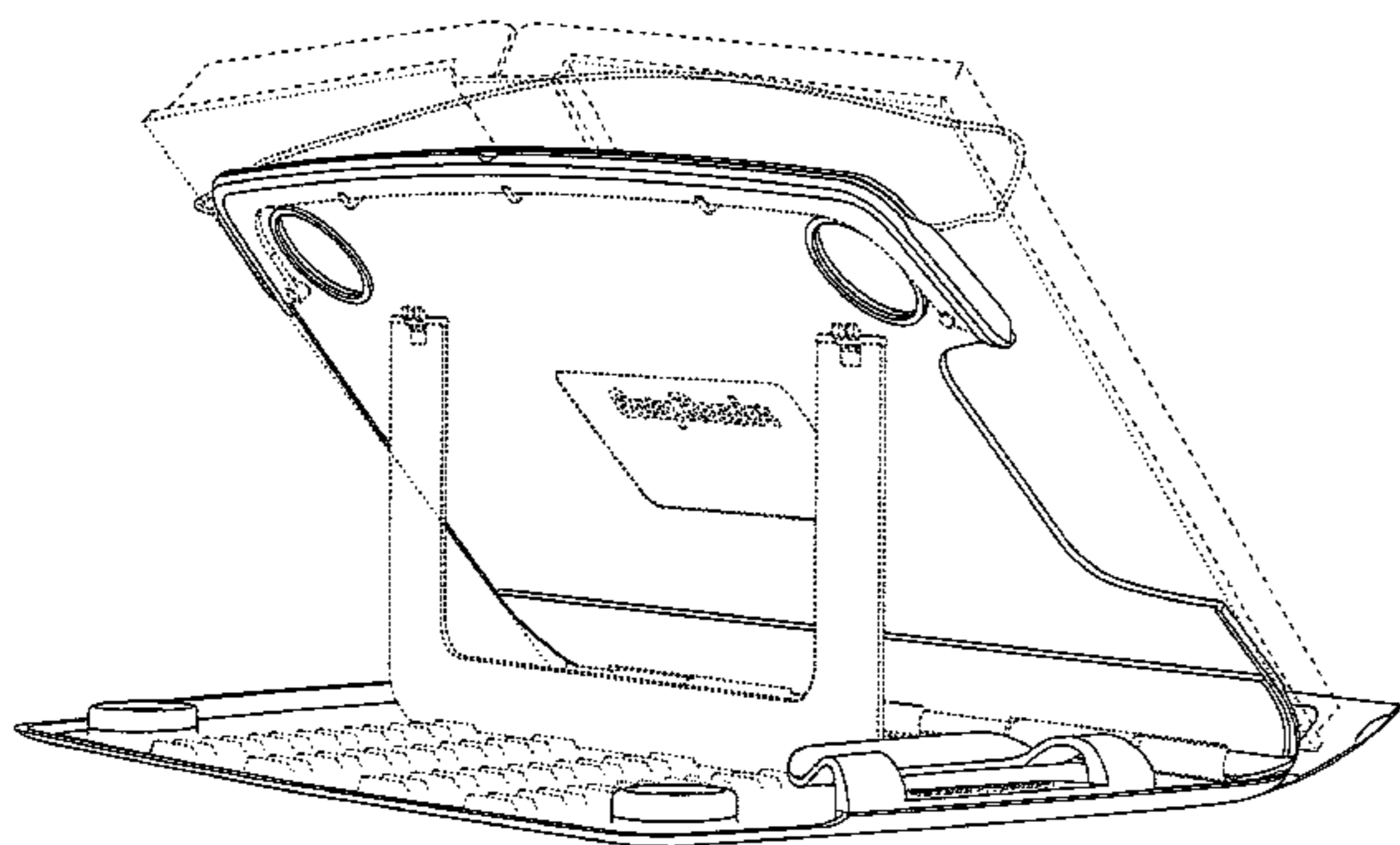


FIG. 15 is a left view of the collapsible support device shown in FIG. 12, in a closed position;  
FIG. 16 is a right view of the collapsible support device shown in FIG. 12, in a closed position;  
FIG. 17 is a rear view of the collapsible support device shown in FIG. 12, in a closed position;  
FIG. 18 is a front view of the collapsible support device shown in FIG. 12, in a closed position;  
FIG. 19 is a front, left perspective view of the collapsible support device shown in FIG. 12, in an open position;  
FIG. 20 is a rear, left perspective view of the collapsible support device shown in FIG. 12, in an open position;

FIG. 21 is a front, right perspective view of the collapsible support device shown in FIG. 12, in an open position; and,  
FIG. 22 is a rear, right perspective view of the collapsible support device shown in FIG. 12, in an open position.  
The ornamental design which is claimed is shown in solid lines in the drawings. The broken lines in the drawings are for illustrative purposes only and form no part of the claimed design.

**1 Claim, 22 Drawing Sheets**

FIG. 1

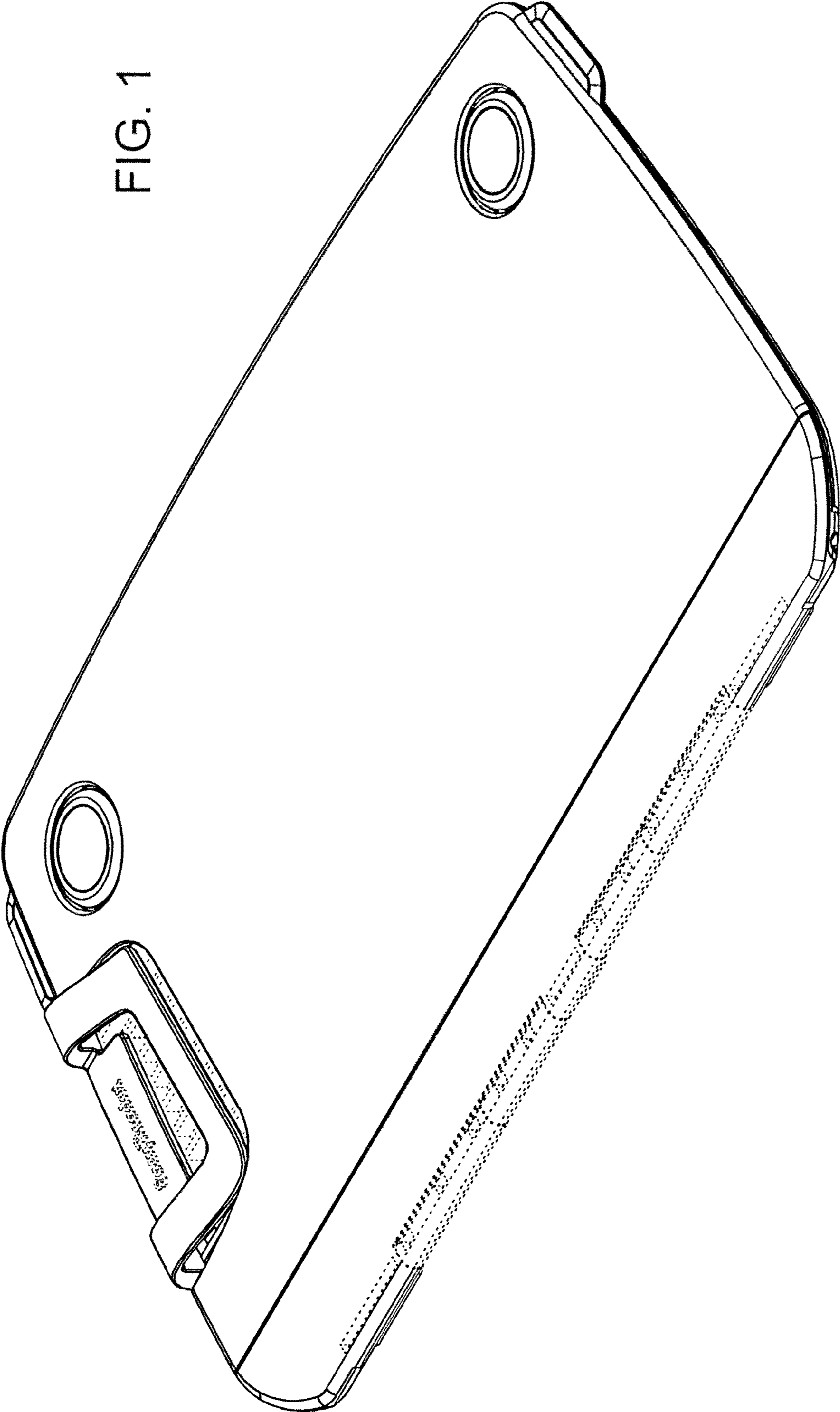


FIG. 2

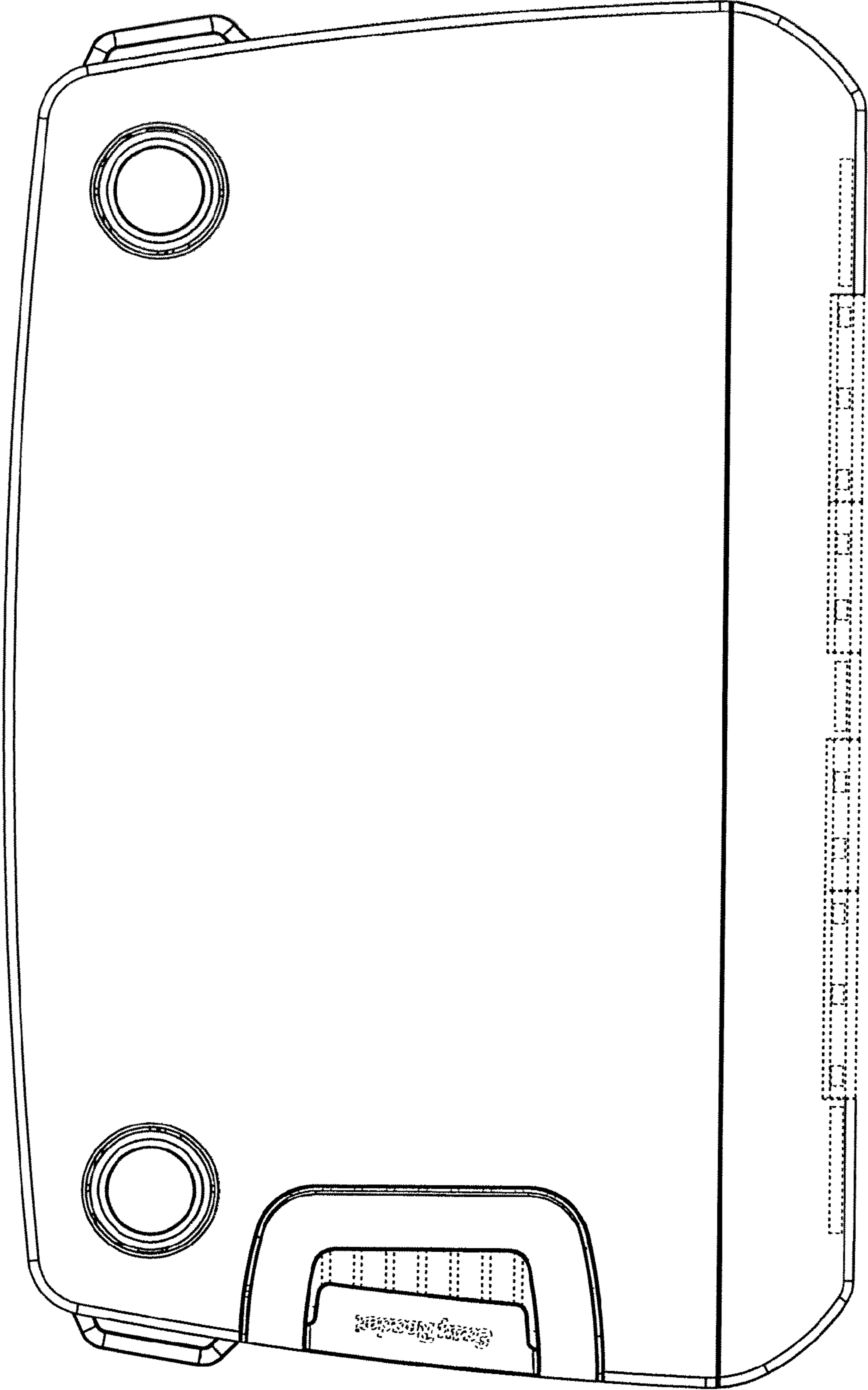
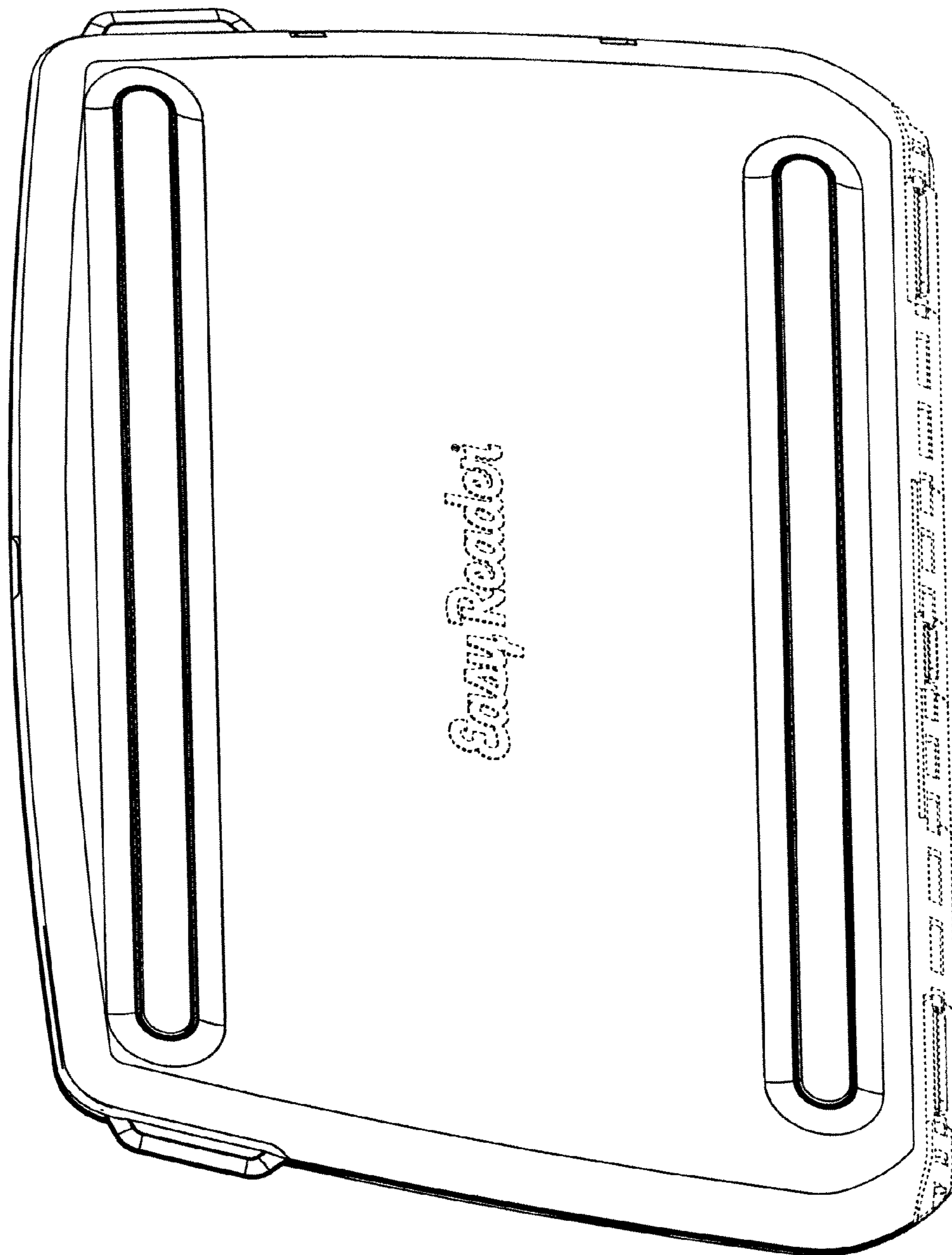


FIG. 3



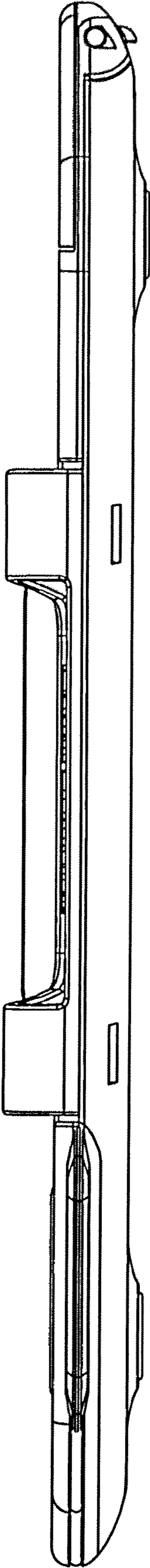


FIG. 4

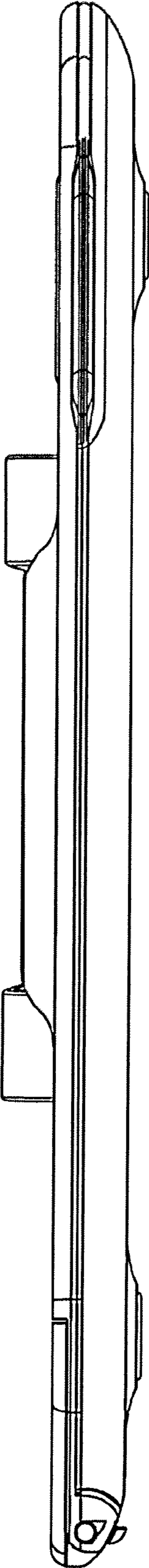


FIG. 5

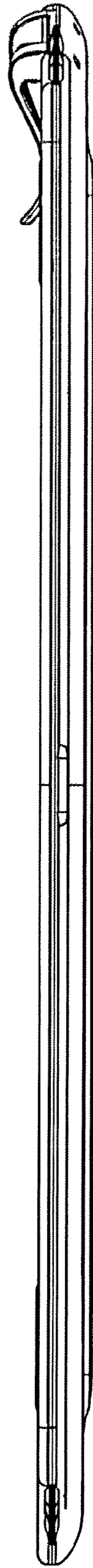


FIG. 6



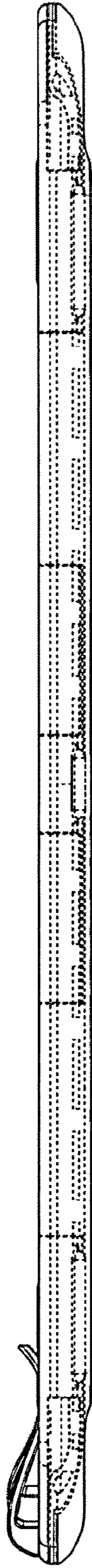
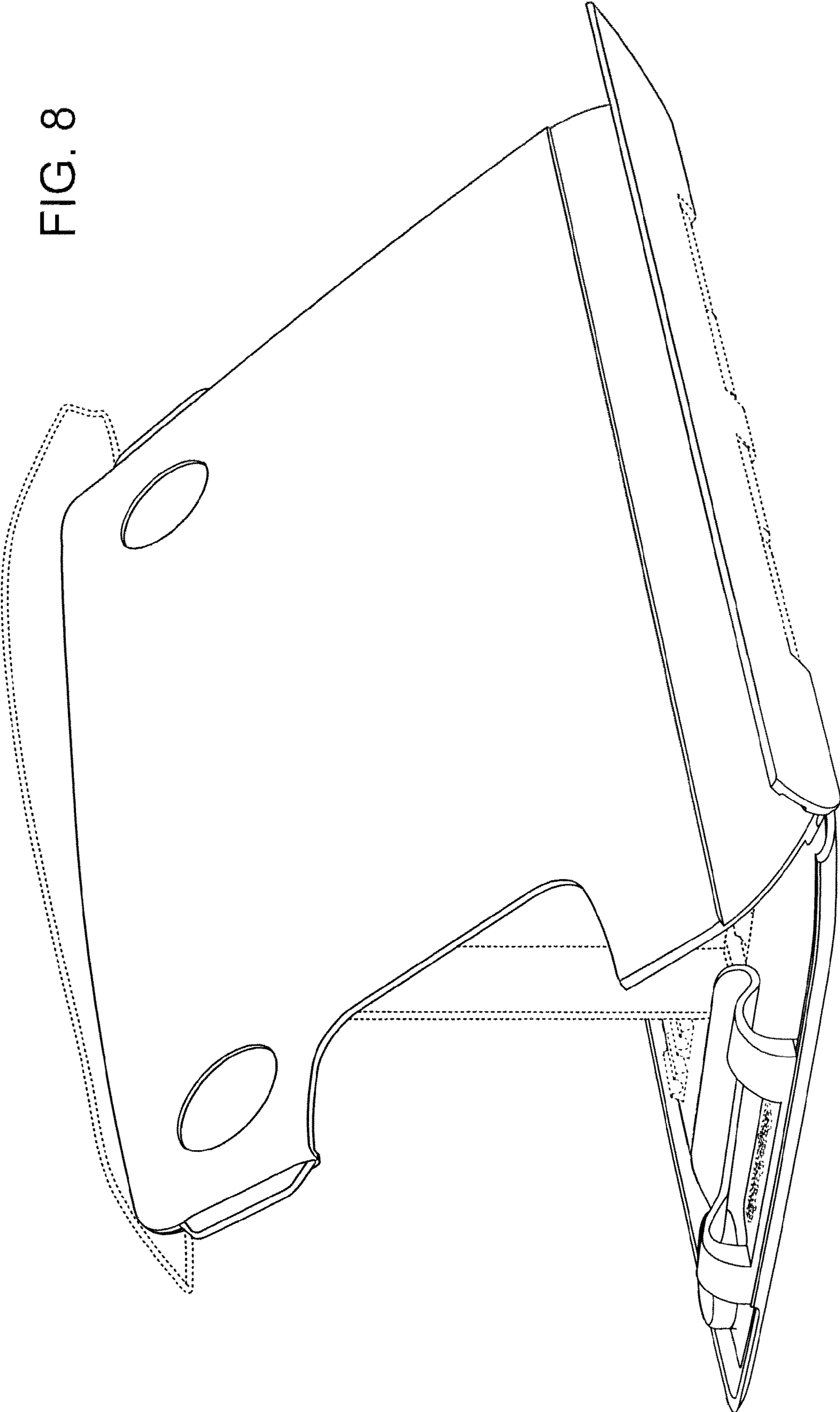


FIG. 7

FIG. 8



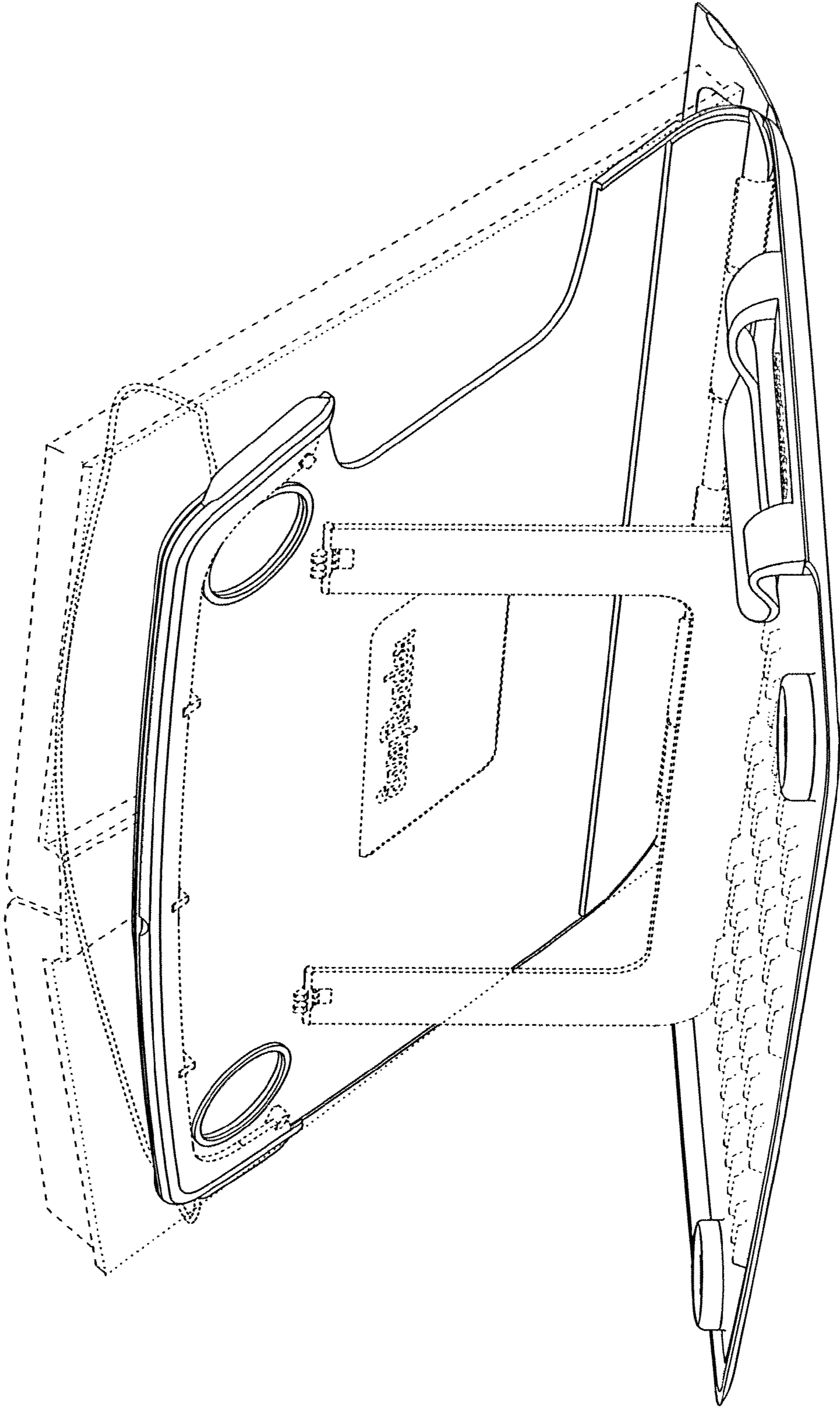


FIG. 9

FIG. 10

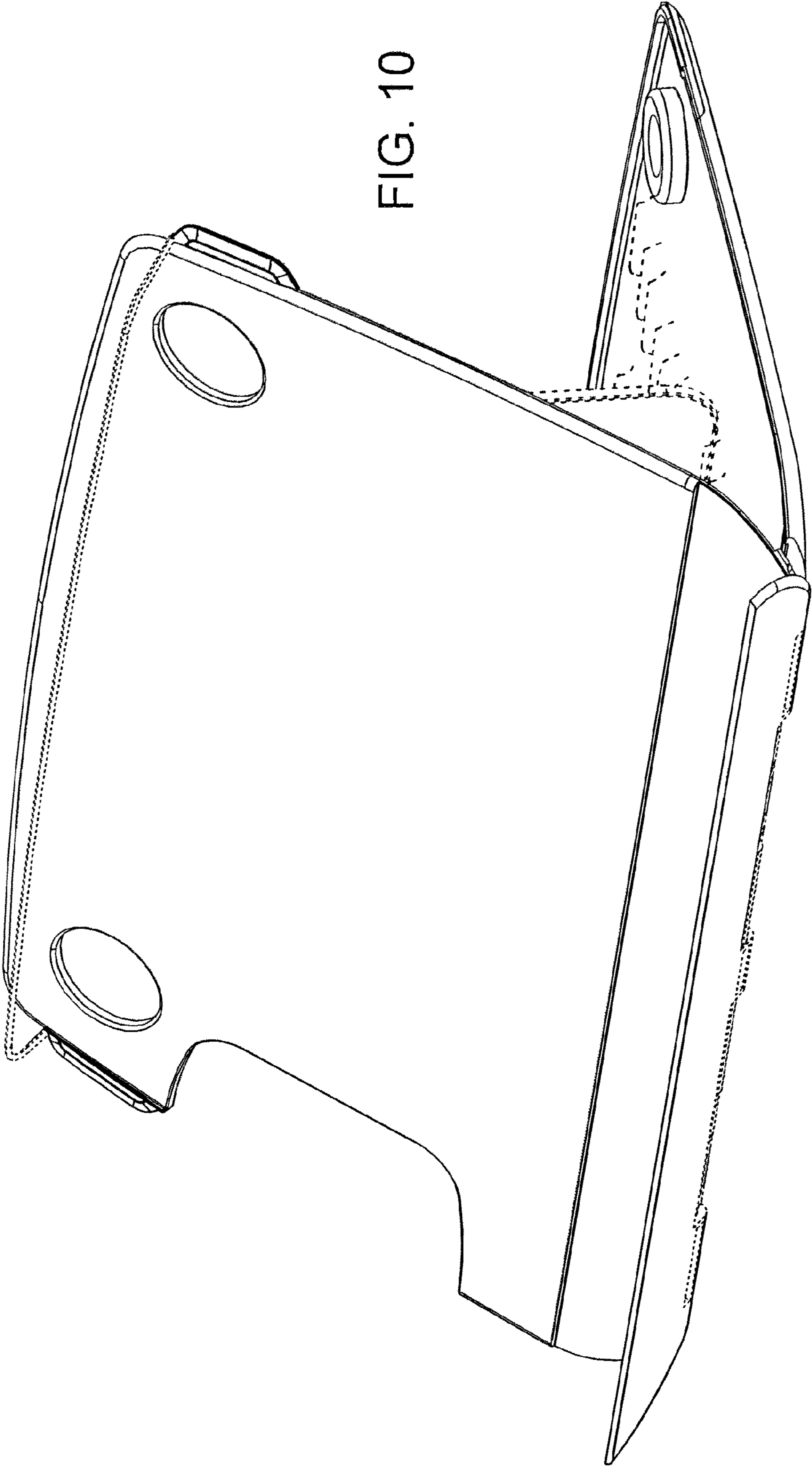


FIG. 11

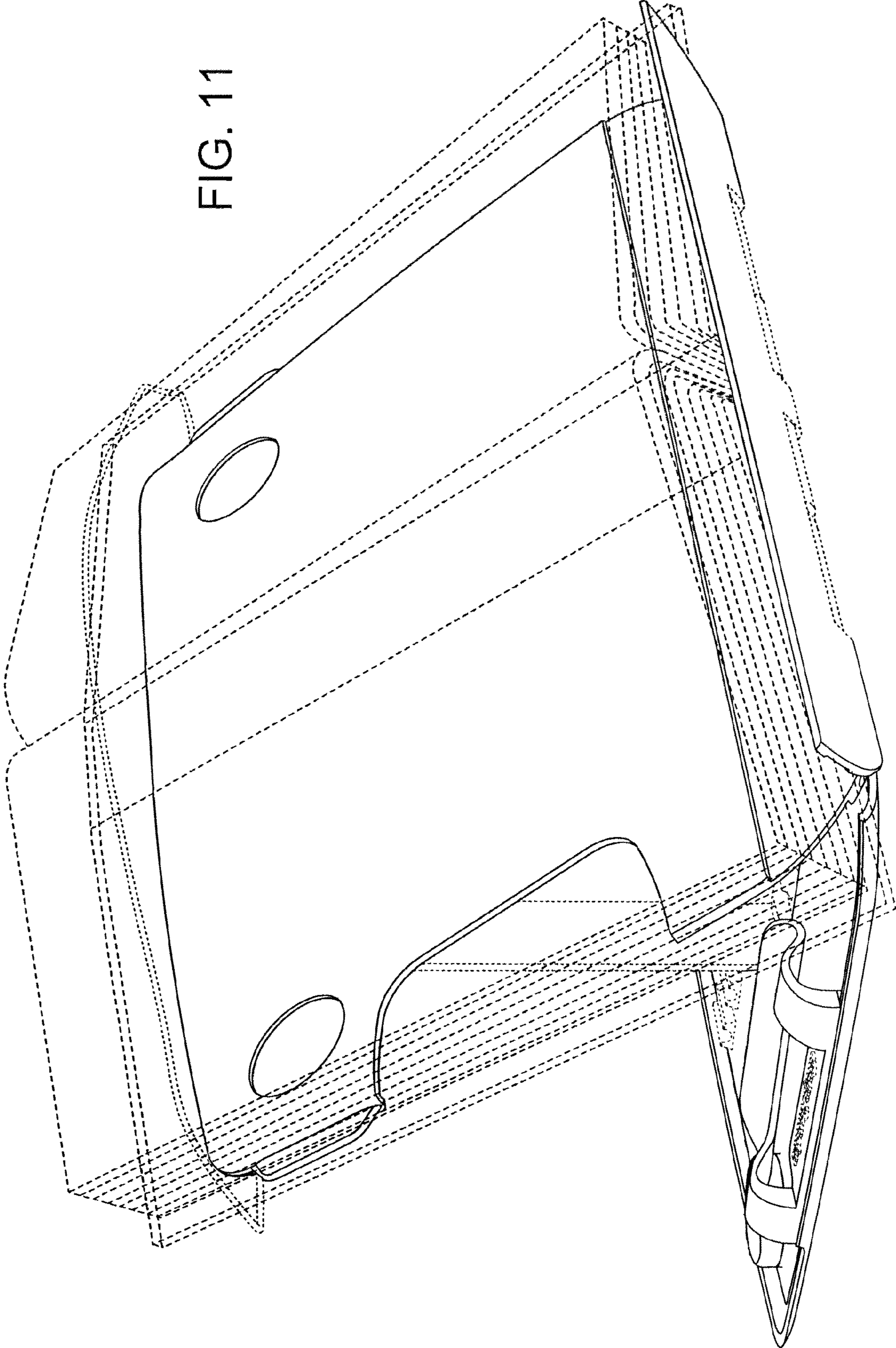


FIG. 12

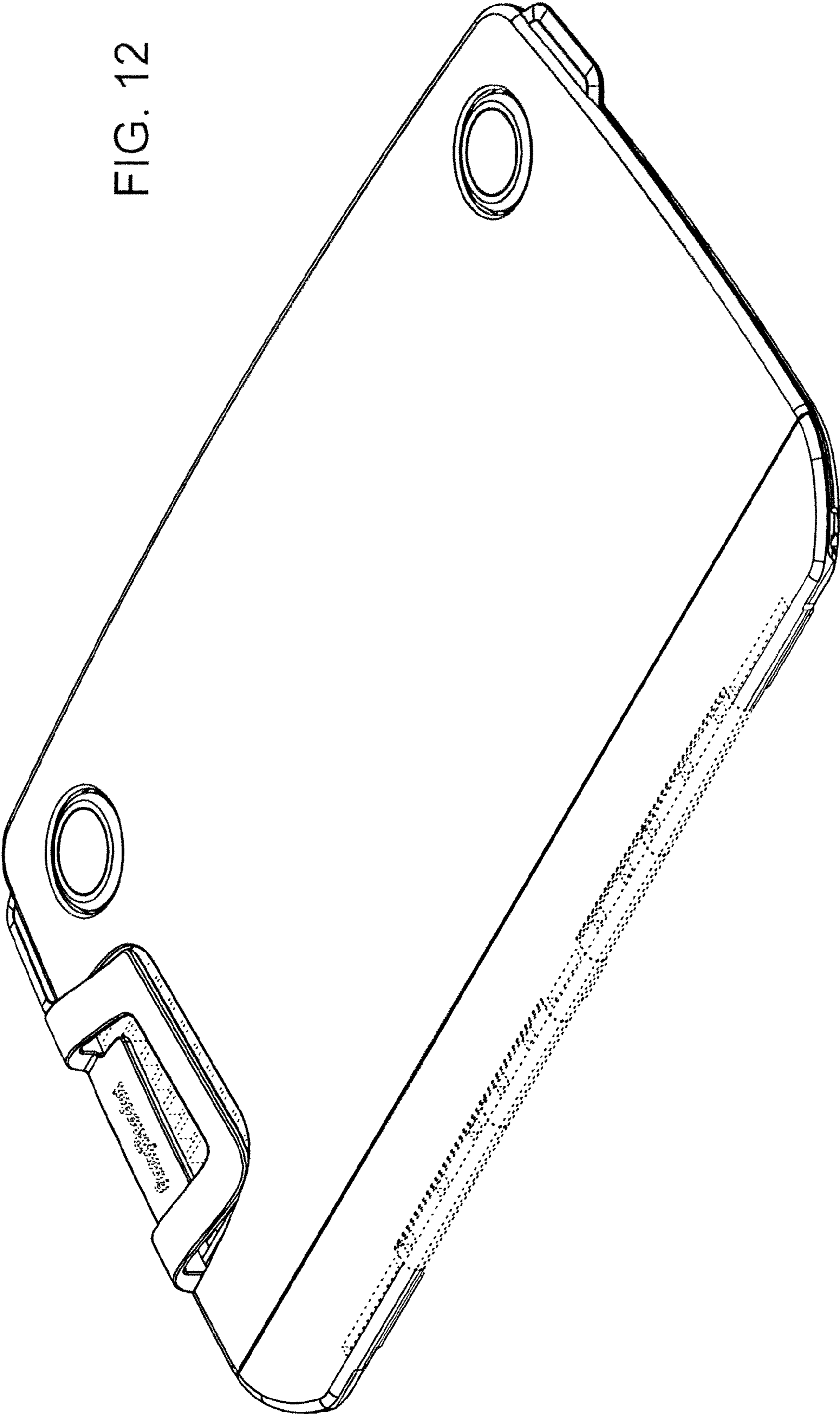


FIG. 13

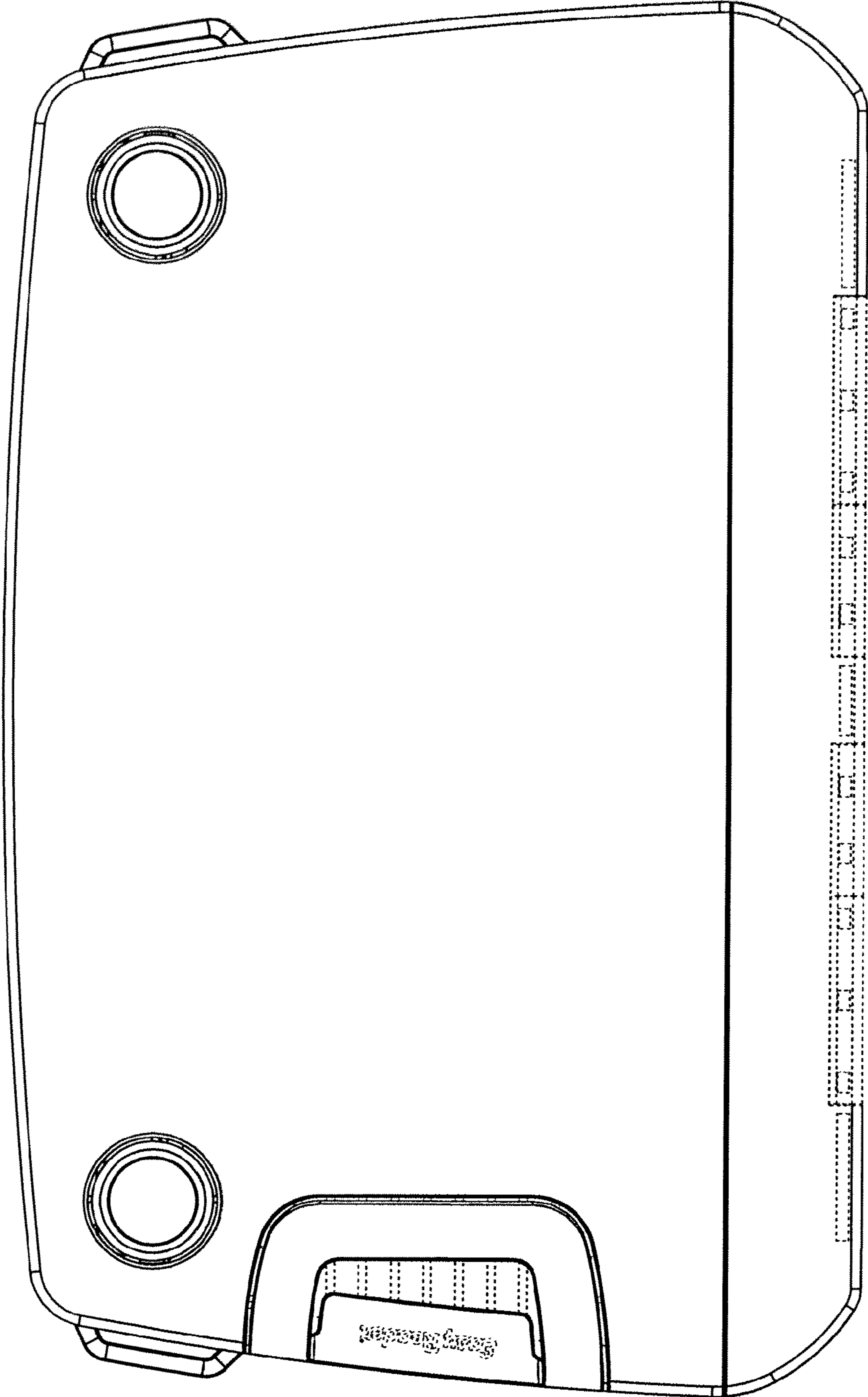
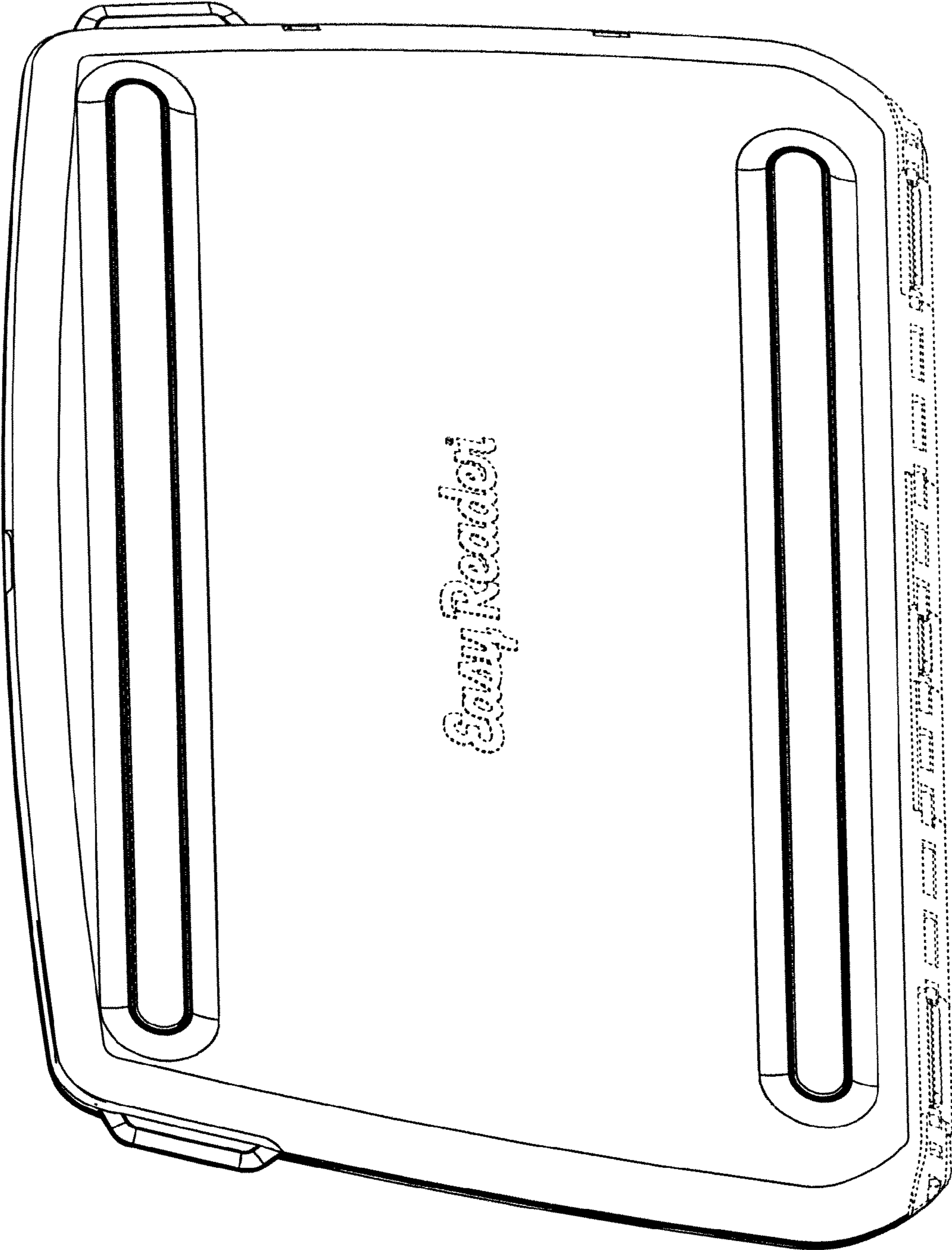


FIG. 14





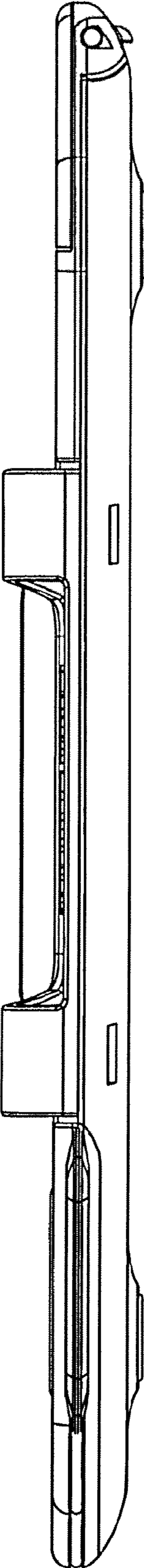


FIG. 15

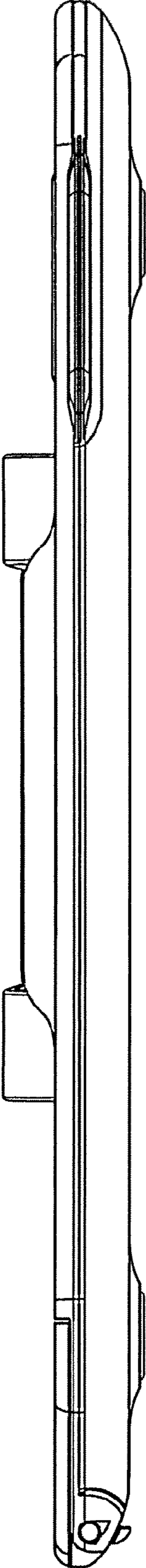


FIG. 16

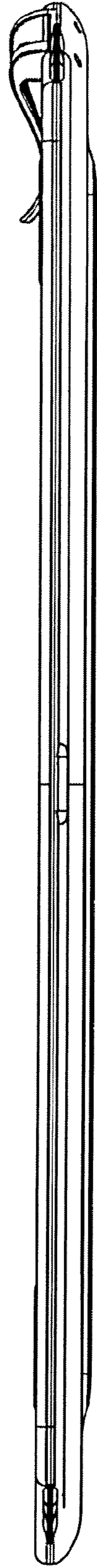


FIG. 17

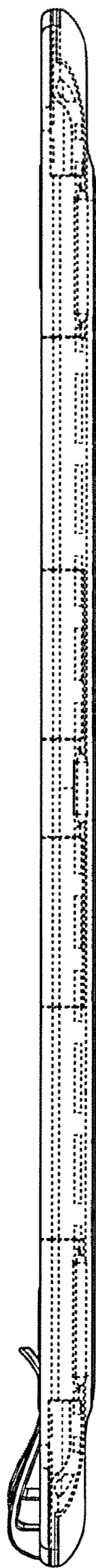
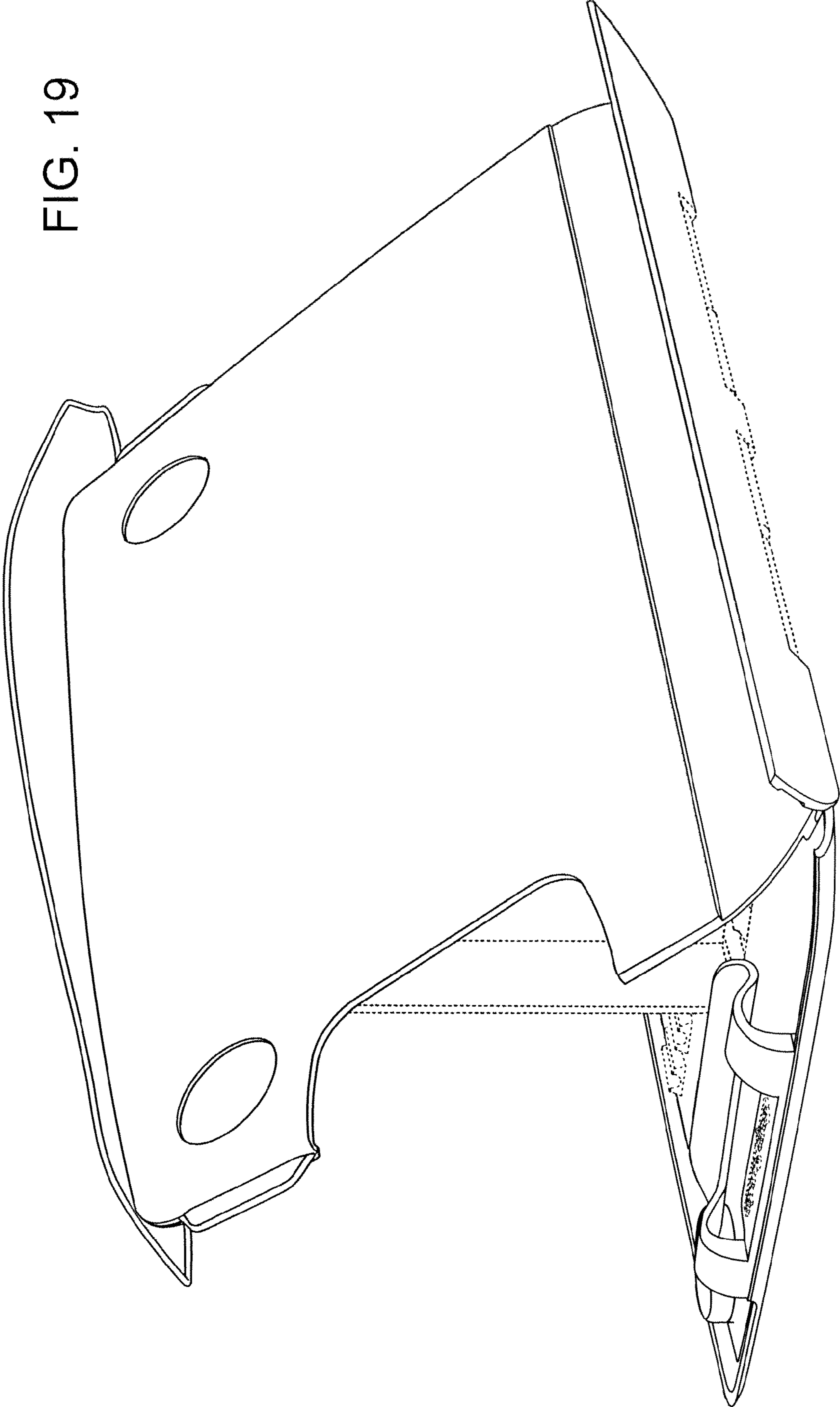


FIG. 18

FIG. 19



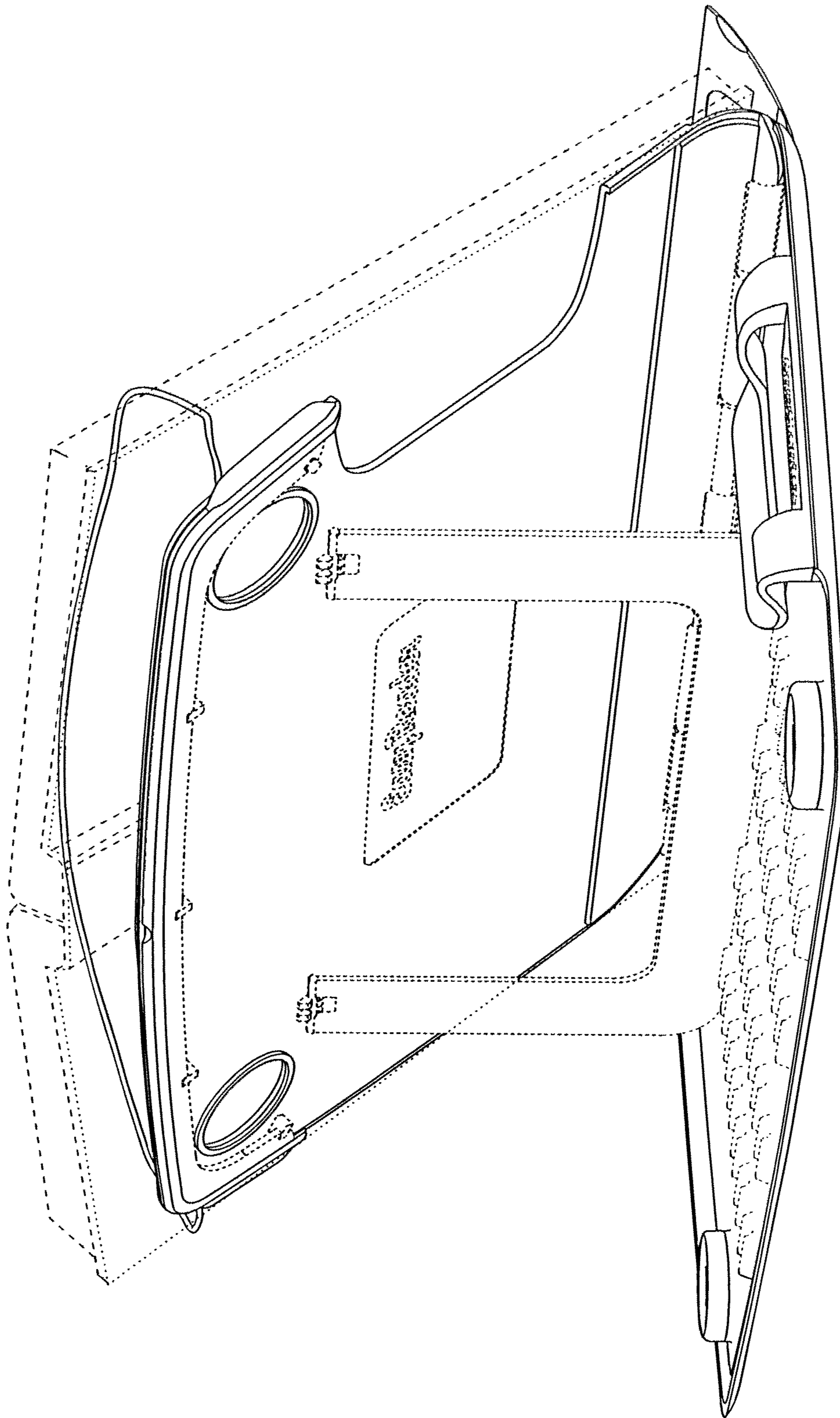


FIG. 20

FIG. 21

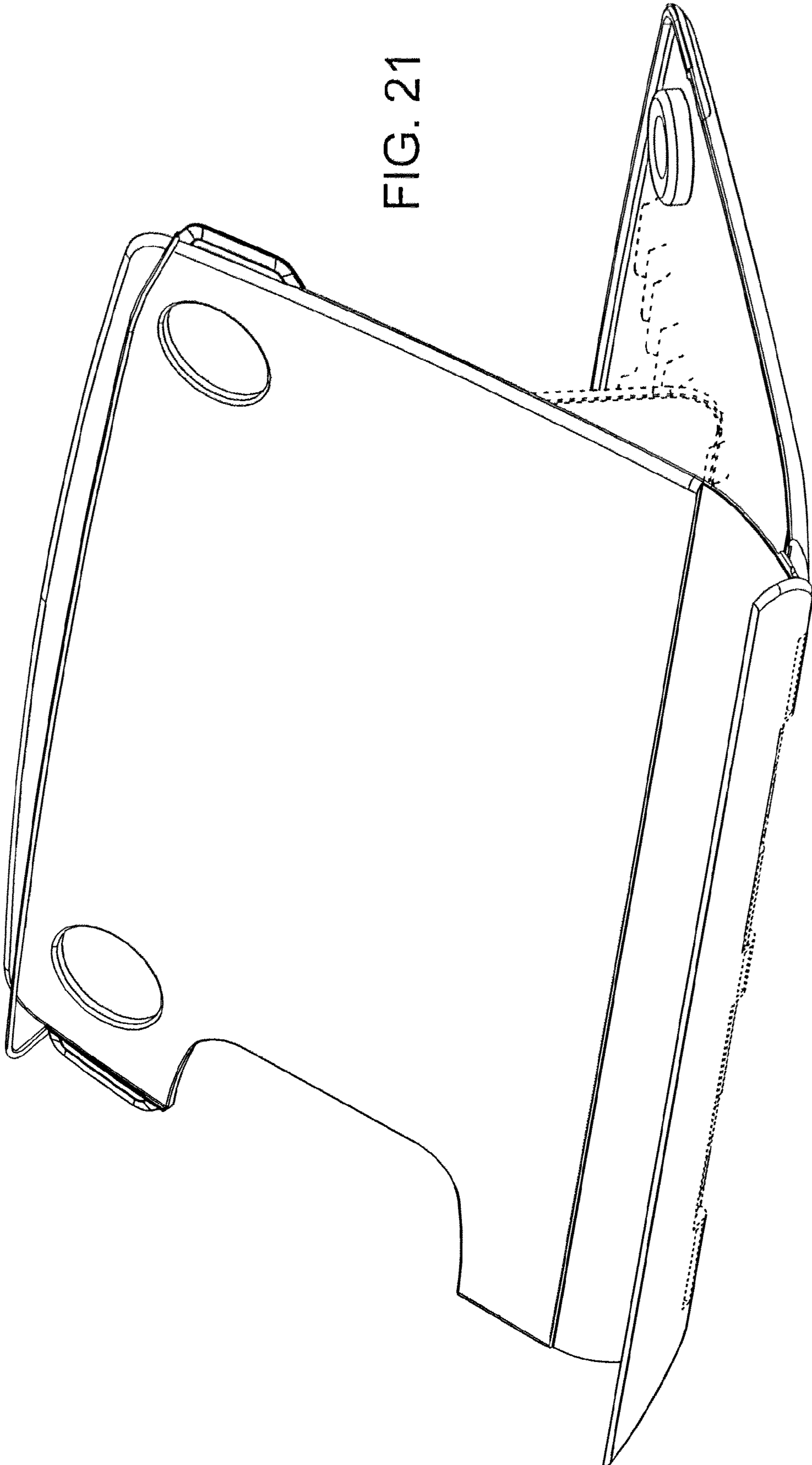


FIG. 22

