



US00D728576S

(12) **United States Design Patent**
David et al.

(10) **Patent No.:** **US D728,576 S**
(45) **Date of Patent:** **** May 5, 2015**

(54) **DOCKING STATION FOR TABLET
PERSONAL COMPUTER**

(71) Applicant: **Samsung Electronics, Ltd.**, Suwon-Si
(KR)

(72) Inventors: **Michael David**, London (GB); **Robert
Stevenson**, London (GB); **Hyuntaik
Lim**, London (GB)

(73) Assignee: **Samsung Electronics Co., Ltd.**,
Suwon-si (KR)

(**) Term: **14 Years**

(21) Appl. No.: **29/469,539**

(22) Filed: **Oct. 11, 2013**

(30) **Foreign Application Priority Data**

Apr. 11, 2013 (KR) 30-2013-0018981

(51) **LOC (10) Cl.** **14-02**

(52) **U.S. Cl.**
USPC **D14/434**

(58) **Field of Classification Search**
USPC D14/217, 432, 434; D8/373; D13/107,
D13/108, 146; 248/176.1; 320/109,
320/112-115; 361/679.4, 679.31-679.33,
361/679.41, 679.43, 679.55; 455/557;
710/15, 303

See application file for complete search history.

(56) **References Cited**

U.S. PATENT DOCUMENTS

D542,279 S *	5/2007	Chan	D14/216
D570,847 S *	6/2008	Chern	D14/434
D585,898 S *	2/2009	Skurdal	D14/434
D598,374 S *	8/2009	Sasada	D13/108
D645,047 S *	9/2011	Wike	D14/447
D687,437 S *	8/2013	Hagenauer	D14/434

* cited by examiner

Primary Examiner — Freda S Nunn

(74) *Attorney, Agent, or Firm* — NSIP Law

(57) **CLAIM**

The ornamental design for a docking station for tablet personal computer, as shown and described.

DESCRIPTION

FIG. 1 is a front perspective view of a docking station for tablet personal computer showing our new design;

FIG. 2 is a front view thereof;

FIG. 3 is a rear view thereof;

FIG. 4 is a left-side view thereof;

FIG. 5 is a right-side view thereof;

FIG. 6 is a top view thereof;

FIG. 7 is a bottom view thereof;

FIG. 8 is a right-side view thereof, in which the docking station is shown in an example environment; and,

FIG. 9 is another right-side view thereof, in which the docking station is shown in an example environment.

The broken lines are for environmental purposes only and form no part of the claimed design.

1 Claim, 9 Drawing Sheets

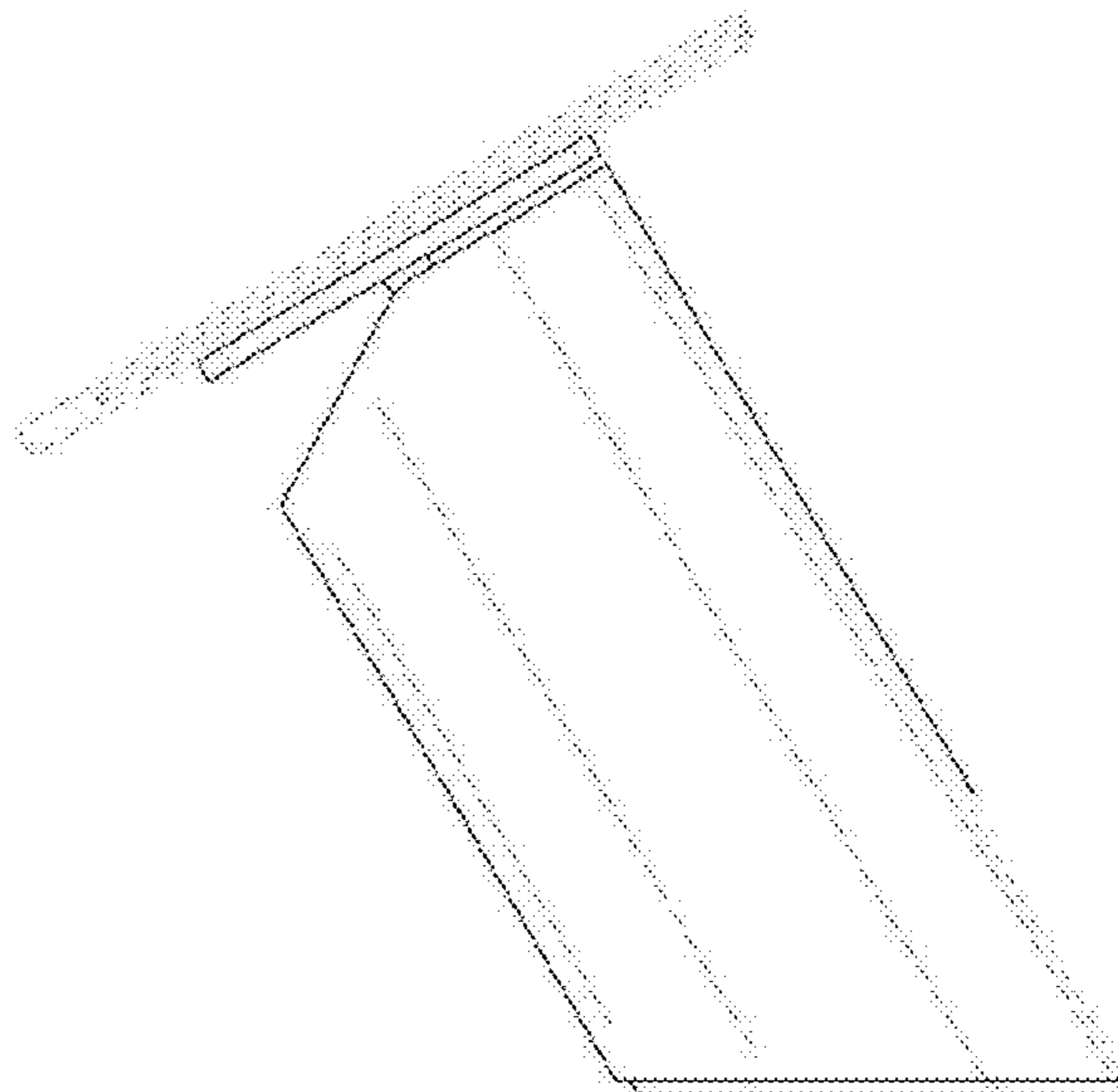
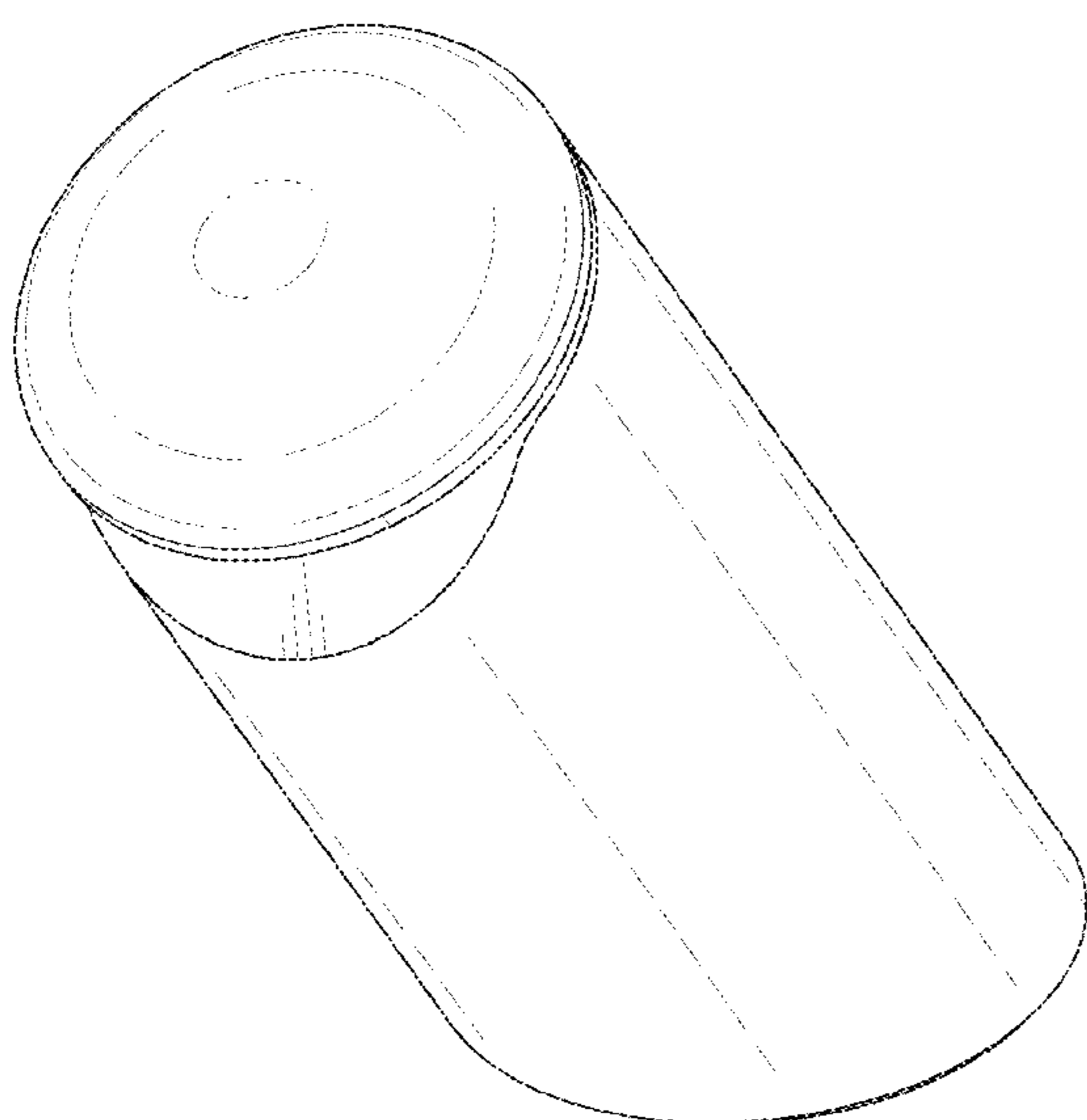


FIG. 1

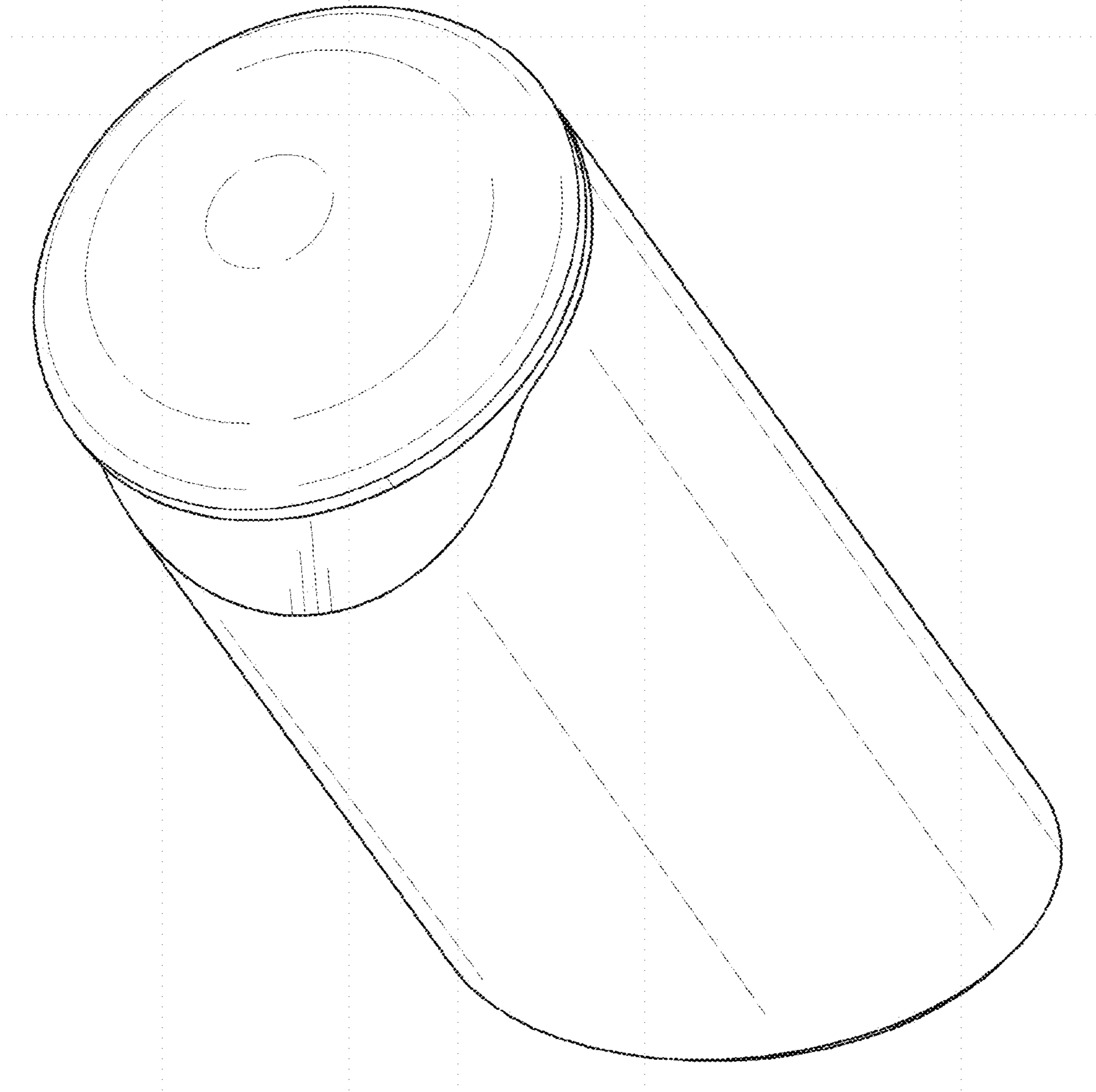


FIG. 2

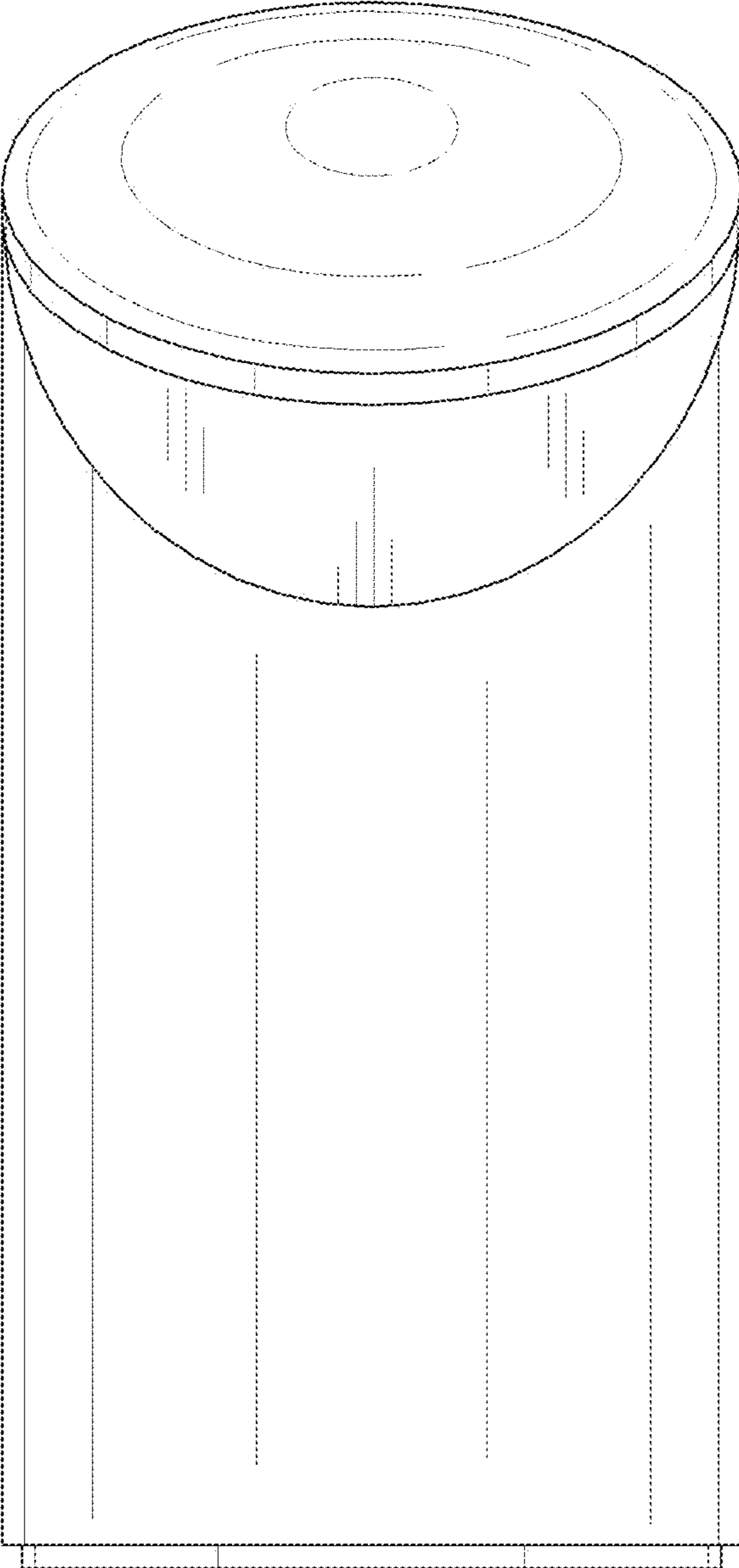


FIG. 3

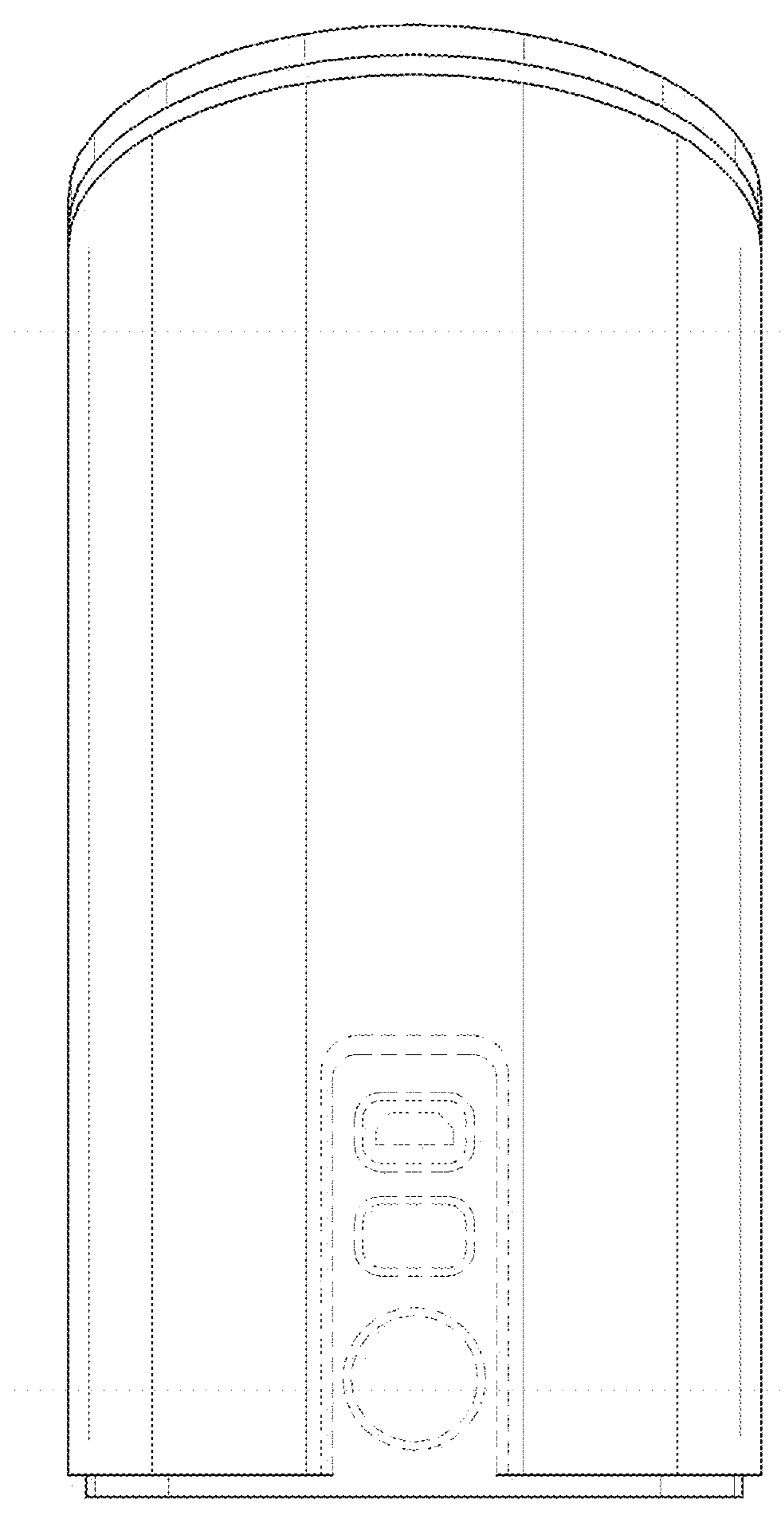


FIG. 4

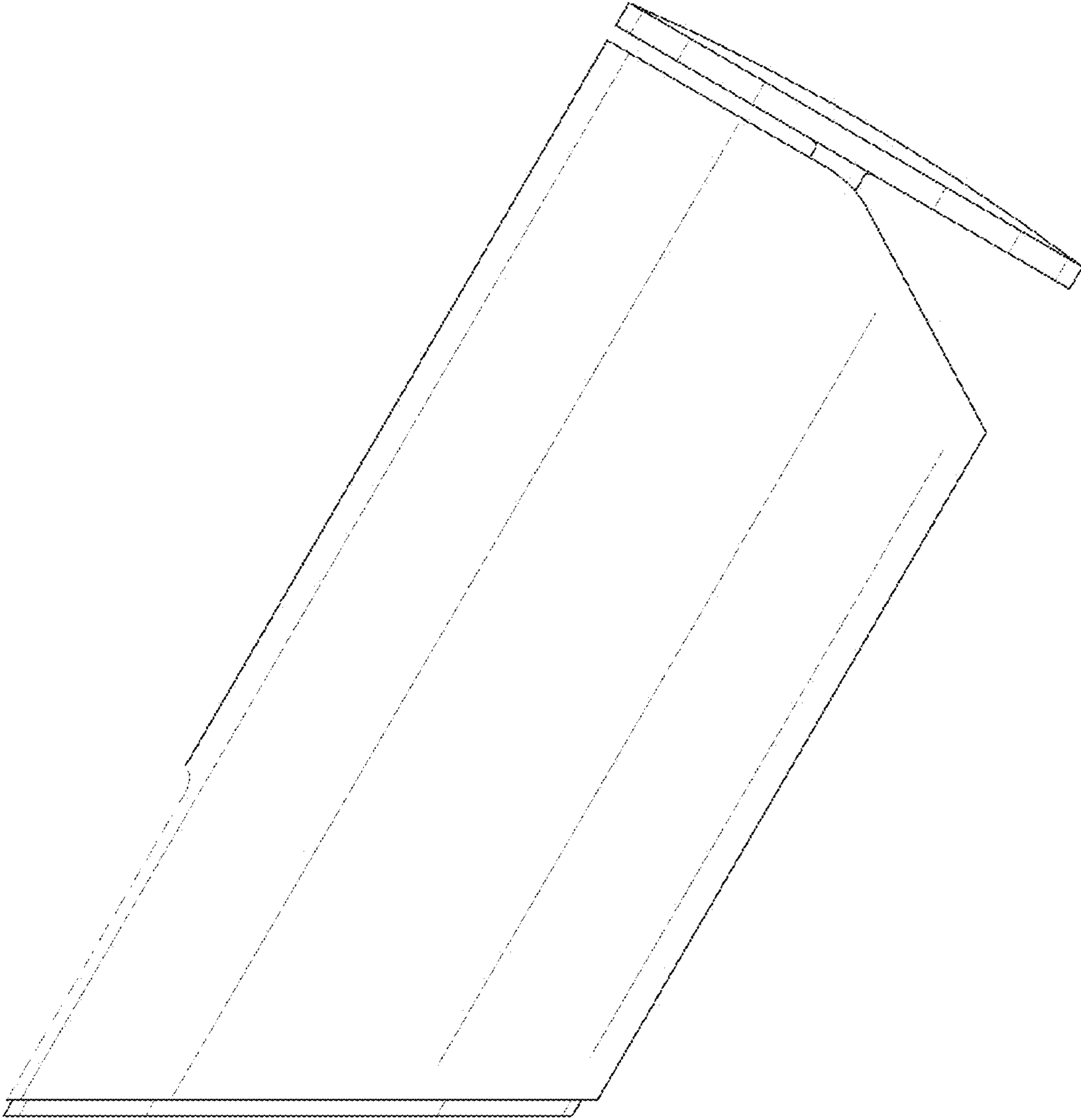


FIG. 5

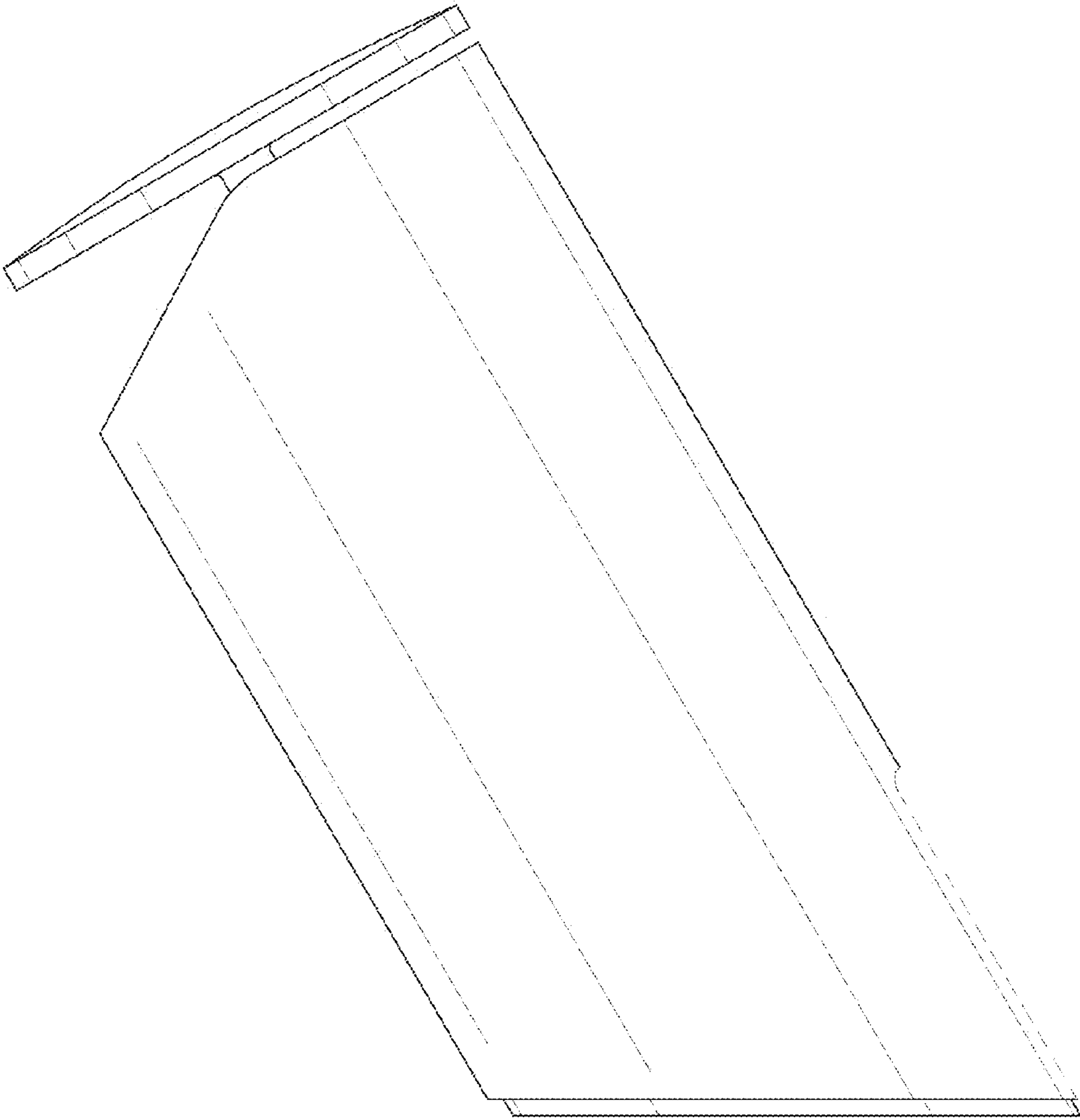


FIG. 6

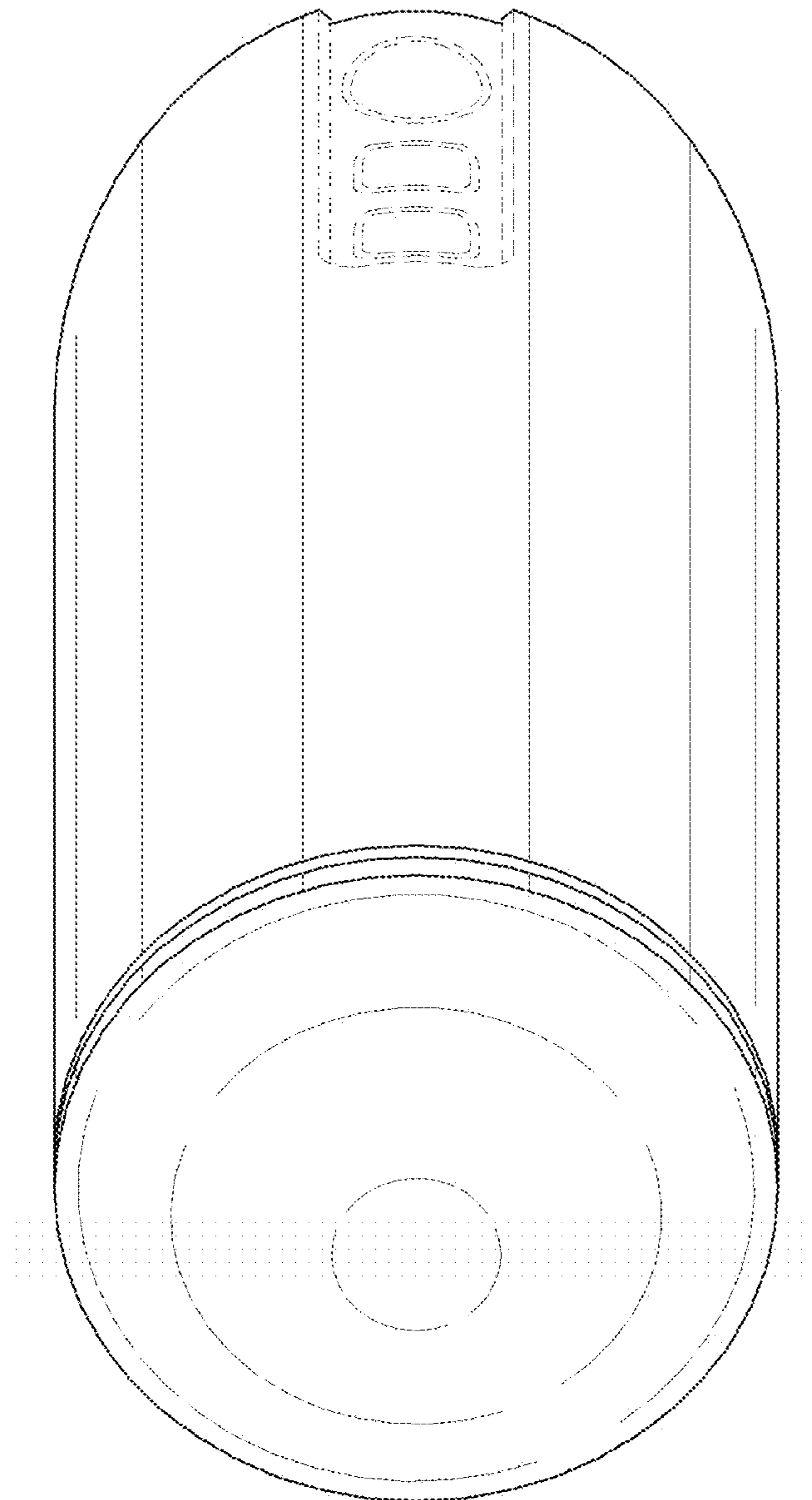


FIG. 7

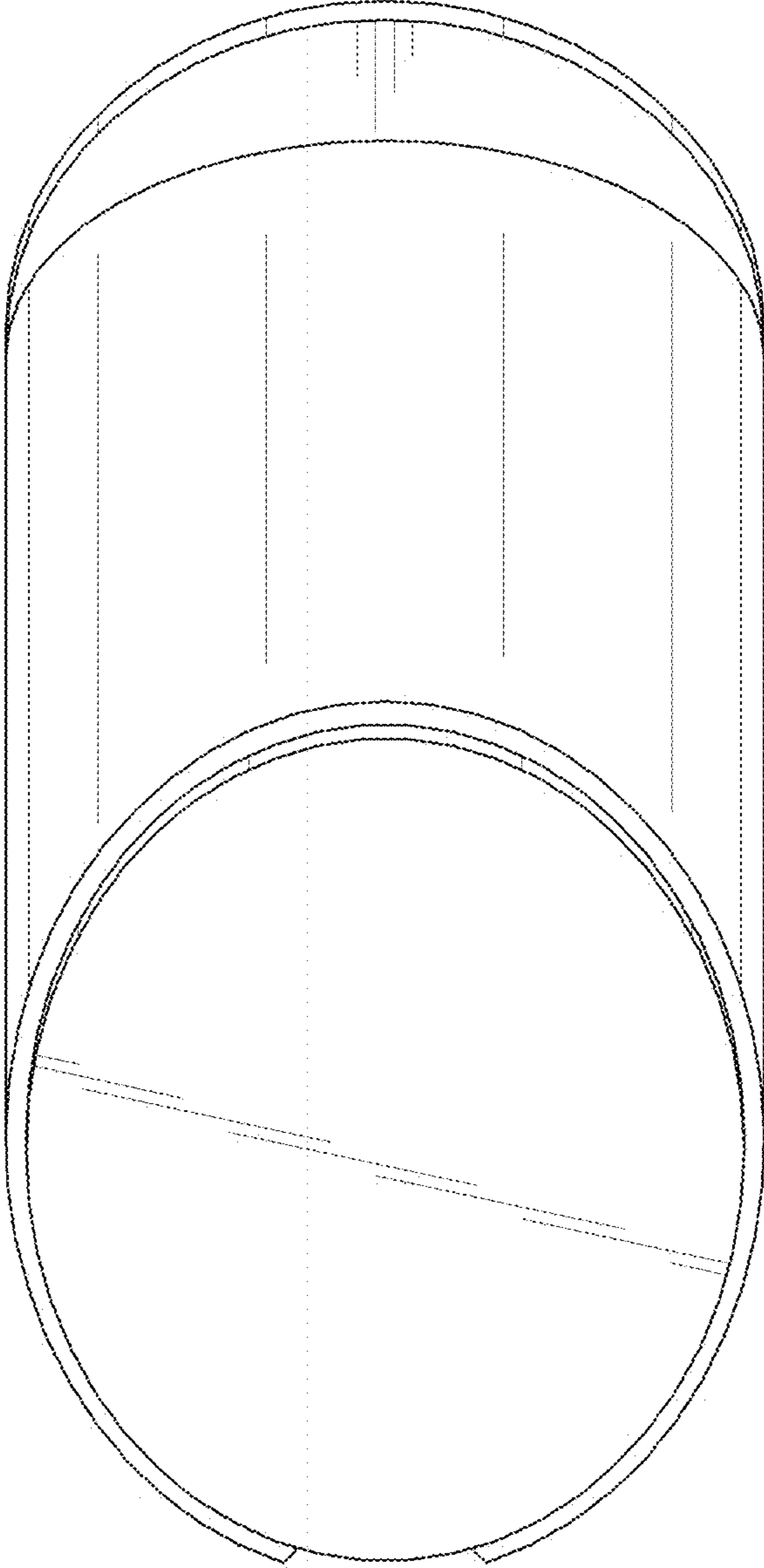


FIG. 8

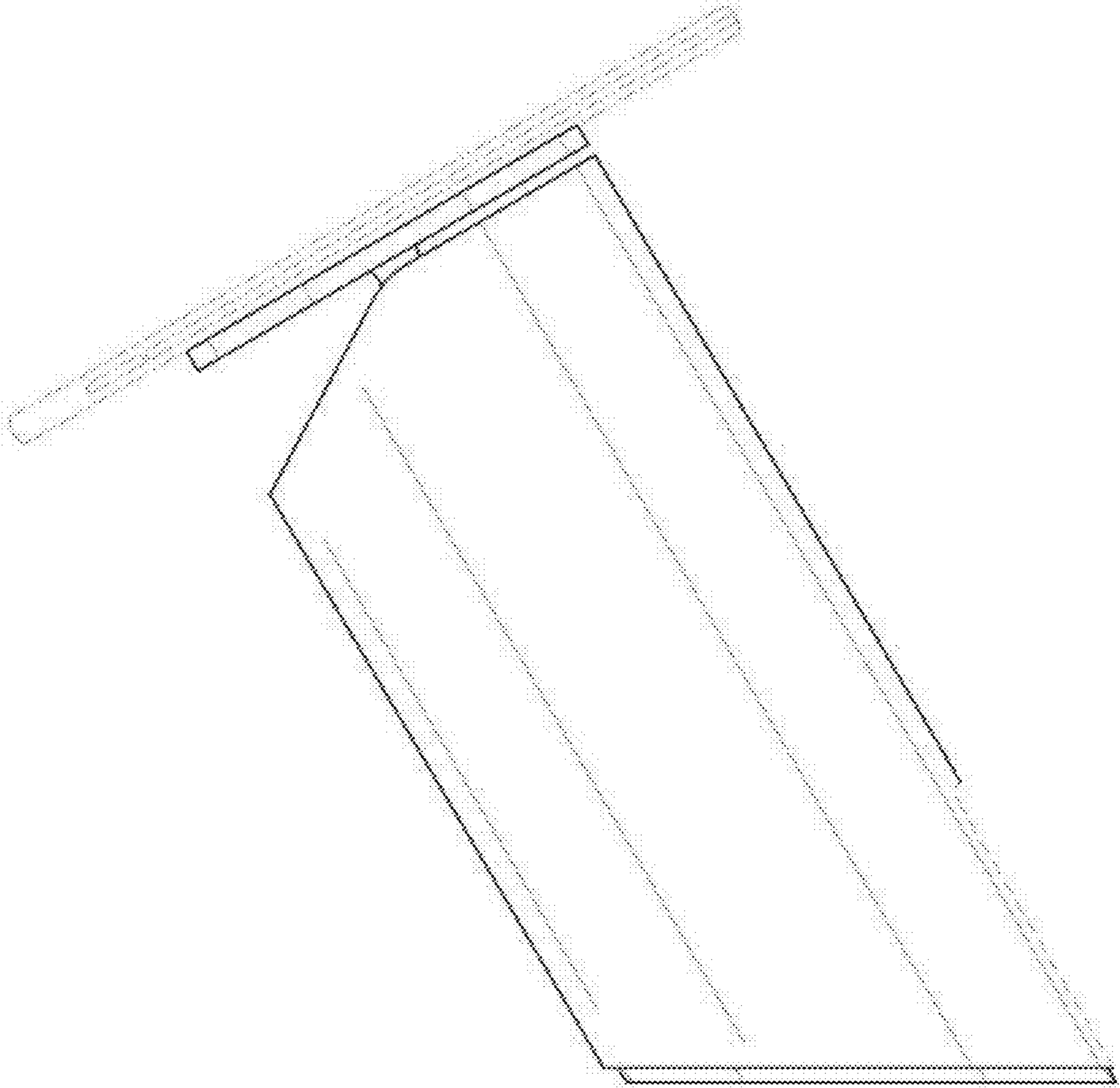


FIG. 9

