



US00D728575S

(12) **United States Design Patent**  
**David et al.**

(10) **Patent No.:** **US D728,575 S**  
(45) **Date of Patent:** **\*\* May 5, 2015**

(54) **DOCKING STATION FOR TABLET  
PERSONAL COMPUTER**

(71) Applicant: **Samsung Electronics, Ltd**, Suwon-Si  
(KR)

(72) Inventors: **Michael David**, London (GB); **Robert  
Stevenson**, London (GB); **Hyuntaik  
Lim**, London (GB)

(73) Assignee: **Samsung Electronics Co., Ltd.**,  
Suwon-si (KR)

(\*\*) Term: **14 Years**

(21) Appl. No.: **29/469,537**

(22) Filed: **Oct. 11, 2013**

(30) **Foreign Application Priority Data**

Apr. 11, 2013 (KR) ..... 30-2013-0018982

(51) **LOC (10) Cl.** ..... **14-02**

(52) **U.S. Cl.**  
USPC ..... **D14/434**

(58) **Field of Classification Search**  
USPC ..... D14/217, 432, 434; D8/373; D13/107,  
D13/108, 146; 248/176.1; 320/109,  
320/112-115; 361/679.4, 679.31-679.33,  
361/679.41, 679.43, 679.55; 455/557;  
710/15, 303

See application file for complete search history.

(56) **References Cited**

U.S. PATENT DOCUMENTS

D542,279 S *	5/2007	Chan .....	D14/216
D570,847 S *	6/2008	Chern .....	D14/434
D585,898 S *	2/2009	Skurdal .....	D14/434
D598,374 S *	8/2009	Sasada .....	D13/108
D645,047 S *	9/2011	Wike .....	D14/447
D687,437 S *	8/2013	Hagenauer .....	D14/434

\* cited by examiner

*Primary Examiner* — Freda S Nunn

(74) *Attorney, Agent, or Firm* — NSIP Law

(57) **CLAIM**

The ornamental design for a docking station for tablet personal computer, as shown and described.

**DESCRIPTION**

FIG. 1 is a front perspective view of a docking station for tablet personal computer showing our new design;

FIG. 2 is a front view thereof;

FIG. 3 is a rear view thereof;

FIG. 4 is a left-side view thereof;

FIG. 5 is a right-side view thereof;

FIG. 6 is a top view thereof;

FIG. 7 is a bottom view thereof;

FIG. 8 is a right-side view thereof, in which the docking station is shown in an example environment; and,

FIG. 9 is another right-side view thereof, in which the docking station is shown in an example environment.

The broken lines are for environmental purposes only and form no part of the claimed design.

The pairs of closely spaced jagged broken lines indicate no particular length and form no part of the claimed design.

**1 Claim, 9 Drawing Sheets**

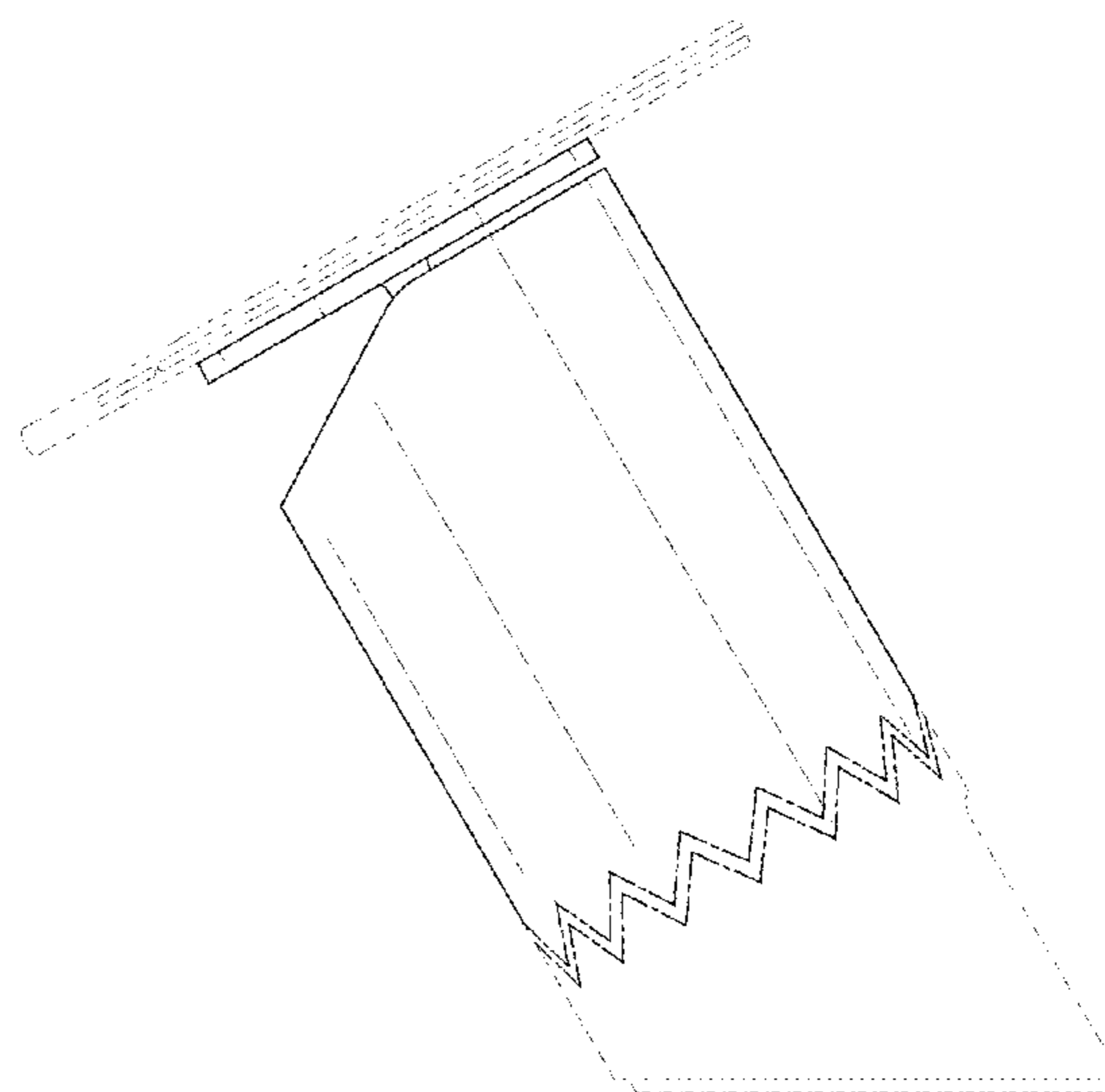
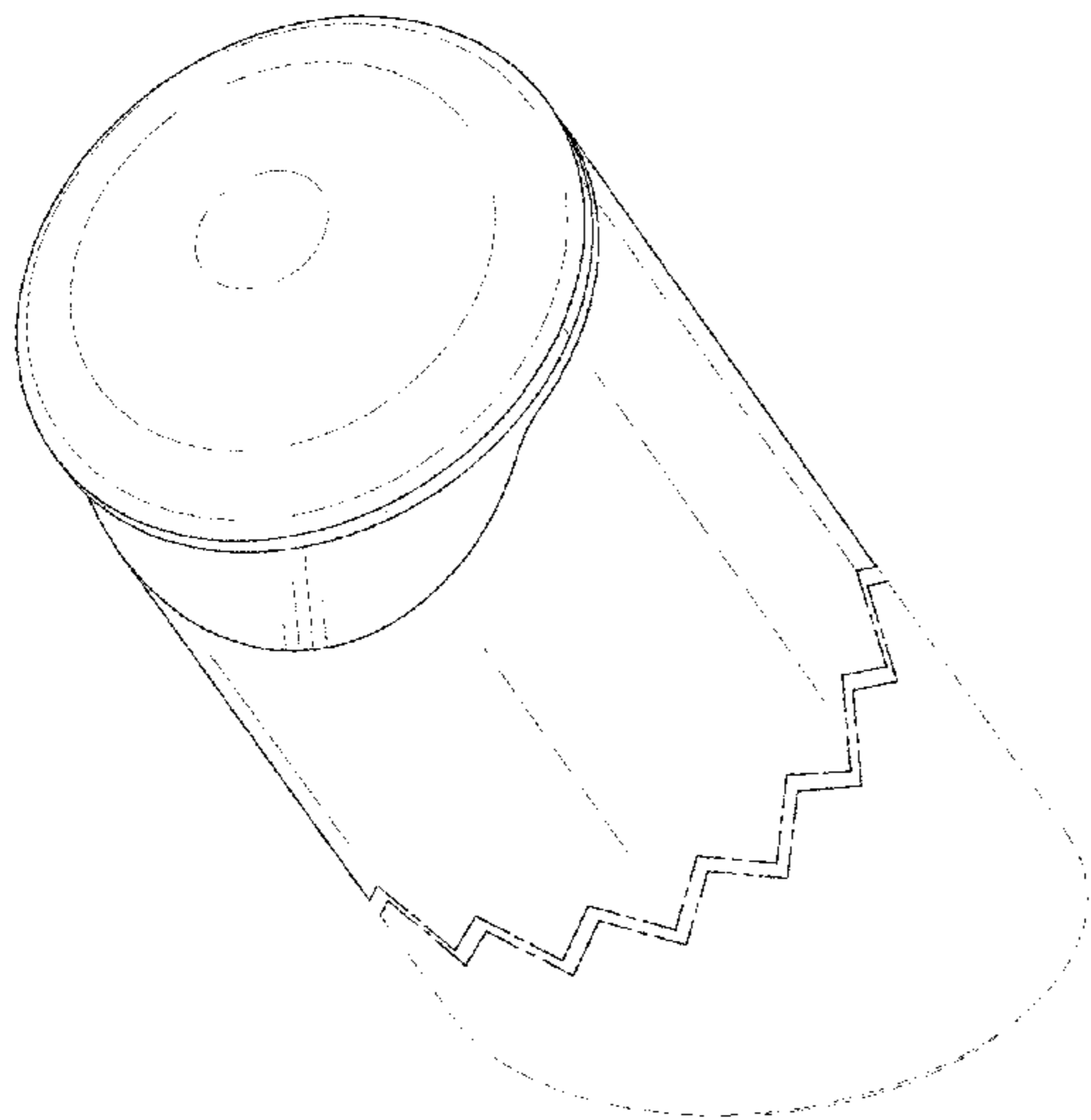


FIG. 1

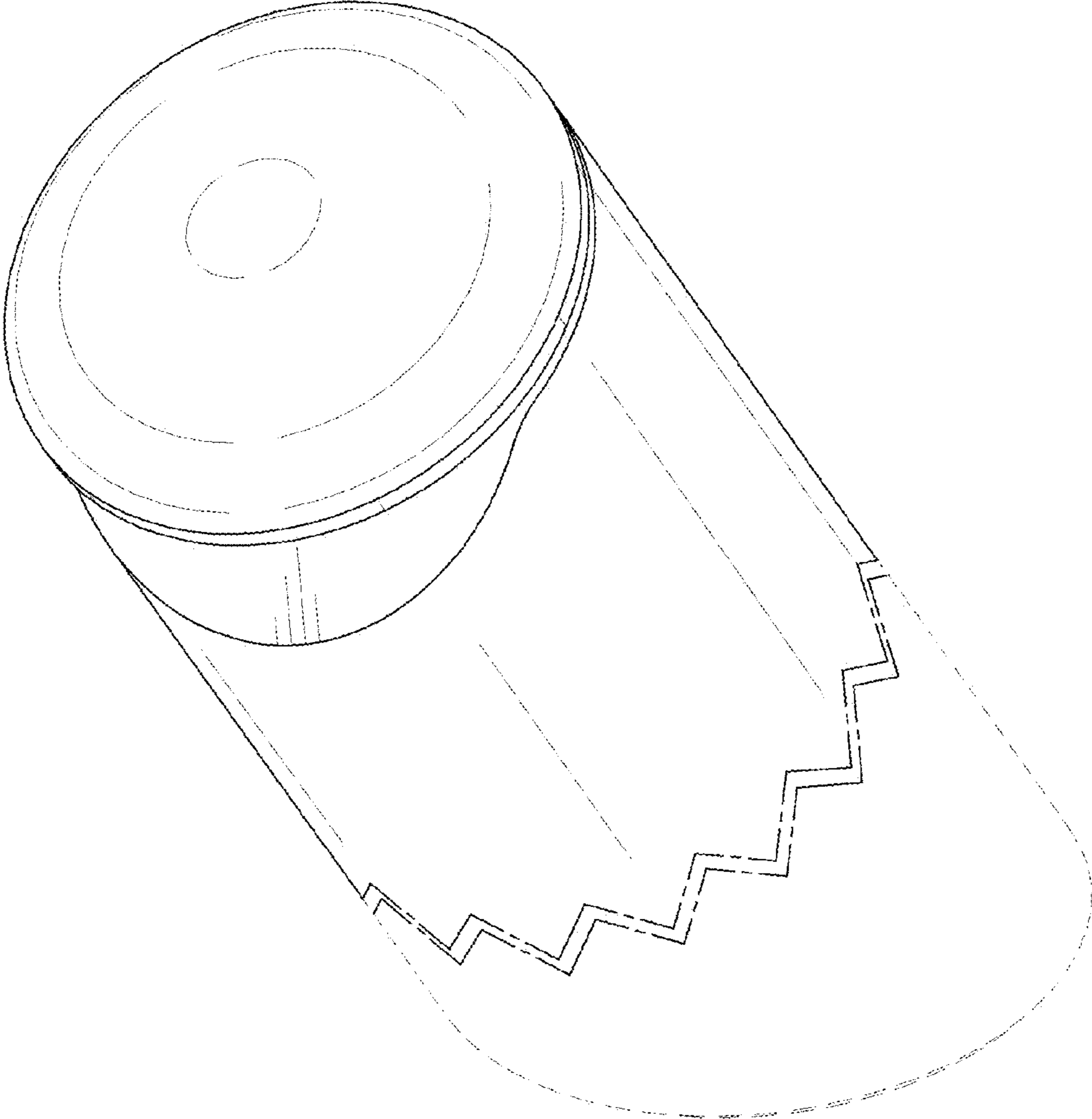


FIG. 2

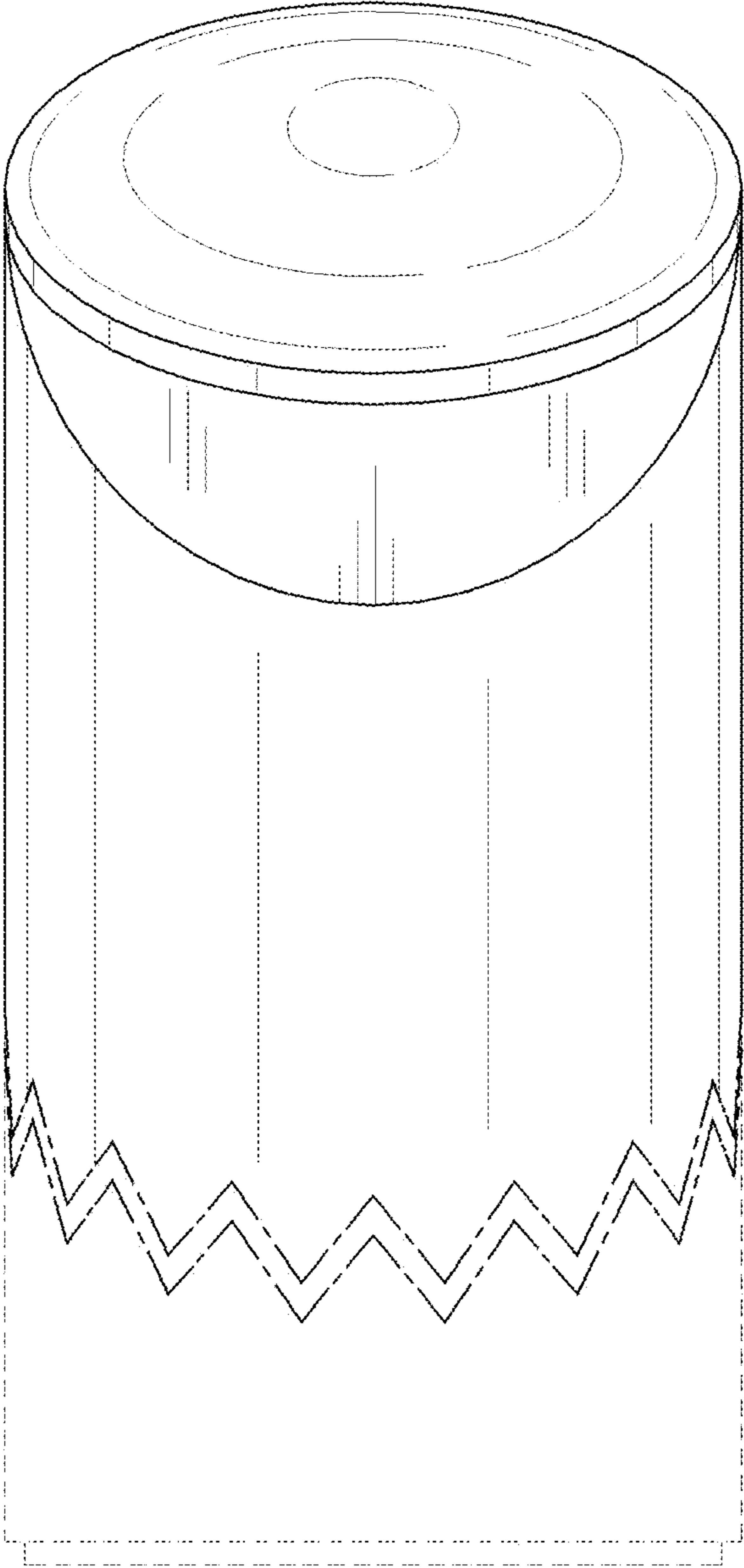


FIG. 3

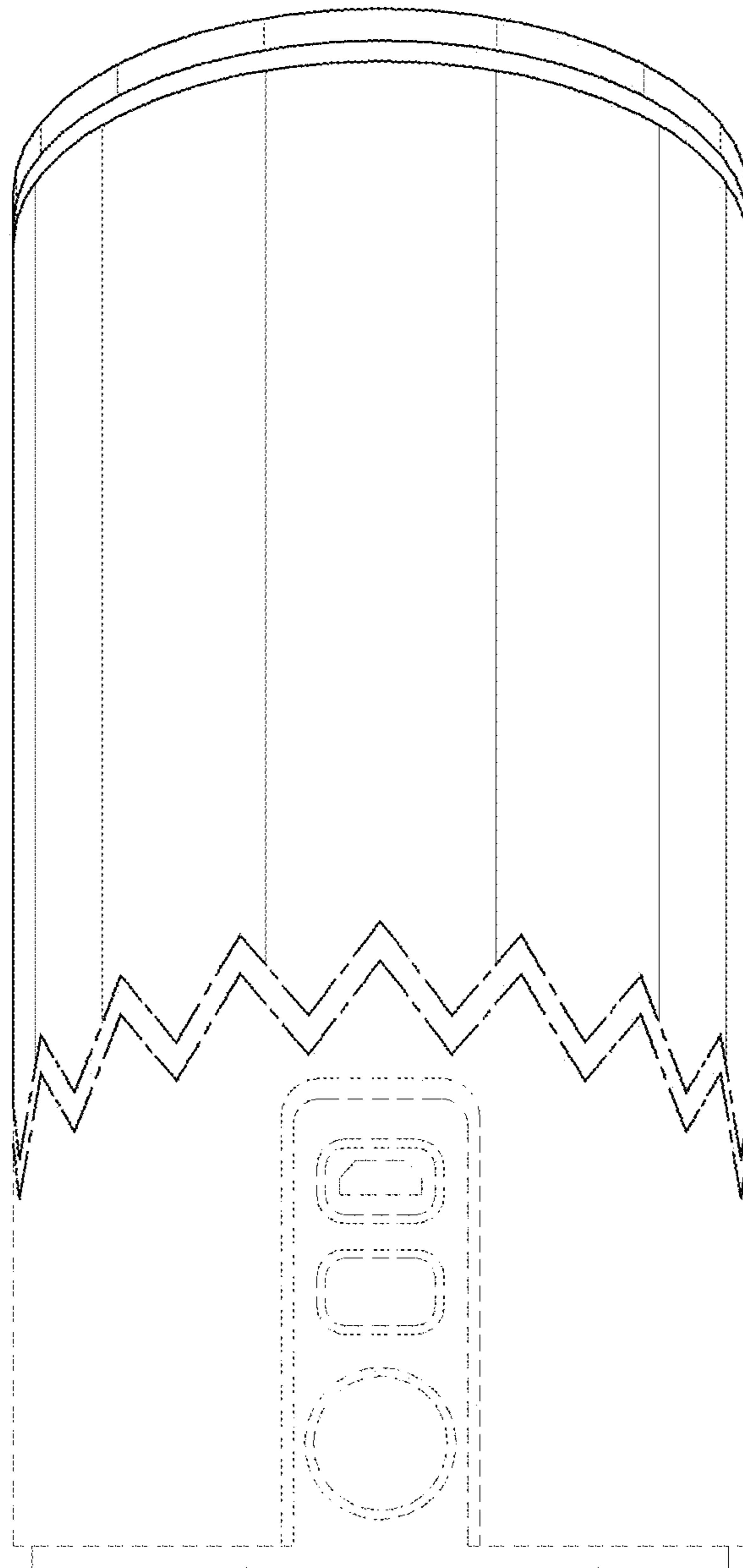


FIG. 4

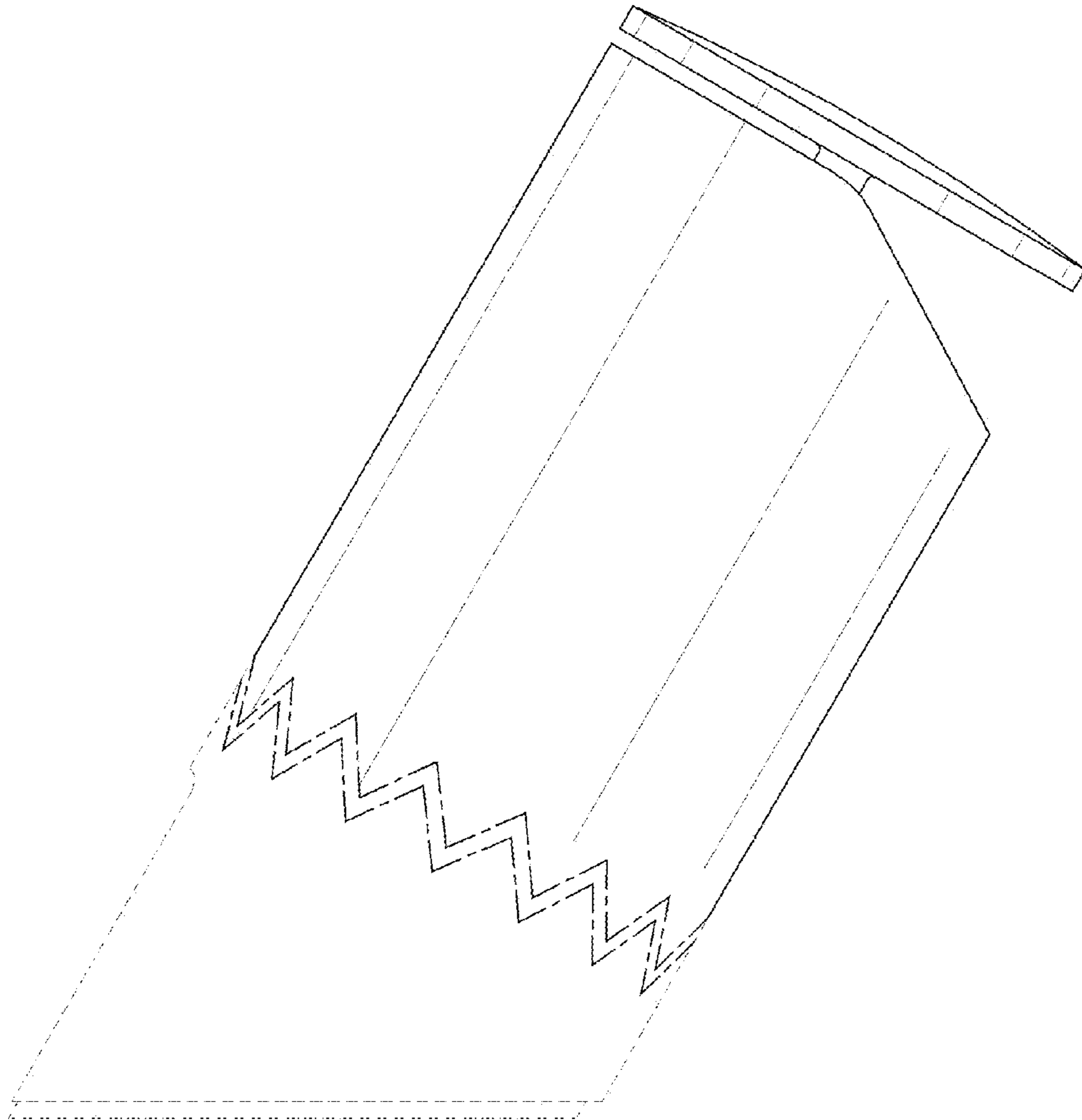
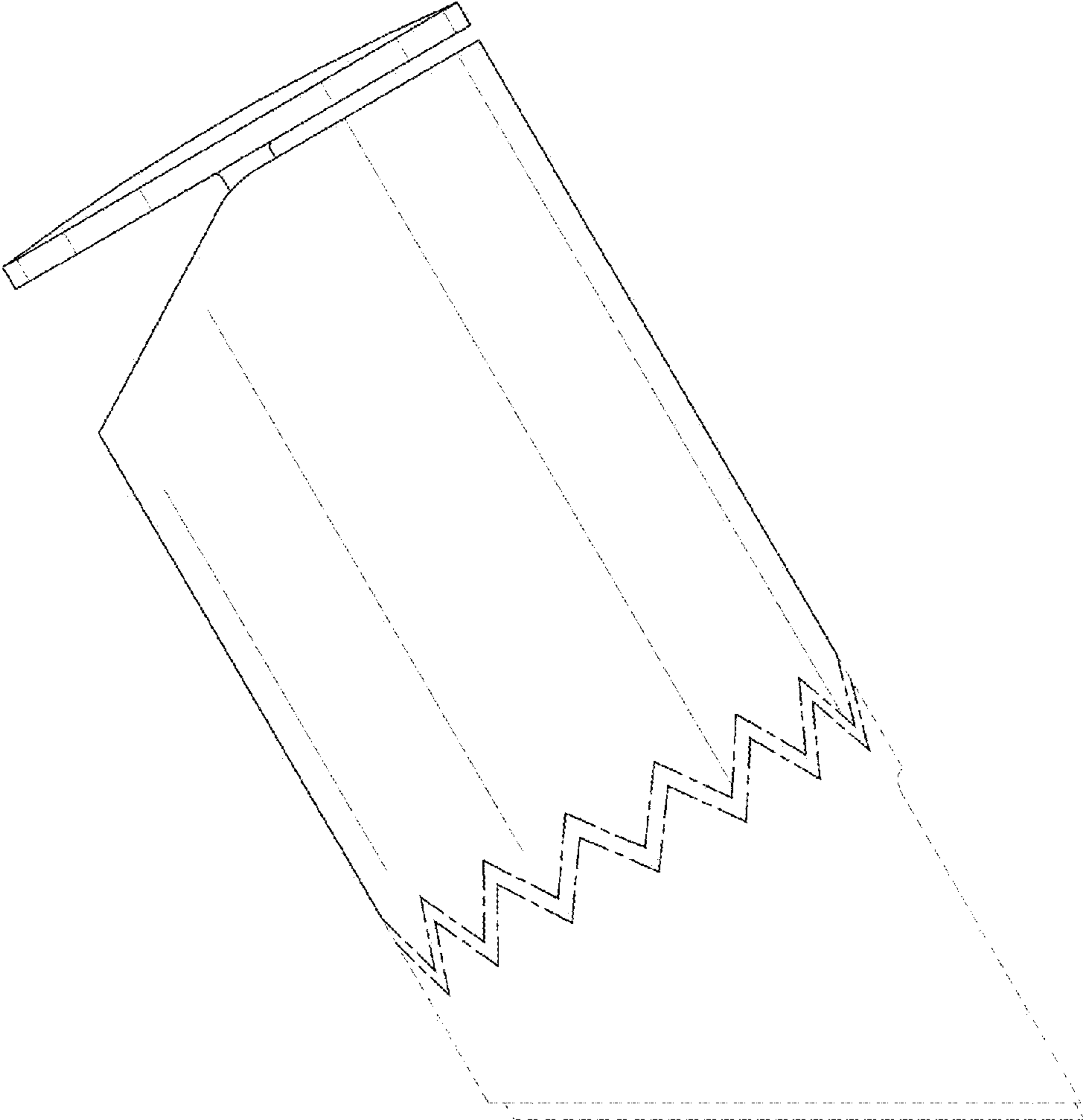


FIG. 5



**FIG. 6**

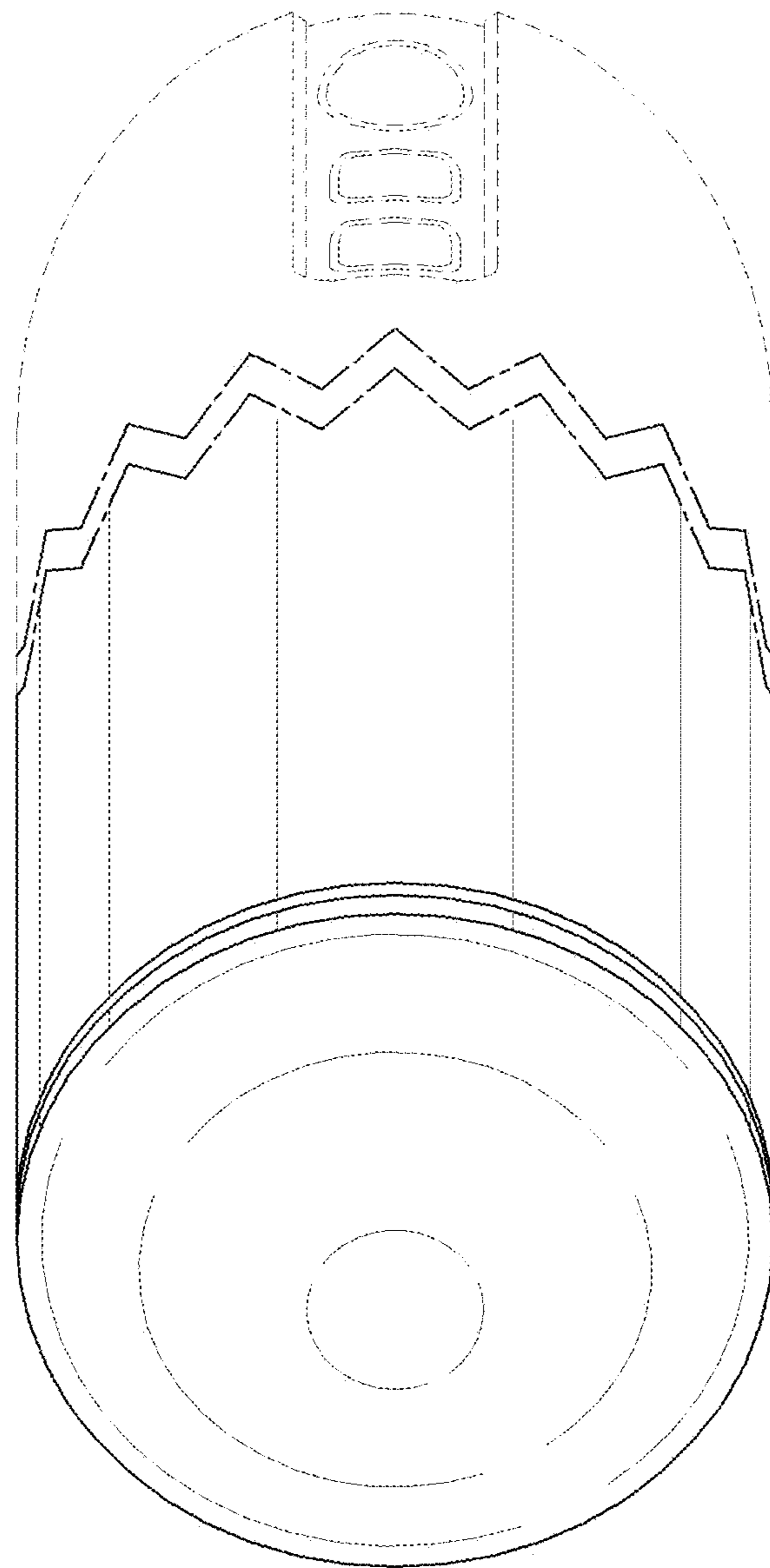


FIG. 7

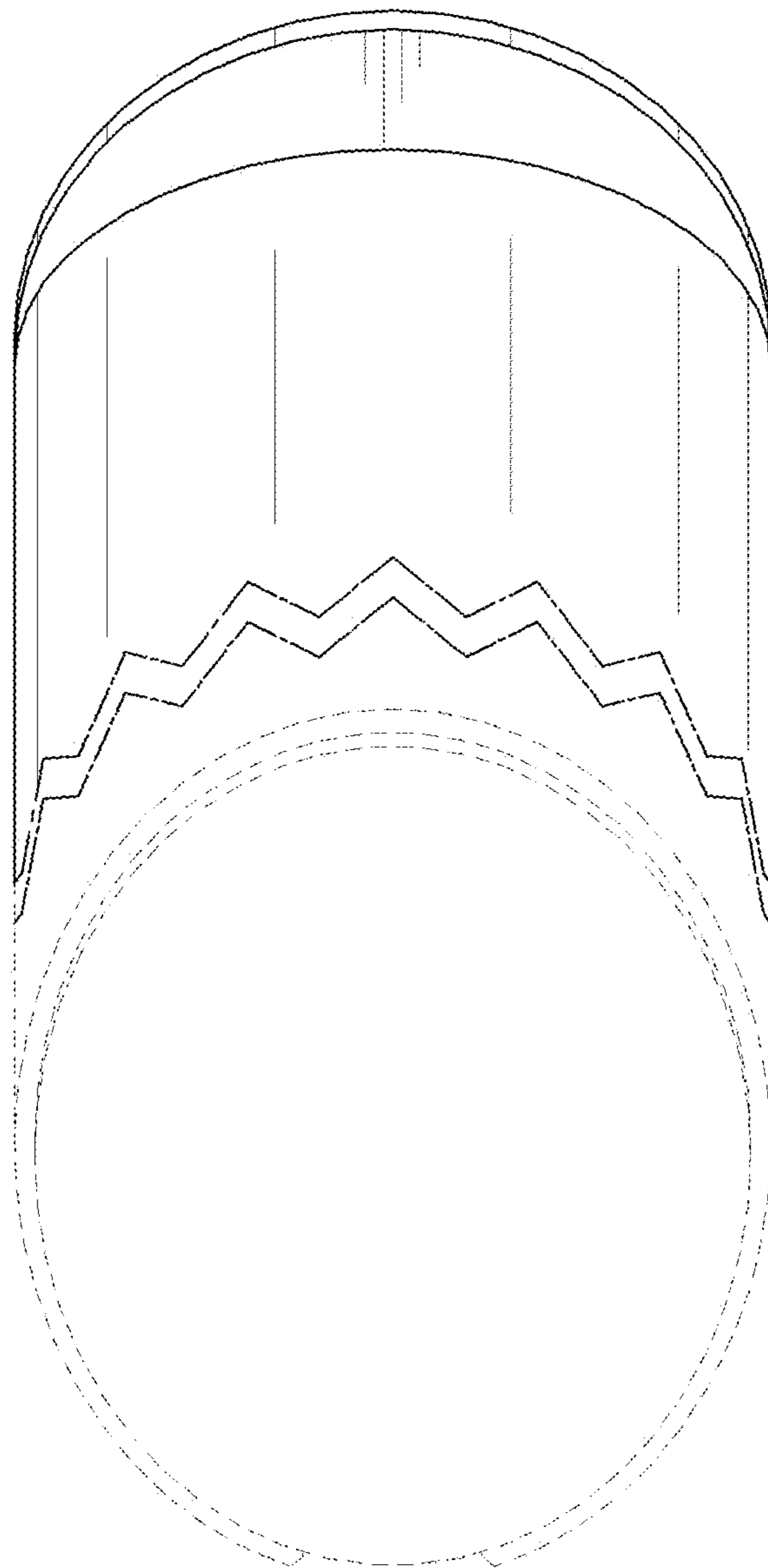




FIG. 8

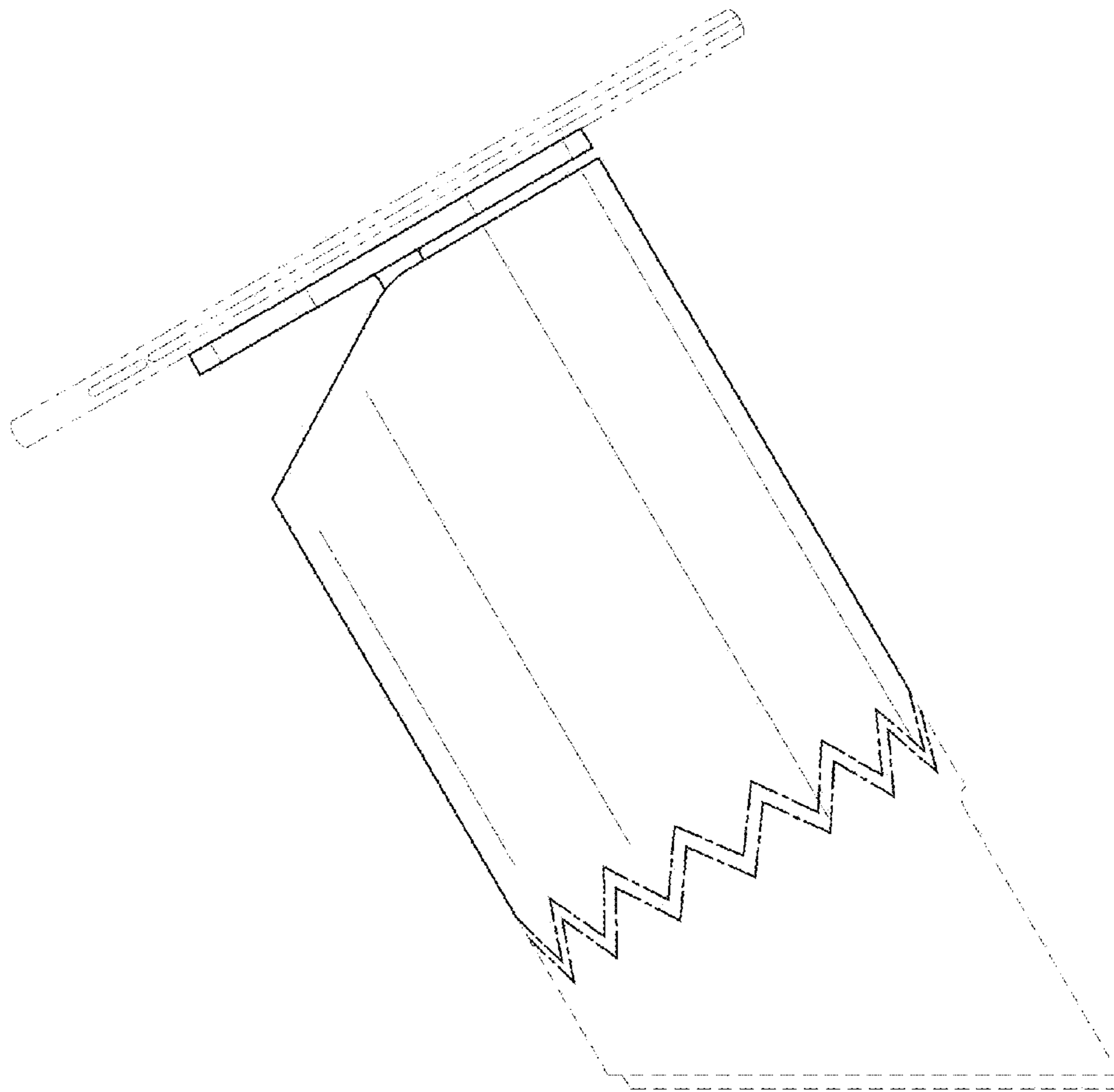


FIG. 9

