

US00D728574S

(12) **United States Design Patent**  
**Thompson et al.**

(10) **Patent No.:** **US D728,574 S**  
(45) **Date of Patent:** **\*\* May 5, 2015**

- (54) **TOP DOWN READER OF A DATA READER FOR CHECKOUT STATION**
- (71) Applicant: **Datalogic ADC, Inc.**, Eugene, OR (US)
- (72) Inventors: **Ryan B. Thompson**, Eugene, OR (US);  
**Jeffrey J. Hoskinson**, Eugene, OR (US);  
**Michael P. Svetal**, Eugene, OR (US);  
**Brianne E. Howard**, Eugene, OR (US);  
**David J. Newman**, Eugene, OR (US)
- (73) Assignee: **Datalogic ADC, Inc.**, Eugene, OR (US)

- (\*\*) Term: **14 Years**
- (21) Appl. No.: **29/493,882**
- (22) Filed: **Jun. 13, 2014**

**Related U.S. Application Data**

- (62) Division of application No. 29/424,249, filed on Jun. 8, 2012, now Pat. No. Des. 708,183.
- (51) **LOC (10) Cl.** ..... **14-02**
- (52) **U.S. Cl.**  
USPC ..... **D14/421**; D14/423
- (58) **Field of Classification Search**  
USPC ..... D14/420-425, 462-470, 389, 125, 399,  
D14/453; D18/50, 54, 55, 53, 36-39, 14,  
D18/18-21, 49, 52, 51, 54.4; 358/400, 401,  
358/448, 474, 486-488, 496; 382/312, 317,  
382/321, 315; 400/613, 613.1-613.4,  
400/690.1-690.4, 691-694, 88, 175;  
399/107, 379, 380, 211, 212;  
235/462.11, 462.41, 472.01, 470,  
235/462.43; 361/680, 681  
See application file for complete search history.

- (56) **References Cited**  
U.S. PATENT DOCUMENTS

D194,077 S \* 11/1962 Takats ..... D16/232

D197,258 S *	12/1963	Highberger .....	D16/232
D201,929 S *	8/1965	Wilton et al. ....	D16/232
D211,760 S *	7/1968	Blomgren et al. ....	D16/232
D244,602 S *	6/1977	Mango et al. ....	D16/232
D264,581 S *	5/1982	Mobius .....	D13/101
4,565,430 A	1/1986	Grunwald	
D302,683 S *	8/1989	Iwasaki et al. ....	D14/423
D306,435 S *	3/1990	Krichever et al. ....	D14/423
4,933,539 A	6/1990	Stewart et al.	
D320,011 S	9/1991	Fulton et al.	
D320,012 S	9/1991	Fulton et al.	
D325,027 S *	3/1992	Wallace et al. ....	D14/423
5,105,070 A *	4/1992	Wike et al. ....	235/462.45
5,140,141 A *	8/1992	Inagaki et al. ....	235/462.43
5,153,417 A *	10/1992	Sakai et al. ....	235/462.34

(Continued)

**OTHER PUBLICATIONS**

Shearin et al., U.S. Appl. No. 61/647,937, filed May 16, 2012.  
(Continued)

*Primary Examiner* — Susan Moon Lee

(74) *Attorney, Agent, or Firm* — Stoel Rives LLP

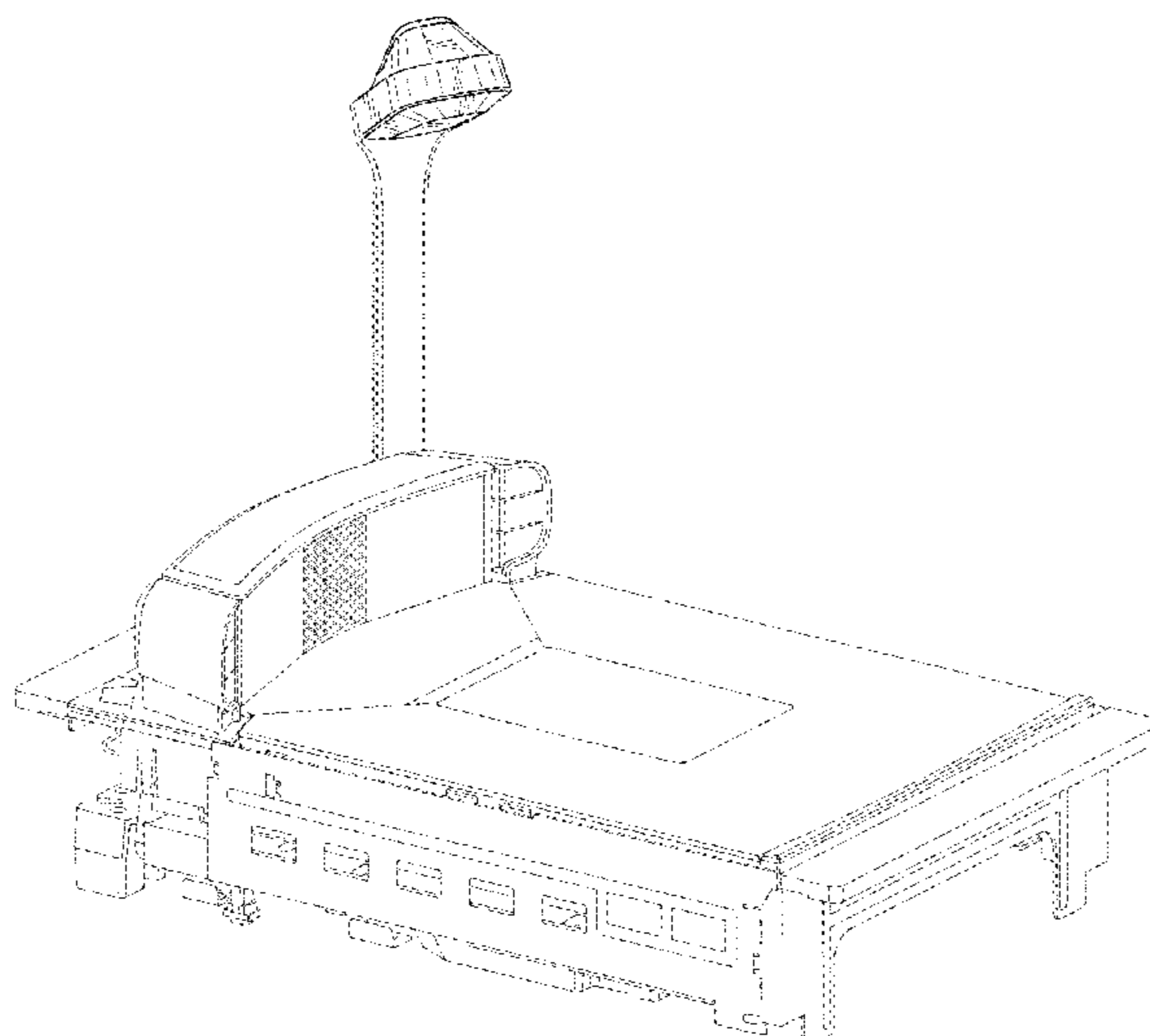
(57) **CLAIM**

We claim the ornamental design for a top down reader of a data reader for checkout station, as shown and described.

**DESCRIPTION**

FIG. 1 is a front, top, left isometric view of a top down reader of a data reader for checkout station showing the new design; FIG. 2 is a rear left isometric view thereof; FIG. 3 is a front side elevation view thereof; FIG. 4 is a rear side elevation view thereof; FIG. 5 is a right side elevation view thereof; FIG. 6 is a left side elevation view thereof; FIG. 7 is a top plan view thereof; and, FIG. 8 is a bottom plan view thereof. Broken lines and unshaded portions entirely contained within broken line are not claimed.

**1 Claim, 3 Drawing Sheets**



(56)

References Cited

U.S. PATENT DOCUMENTS

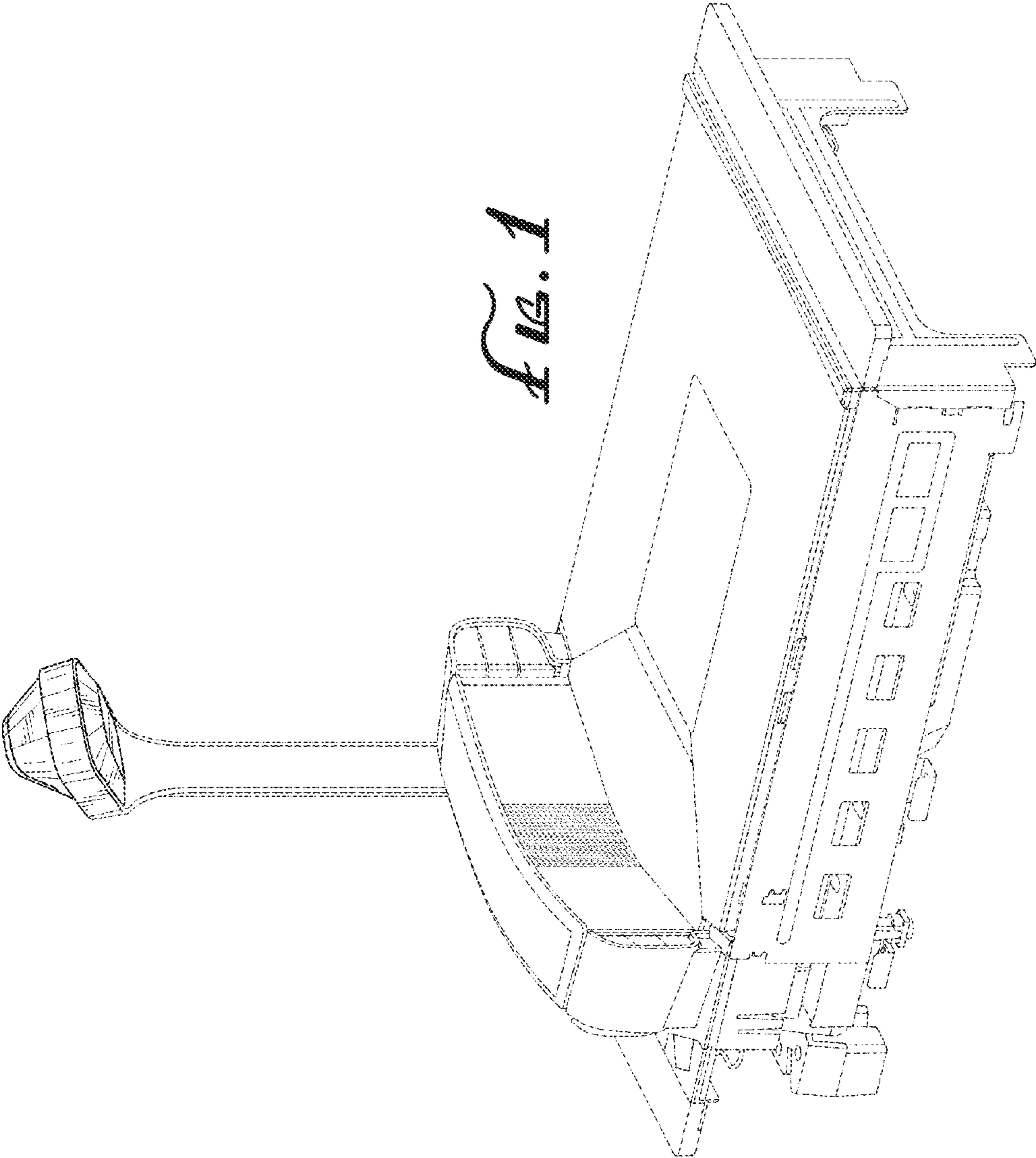
5,266,788 A \* 11/1993 Yamazaki et al. .... 235/462.39  
 5,291,007 A \* 3/1994 Sakai ..... 235/462.34  
 D349,715 S \* 8/1994 Darland ..... D16/232  
 D351,149 S \* 10/1994 Bontly et al. .... D14/423  
 D351,150 S \* 10/1994 Bontly et al. .... D14/423  
 D384,651 S \* 10/1997 Sandor et al. .... D14/423  
 D396,871 S \* 8/1998 McNulty ..... D16/232  
 D411,833 S \* 7/1999 Iwakawa et al. .... D14/423  
 6,065,676 A \* 5/2000 Ring et al. .... 235/462.43  
 6,216,950 B1 \* 4/2001 Ohkawa et al. .... 235/462.4  
 D454,351 S \* 3/2002 Adachi et al. .... D14/423  
 D454,570 S \* 3/2002 Adachi et al. .... D14/423  
 6,369,709 B1 \* 4/2002 Larson et al. .... 340/571  
 6,811,086 B1 \* 11/2004 Kumagai et al. .... 235/462.14  
 D509,507 S 9/2005 Myles et al.  
 6,982,388 B2 1/2006 Kasinoff  
 D542,795 S \* 5/2007 Sukenari et al. .... D14/423  
 7,416,118 B2 8/2008 Throckmorton et al.  
 7,533,819 B2 5/2009 Barkan

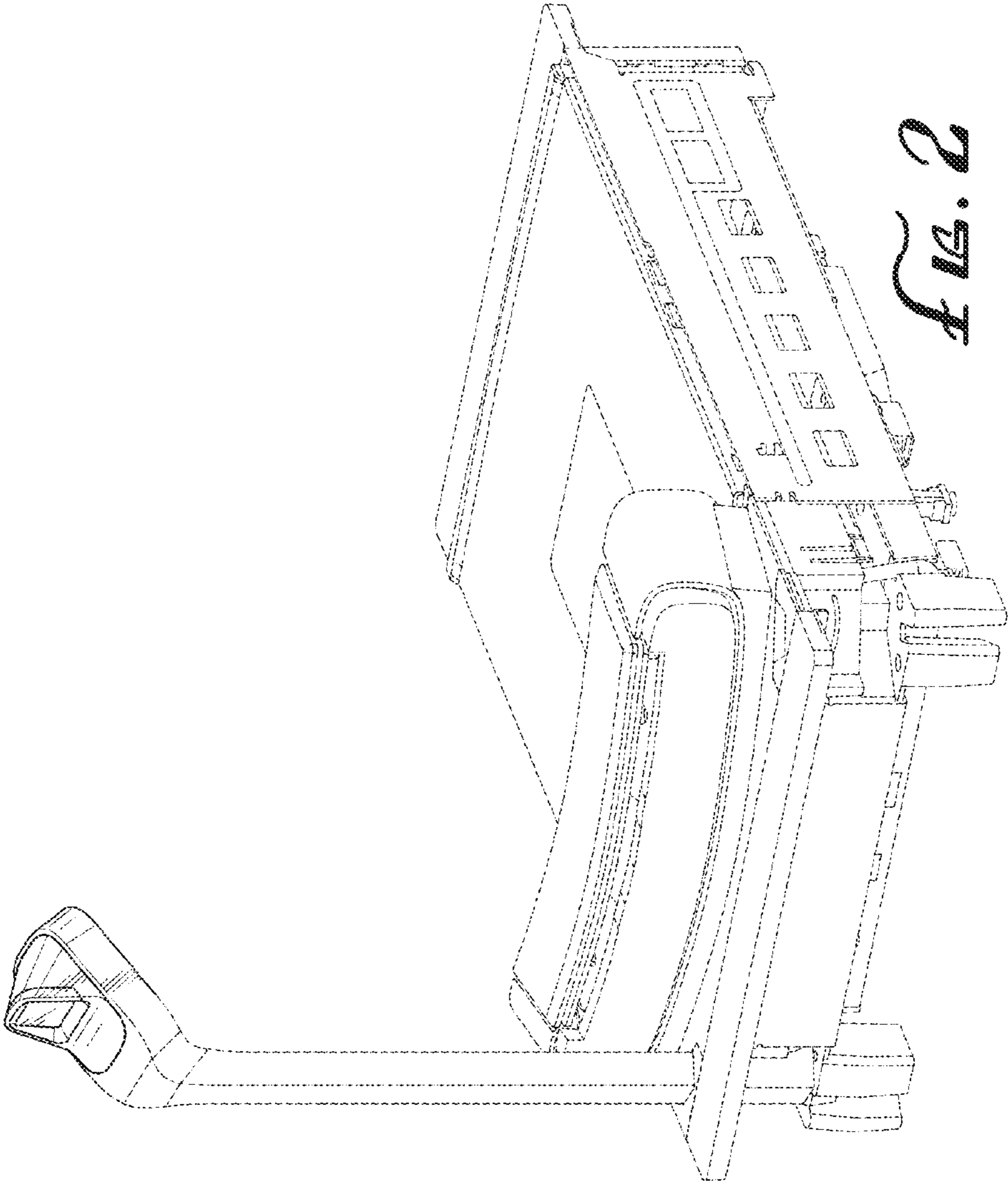
7,845,563 B2 12/2010 Kotlarsky et al.  
 7,900,839 B2 3/2011 Kotlarsky et al.  
 8,079,526 B2 12/2011 Barkan et al.  
 D708,183 S \* 7/2014 Thompson et al. .... D14/421  
 D708,655 S \* 7/2014 Wong et al. .... D16/232  
 2011/0174881 A1 \* 7/2011 Samek et al. .... 235/470  
 2013/0306735 A1 \* 11/2013 Vinogradov et al. .... 235/470  
 2013/0327835 A1 \* 12/2013 Thompson et al. .... 235/470  
 2013/0328682 A1 \* 12/2013 Shearin et al. .... 340/572.3

OTHER PUBLICATIONS

Thompson et al., U.S. Appl. No. 61/657,634, filed Jun. 8, 2012.  
 Thompson et al., U.S. Appl. No. 61/657,705, filed Jun. 8, 2012.  
 Shearin et al., U.S. Appl. No. 61/657,732, filed Jun. 8, 2012.  
 Thompson et al., U.S. Appl. No. 61/657,690, filed Jun. 8, 2012.  
 Shearin et al., U.S. Appl. No. 13/895,258, filed May 15, 2013.  
 Thompson et al., U.S. Appl. No. 13/912,115, filed Jun. 6, 2013.  
 Shearin et al., U.S. Appl. No. 13/913,034, filed Jun. 7, 2013.  
 Thompson et al., U.S. Appl. No. 13/911,850, filed Jun. 6, 2013.

\* cited by examiner







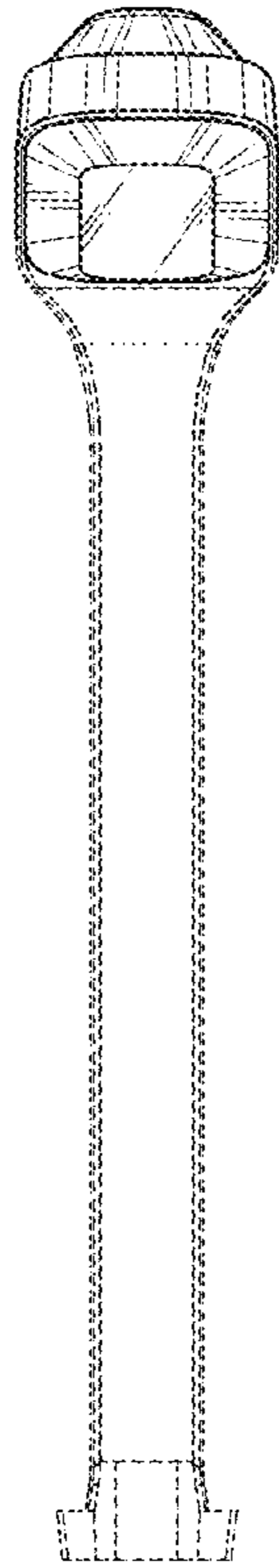


FIG. 3

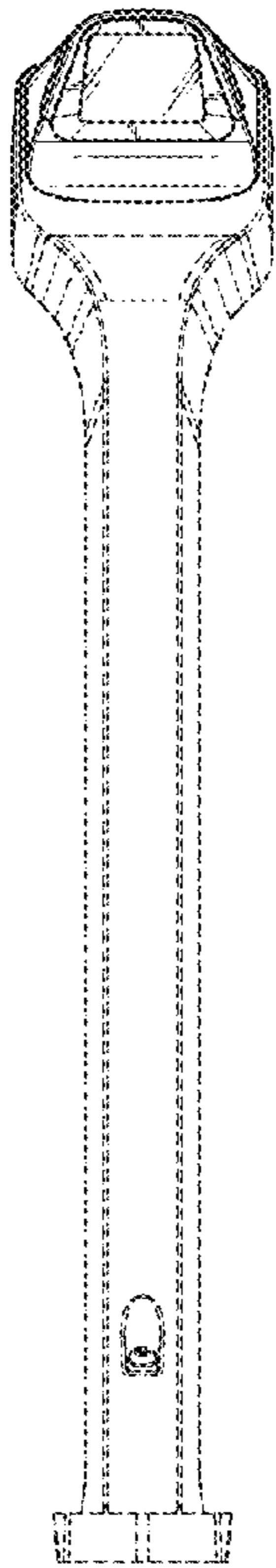


FIG. 4

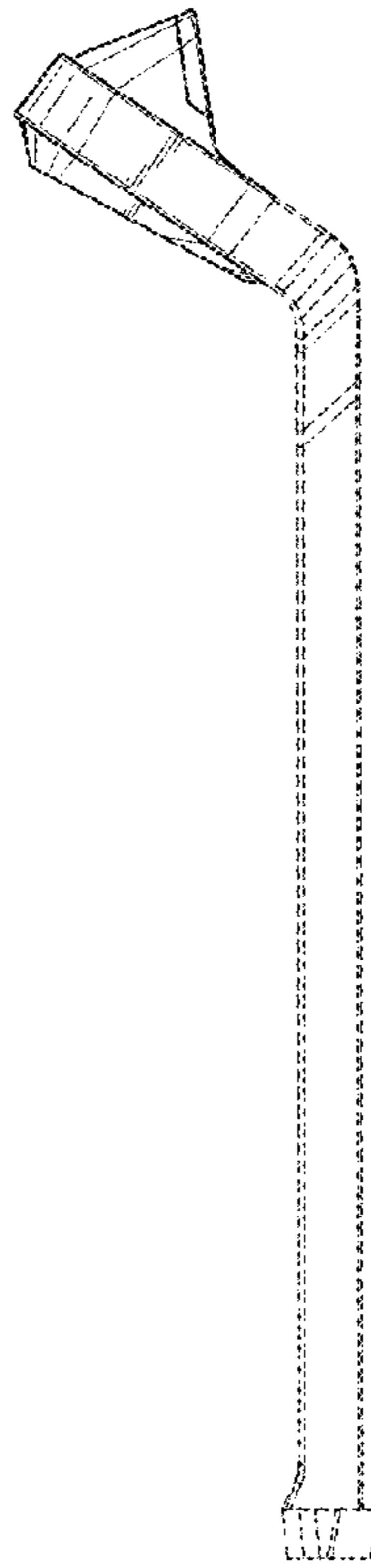


FIG. 5

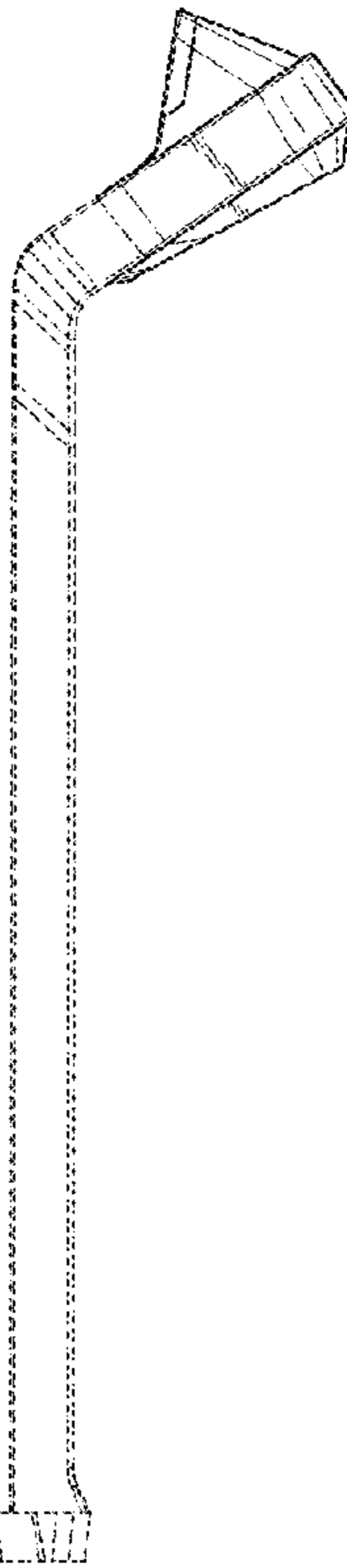


FIG. 6

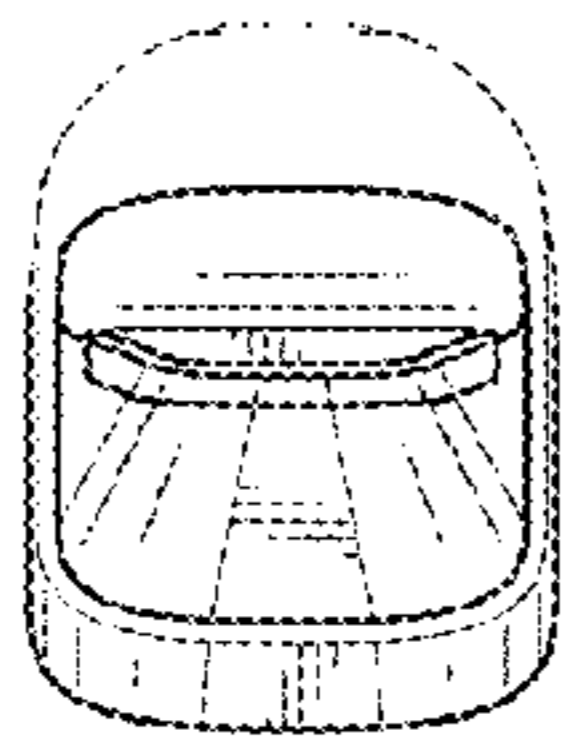


FIG. 7

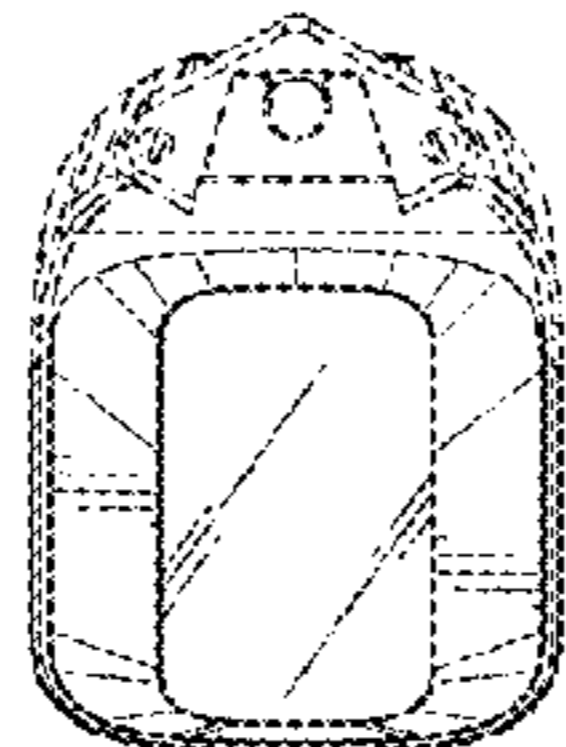


FIG. 8