



US00D728572S

(12) **United States Design Patent**
Yockey et al.

(10) **Patent No.:** **US D728,572 S**

(45) **Date of Patent:** **** May 5, 2015**

(54) **SCROLL MOUSE**

(75) Inventors: **Robert F. Yockey**, Fort Collins, CO (US); **Irvan D. Christy, Jr.**, Fort Collins, CO (US); **Robert A. Baum**, Fort Collins, CO (US)

(73) Assignee: **Hewlett-Packard Development Company, L.P.**, Houston, TX (US)

(**) Term: **14 Years**

(21) Appl. No.: **29/423,452**

(22) Filed: **May 31, 2012**

(51) **LOC (10) Cl.** **14-02**

(52) **U.S. Cl.**
USPC **D14/409**

(58) **Field of Classification Search**
CPC G06F 3/03543
USPC D21/333, 394, 513; D14/402, 403, 404, D14/405, 406, 407, 408, 409, 410, 426, 427, D14/300, 432, 439; 361/679.02, 679.31, 361/679.4
See application file for complete search history.

(56) **References Cited**

U.S. PATENT DOCUMENTS

4,455,333 A * 6/1984 Hong et al. 426/94
D438,208 S * 2/2001 Jones et al. D14/402
D464,350 S * 10/2002 Kerestegian et al. D14/402
7,283,124 B2 * 10/2007 Pai 345/167

D611,474 S * 3/2010 Chatterjee et al. D14/402
D617,324 S * 6/2010 Fang et al. D14/402
8,035,615 B2 * 10/2011 Bohn 345/163
2006/0022944 A1 * 2/2006 Pai 345/163
2007/0222752 A1 * 9/2007 Hsieh 345/163
2008/0122808 A1 * 5/2008 Huang 345/184
2009/0295725 A1 * 12/2009 Chou 345/163
2009/0303182 A1 * 12/2009 Wu 345/163
2012/0188162 A1 * 7/2012 Zhou et al. 345/163

* cited by examiner

Primary Examiner — George D Kirschbaum

Assistant Examiner — Kendra L Hamilton

(74) *Attorney, Agent, or Firm* — Rathe Lindenbaum LLP

(57) **CLAIM**

We claim the ornamental design for a scroll mouse, as shown and described.

DESCRIPTION

FIG. 1 is a top perspective view of a scroll mouse;

FIG. 2 is a front view thereof;

FIG. 3 is a rear view thereof;

FIG. 4 is a right side view thereof;

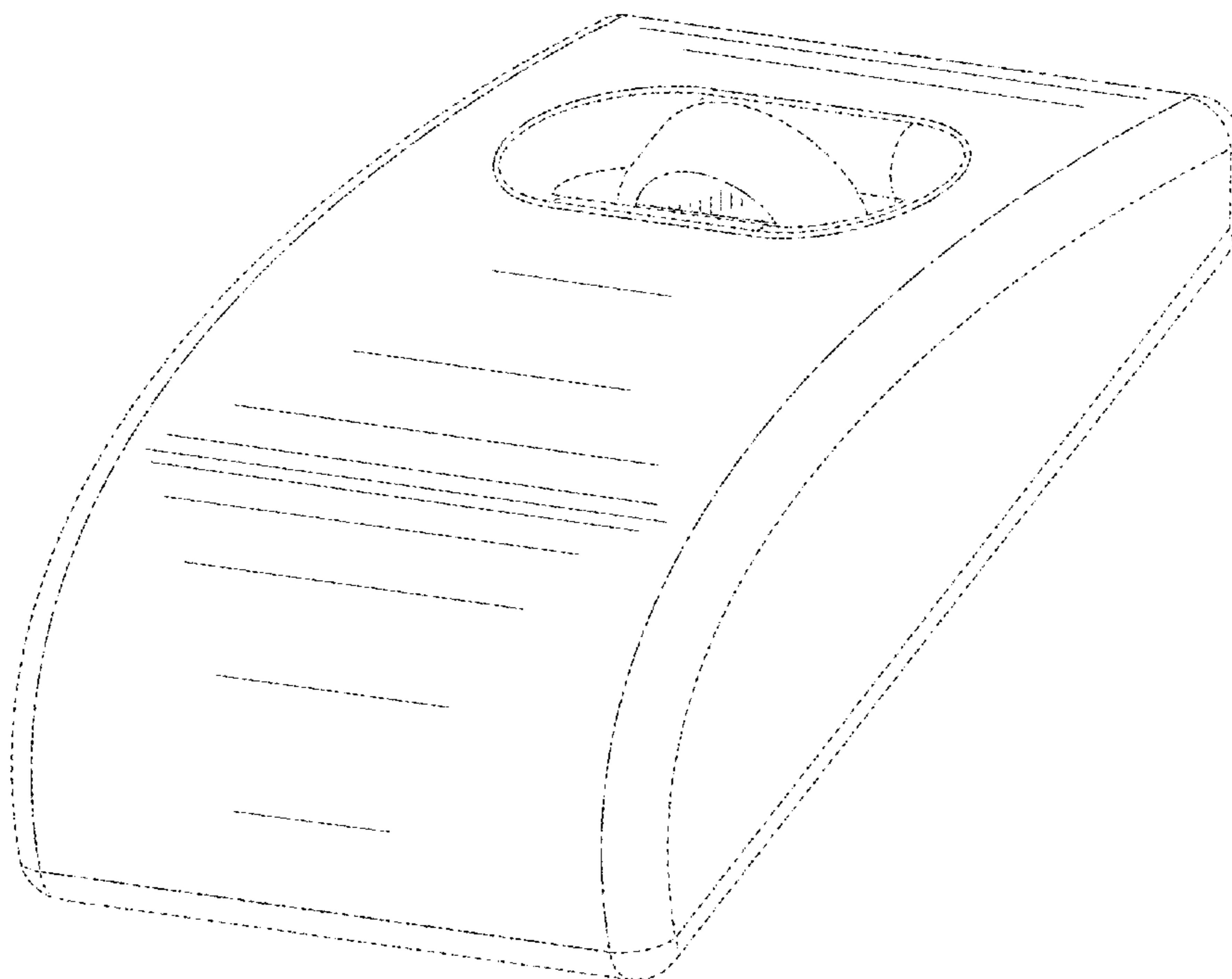
FIG. 5 is a left side view thereof;

FIG. 6 is a top view thereof; and,

FIG. 7 is a bottom view thereof.

The dash-dash broken lines in the drawings are environmental lines which do not form part of the claimed design. The short dash-long dash lines are boundary lines which do not form part of the claimed design.

1 Claim, 5 Drawing Sheets



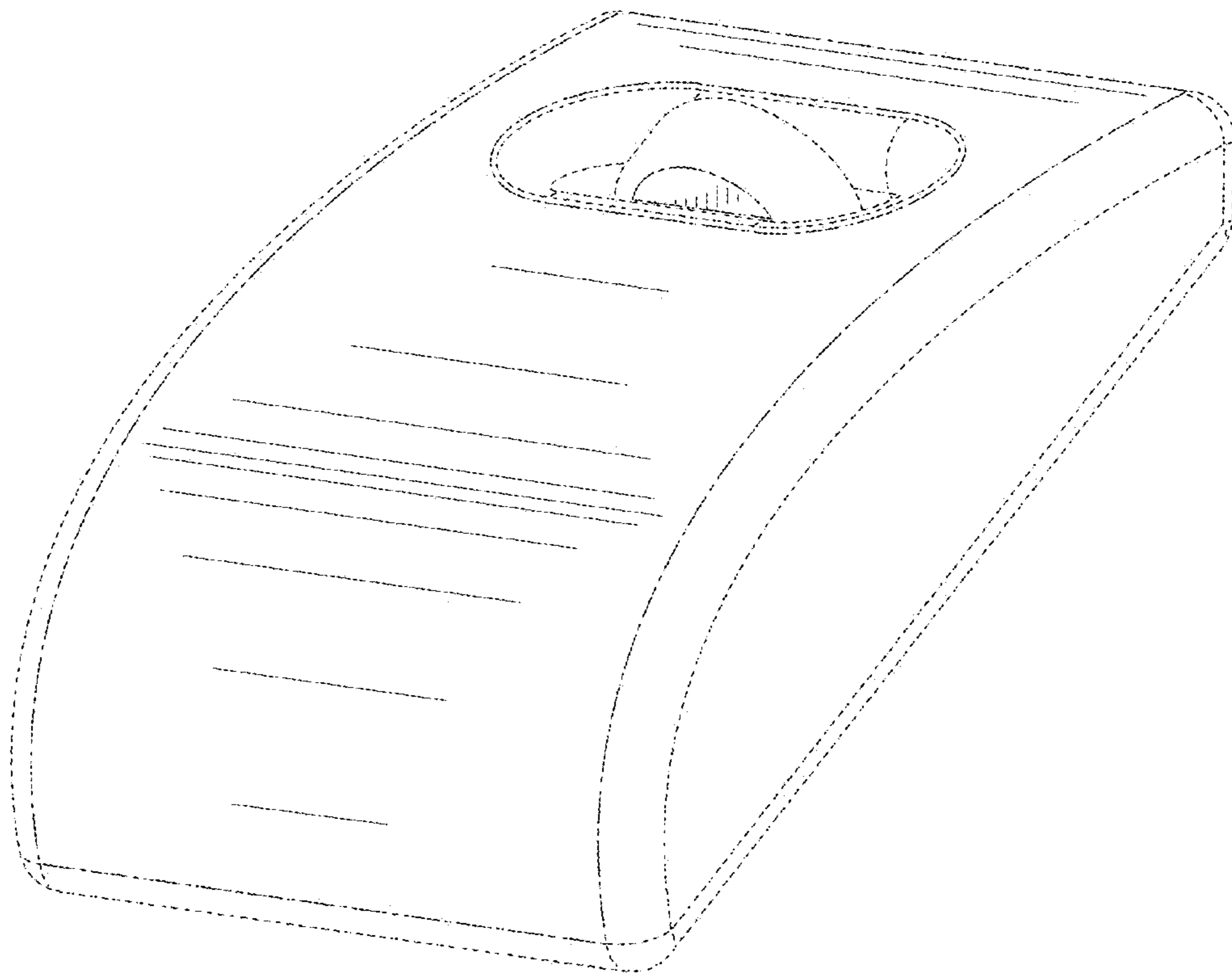


FIG. 1

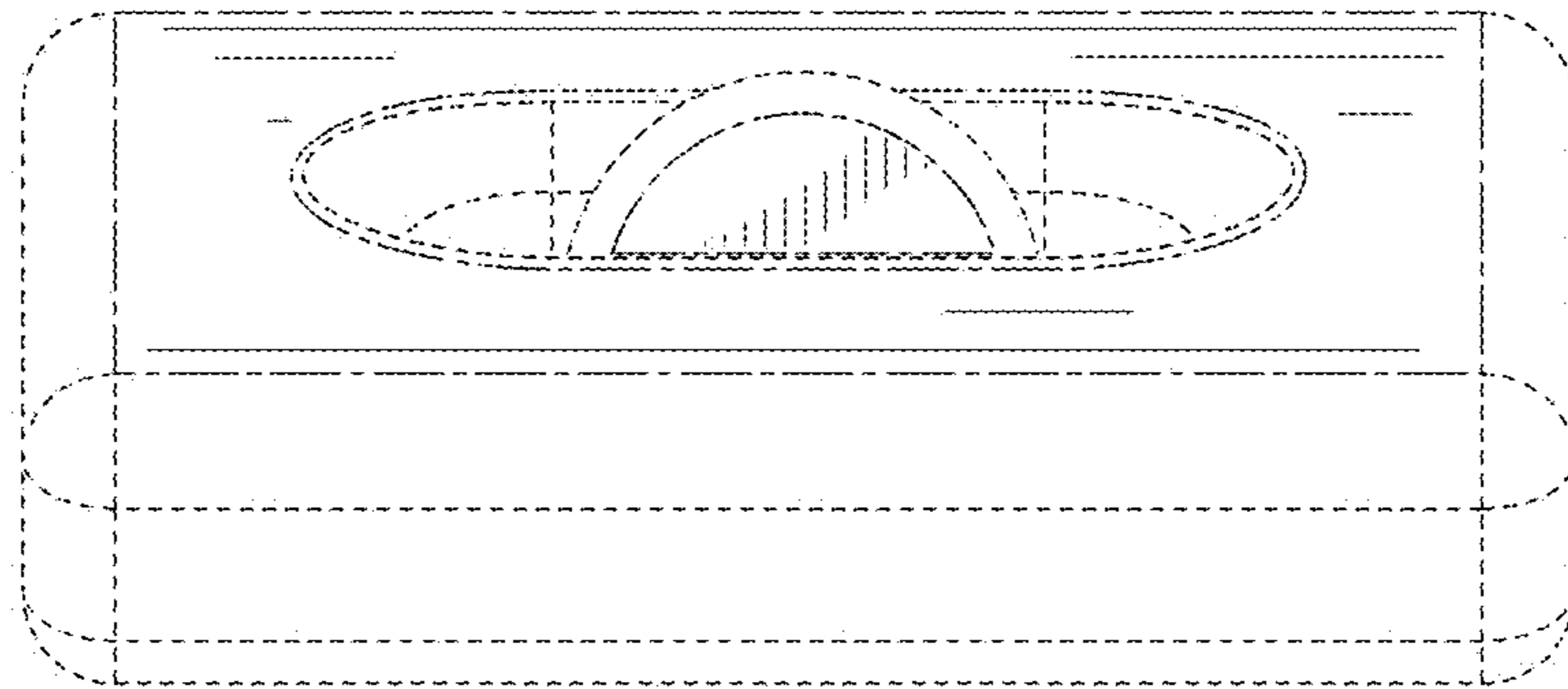


FIG. 2

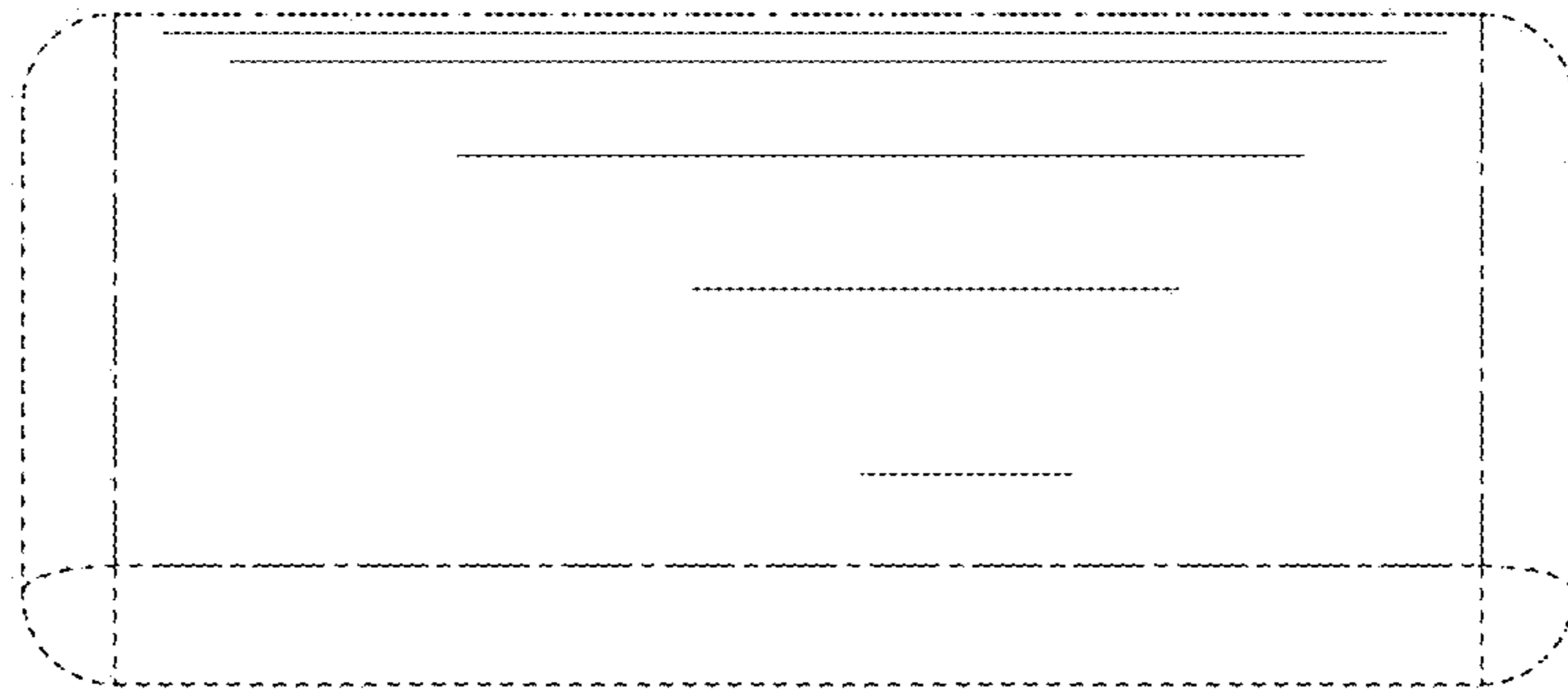


FIG. 3

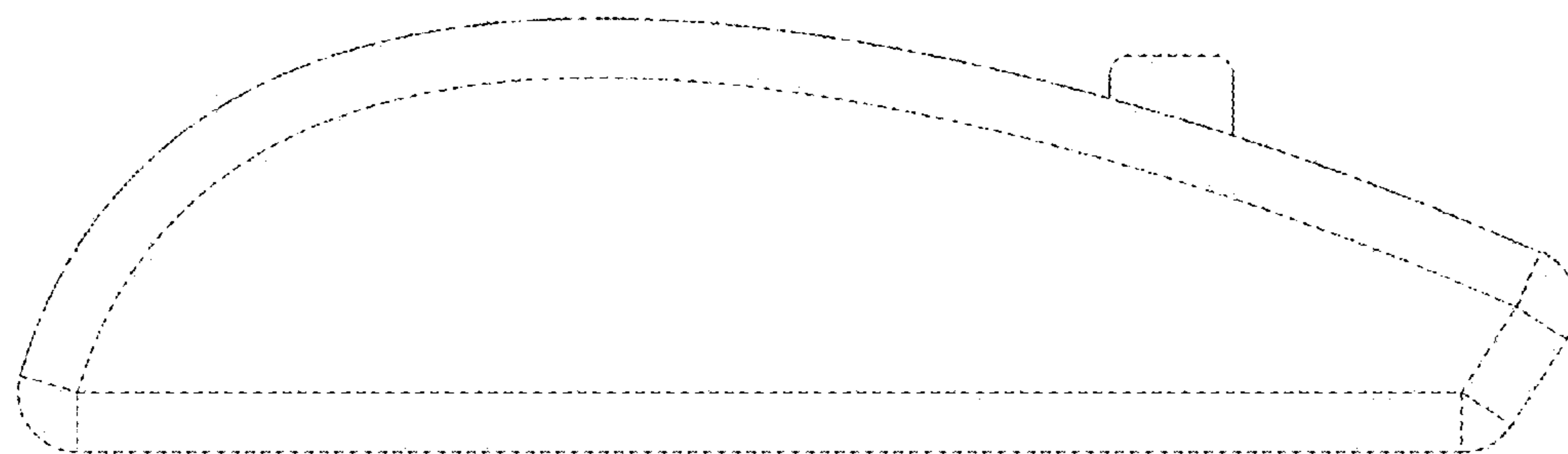


FIG. 4

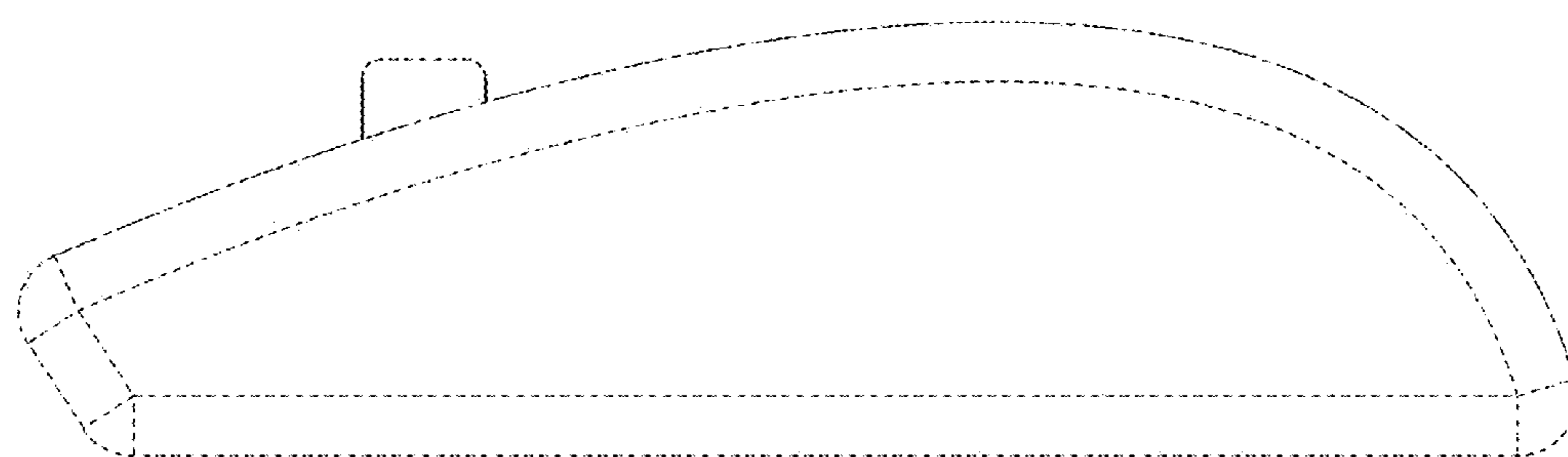


FIG. 5

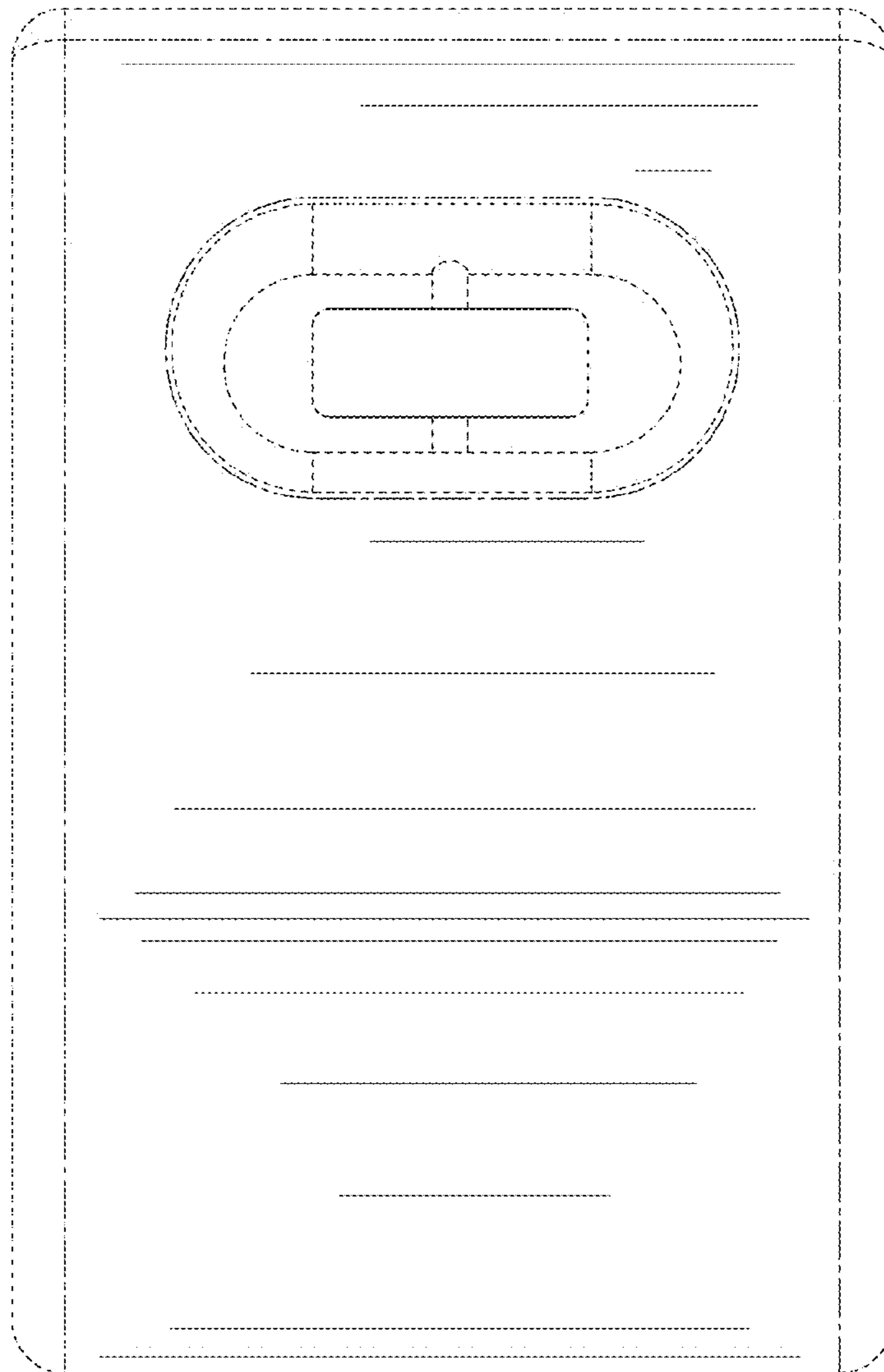


FIG. 6



FIG. 7