



US00D728571S

(12) **United States Design Patent**
Perris

(10) **Patent No.:** **US D728,571 S**
(45) **Date of Patent:** **** May 5, 2015**

(54) **COMPUTER INPUT DEVICE**

D358,143 S * 5/1995 Gombert et al. D14/410
(Continued)

(75) Inventor: **Michele Perris**, Monaco (MC)

FOREIGN PATENT DOCUMENTS

(73) Assignee: **Société Civile (“GALILEO 2011”)**,
Monaco (MC)

EP 0001054407-0001 S 12/2008
JP 1373316 S 2/2009

(**) Term: **14 Years**

OTHER PUBLICATIONS

(21) Appl. No.: **29/412,962**

3DConnexion SpaceMouse Pro [Review] [online]. Mings, Josh,
2012 [retrieved on May 23, 2014]. Retrieved from the Internet:
<URL: [http://www.solidsmack.com/software-hardware-reviews/
3dconnexion-spacemouse-pro-review/](http://www.solidsmack.com/software-hardware-reviews/3dconnexion-spacemouse-pro-review/)>.*

(22) Filed: **Feb. 9, 2012**

(Continued)

(30) **Foreign Application Priority Data**

Nov. 22, 2011 (EM) 001 303 234-0001
Nov. 22, 2011 (EM) 001 303 234-0002

Primary Examiner — Deanna L Pratt

(51) **LOC (10) Cl.** **14-02**

(74) *Attorney, Agent, or Firm* — Christensen O’Connor
Johnson Kindness PLLC

(52) **U.S. Cl.**

USPC **D14/399**; D14/413

(58) **Field of Classification Search**

USPC 200/341; 343/169, 700–705, 711–713,
343/795, 819, 840, 846, 871–908;
361/679.01, 679.11, 679.17, 679.18,
361/679.2; 455/90.2, 90.3, 91, 128, 269,
455/344, 347, 562, 562.1, 575.1, 575.3;
600/300–301, 368, 372; 710/67;
D10/46, 49, 65, 78, 104; D12/42, 43,
D12/199; D13/162–163, 168, 171;
D14/137, 138, 138 AA, 138 AB,
D14/138 AC, 138 AD, 138 C, 138 G, 138 R,
D14/144, 147, 191, 203.1–203.8, 218, 244,
D14/247–248, 299, 318, 333, 341–347, 358,
D14/388, 391–392, 394–399, 432, 439,
D14/455–456, 496, 412–416; D18/7;
D24/107–108, 138, 158, 164–165,
D24/185–186, 231–232

(57) **CLAIM**

The ornamental design for a computer input device, as shown
and described.

See application file for complete search history.

DESCRIPTION

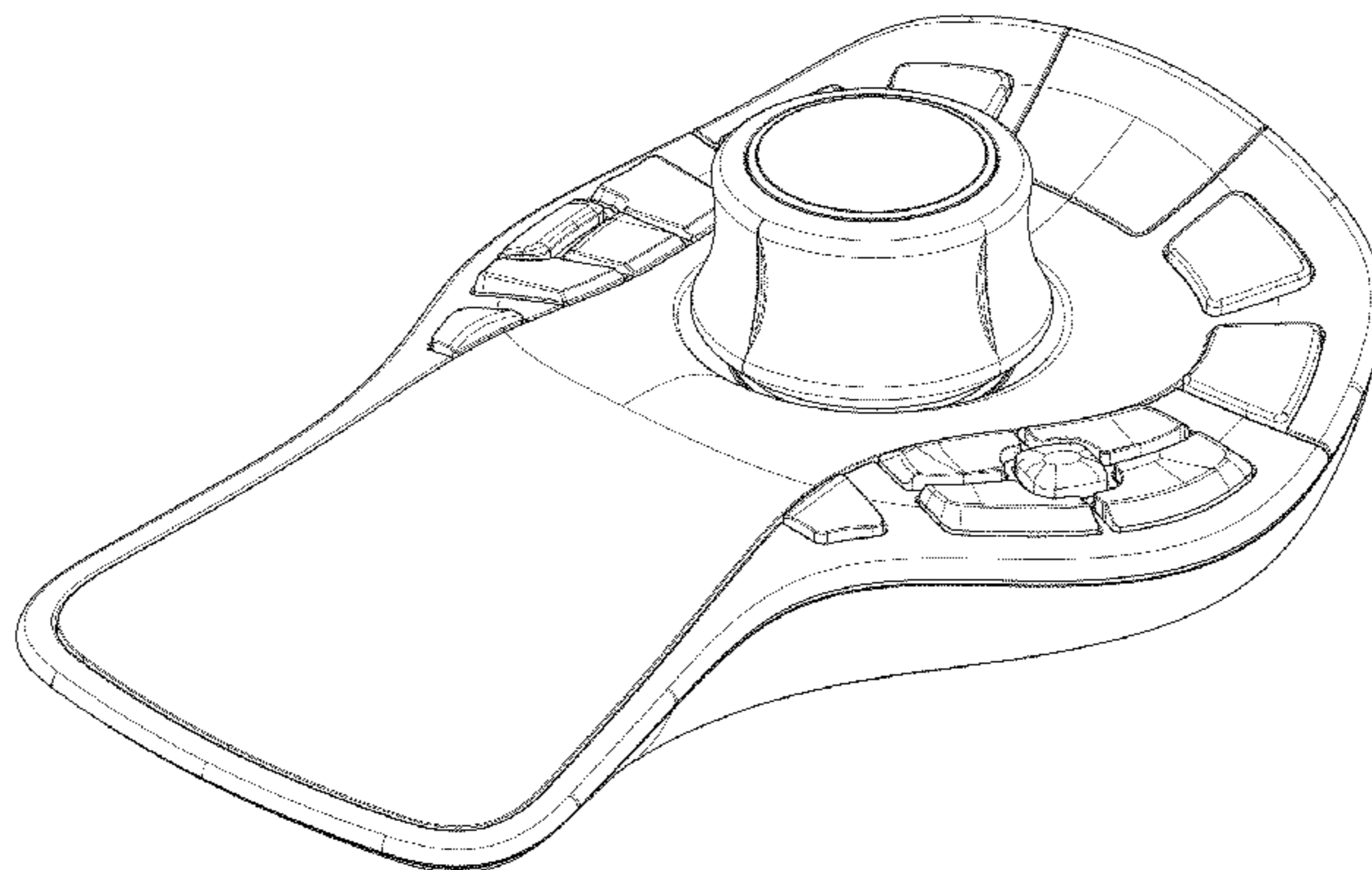
FIG. 1 is a rear view of a computer input device, showing my
new design;
FIG. 2 is a front view thereof;
FIG. 3 is a left side view thereof;
FIG. 4 is a right side view thereof;
FIG. 5 is a perspective top view thereof;
FIG. 6 is a bottom view thereof;
FIG. 7 is a top view thereof; and,
FIG. 8 is another top view thereof, wherein the computer
input device is shown at a 15-degree incline.
The environment in which the computer input device is used
includes a computer and a computer cable (e.g., a universal
serial bus cable), neither of which form a part of the invention.

(56) **References Cited**

U.S. PATENT DOCUMENTS

D322,605 S * 12/1991 Hayes D14/417

1 Claim, 8 Drawing Sheets



(56)

References Cited

U.S. PATENT DOCUMENTS

5,515,044 A * 5/1996 Glatt 341/22
D385,854 S * 11/1997 Sumii D14/399
D441,760 S * 5/2001 Hibino D14/454
D448,378 S * 9/2001 Arnold et al. D14/396
D454,350 S * 3/2002 Jang D14/400
D492,282 S * 6/2004 Lachello et al. D14/218
D501,477 S * 2/2005 Hall D14/396
D503,928 S * 4/2005 Obata D13/164
D506,758 S * 6/2005 Boswell et al. D14/413
D517,589 S * 3/2006 Muto et al. D16/237
D553,620 S * 10/2007 Schroeder D14/402

D589,046 S * 3/2009 Pascucci D14/408
D615,544 S * 5/2010 Pascucci D14/399
D658,184 S * 4/2012 Chang et al. D14/413
D702,685 S * 4/2014 Pascucci D14/408
2007/0164995 A1 * 7/2007 Pascucci 345/161
2008/0001919 A1 * 1/2008 Pascucci 345/163

OTHER PUBLICATIONS

Japan Patent Office Examiner, Notice of Reasons for Rejection (Office Action), mailed Jun. 5, 2012 from Japan.

Translation of Japan Patent Office Examiner, Notice of Reasons for Rejection (Office Action), mailed Jun. 5, 2012 from Japan.

* cited by examiner

FIG. 1

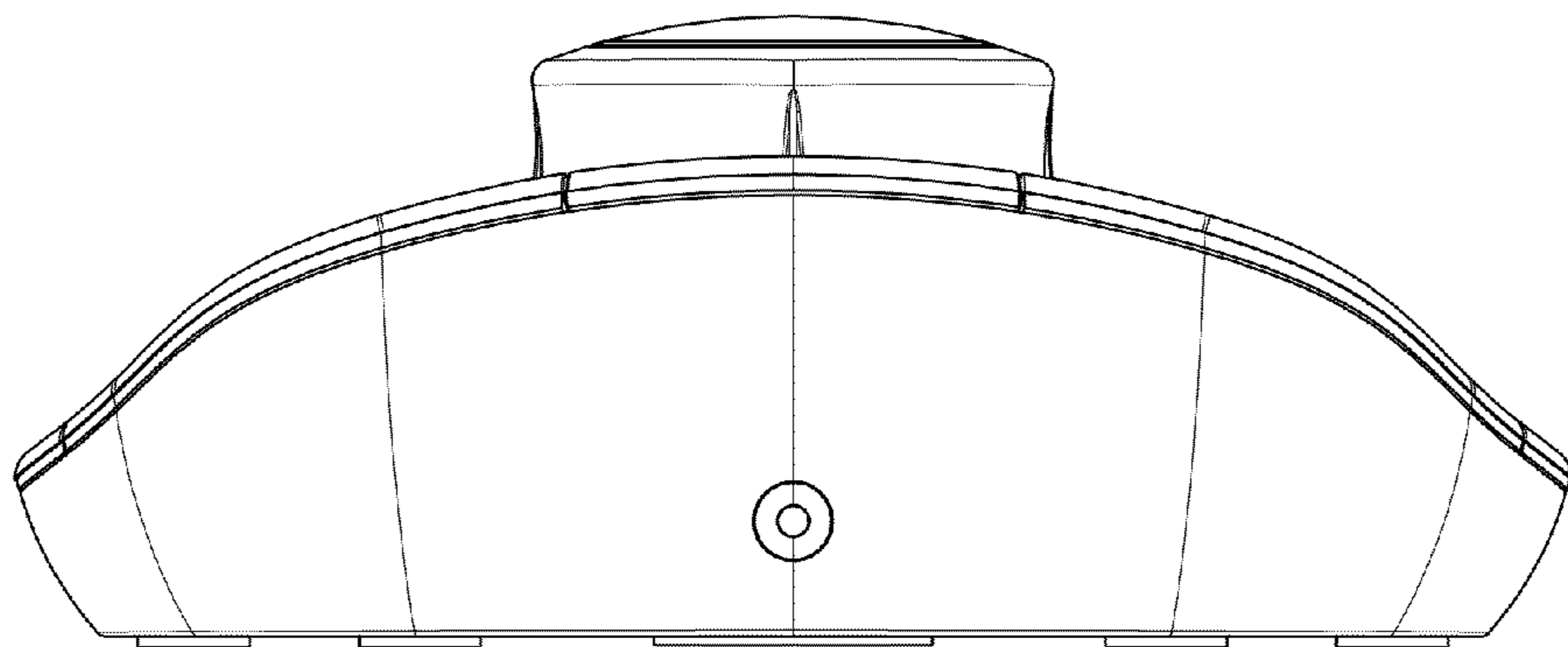


FIG. 2

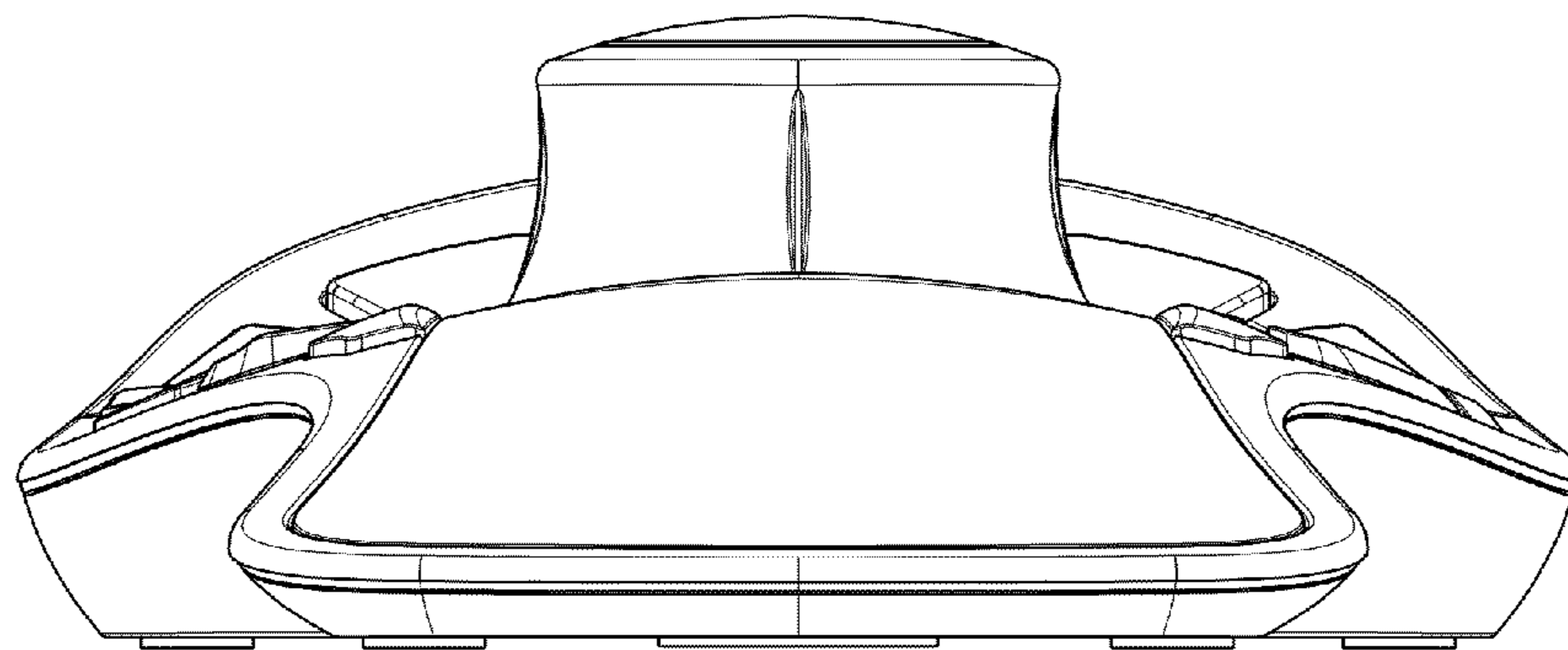


FIG. 3

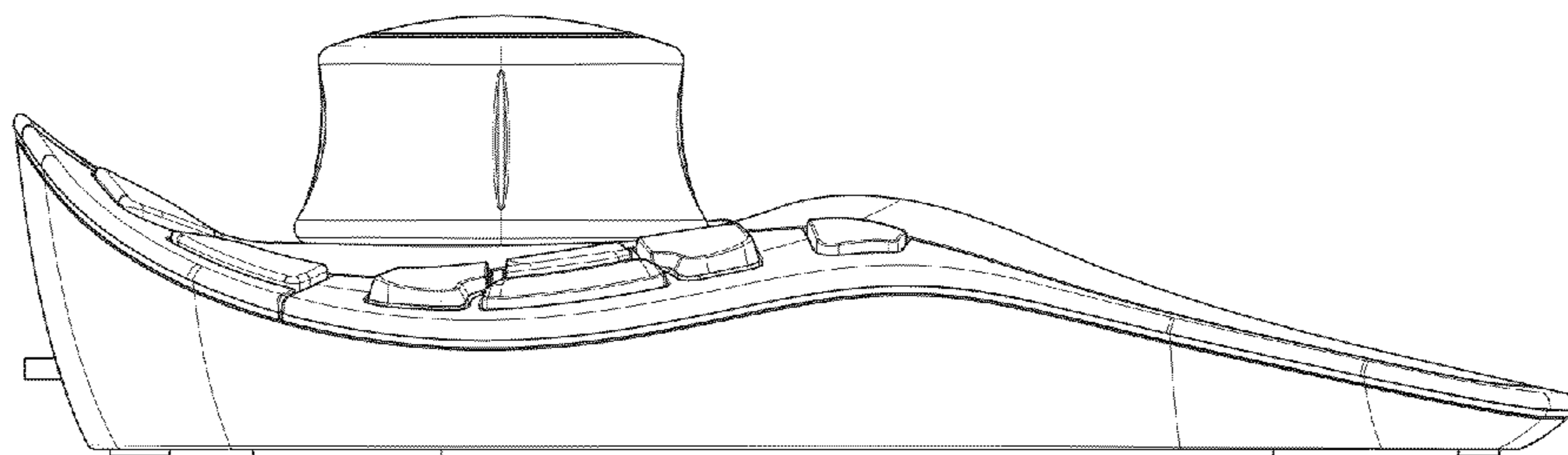


FIG. 4

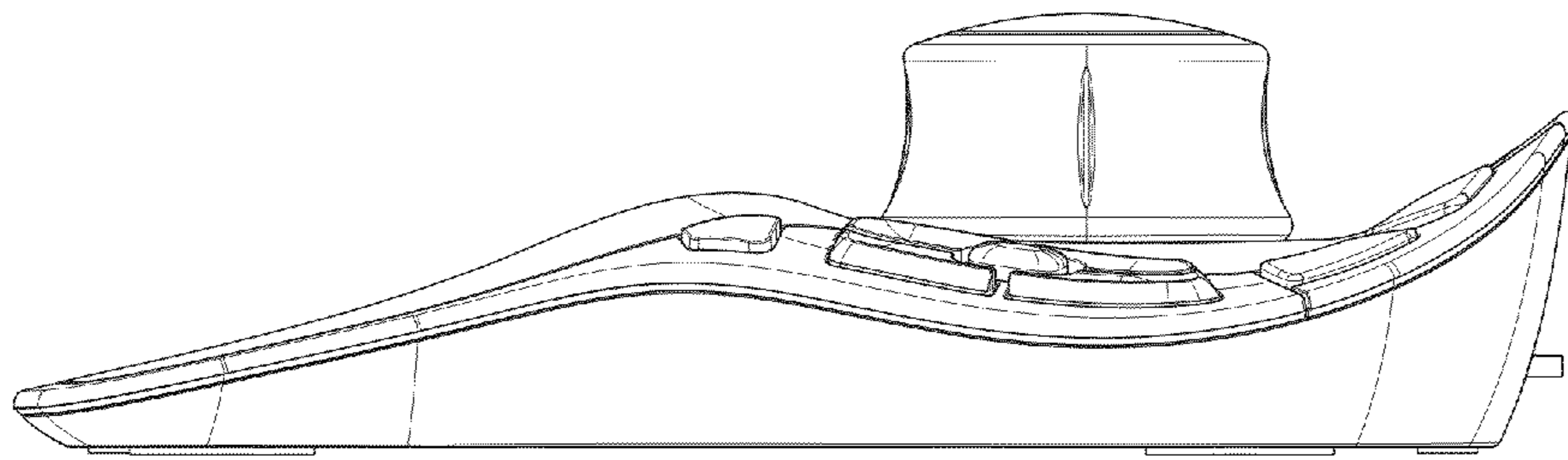


FIG. 5

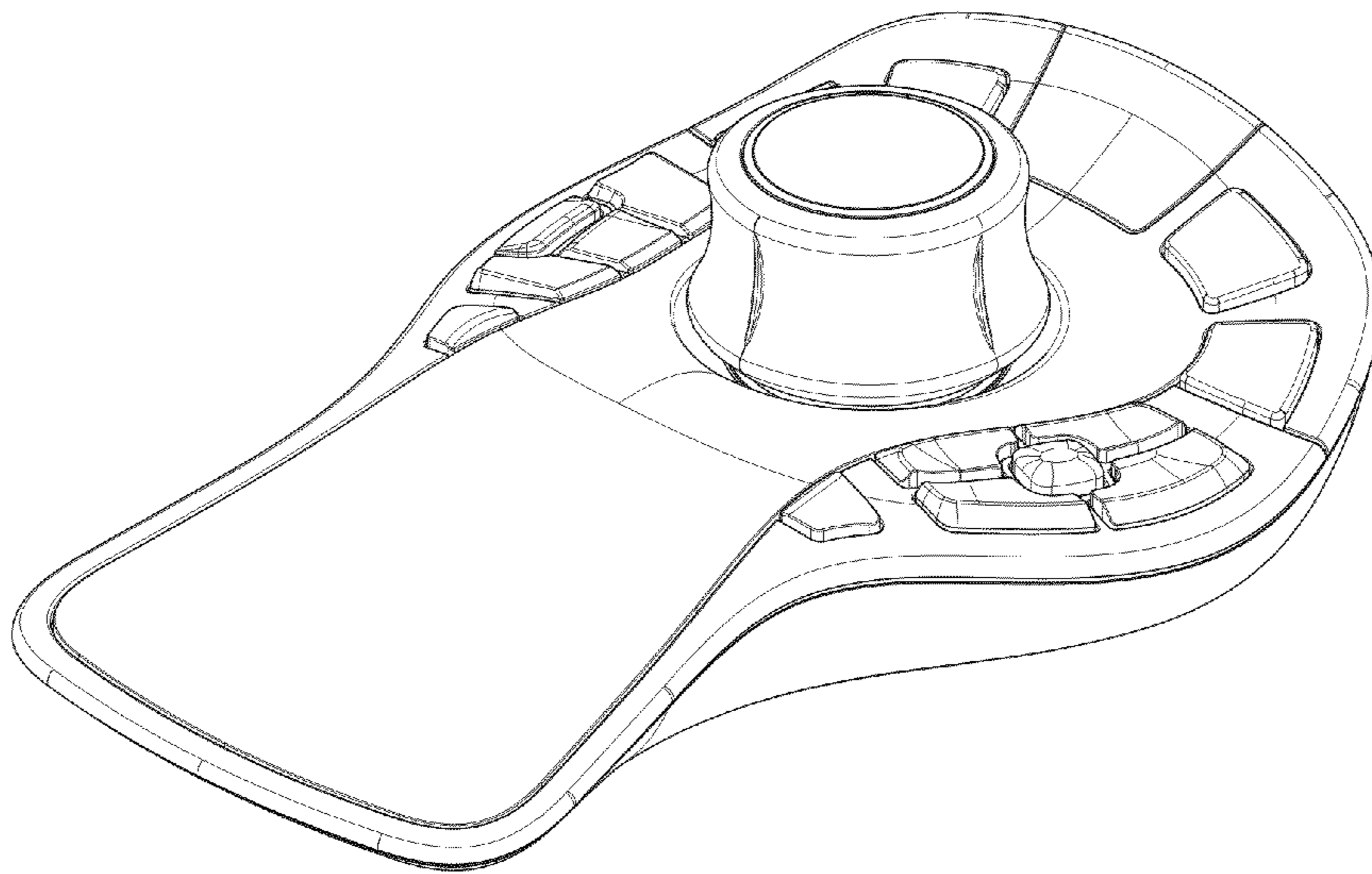


FIG. 6

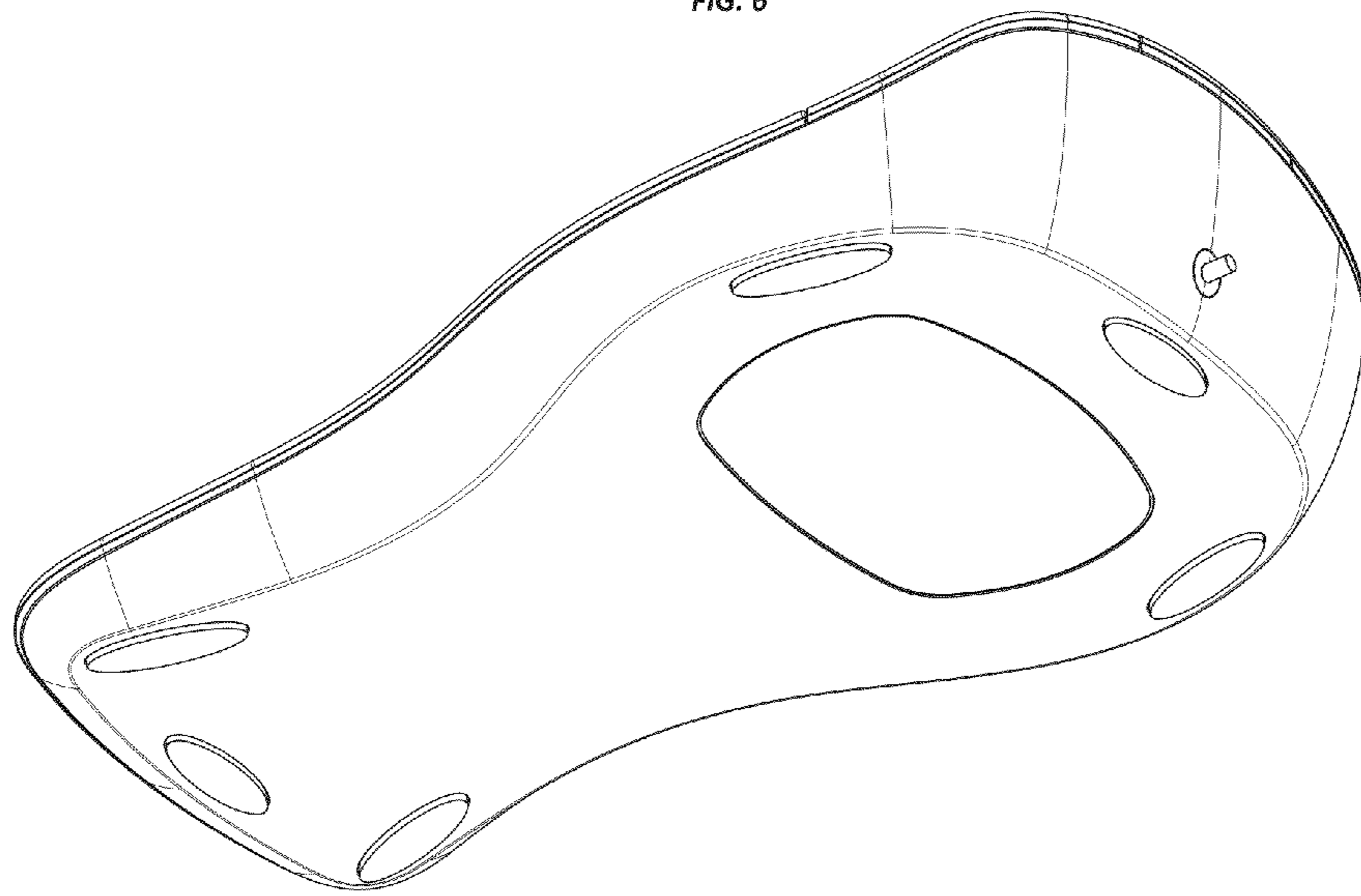


FIG. 7

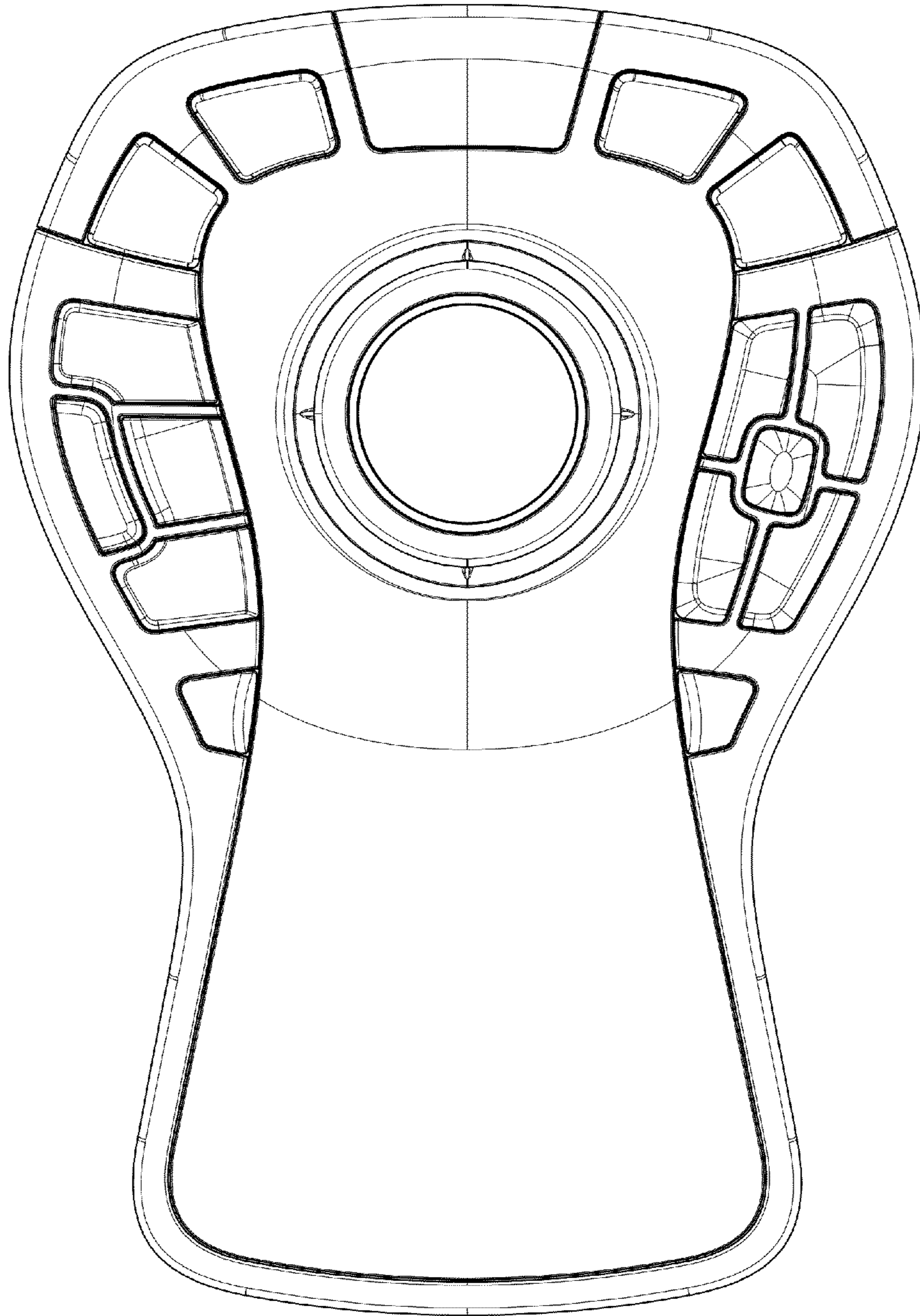


FIG. 8

