



US00D728568S

(12) **United States Design Patent**
Debaigue et al.

(10) **Patent No.:** **US D728,568 S**

(45) **Date of Patent:** **** May 5, 2015**

(54) **CARD READER FOR A MOBILE DEVICE**

(71) Applicant: **Ebay Inc.**, San Jose, CA (US)

(72) Inventors: **Arthur Kenzo Debaigue**, San Francisco, CA (US); **Yves Behar**, San Francisco, CA (US)

(73) Assignee: **Ebay Inc.**, San Jose, CA (US)

(**) Term: **14 Years**

(21) Appl. No.: **29/467,890**

(22) Filed: **Sep. 24, 2013**

(51) **LOC (10) Cl.** **14-02**

(52) **U.S. Cl.**
USPC **D14/385**

(58) **Field of Classification Search**
CPC G06K 7/10237
USPC D18/3.1-3.3, 4.1-4.6, 6-8, 11, 12,
D18/12.1-12.3; D21/324, 325, 332;
D99/28, 34-36, 43; 235/1 E, 7 R, 12,
235/22, 33, 51, 52, 2; 705/12, 15-18, 43;
D14/383, 384, 385, 386, 387

See application file for complete search history.

(56) **References Cited**

U.S. PATENT DOCUMENTS

D433,231 S *	11/2000	Kaplan	D3/294
D472,464 S *	4/2003	Snider	D3/294
D675,618 S *	2/2013	Behar et al.	D14/385
D686,208 S *	7/2013	Miller et al.	D14/385
D687,829 S *	8/2013	Miller et al.	D14/385
D700,606 S *	3/2014	Lo	D14/385
D706,266 S *	6/2014	Rotsaert	D14/385

* cited by examiner

Primary Examiner — Adir Aronovich
Assistant Examiner — Ethiene Salgado-Rodriguez
(74) *Attorney, Agent, or Firm* — Haynes and Boone, LLP

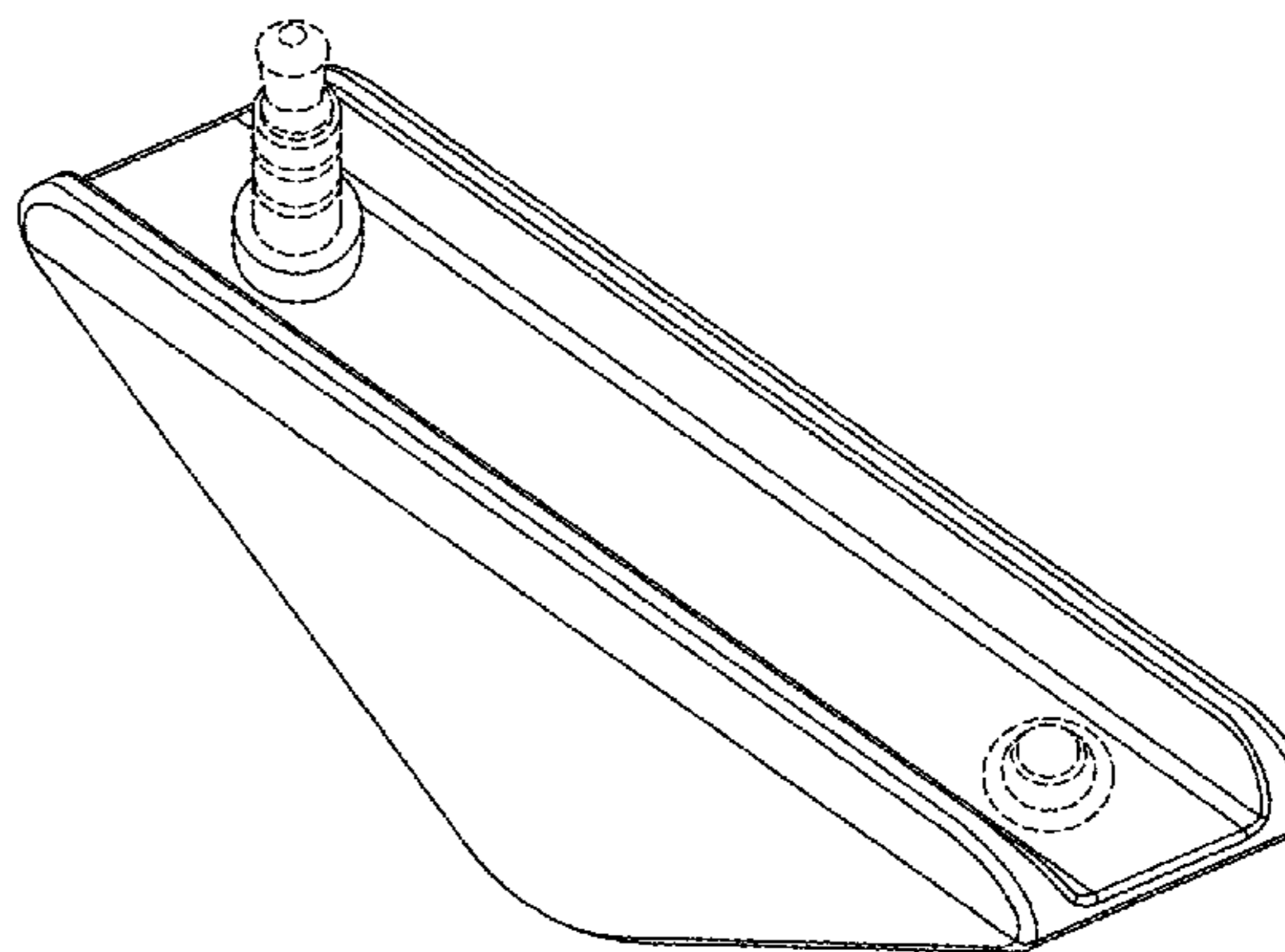
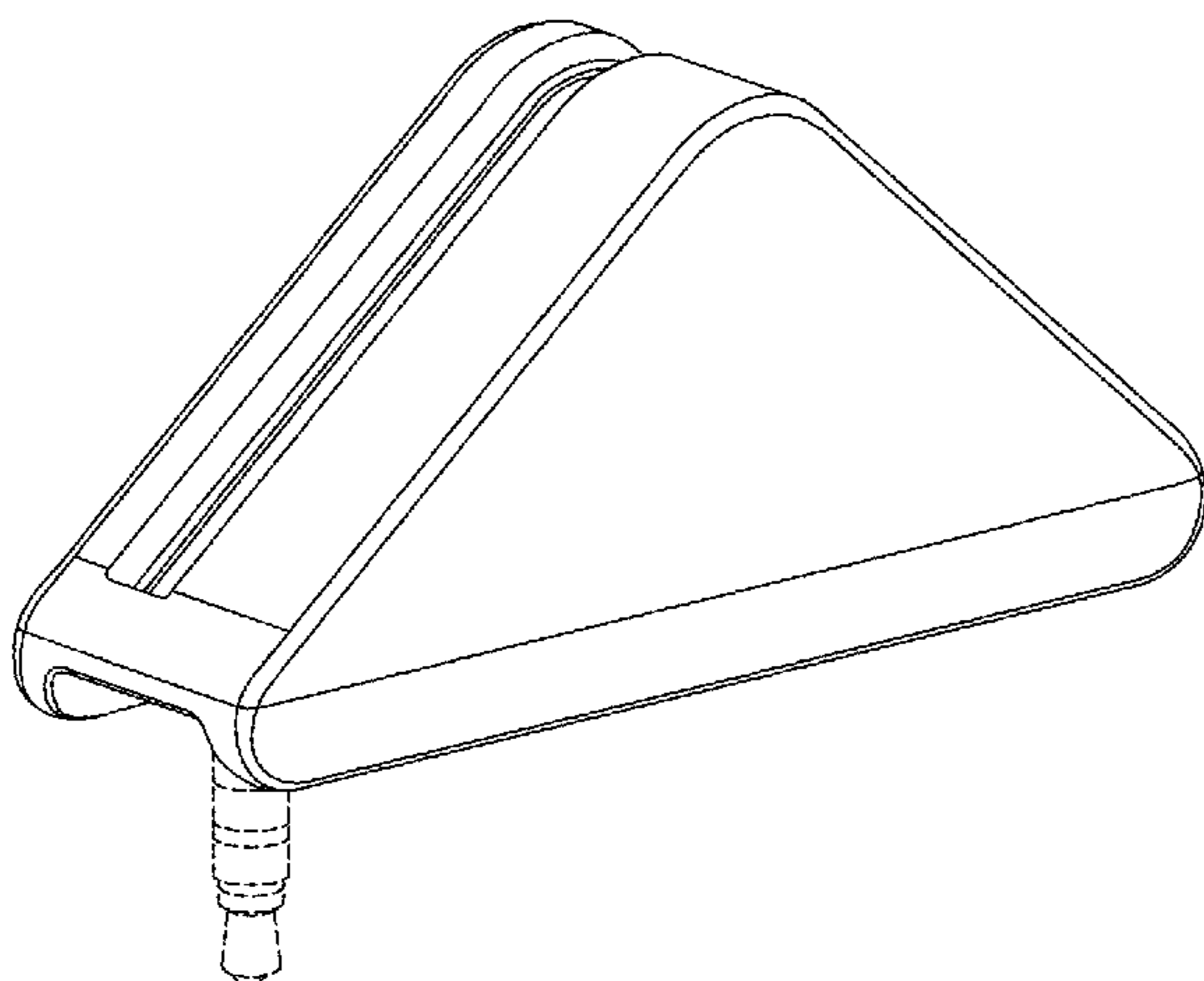
(57) **CLAIM**

The ornamental designs for a card reader for a mobile device, as shown and described.

DESCRIPTION

FIG. 1 is a top perspective view of a card reader for a mobile device, showing our new design;
FIG. 2 is a bottom perspective view thereof;
FIG. 3 is a front elevational view thereof;
FIG. 4 is a right side elevational view thereof;
FIG. 5 is a left side elevational view thereof;
FIG. 6 is a rear elevational view thereof;
FIG. 7 is a top plan view thereof; and,
FIG. 8 is a bottom plan view thereof.
In the drawings, the broken lines depict environmental subject matter only and form no part of the claimed design.

1 Claim, 4 Drawing Sheets



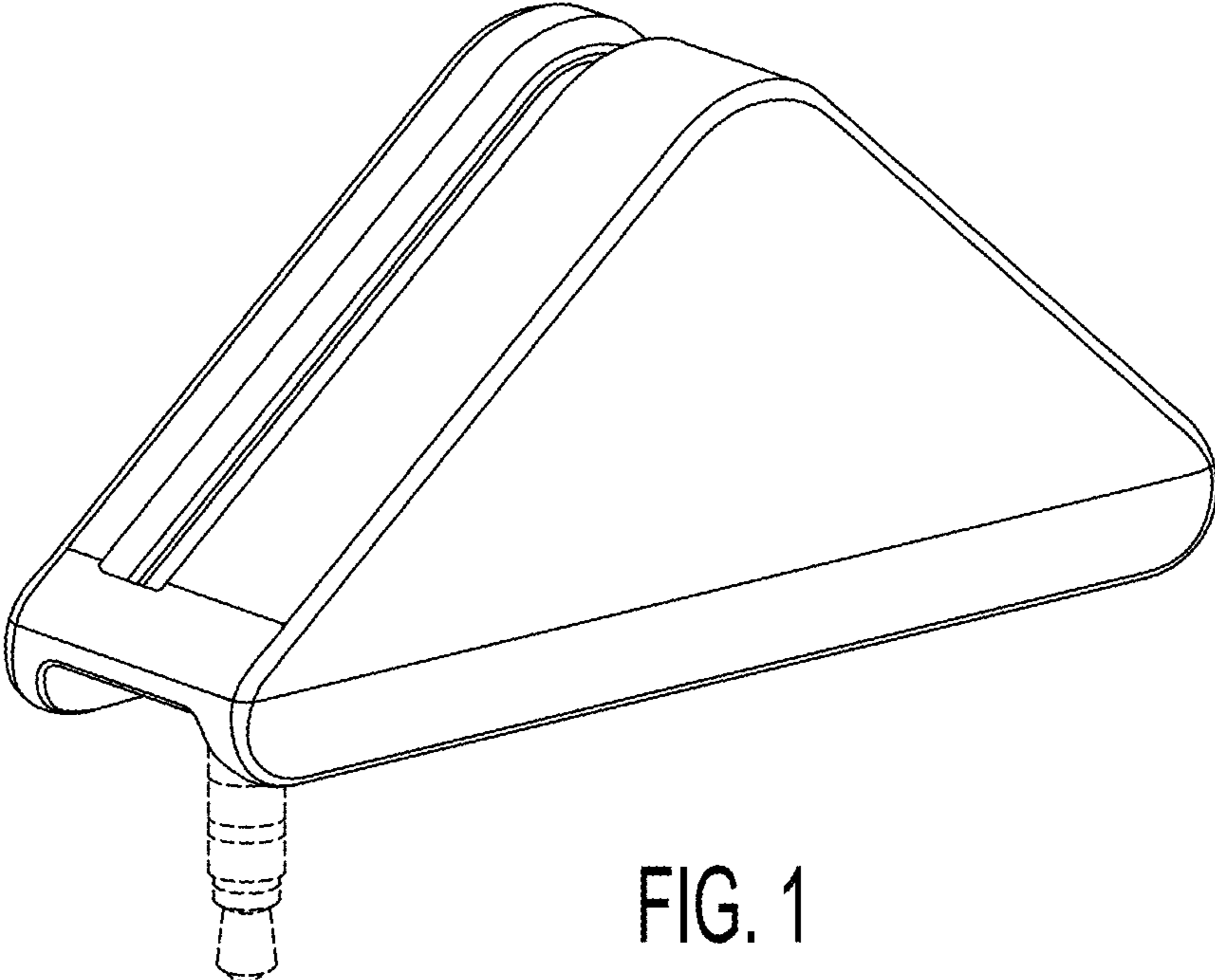


FIG. 1

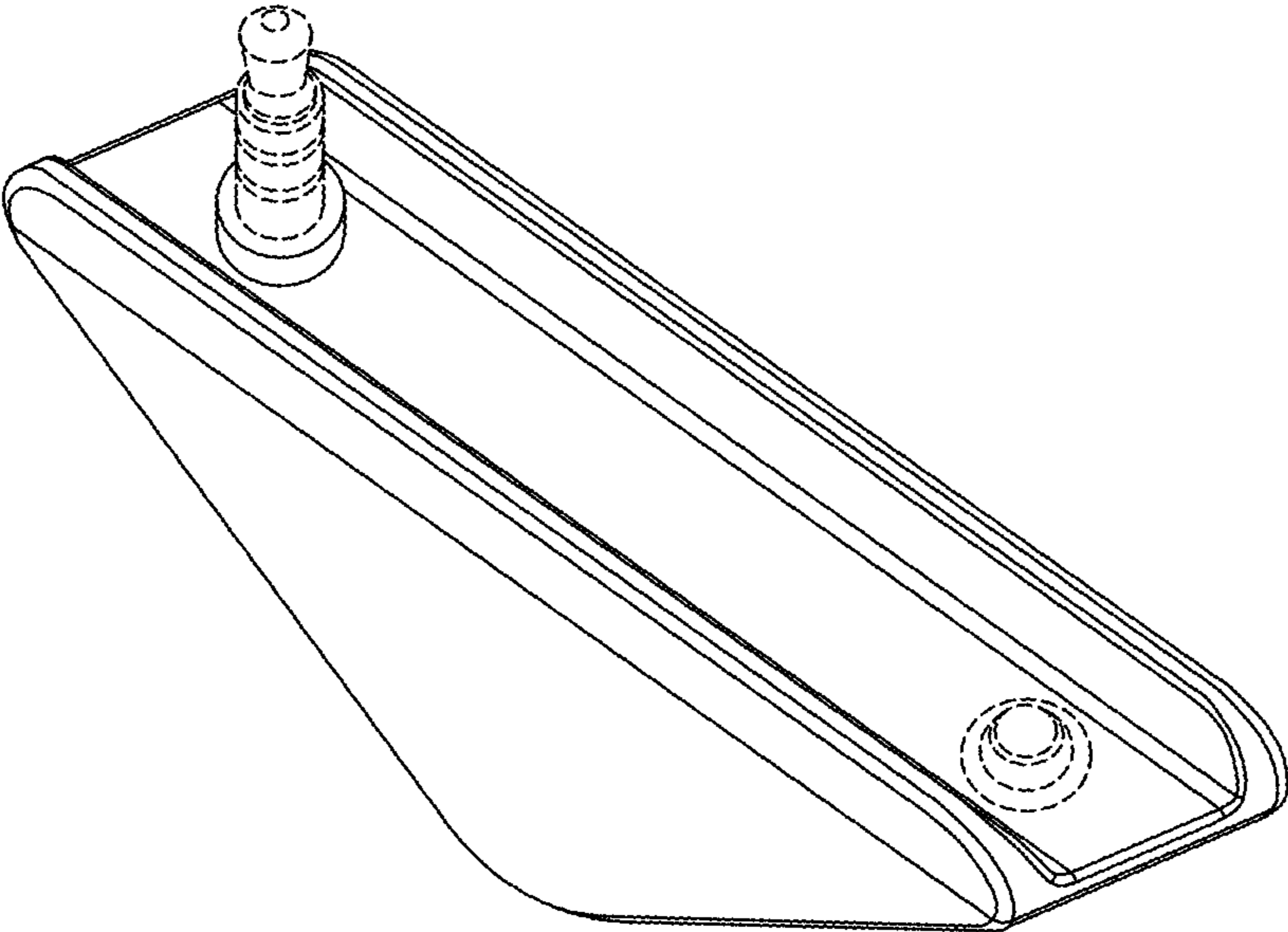


FIG. 2

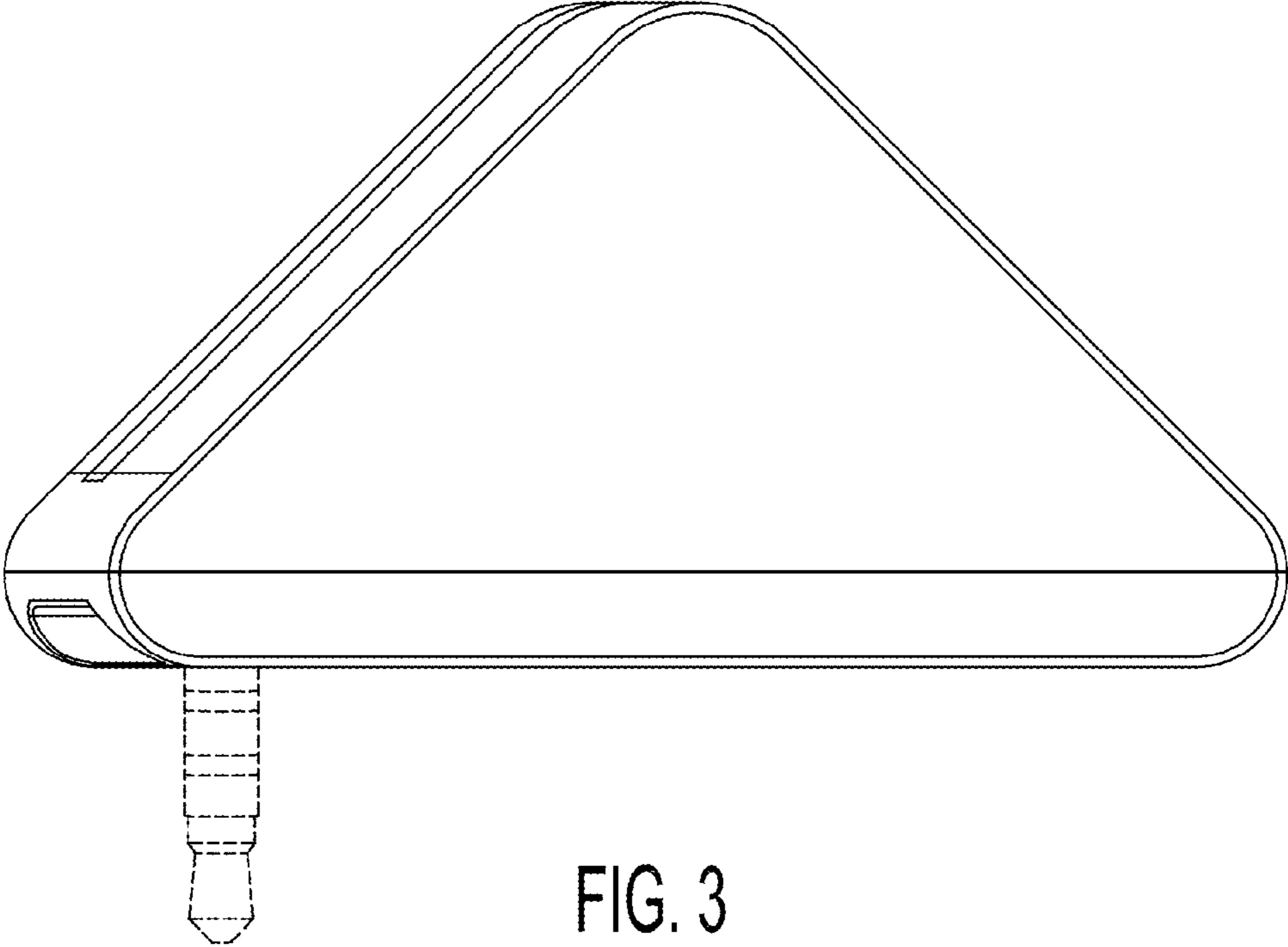


FIG. 3

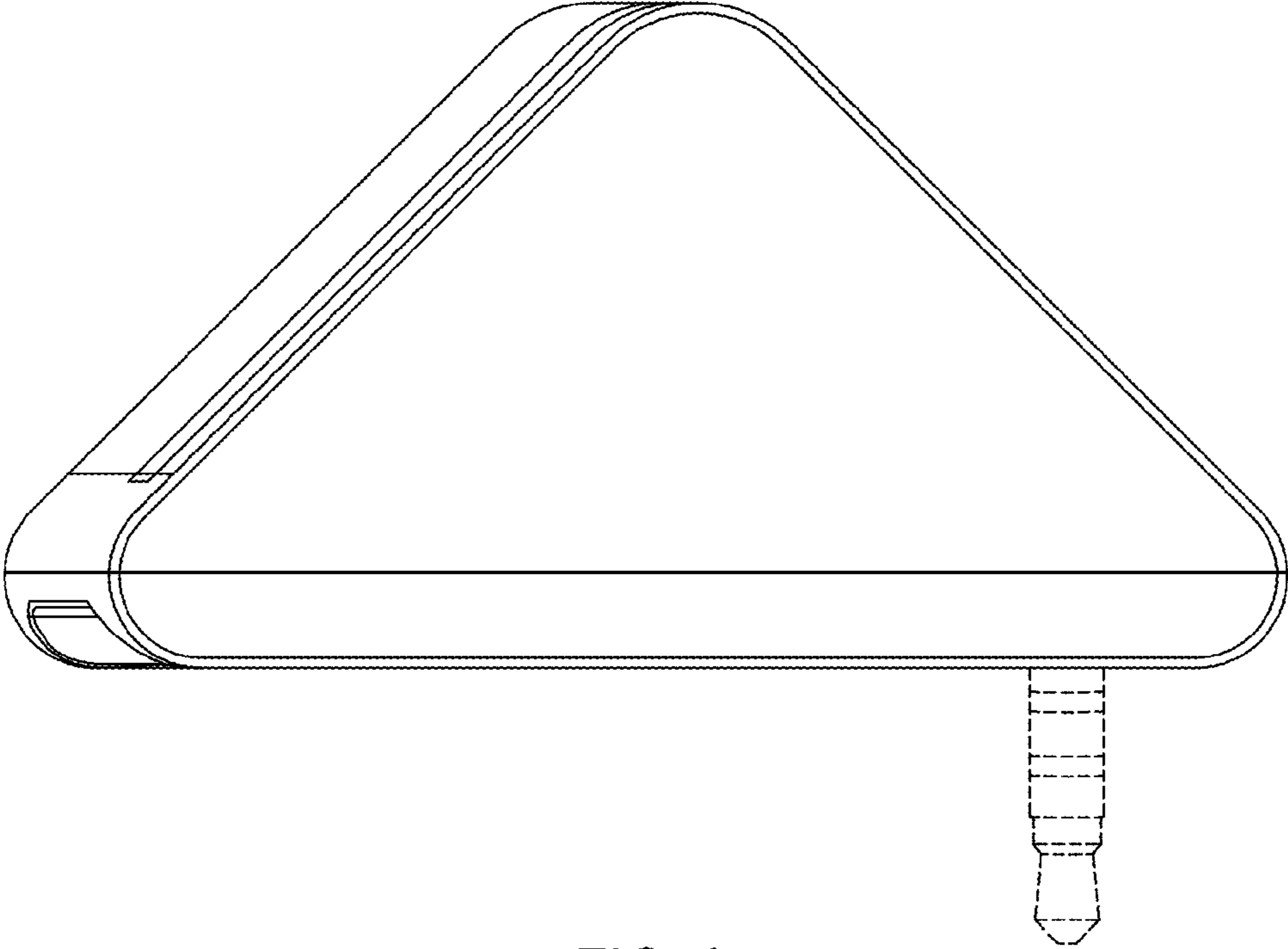


FIG. 6

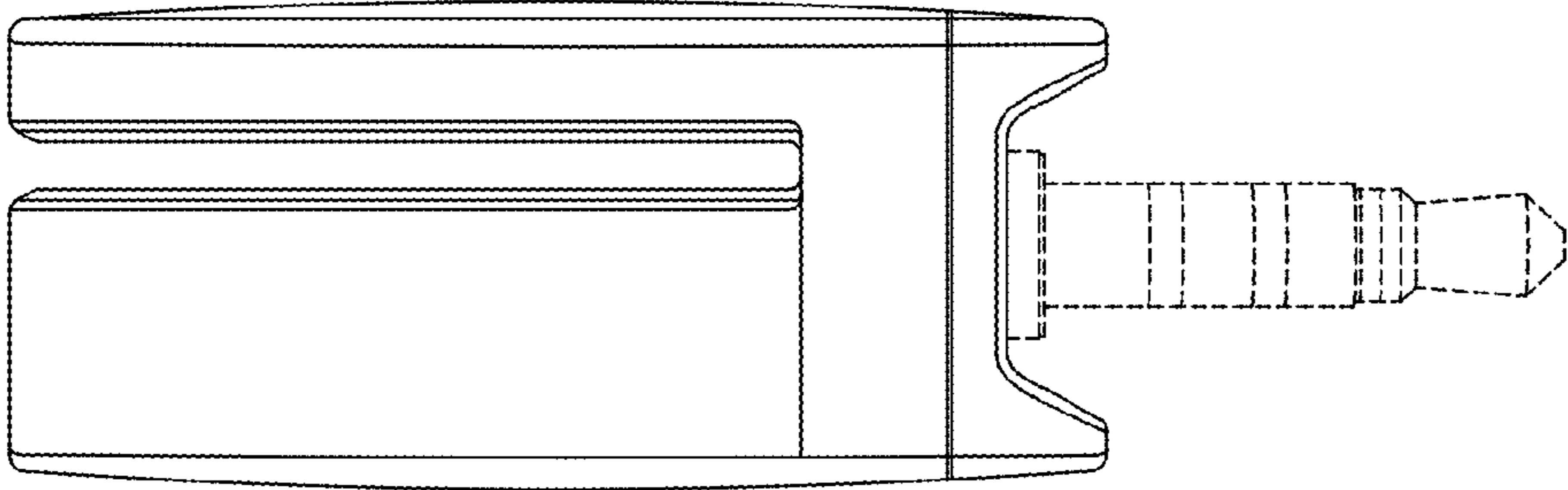


FIG. 5

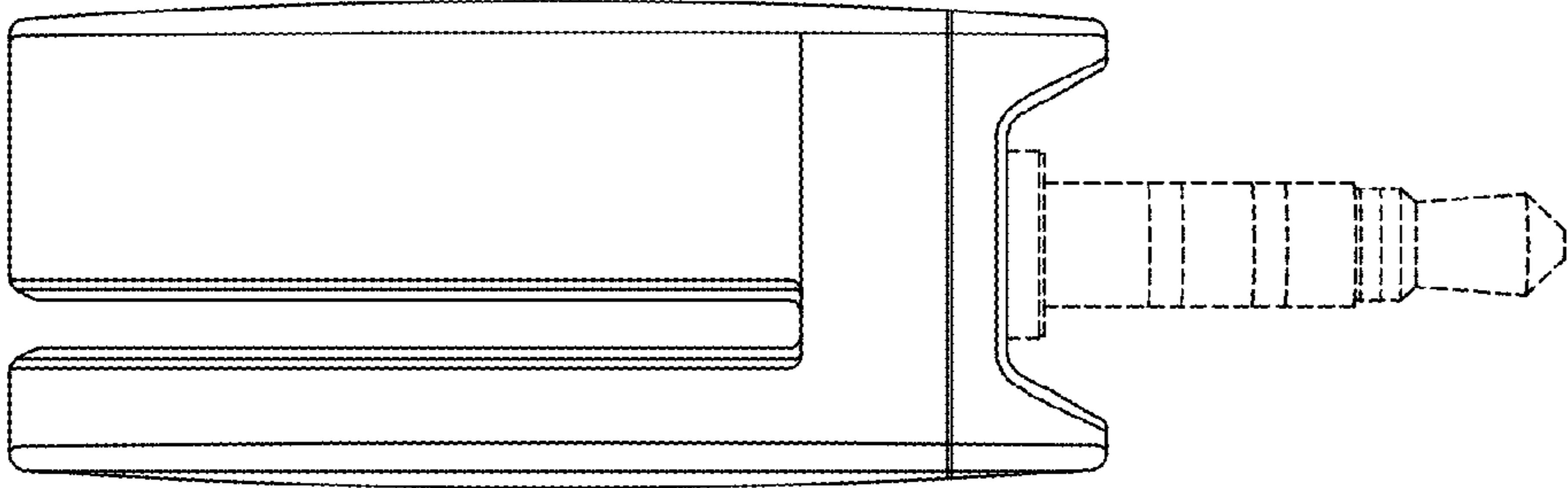


FIG. 4

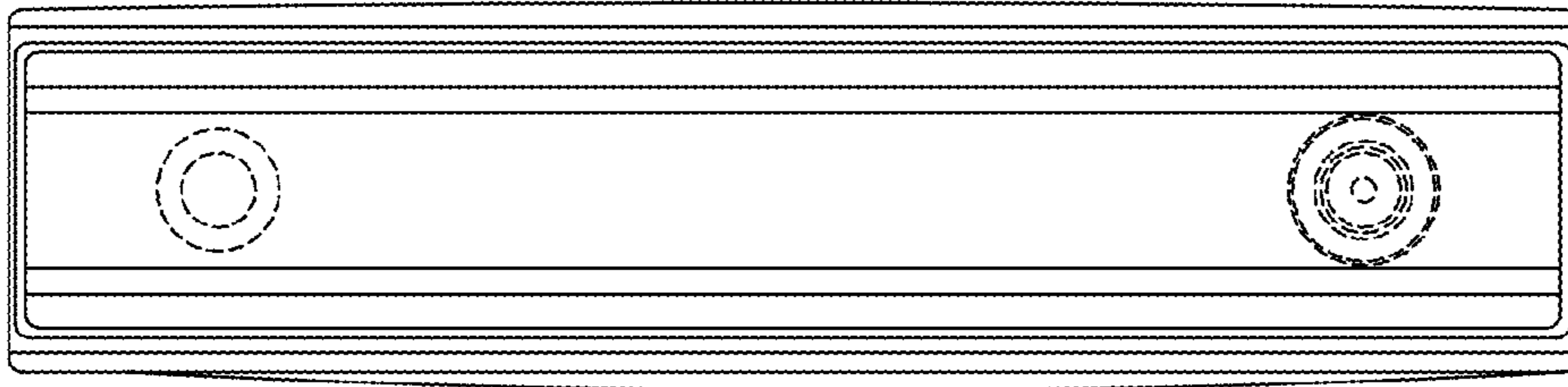


FIG. 8

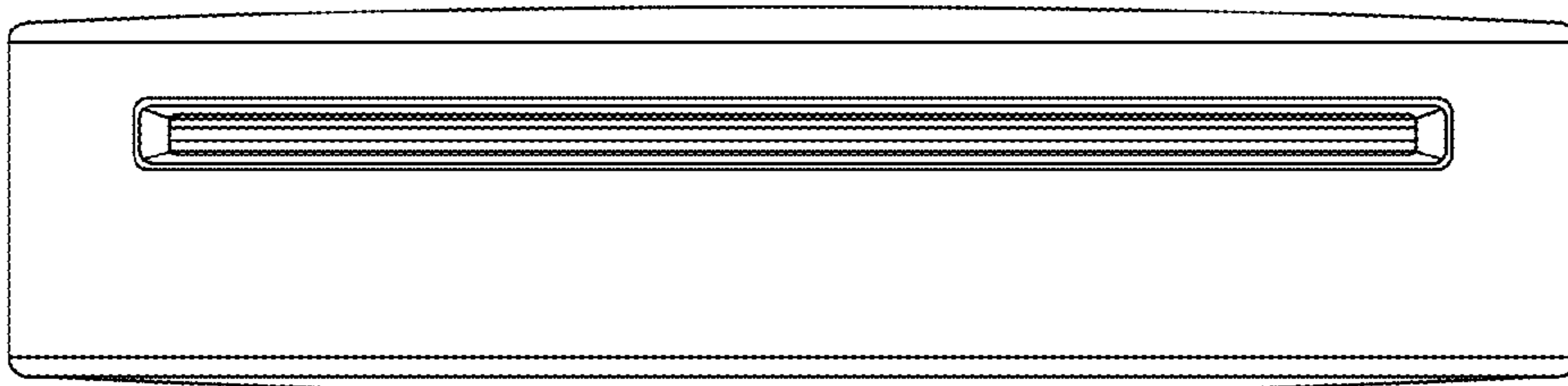


FIG. 7