



US00D728564S

(12) **United States Design Patent**
Olsson et al.

(10) **Patent No.:** **US D728,564 S**
(45) **Date of Patent:** **** May 5, 2015**

(54) **WEARABLE DISPLAY DEVICE AND CONNECTION CABLE COMBINATION**

(71) Applicant: **Google Inc.**, Mountain View, CA (US)

(72) Inventors: **Maj Isabelle Olsson**, San Francisco, CA (US); **Matthew Wyatt Martin**, Ross, CA (US)

(73) Assignee: **Google Inc.**, Mountain View, CA (US)

(**) Term: **14 Years**

(21) Appl. No.: **29/504,007**

(22) Filed: **Oct. 1, 2014**

Related U.S. Application Data

(62) Division of application No. 29/416,462, filed on Mar. 22, 2012, now Pat. No. Des. 716,805.

(51) **LOC (10) Cl.** **14-02**

(52) **U.S. Cl.**
USPC **D14/372**

(58) **Field of Classification Search**
CPC G02B 27/017; G02B 27/0158; G02B 27/0161; G02B 27/0181; G02B 27/0185; G02B 27/0189
USPC D14/372, 496, 432, 371, 125, 126, 129, D14/299; D16/300-342; 351/158, 153, 144; 345/7-9, 905; 455/344; 348/115, 53, 348/121, 739
See application file for complete search history.

(56) **References Cited**

U.S. PATENT DOCUMENTS

D327,079 S	6/1992	Allen
D334,557 S	4/1993	Hunter et al.
D337,320 S	7/1993	Hunter et al.
D402,651 S	12/1998	Depay et al.
D429,253 S	8/2000	Robertson et al.
D436,960 S	1/2001	Budd et al.

6,747,611 B1	6/2004	Budd et al.
D512,985 S	12/2005	Travers et al.
D533,893 S	12/2006	Canavan et al.
D559,250 S	1/2008	Pombo
D565,082 S	3/2008	McClure et al.
D566,744 S	4/2008	Travers et al.
D602,064 S	10/2009	Mitsui et al.
7,631,968 B1	12/2009	Dobson et al.
7,753,520 B2	7/2010	Fuziak, Jr.
D647,123 S	10/2011	Cho
D649,177 S	11/2011	Cho et al.
D659,137 S	5/2012	Matsumoto

(Continued)

Primary Examiner — Austin Murphy

(74) *Attorney, Agent, or Firm* — Lerner, David, Littenberg, Krumholz & Mentlik, LLP

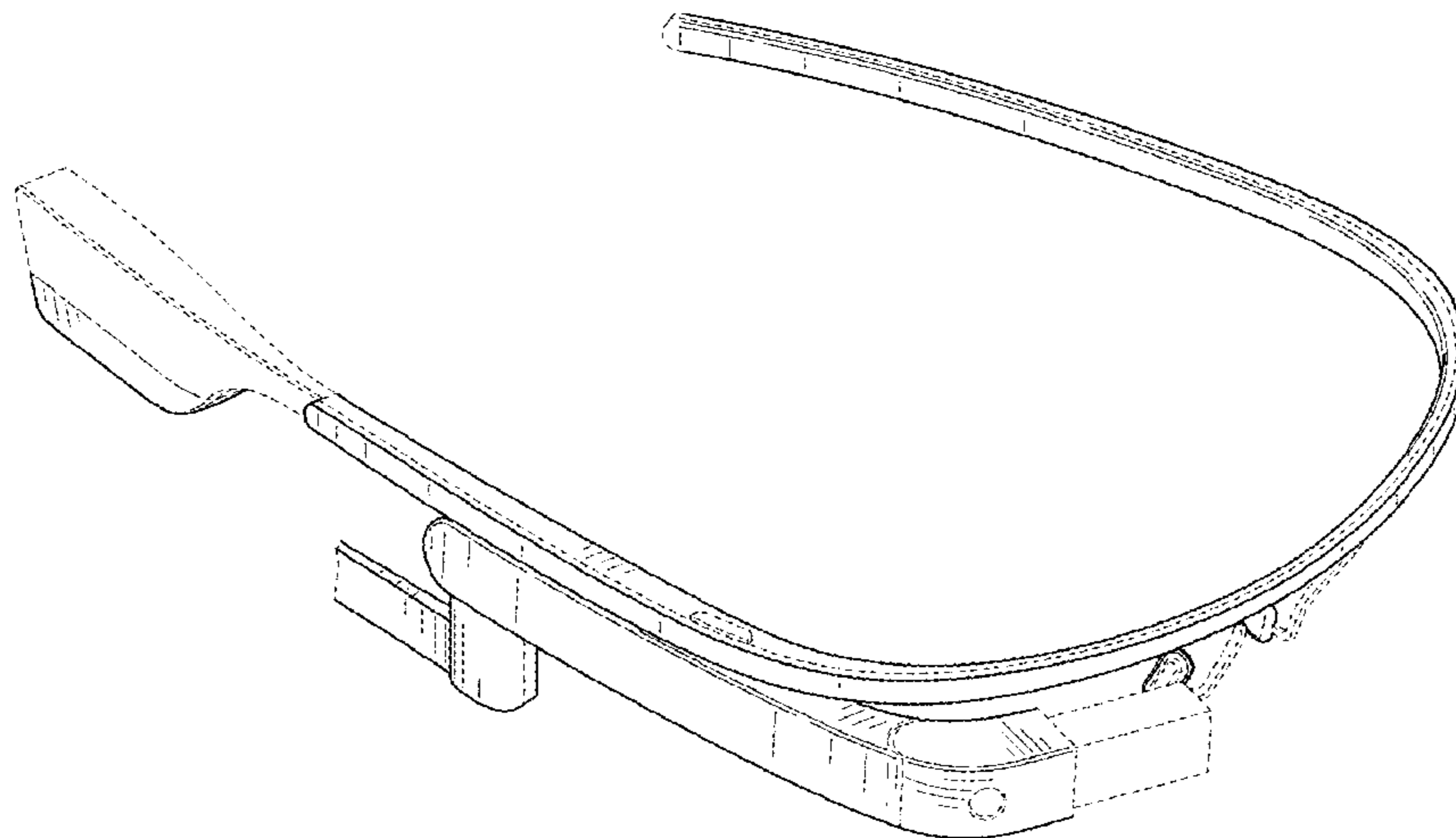
(57) **CLAIM**

The ornamental design for a wearable display device and connection cable combination, as shown and described.

DESCRIPTION

FIG. 1 is a front perspective view of a wearable display device and connection cable combination according to our design; FIG. 2 is a front elevation view of the wearable display device and connection cable combination of FIG. 1; FIG. 3 is a back elevation view of the wearable display device and connection cable combination of FIG. 1; FIG. 4 is a right elevation view of the wearable display device and connection cable combination of FIG. 1; FIG. 5 is a left elevation view of the wearable display device and connection cable combination of FIG. 1; FIG. 6 is a top elevation view of the wearable display device and connection cable combination of FIG. 1; and, FIG. 7 is a bottom elevation view of the wearable display device and connection cable combination of FIG. 1. Broken lines are environmental only and form no part of the claimed design. Dash-dot lines represent bounds of associated portions of the claimed design and form no part of the claimed design.

1 Claim, 5 Drawing Sheets



(56)

References Cited

U.S. PATENT DOCUMENTS

D659,739 S 5/2012 Olsson et al.
 D659,740 S * 5/2012 Olsson et al. D16/300
 D659,741 S * 5/2012 Heinrich et al. D16/309
 D660,341 S 5/2012 Olsson et al.
 D662,964 S 7/2012 Olsson et al.
 D664,184 S 7/2012 Olsson et al.
 D664,185 S * 7/2012 Heinrich et al. D16/309
 D664,586 S 7/2012 Olsson
 D666,237 S 8/2012 Olsson et al.
 D669,066 S 10/2012 Olsson et al.
 D671,589 S 11/2012 Olsson
 D680,152 S 4/2013 Olsson et al.
 D688,727 S * 8/2013 Olsson D16/300
 D691,602 S 10/2013 Sugihara et al.

D692,424 S 10/2013 Pombo et al.
 D697,962 S 1/2014 Olsson
 D701,506 S 3/2014 Pombo
 D703,724 S 4/2014 Olsson
 D708,181 S * 7/2014 Olsson et al. D14/372
 D711,373 S * 8/2014 Lee et al. D14/372
 D711,374 S * 8/2014 Lee et al. D14/372
 D711,375 S * 8/2014 Lee et al. D14/372
 D711,376 S * 8/2014 Lee et al. D14/372
 D713,406 S * 9/2014 Pombo et al. D14/372
 D716,299 S * 10/2014 Olsson et al. D14/372
 D716,805 S * 11/2014 Olsson et al. D14/372
 D716,806 S * 11/2014 Olsson et al. D14/372
 D716,808 S * 11/2014 Yeom et al. D14/372
 2005/0219152 A1 * 10/2005 Budd et al. 345/8
 2011/0267321 A1 * 11/2011 Hayakawa 345/204

* cited by examiner

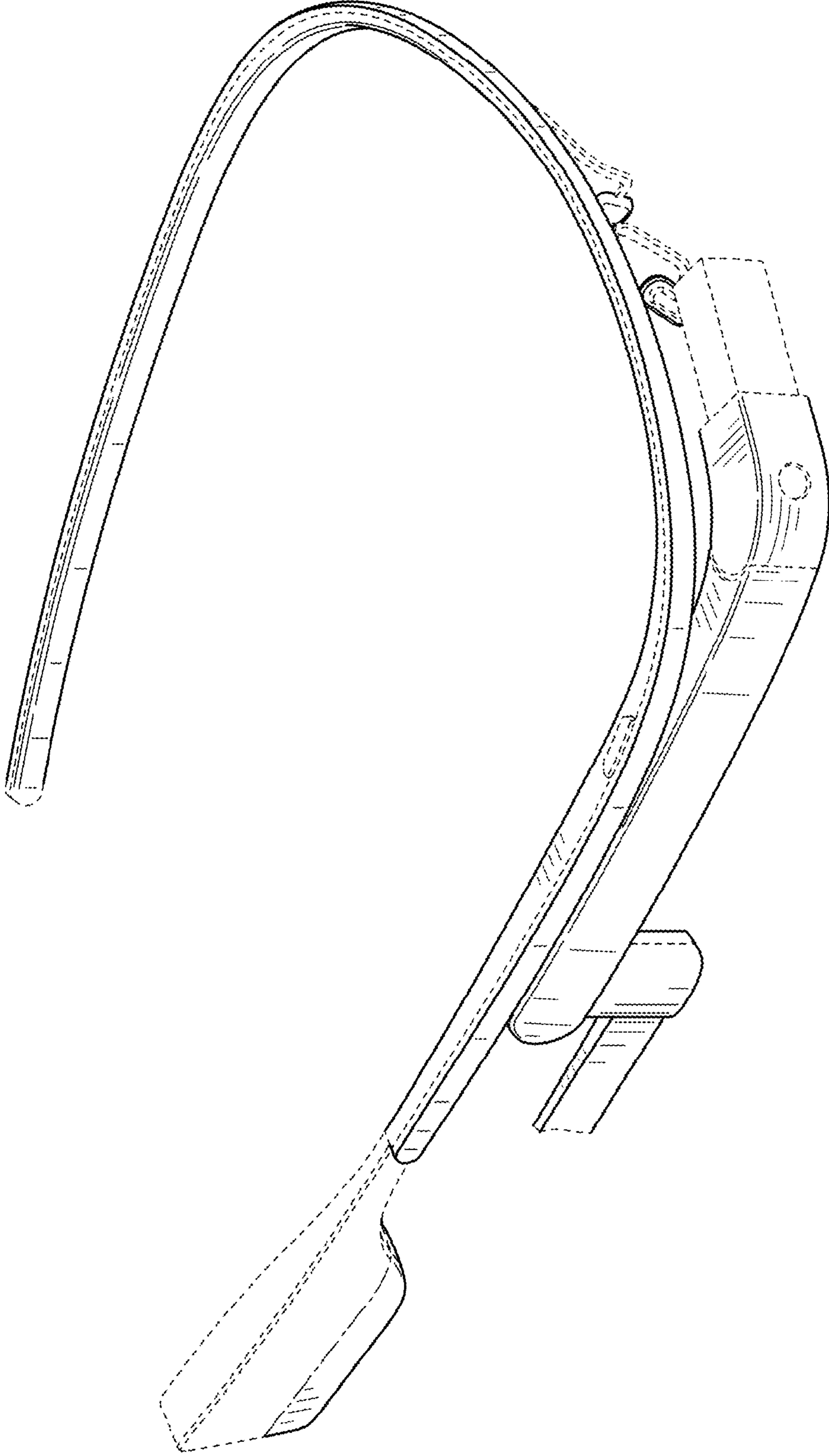


FIG. 1

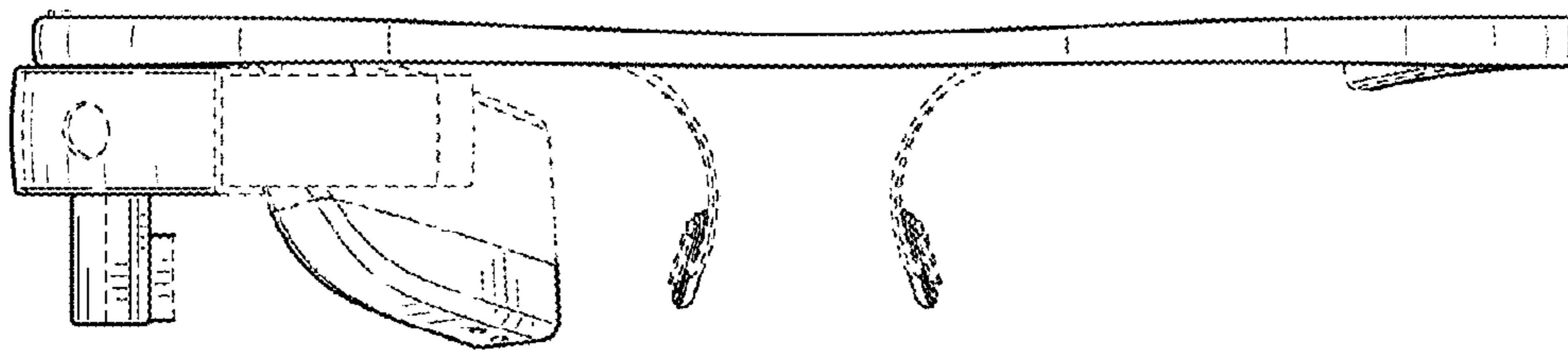


FIG. 2

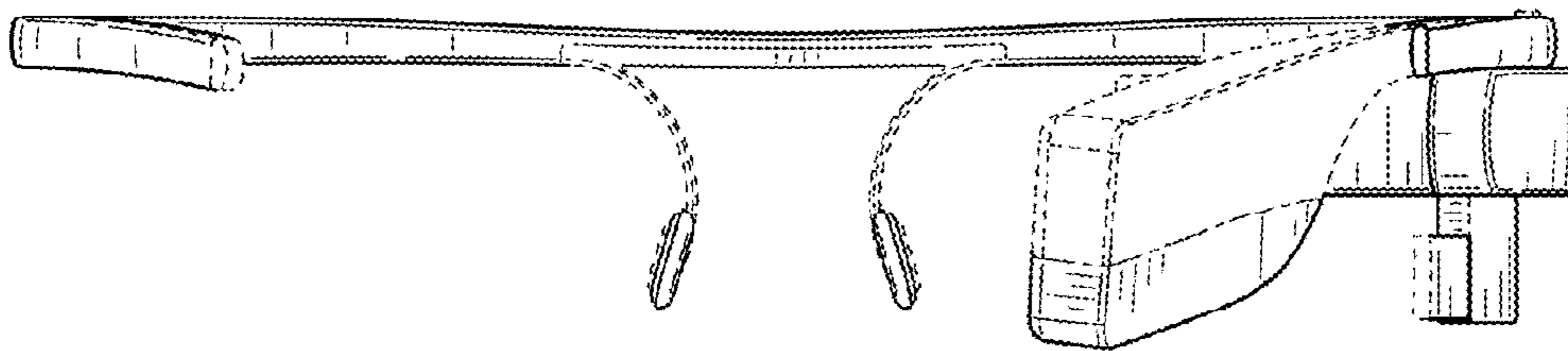


FIG. 3

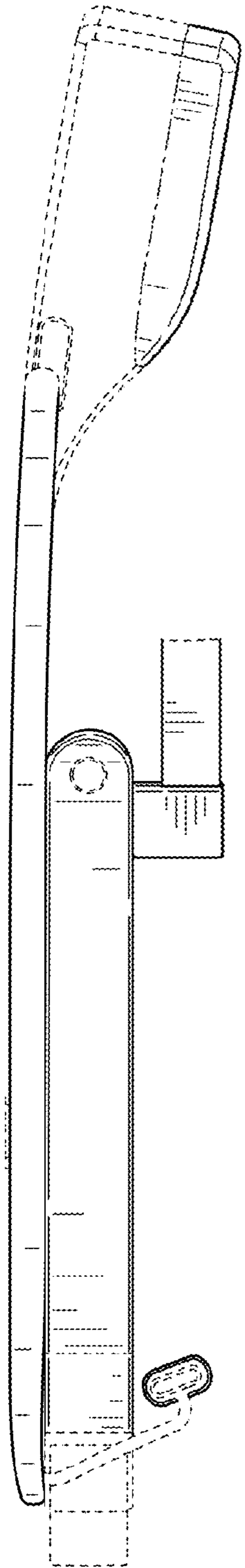


FIG. 4

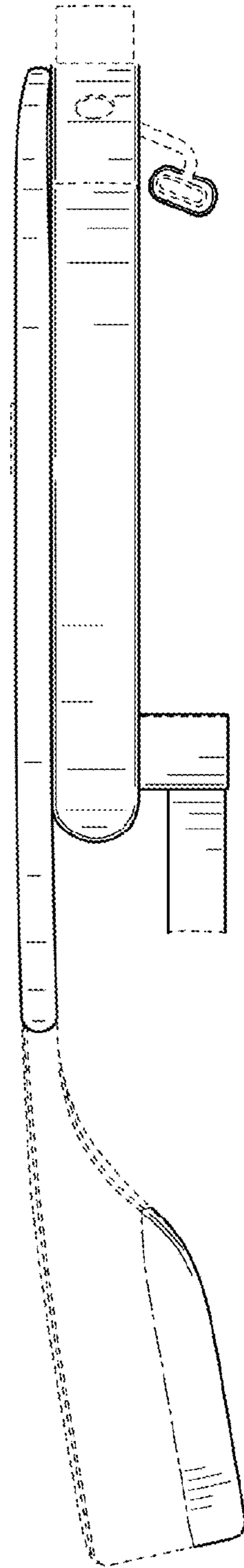


FIG. 5

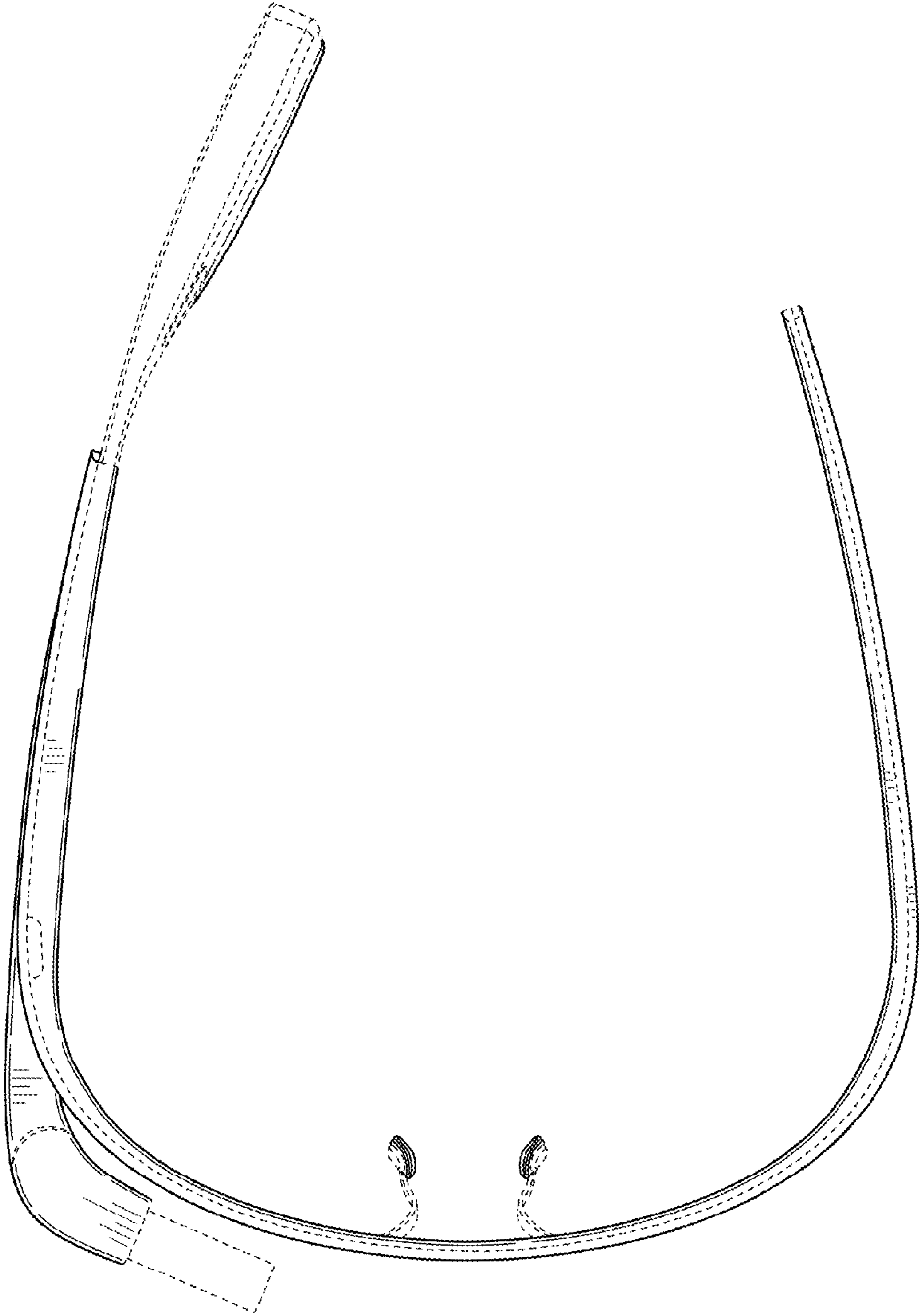


FIG. 6

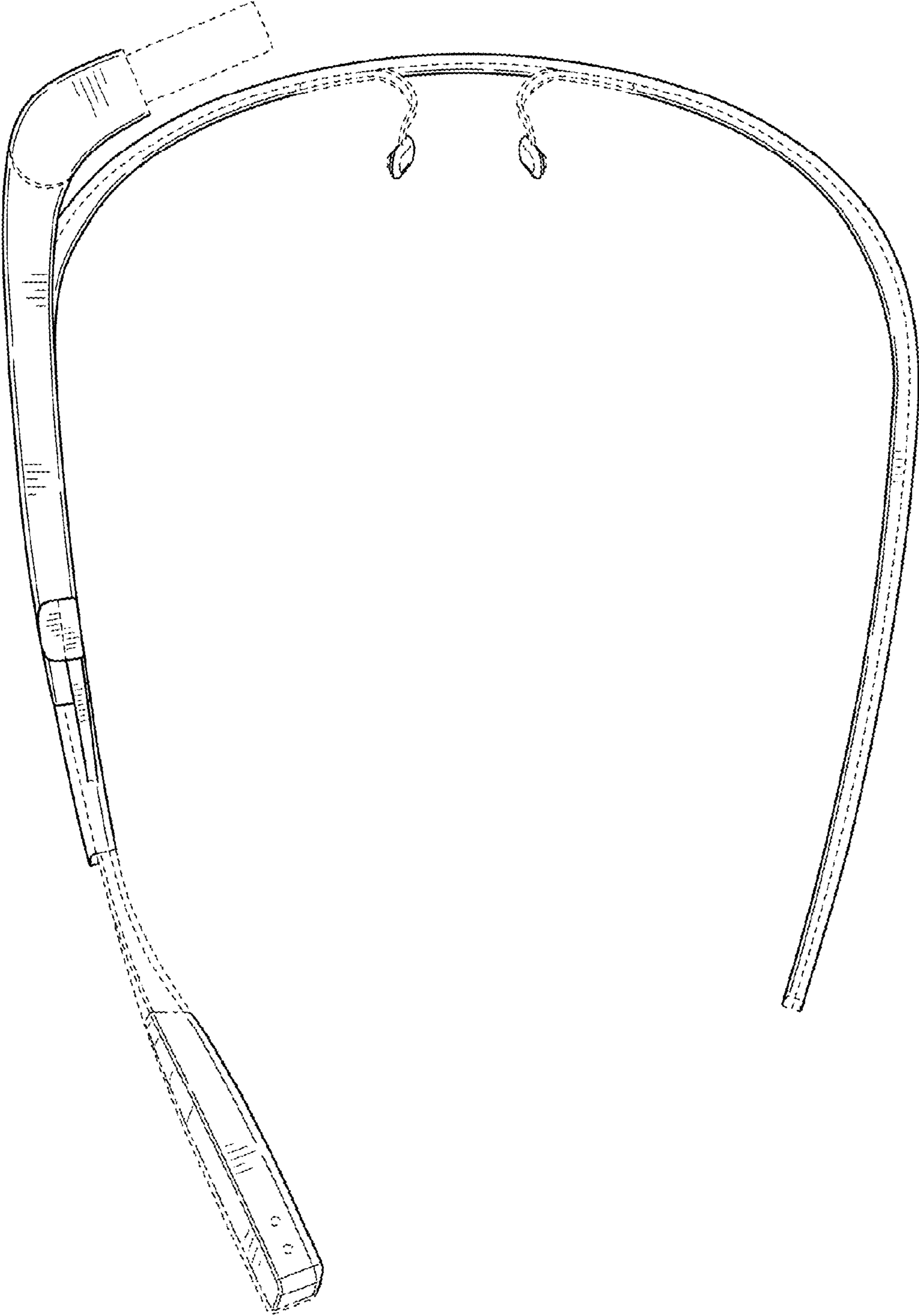


FIG. 7