



US00D728562S

(12) **United States Design Patent**
Park et al.

(10) **Patent No.:** **US D728,562 S**

(45) **Date of Patent:** **** May 5, 2015**

(54) **MOBILE PHONE**

(71) Applicant: **LG Electronics Inc.**, Seoul (KR)

(72) Inventors: **Sangmin Park**, Seoul (KR); **Seunghoon Ryu**, Goyang-si (KR); **Jonghak Lee**, Cheonan-si (KR); **Euseok Lee**, Seoul (KR)

(73) Assignee: **LG Electronics Inc.**, Seoul (KR)

(**) Term: **14 Years**

(21) Appl. No.: **29/481,087**

(22) Filed: **Jan. 31, 2014**

(30) **Foreign Application Priority Data**

Aug. 2, 2013 (KR) 30-2013-0040139

(51) **LOC (10) Cl.** **14-02**

(52) **U.S. Cl.**
USPC **D14/344**; D14/138 R; D10/32

(58) **Field of Classification Search**
CPC H04B 1/03; H04B 1/385; G04G 17/083
USPC D14/140, 137, 138 R, 138 AB, 139, 155,
D14/191, 192, 203.1, 203.3, 203.4, 203.5,
D14/203.7, 248, 226, 218, 144, 240, 344,
D14/440, 341, 346, 448, 450, 496;
D10/30-39, 70, 65, 78, 104.1, 104.2,
D10/125; D11/3-5, 12, 19, 25; D13/168;
D8/354, 366, 402, 499; D3/215;
D15/199; 381/364, 151; 379/433.1;
455/575.1, 556.1, 556.2, 558, 575.3,
455/575.4, 575.6, 90.3; 368/10, 13, 69,
368/223; D21/329; D24/167
See application file for complete search history.

(56) **References Cited**

U.S. PATENT DOCUMENTS

2,046,079 A * 6/1936 MacIntosh 63/9
3,789,601 A * 2/1974 Bergey 368/69

D289,018 S *	3/1987	Williams	D10/31
D361,042 S *	8/1995	Nanayakkara	D10/31
D456,284 S *	4/2002	Wilson	D10/32
D456,724 S *	5/2002	Wilson	D10/32
D463,987 S *	10/2002	Wilson	D10/32
D464,576 S *	10/2002	Nussbaum	D10/32
D474,981 S *	5/2003	Wilson	D10/32
D474,982 S *	5/2003	Wilson	D10/32
D474,984 S *	5/2003	Wilson	D10/37
6,857,775 B1 *	2/2005	Wilson	368/281
D545,220 S *	6/2007	Leung	D10/31

(Continued)

OTHER PUBLICATIONS

Wrist type mobile devices 004 (1/8-Designs-© Questel). orbit.com [online] 60 pages. Uploaded range from 1998-2014 [retrieved on Sep. 14, 2014]. Retrieved from Internet: <http://www6.orbit.com/index.html?ticket=4ef8f373-06fd-4279-b89a-b1b910601740&locale=en#DesignListPage>.*

Primary Examiner — Susan Bennett Hattan

Assistant Examiner — Marie Fast Horse

(74) *Attorney, Agent, or Firm* — Birch, Stewart, Kolasch & Birch, LLP

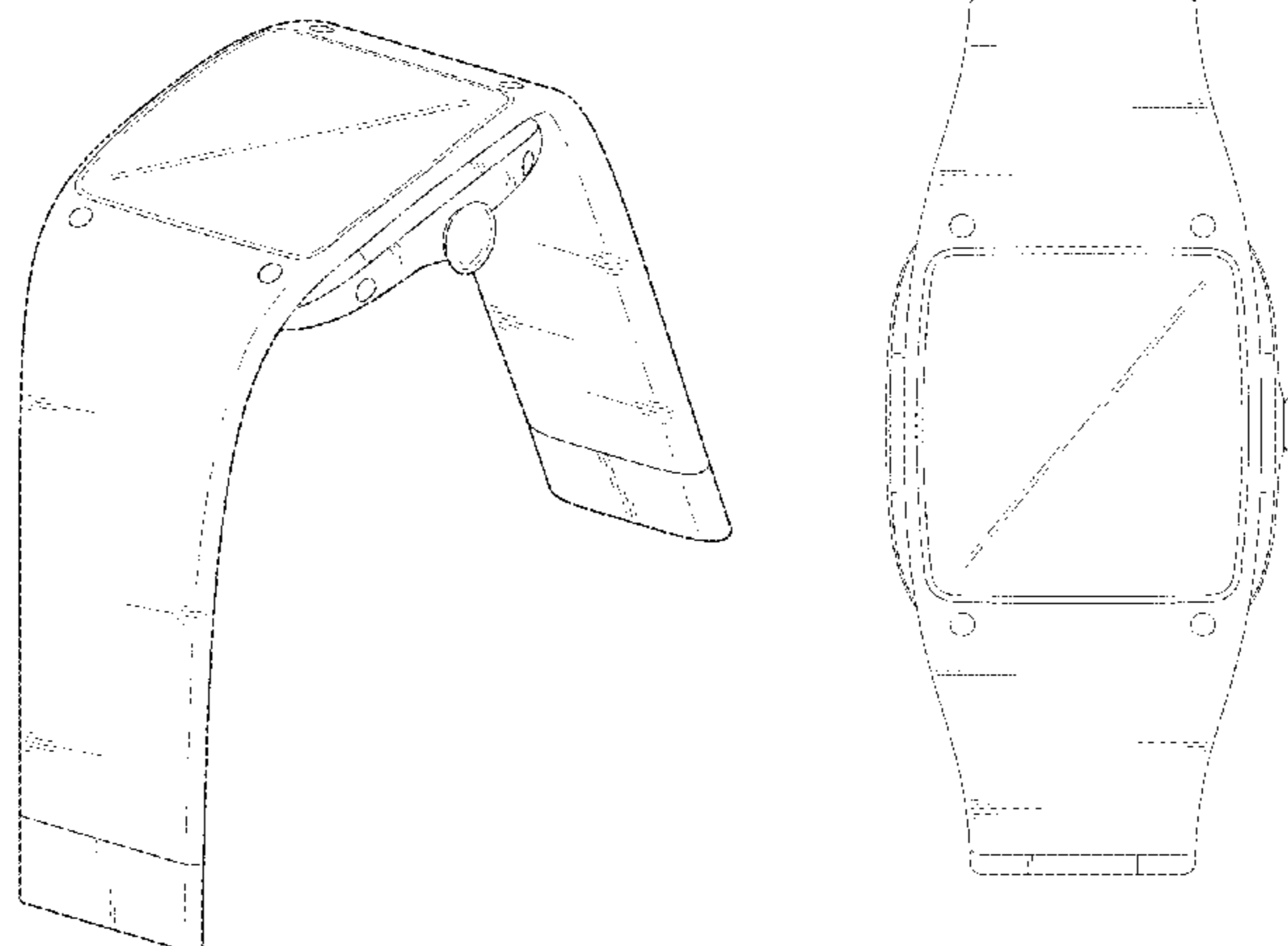
(57) **CLAIM**

The ornamental design for a mobile phone, as shown and described.

DESCRIPTION

FIG. 1 is a perspective view of a mobile phone showing our new design;
FIG. 2 is a front view thereof;
FIG. 3 is a rear view thereof;
FIG. 4 is a left side view thereof;
FIG. 5 is a right side view thereof; and,
FIG. 6 is a top plan view thereof where the bottom plan view is a mirror image.
The broken lines in FIG. 3 depict parts of the mobile phone that form no part of the claimed design.

1 Claim, 6 Drawing Sheets



(56)

References Cited

U.S. PATENT DOCUMENTS

D548,113 S *	8/2007	Burton	D10/32	D667,126 S *	9/2012	Cho et al.	D24/186
D550,101 S *	9/2007	Umebayashi et al.	D10/32	D709,476 S *	7/2014	Park et al.	D14/138 R
D553,512 S *	10/2007	Tang	D10/32	D711,761 S *	8/2014	Savoy	D11/3
D589,375 S *	3/2009	Tang	D10/32	2005/0013197 A1 *	1/2005	Chung et al.	368/10
D598,301 S *	8/2009	Moritz	D10/32	2009/0059734 A1 *	3/2009	Burton	368/281
D637,094 S *	5/2011	Cobbett et al.	D10/32	2009/0201767 A1 *	8/2009	Caldwell	368/10
D645,360 S *	9/2011	Kiser et al.	D10/32	2012/0086574 A1 *	4/2012	Blumel et al.	340/573.3
D660,185 S *	5/2012	Schrepfer	D10/32	2012/0099406 A1 *	4/2012	Lau et al.	368/69
8,208,670 B2 *	6/2012	Wright	381/334	2012/0212922 A1 *	8/2012	Schneider	361/807
D664,049 S *	7/2012	Jorst et al.	D10/39	2012/0319846 A1 *	12/2012	Rogers	340/573.1
					2014/0169142 A1 *	6/2014	Heck et al.	368/205
					2014/0221854 A1 *	8/2014	Wai	600/508
					2014/0226448 A1 *	8/2014	Carlson et al.	368/241

* cited by examiner

FIG. 1

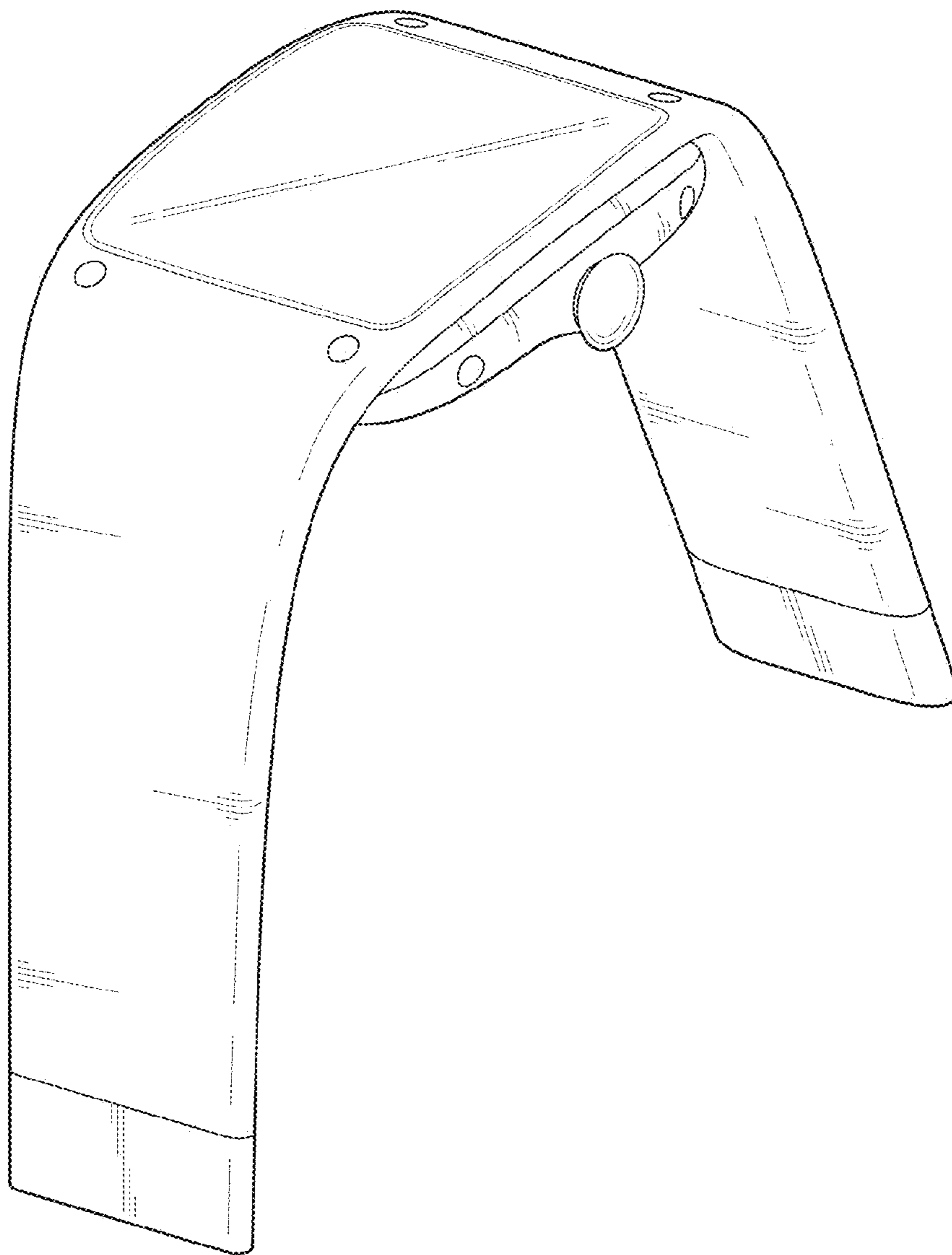


FIG. 2

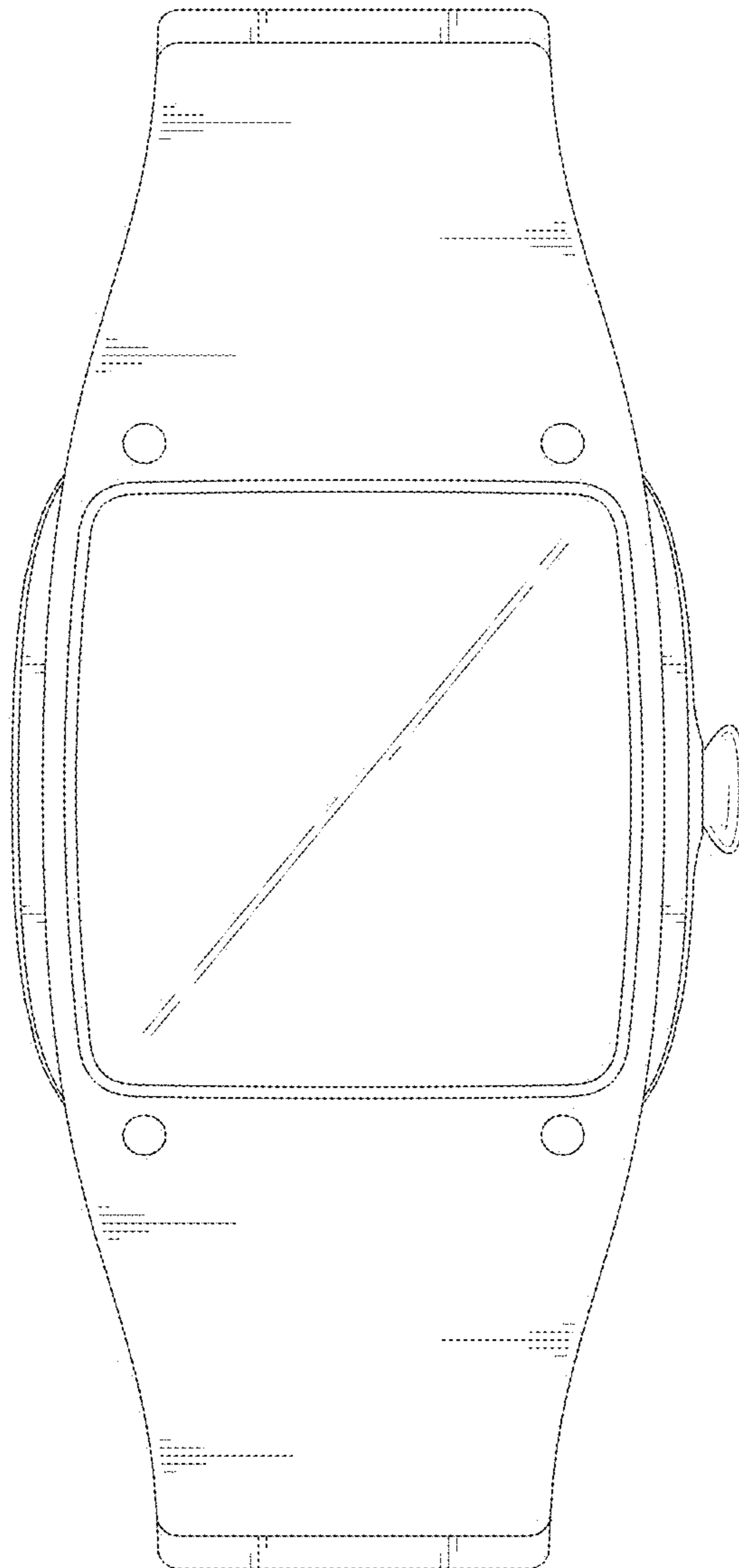


FIG. 3

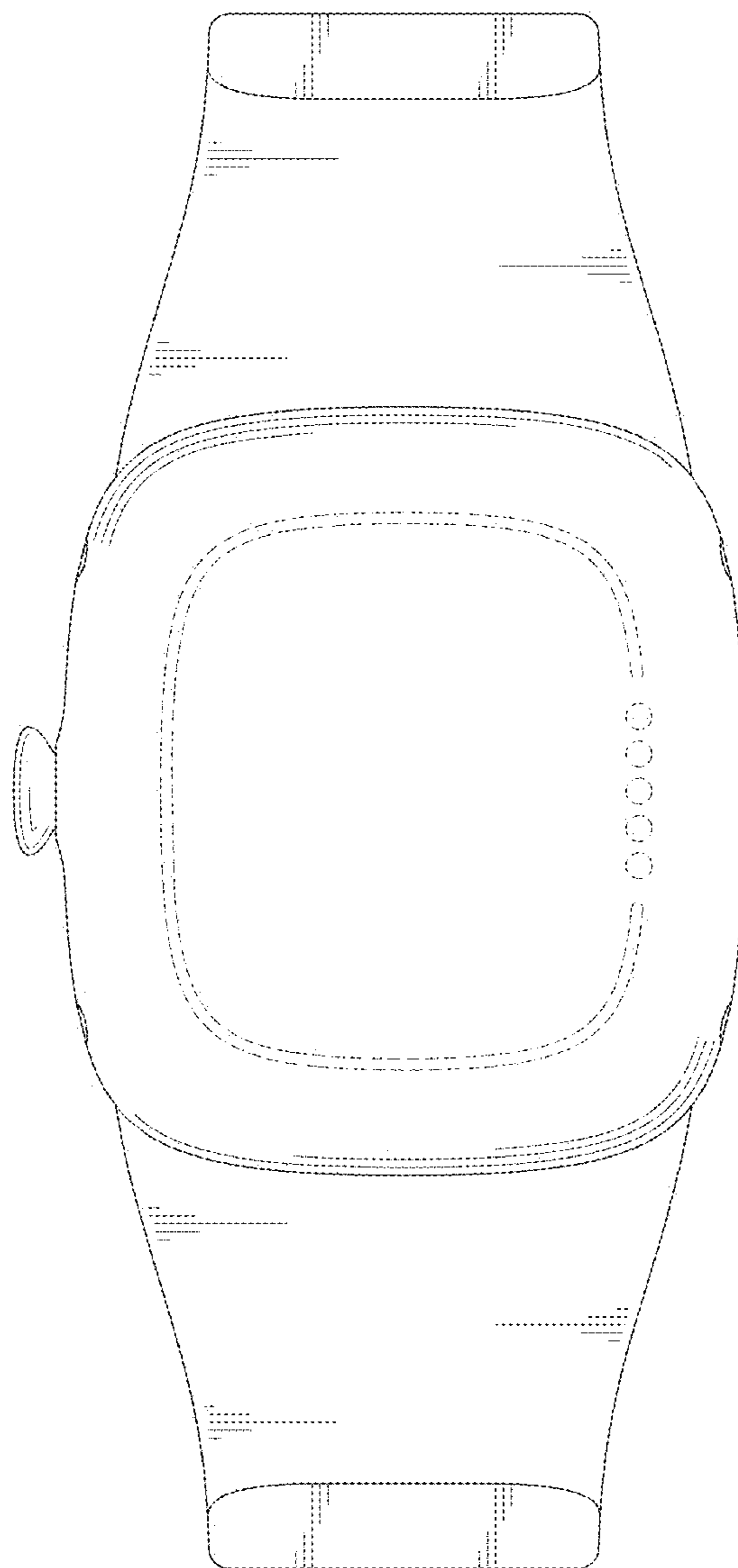


FIG. 4

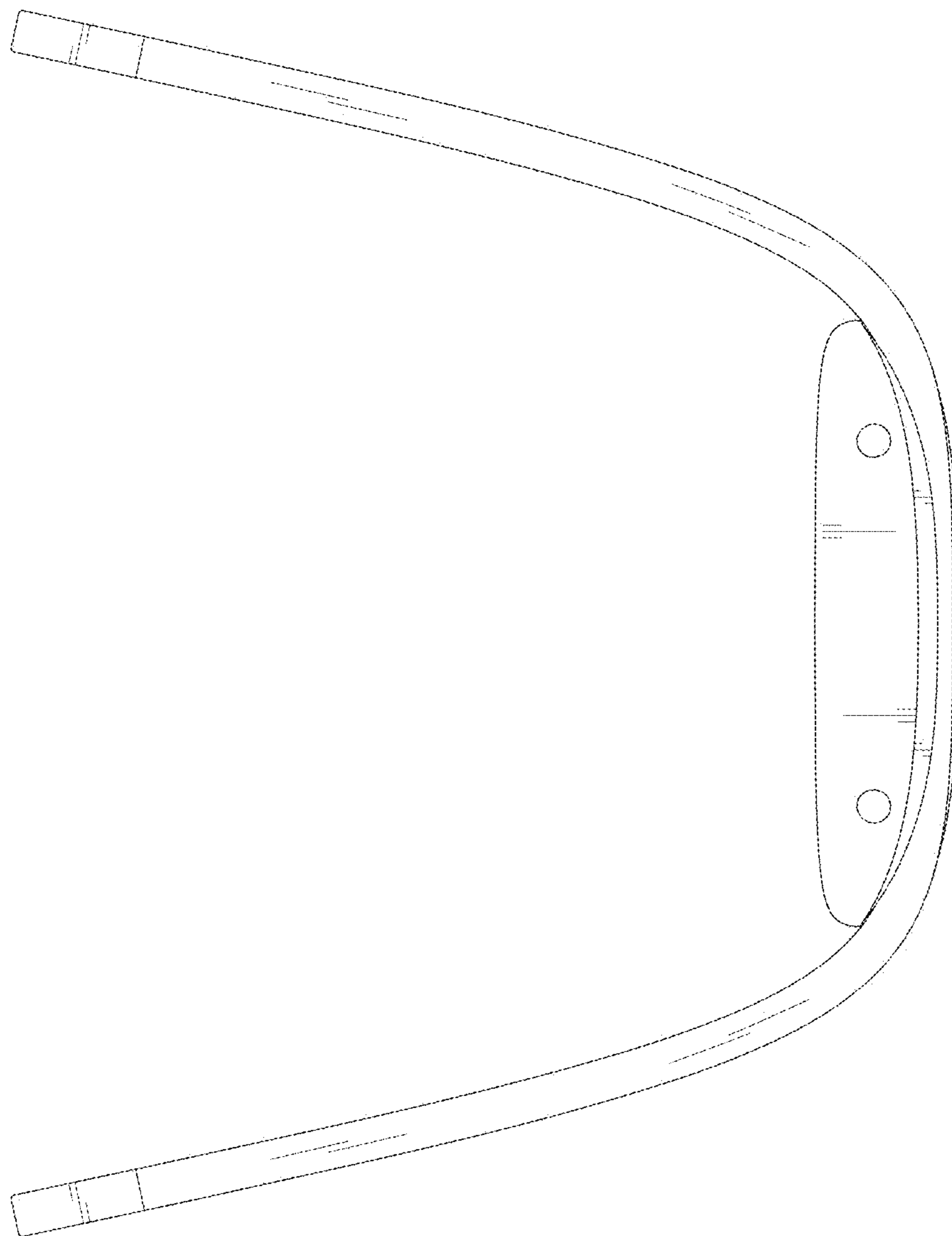


FIG. 5

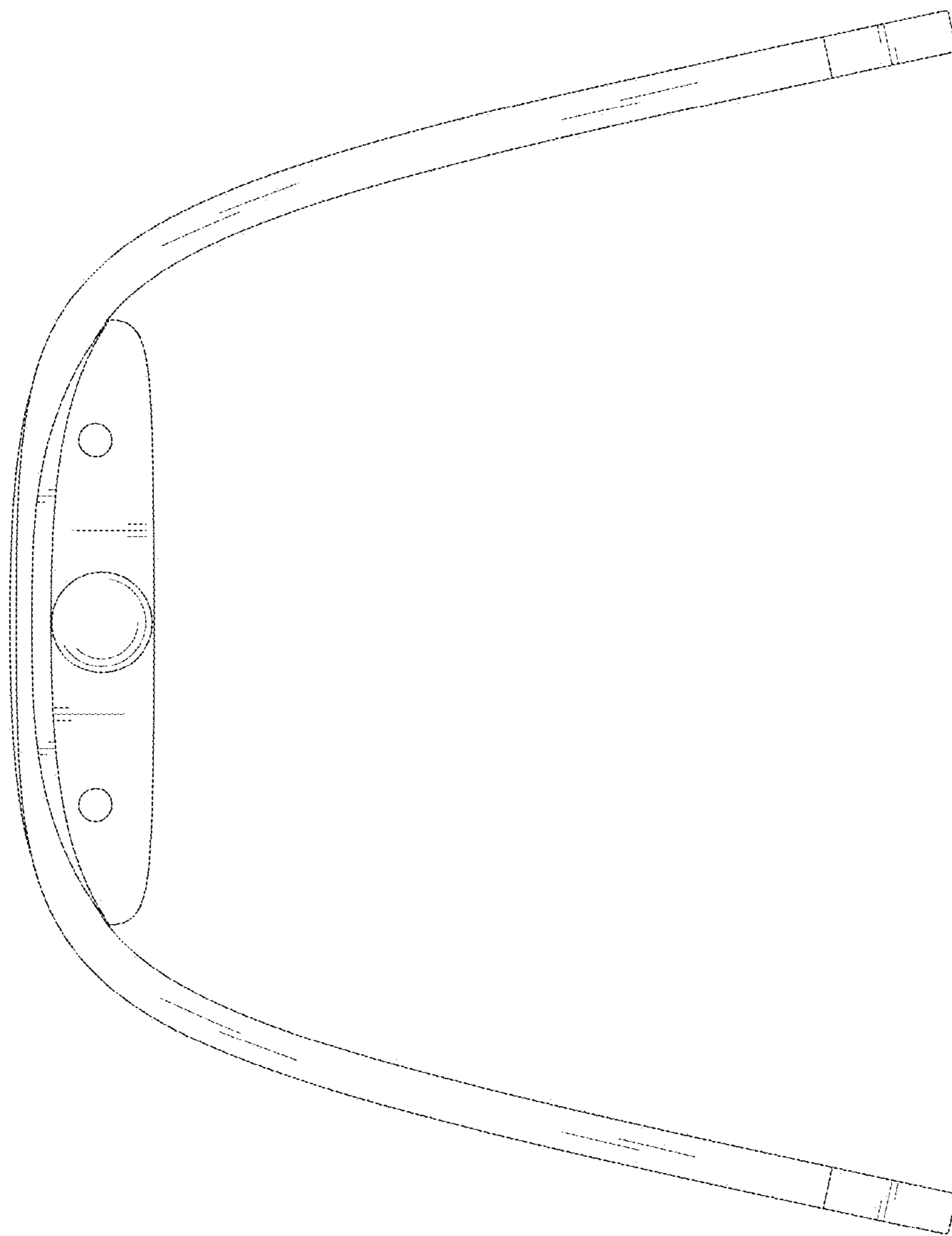


FIG. 6

