



US00D728561S

(12) **United States Design Patent**
Park et al.

(10) **Patent No.:** **US D728,561 S**

(45) **Date of Patent:** **** May 5, 2015**

(54) **TABLET COMPUTER**

(71) Applicant: **Samsung Electronics Co., Ltd.**,
Suwon-si (KR)

(72) Inventors: **Ji-Sang Park**, Yongin-Si (KR);
Chang-Ho Lee, Seoul (KR); **Yeo-Wan Yun**,
Sungnam-Si (KR)

(73) Assignee: **Samsung Electronics Co., Ltd.**,
Suwon-si (KR)

(**) Term: **14 Years**

(21) Appl. No.: **29/453,619**

(22) Filed: **May 1, 2013**

(30) **Foreign Application Priority Data**

Nov. 2, 2012 (KR) 30-2012-0052469
(51) **LOC (10) Cl.** **14-02**

(52) **U.S. Cl.**
USPC **D14/341**

(58) **Field of Classification Search**
CPC A63H 33/3016; G06F 1/1613; H04M
1/0202; H04M 1/0279; H04M 1/0281; H04M
1/0283

USPC D14/341-347, 137, 138 R, 138 AA,
D14/138 C, 138 G, 496, 203.1, 203.3, 203.4,
D14/203.7, 129, 130, 147, 218, 247, 248,
D14/250, 374, 385, 388, 389, 315-318, 420,
D14/426, 439; D10/65, 104.1; D21/324,
D21/329, 330, 332; 455/556.1, 556.2, 566,
455/575.1, 90.3; 379/433.04, 433.01,
379/433.06, 916; 345/173, 901, 905;
361/679.26, 679.27, 679.3, 679.55,
361/679.56; D6/308, 310; 463/37;
248/917-924; 348/376; D19/26, 59-60

See application file for complete search history.

(56) **References Cited**

U.S. PATENT DOCUMENTS

D645,833 S * 9/2011 Seflic et al. D14/138 G

D669,469 S * 10/2012 Kang D14/341
D672,344 S * 12/2012 Li D14/341
D677,659 S * 3/2013 Akana et al. D14/341

(Continued)

Primary Examiner — Barbara Fox

Assistant Examiner — Dana K Weiland

(74) *Attorney, Agent, or Firm* — NSIP Law

(57) **CLAIM**

The ornamental design for a tablet computer, as shown and described.

DESCRIPTION

FIG. 1 is a front perspective view of a tablet computer, showing our new design;

FIG. 2 is a front view thereof;

FIG. 3 is a rear view thereof;

FIG. 4 is a left-side view thereof;

FIG. 5 is a right-side view thereof;

FIG. 6 is a top plan view thereof;

FIG. 7 is a bottom plan view thereof;

FIG. 8 is a front perspective view of a tablet computer of FIG. 1, in which a keyboard in broken lines is provided to illustrate an example environment;

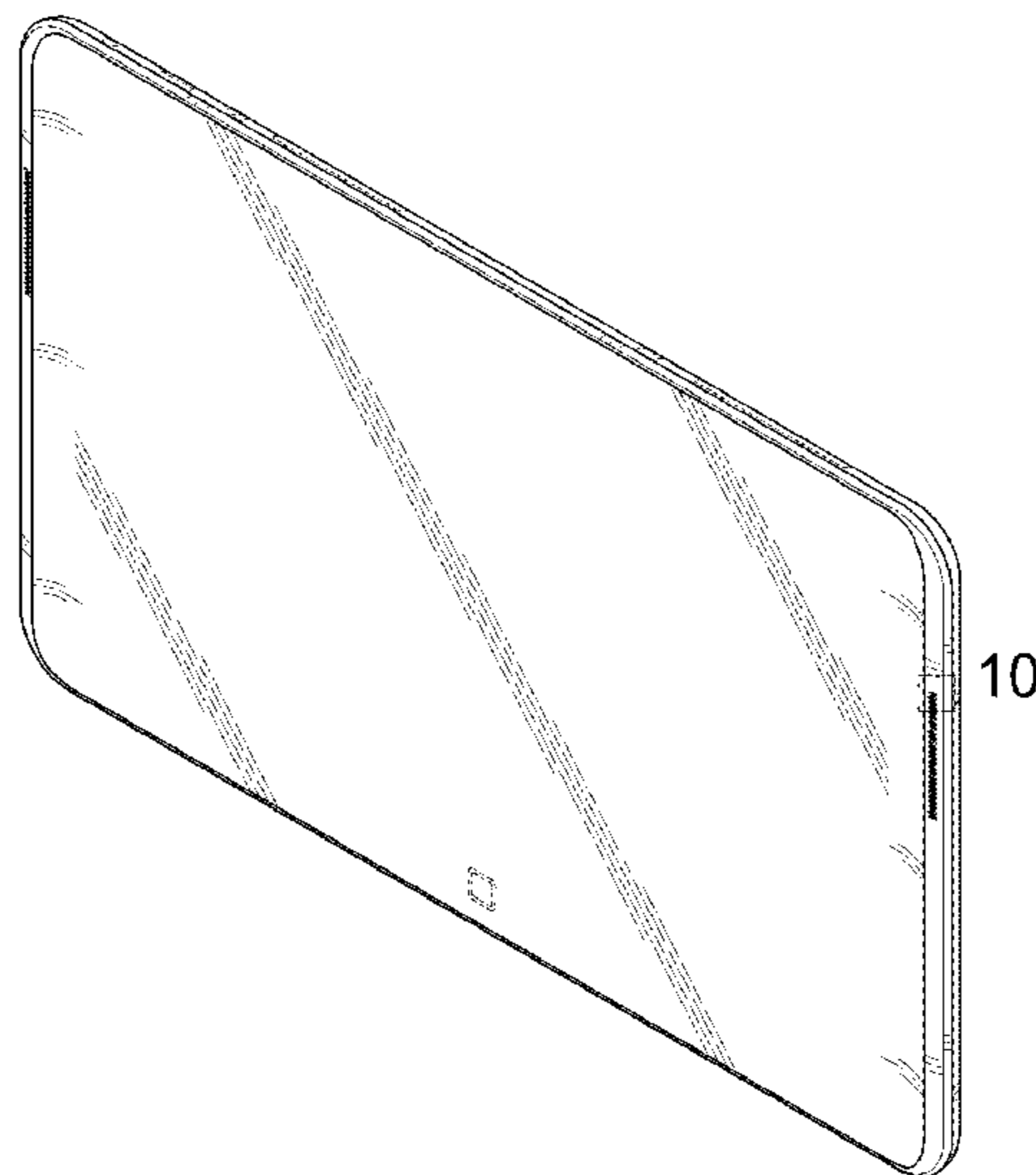
FIG. 9 is a rear perspective view of a tablet computer of FIG. 1, in which a keyboard in broken lines is provided to illustrate an example environment and the tablet computer is in a closed position with respect to the unclaimed keyboard; and,

FIG. 10 is a partially enlarged view taken along line 10 in FIG. 1.

Speaker holes shown in a left portion and a right portion of the tablet computer in FIGS. 1, 2 and 8 are unclaimed features as illustrated by FIG. 10, showing the partially enlarged features in broken lines.

The broken lines shown in the drawings represent portions of the tablet computer that form no part of the claimed design. The shade lines in the figures show contour and not surface ornamentation.

1 Claim, 8 Drawing Sheets



(56)

References Cited

U.S. PATENT DOCUMENTS

D689,481 S *	9/2013	Song et al.	D14/341	D698,785 S *	2/2014	Canizares et al.	D14/341
D692,880 S *	11/2013	Song et al.	D14/341	D700,179 S *	2/2014	Hong	D14/341
D695,249 S *	12/2013	Kim et al.	D14/138 G	D700,605 S *	3/2014	Hong	D14/341
D695,250 S *	12/2013	Kim et al.	D14/138 G	D701,202 S *	3/2014	Choi	D14/341
D696,249 S *	12/2013	Lee	D14/341	D702,230 S *	4/2014	Toh et al.	D14/341
D696,250 S *	12/2013	Wang et al.	D14/341	D710,349 S *	8/2014	Han et al.	D14/341
D696,662 S *	12/2013	Song et al.	D14/341	D715,794 S *	10/2014	Zhou et al.	D14/341
				D716,292 S *	10/2014	Lai	D14/341
				D716,797 S *	11/2014	Lai	D14/341

* cited by examiner

FIG. 1

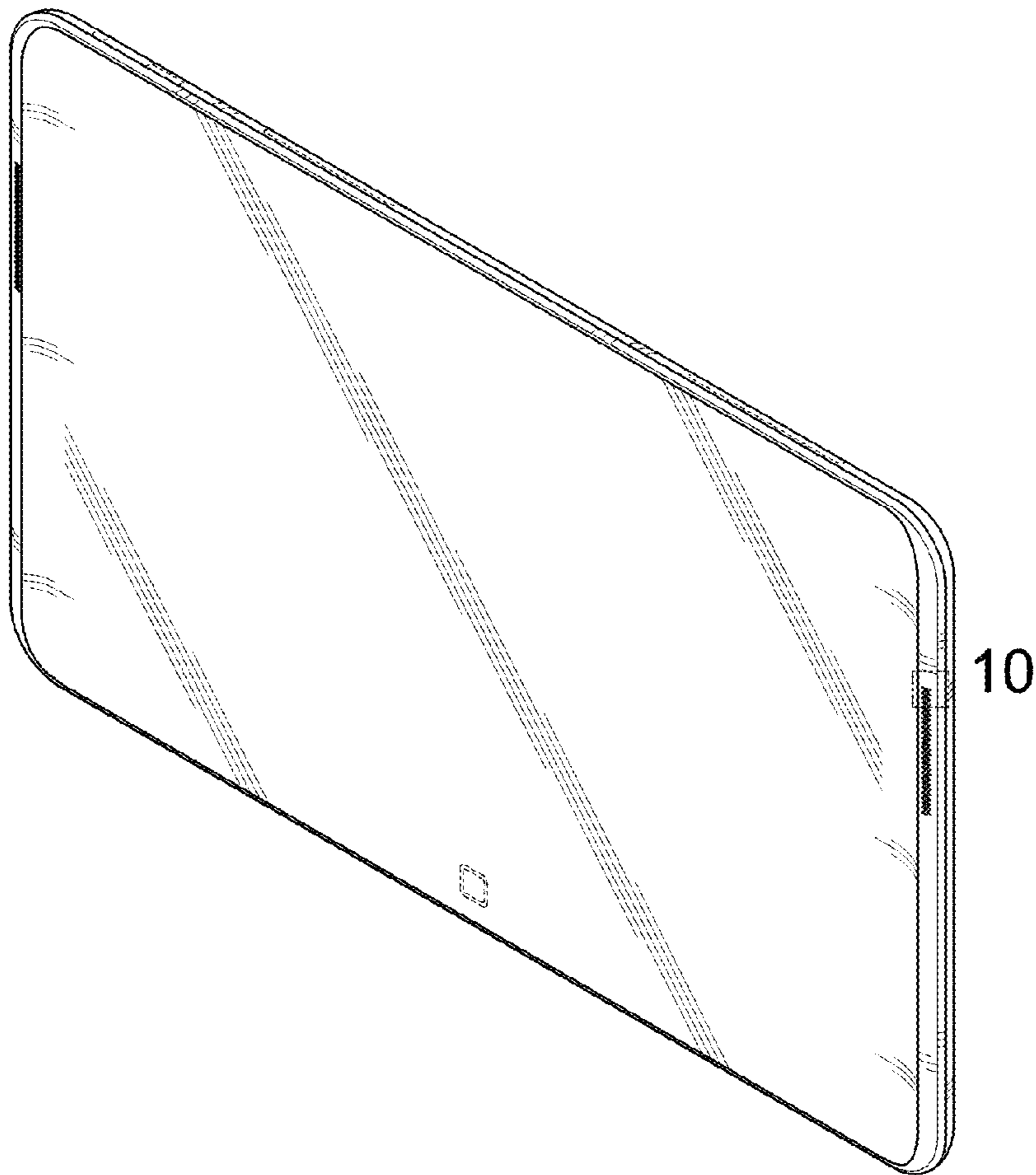


FIG. 2

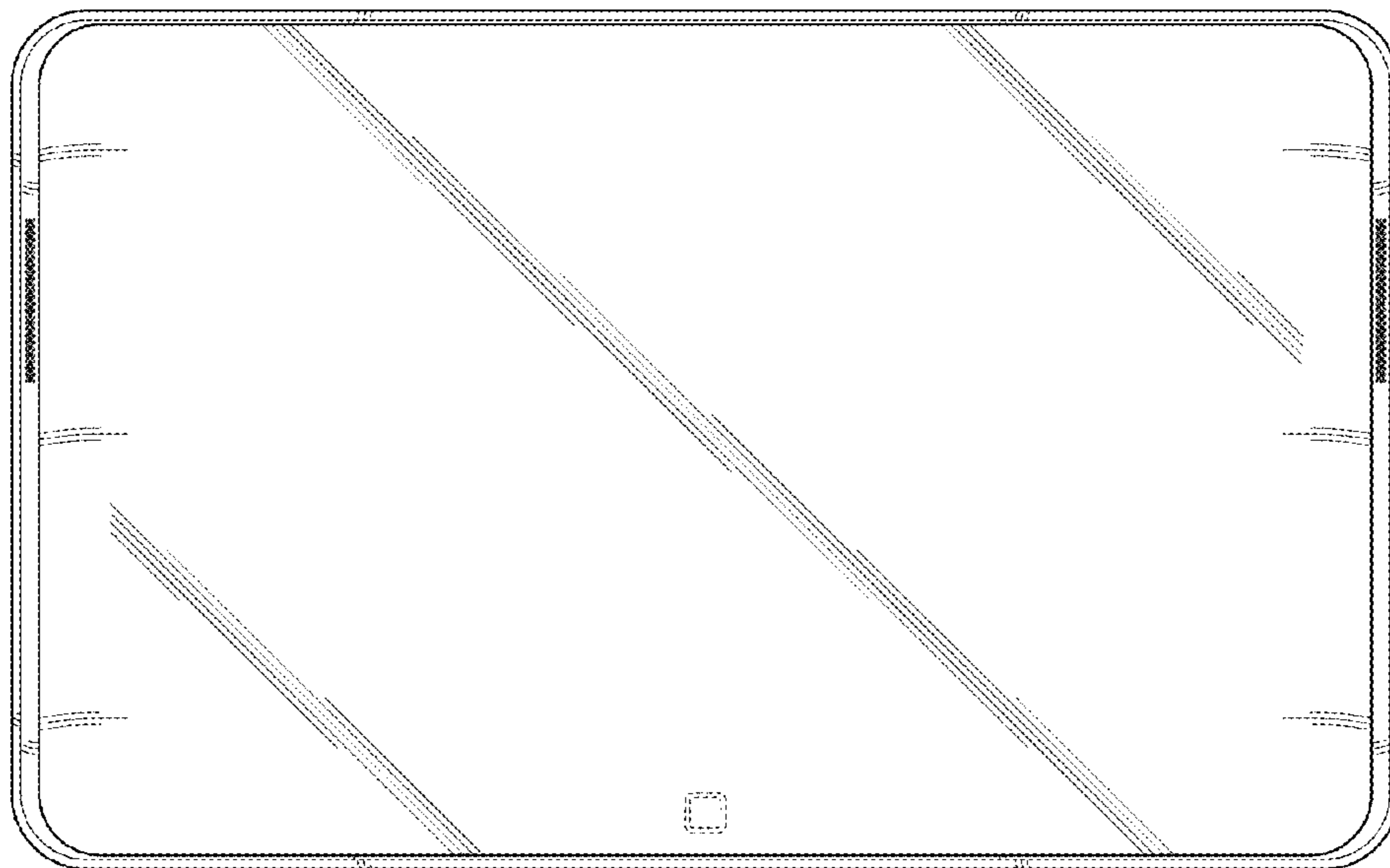


FIG. 3

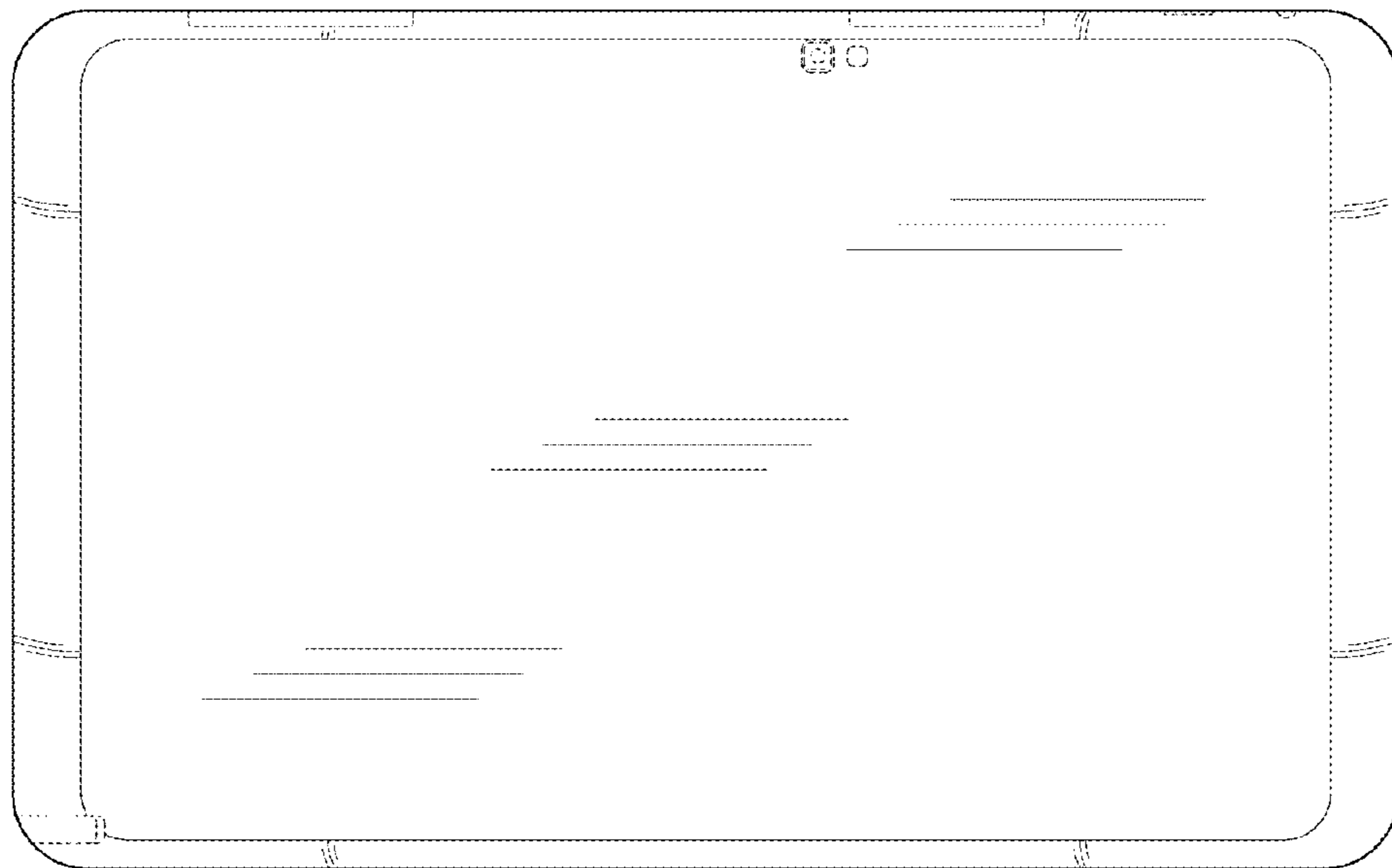


FIG. 4

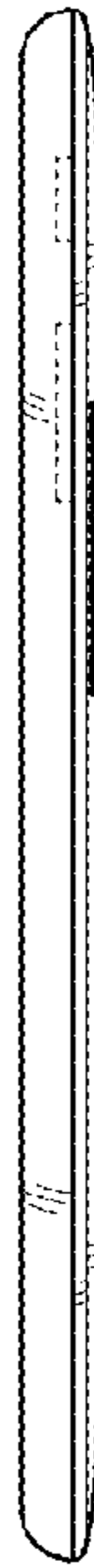


FIG. 5

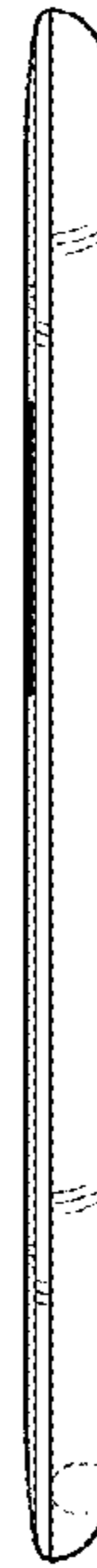


FIG. 6

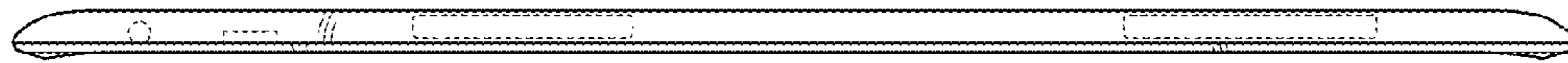


FIG. 7



FIG. 8

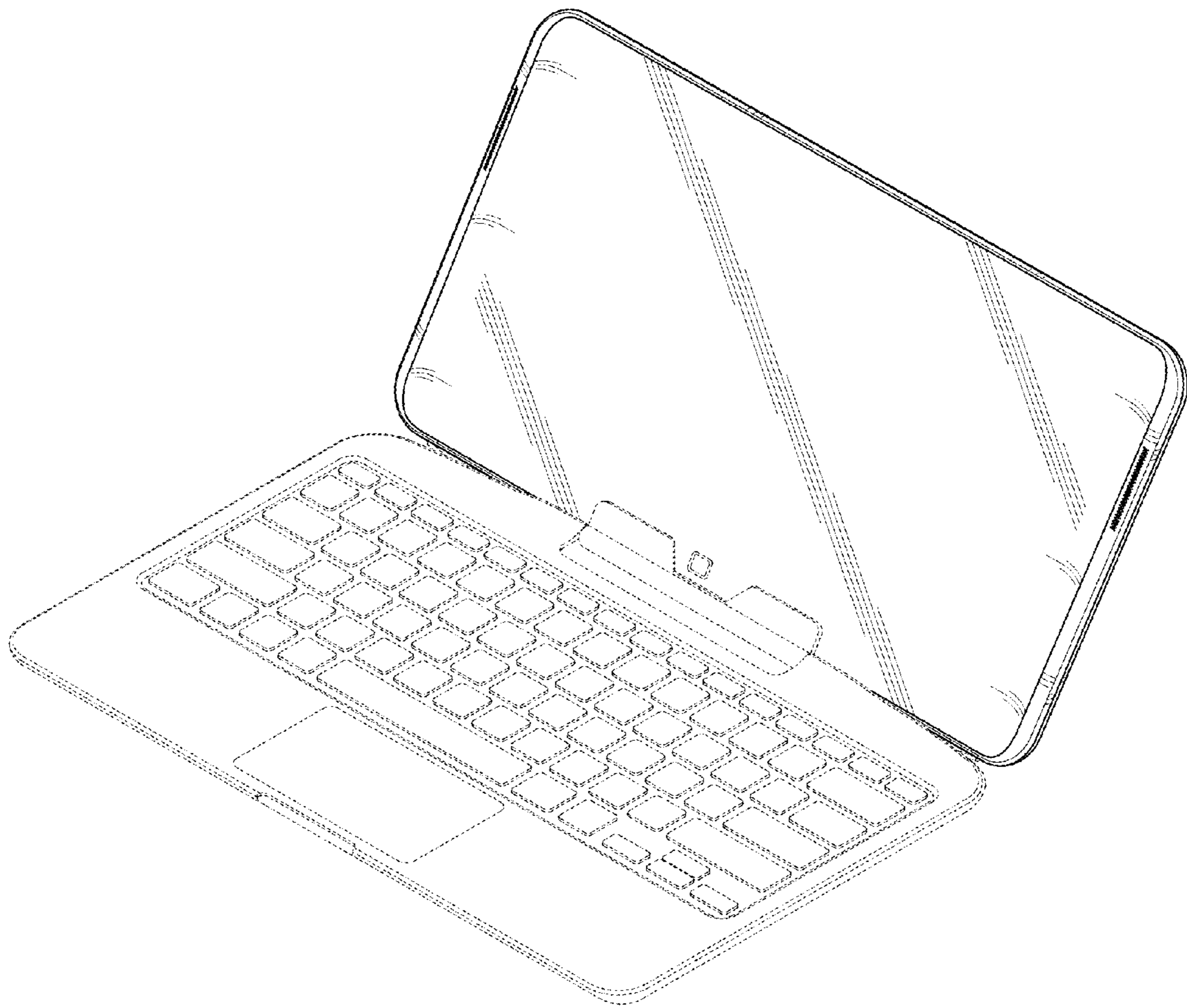


FIG. 9

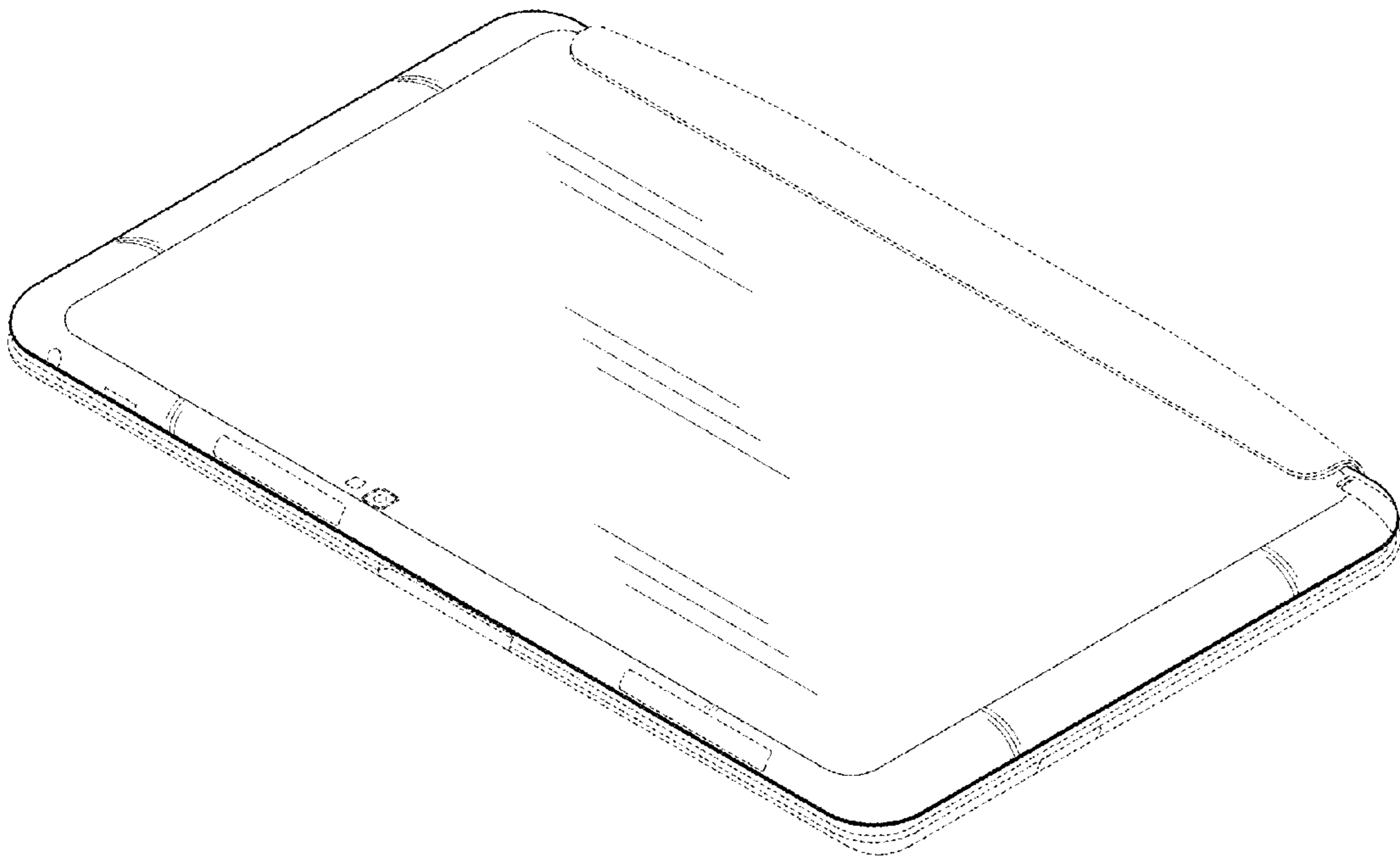


FIG. 10

