



US00D728559S

(12) **United States Design Patent**
Lim et al.

(10) **Patent No.:** **US D728,559 S**
(45) **Date of Patent:** **** May 5, 2015**

(54) **SLATE COMPUTER**

D284,084 S 6/1986 Ferrara, Jr.

(Continued)

(71) Applicant: **Samsung Electronics Co., Ltd.**,
Suwon-Si, Gyeonggi-do (KR)

FOREIGN PATENT DOCUMENTS

(72) Inventors: **Woo-Teik Lim**, Seoul (KR); **Yeo-Wan Yun**, Seongnam (KR)

KR 3005506890000 1/2010
KR 3005544080000 2/2010

(Continued)

(73) Assignee: **Samsung Electronics Co., Ltd.**,
Suwon-Si (KR)

OTHER PUBLICATIONS

(**) Term: **14 Years**

Design U.S. Appl. No. 29/457,870 Inventor: Son-Young Lee, et al.,
filed Jun. 13, 2013 entitled Body of Portable Computer.

(21) Appl. No.: **29/452,593**

(Continued)

(22) Filed: **Apr. 18, 2013**

(30) **Foreign Application Priority Data**

Nov. 16, 2012 (KR) 30-2012-0054765

(51) **LOC (10) Cl.** **14-02**

(52) **U.S. Cl.**
USPC **D14/341**

(58) **Field of Classification Search**
CPC A63H 33/3016; G06F 1/1613; H04M
1/0202; H04M 1/0279; H04M 1/0281; H04M
1/0283

USPC D14/341-347, 137, 138 R, 138 AA,
D14/138 C, 138 G, 496, 203.1, 203.3, 203.4,
D14/203.7, 129, 130, 147, 218, 247, 248,
D14/250, 374, 385, 388, 389, 315-318, 420,
D14/426, 439; D10/65, 104.1; D21/324,
D21/329, 330, 332; 455/556.1, 556.2, 566,
455/575.1, 90.3; 379/433.04, 433.01,
379/433.06, 916; 345/173, 901, 905;
361/679.26, 679.27, 679.3, 679.55,
361/679.56; D6/308, 310; D19/26, 59-60;
D11/222; 463/37; 248/917-924;
348/376

See application file for complete search history.

(56) **References Cited**

U.S. PATENT DOCUMENTS

D270,061 S 8/1983 Ackeret

Primary Examiner — Barbara Fox

Assistant Examiner — Dana K Weiland

(74) *Attorney, Agent, or Firm* — Wood, Herron & Evans,
LLP

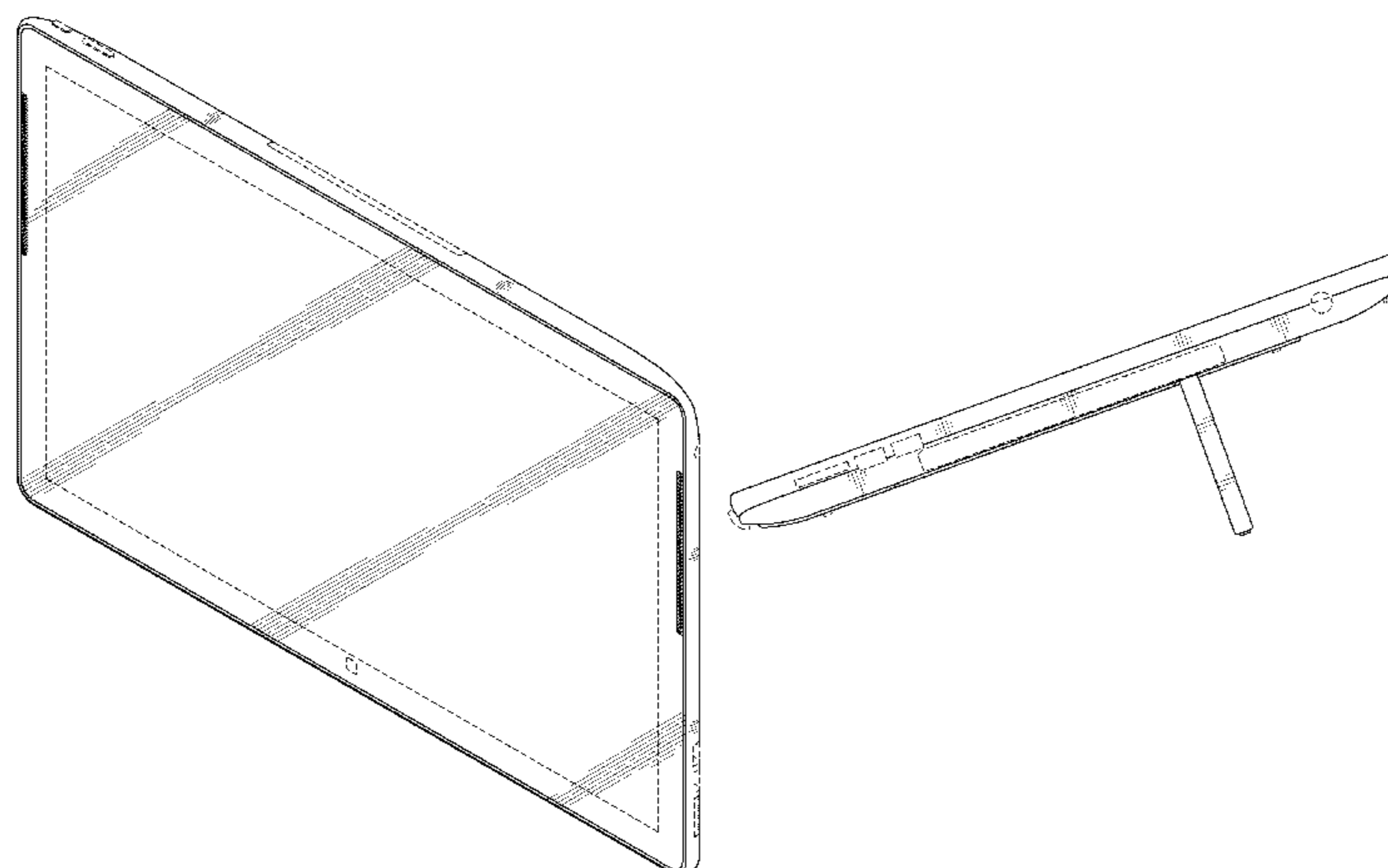
(57) **CLAIM**

The ornamental design for a slate computer, as shown and
described.

DESCRIPTION

FIG. 1 is a top front perspective view of a slate computer
showing our new design;
FIG. 2 is a front elevational view thereof;
FIG. 3 is a rear elevational view thereof;
FIG. 4 is a left side elevational view thereof;
FIG. 5 is a right side elevational view thereof;
FIG. 6 is a top plan view thereof;
FIG. 7 is a bottom plan view thereof;
FIG. 8 is a right side view thereof showing that the present
slate computer reclines on its upper stand unfolded at a
desired angle;
FIG. 9 is a right side view thereof showing that the present
slate computer leans against its lower stand unfolded; and,
FIG. 10 is an expanded view of the speaker part on the front
of the present slate computer.
The broken lines depict portions of the slate computer that
form no part of the claimed design.

1 Claim, 6 Drawing Sheets



(56)

References Cited

U.S. PATENT DOCUMENTS

D306,583 S	3/1990	Krolopp et al.	D639,804 S	6/2011	Hwang et al.
D333,574 S	3/1993	Ackeret	D639,805 S	6/2011	Song et al.
D337,569 S	7/1993	Kando	D639,806 S	6/2011	Lee et al.
5,267,123 A	11/1993	Boothroyd et al.	D640,220 S	6/2011	Shyu et al.
5,887,723 A	3/1999	Myles et al.	D640,255 S	6/2011	Lee et al.
D416,238 S	11/1999	Irie et al.	D641,018 S	7/2011	Lee et al.
6,067,224 A	5/2000	Nobuchi	7,986,983 B2	7/2011	Harmon et al.
6,259,597 B1	7/2001	Anzai et al.	D645,465 S	9/2011	Lin et al.
D460,759 S	7/2002	West et al.	D645,833 S	9/2011	Seflic et al.
D463,797 S	10/2002	Andre et al.	D646,258 S *	10/2011	Van Der Flier et al. D14/142
6,519,139 B2	2/2003	Kambayashi	D646,902 S	10/2011	Woo et al.
D490,420 S	5/2004	Solomon et al.	D650,381 S	12/2011	Park et al.
6,775,129 B1	8/2004	Ghosh et al.	D651,206 S	12/2011	Kim et al.
6,781,819 B2	8/2004	Yang et al.	D651,597 S	1/2012	Lee et al.
6,785,128 B1	8/2004	Yun	D651,598 S	1/2012	Kim et al.
D499,704 S	12/2004	Song	D651,599 S	1/2012	Kim et al.
6,829,140 B2	12/2004	Shimano et al.	D651,600 S	1/2012	Lee et al.
D500,991 S	1/2005	Niitsu	D652,415 S	1/2012	Lee et al.
D504,889 S	5/2005	Andre et al.	D652,416 S	1/2012	Park et al.
D517,545 S	3/2006	Buckel et al.	D652,417 S	1/2012	Lee et al.
D532,791 S	11/2006	Kim	D652,831 S	1/2012	Lee et al.
7,167,358 B2 *	1/2007	Iwasaki et al. 361/679.21	D654,073 S	2/2012	Li
D540,790 S	4/2007	Kim et al.	D654,468 S	2/2012	Duan et al.
D558,460 S	1/2008	Yu et al.	D654,498 S	2/2012	Hwang et al.
D563,804 S	3/2008	Kimura et al.	D654,893 S	2/2012	Jung
D564,511 S	3/2008	Akhtar	D657,785 S	4/2012	Lee et al.
D579,930 S	11/2008	Maskatia	D658,173 S	4/2012	Kim
D584,738 S	1/2009	Kim et al.	D659,692 S	5/2012	Jung et al.
D587,710 S	3/2009	Han	D661,294 S	6/2012	Park et al.
D588,126 S	3/2009	Chiang et al.	D661,295 S	6/2012	Park et al.
D589,511 S	3/2009	Han	D661,298 S	6/2012	Park et al.
D589,958 S	4/2009	Han	D661,299 S	6/2012	Kim et al.
D590,374 S	4/2009	Madonna et al.	D661,300 S	6/2012	Kim et al.
D592,212 S	5/2009	Hamada et al.	D661,301 S	6/2012	Kim et al.
D592,214 S	5/2009	Bradford	D661,302 S	6/2012	Fukasawa et al.
7,542,284 B1	6/2009	Wilson, Sr.	D663,281 S *	7/2012	Hwang D14/138 G
D601,138 S	9/2009	Solomon et al.	D663,298 S *	7/2012	Song et al. D14/341
D602,014 S	10/2009	Andre et al.	D664,532 S	7/2012	Lee
D602,487 S	10/2009	Maskatia	D664,533 S	7/2012	Lee et al.
D604,291 S	11/2009	Andre et al.	D664,534 S	7/2012	Lee et al.
D605,626 S	12/2009	Park	D664,535 S	7/2012	Lee et al.
D606,539 S	12/2009	Liao et al.	D664,540 S	7/2012	Kim et al.
D606,961 S	12/2009	Aarras	D664,954 S	8/2012	Kim et al.
D610,582 S	2/2010	Sugitani et al.	D664,955 S	8/2012	Kim et al.
D611,364 S	3/2010	Lenz et al.	D666,198 S	8/2012	Van Den Nieuwenhuizen et al.
D613,510 S	4/2010	Tzeng et al.	D667,396 S	9/2012	Koh
D613,951 S	4/2010	Tang et al.	D667,397 S	9/2012	Koh
D613,961 S	4/2010	Lin	D667,398 S	9/2012	Koh
D615,527 S *	5/2010	Hwang D14/203.8	D667,399 S	9/2012	Koh
D616,440 S	5/2010	Lee	D667,825 S	9/2012	Jung
D616,886 S	6/2010	Andre et al.	D668,650 S	10/2012	Han
D617,793 S	6/2010	Chiang et al.	D668,651 S	10/2012	Kim et al.
D622,270 S	8/2010	Andre et al.	D669,070 S	10/2012	Hsu et al.
D624,914 S	10/2010	Wang	D669,468 S	10/2012	Akana et al.
D625,306 S	10/2010	Miyawaki	D669,469 S	10/2012	Kang
D626,124 S	10/2010	Chyan et al.	D670,286 S	11/2012	Akana et al.
D626,437 S	11/2010	Lee et al.	D670,692 S	11/2012	Akana et al.
D627,667 S	11/2010	Lenz et al.	D671,111 S	11/2012	Kim et al.
D627,779 S *	11/2010	Liao D14/341	D671,514 S	11/2012	Kim et al.
D628,913 S	12/2010	Cheng	D671,536 S	11/2012	Fukasawa et al.
D629,771 S *	12/2010	Haspil et al. D14/138 G	D671,538 S	11/2012	Kim et al.
D629,799 S	12/2010	Andre et al.	D671,539 S	11/2012	Kim et al.
D630,636 S	1/2011	Jeon et al.	D671,940 S *	12/2012	Kim D14/374
D631,455 S	1/2011	Kim et al.	D672,344 S *	12/2012	Li D14/341
D631,469 S	1/2011	Demskie et al.	D672,345 S	12/2012	Li
D633,498 S	3/2011	Andre et al.	D672,768 S	12/2012	Huang et al.
D634,318 S	3/2011	Buckle et al.	D673,561 S	1/2013	Hyun et al.
D634,745 S	3/2011	Park et al.	D673,950 S	1/2013	Li et al.
7,916,889 B2	3/2011	Takakusaki	D674,384 S	1/2013	Zhang
D636,391 S	4/2011	Shen et al.	D675,203 S	1/2013	Yang
D636,769 S *	4/2011	Wood et al. D14/341	D676,538 S	2/2013	Fehring
D636,770 S	4/2011	Li	D677,181 S	3/2013	Lenz et al.
D638,392 S	5/2011	Price et al.	D677,255 S	3/2013	McManigal et al.
D638,412 S	5/2011	Lee	D677,660 S *	3/2013	Groene et al. D14/341
D639,226 S	6/2011	Juergens et al.	D678,271 S	3/2013	Chiu
			D680,533 S	4/2013	Song et al.
			D682,264 S	5/2013	Kim et al.
			D682,821 S	5/2013	Kim et al.
			D682,822 S	5/2013	Kim et al.

(56)

References Cited

U.S. PATENT DOCUMENTS

D682,823	S	5/2013	Park et al.	
D682,824	S	5/2013	Kim et al.	
D682,825	S	5/2013	Kim et al.	
D682,826	S	5/2013	Kim et al.	
D682,827	S	5/2013	Park et al.	
D682,828	S	5/2013	Kim et al.	
D684,968	S	* 6/2013	Smith et al.	D14/341
D684,969	S	* 6/2013	Smith et al.	D14/341
D686,202	S	7/2013	Lee et al.	
D686,203	S	7/2013	Lee et al.	
D687,820	S	* 8/2013	Kim	D14/341
D687,824	S	* 8/2013	Chun et al.	D14/341
D687,825	S	* 8/2013	Lee et al.	D14/341
D687,827	S	* 8/2013	Song et al.	D14/341
D689,481	S	* 9/2013	Song et al.	D14/341
D694,211	S	* 11/2013	Yuu et al.	D14/138 G
D694,212	S	* 11/2013	Yuu et al.	D14/138 G
D697,065	S	* 1/2014	Kim et al.	D14/346
D698,785	S	* 2/2014	Canizares et al.	D14/341
D698,787	S	* 2/2014	Kim	D14/341
D701,202	S	* 3/2014	Choi	D14/341
D702,228	S	* 4/2014	Park	D14/341
D710,349	S	* 8/2014	Han et al.	D14/341
D712,400	S	* 9/2014	Kim et al.	D14/341
D712,402	S	* 9/2014	Park et al.	D14/341
D712,403	S	* 9/2014	Park et al.	D14/341
D716,799	S	* 11/2014	Green et al.	D14/341
D718,303	S	* 11/2014	Choteau et al.	D14/341
2003/0048595	A1	3/2003	Hsieh et al.	
2003/0151888	A1	8/2003	Chien et al.	
2005/0018396	A1	1/2005	Nakajima et al.	
2005/0041378	A1	2/2005	Hamada et al.	
2009/0231292	A1	9/2009	Hsieh et al.	
2011/0074740	A1	3/2011	Liu	
2011/0294555	A1	12/2011	Happonen et al.	
2012/0092195	A1	4/2012	Lin	

FOREIGN PATENT DOCUMENTS

KR	3005639120000	6/2010
KR	3005639130000	6/2010
KR	3005680110000	7/2010
KR	3005804720000	11/2010
KR	3005869900000	1/2011
KR	3005942330000	3/2011
KR	3005958550000	4/2011
KR	3005985190000	5/2011
KR	3005994750000	5/2011
KR	3006004150000	5/2011
KR	3006004300000	5/2011
KR	3006013110001	6/2011
KR	3006013130000	6/2011
KR	3006013160000	6/2011
KR	3006013170000	6/2011
KR	3006046440000	7/2011
KR	3006052790000	7/2011
KR	3006052810000	7/2011
KR	3006052820000	7/2011
KR	3006052830000	7/2011
KR	3006059710000	7/2011
KR	3006063210000	7/2011
KR	3006064090000	7/2011
KR	3006083610000	8/2011
KR	3006083630000	8/2011
KR	3006083640000	8/2011
KR	3006083650000	8/2011
KR	3006083710000	8/2011
KR	3006083730000	8/2011
KR	3006085180000	8/2011

OTHER PUBLICATIONS

Design U.S. Appl. No. 29/457,871 Inventor: Son-Young Lee, et al., filed Jun. 13, 2013 entitled Display for a Portable Computer.

Design U.S. Appl. No. 29/457,873 Inventor: Son-Young Lee, et al., filed Jun. 13, 2013 entitled Portable Computer.
 Design U.S. Appl. No. 29/457,874 Inventor: Won-Suk Chung, et al., filed Jun. 13, 2013 entitled Body of Portable Computer.
 Design U.S. Appl. No. 29/457,875 Inventor: Son-Young Lee, et al., filed Jun. 13, 2013 entitled Display for a Portable Computer.
 Design U.S. Appl. No. 29/458,186 Inventor: Ji-Eun Myung, et al., filed Jun. 28, 2013 entitled Portable Computer.
 Design U.S. Appl. No. 29/458,191 Inventor: Ji-Eun Myung, et al., filed Jun. 28, 2013 entitled Portable Computer.
 Design U.S. Appl. No. 29/458,200 Inventor: Ji-Eun Myung, et al., filed Jun. 28, 2013 entitled Body of Portable Computer.
 Design U.S. Appl. No. 29/458,204 Inventor: Ji-Eun Myung, et al., filed Jun. 28, 2013 entitled Portable Computer.
 Design U.S. Appl. No. 29/458,206 Inventor: Ji-Eun Myung, et al., filed Jun. 28, 2013 entitled Body of Portable Computer.
 Design U.S. Appl. No. 29/458,207 Inventor: Ji-Eun Myung, et al., filed Jun. 28, 2013 entitled Display for a Portable Computer.
 Design U.S. Appl. No. 29/458,277 Inventor: Ji-Eun Myung, et al., filed Jun. 28, 2013 entitled Display for a Portable Computer.
 Design U.S. Appl. No. 29/458,285 Inventor: Ji-Eun Myung, et al., filed Jun. 28, 2013 entitled Display for a Portable Computer.
 Design U.S. Appl. No. 29/458,289 Inventor: Ji-Eun Myung, et al., filed Jun. 28, 2013 entitled Body of Portable Computer.
 Design U.S. Appl. No. 29/458,290 Inventor: Ji-Eun Myung, et al., filed Jun. 28, 2013 entitled Display for a Portable Computer.
 Design U.S. Appl. No. 29/452,596 Inventor: Son-Young Lee, et al., filed Apr. 18, 2013 entitled Portable Computer.
 Design U.S. Appl. No. 29/405,537 Applicant: Ik-Sang Kim, et al., filed Nov. 3, 2011 entitled Tablet Computer.
 Design U.S. Appl. No. 29/407,975 Applicant: Bum-Ho Chun, et al., filed Dec. 6, 2011 entitled Tablet Computer.
 Design U.S. Appl. No. 29/407,982 Applicant: EunuaeShally Lee, et al., filed Dec. 6, 2011 entitled Tablet Computer.
 Design U.S. Appl. No. 29/407,984 Applicant: So-Yoon Jeon, et al., filed Dec. 6, 2011 entitled Tablet Computer.
 Design U.S. Appl. No. 29/408,017 Applicant: Jae-Seung Song, et al., filed Dec. 6, 2011 entitled Tablet Computer.
 Design U.S. Appl. No. 29/416,029 Applicant: Min-Jung Kim, et al., filed Mar. 16, 2012 entitled Tablet Computer.
 Design U.S. Appl. No. 29/416,032 Applicant: Min-Jung Kim, et al., filed Mar. 16, 2012 entitled Tablet Computer.
 Design U.S. Appl. No. 29/418,670 Applicant: Byeong-Yong Song, et al., filed Apr. 19, 2012 entitled Tablet Computer.
 Design U.S. Appl. No. 29/419,893 Applicant: Ik-Sang Kim, et al., filed May 2, 2012 entitled Slate Computer.
 Design U.S. Appl. No. 29/419,907 Applicant: Ik-Sang Kim, et al., filed May 2, 2012 entitled Slate Computer.
 Design U.S. Appl. No. 29/419,911 Applicant: Min-Jung Kim, et al., filed May 2, 2012 entitled Tablet Computer.
 Design U.S. Appl. No. 29/420,669 Applicant: Woo-Teik Lim, et al., filed May 11, 2012 entitled Tablet Computer.
 Design U.S. Appl. No. 29/422,581 Applicant: Jung-Hyun Park, et al., filed May 22, 2012 entitled Notebook Computer.
 Design U.S. Appl. No. 29/422,594 Applicant: Jung-Hyun Park, et al., filed May 22, 2012 entitled Notebook Computer.
 Design U.S. Appl. No. 29/422,779 Applicant: Tae-Yun Kim, et al., filed May 23, 2012 entitled Notebook Computer.
 Design U.S. Appl. No. 29/424,453 Applicant: Se-O Lee, et al., filed Jun. 12, 2012 entitled Notebook Computer.
 Design U.S. Appl. No. 29/424,462 Applicant: Sang-Eun Lee, et al., filed Jun. 12, 2012 entitled Netbook Computer.
 Design U.S. Appl. No. 29/425,225 Applicant: Seung-Ho Jung, et al., filed Jun. 20, 2012 entitled Portable Computer.
 Design U.S. Appl. No. 29/425,732 Applicant: Ji-Sang Park, et al., filed Jun. 26, 2012 entitled Portable Computer.
 Design U.S. Appl. No. 29/425,977 Applicant: Ji-Sang Park, et al., filed Jun. 28, 2012 entitled Tablet Computer.
 Design U.S. Appl. No. 29/425,978 Applicant: Woo-Teik Lim, et al., filed Jun. 28, 2012 entitled Tablet Computer.
 Design U.S. Appl. No. 29/427,736 Applicant: Min-Jung Kim, et al., filed Jul. 21, 2012 entitled Tablet Computer.

(56)

References Cited

OTHER PUBLICATIONS

Design U.S. Appl. No. 29/431,774 Applicant: Sang-Eun Lee, et al., filed Sep. 11, 2012 entitled Tablet Computer.
Design U.S. Appl. No. 29/435,870 Inventor: Son-Young Lee, et al., filed Oct. 30, 2012 entitled Portable Computer.
Design U.S. Appl. No. 29/435,889 Inventor: Dong-Seok Lee, et al., filed Oct. 30, 2012 entitled Portable Computer.
Design U.S. Appl. No. 29/438,934 Inventor: Ik-Sang Kim, et al., filed Dec. 5, 2012 entitled Slate Computer.
Design U.S. Appl. No. 29/438,948 Inventor: Chung-Ha Kim, et al., filed Dec. 5, 2012 entitled Portable Computer.
Design U.S. Appl. No. 29/438,951 Inventor: Chung-Ha Kim, et al., filed Dec. 5, 2012 entitled Portable Computer.
Design U.S. Appl. No. 29/441,093 Inventor: Chang-Ho Lee, et al., filed Dec. 31, 2012 entitled Portable Computer.
Design U.S. Appl. No. 29/441,101 Inventor: Chang-Ho Lee, et al., filed Dec. 31, 2012 entitled Portable Computer.
Design U.S. Appl. No. 29/441,112 Inventor: Chang-Ho Lee, et al., filed Dec. 31, 2012 entitled Portable Computer.
Design U.S. Appl. No. 29/441,114 Inventor: Chang-Ho Lee, et al., filed Dec. 31, 2012 entitled Portable Computer.
Design U.S. Appl. No. 29/441,179 Inventor: Chang-Ho Lee, et al., filed Jan. 2, 2013 entitled Portable Computer.
Design U.S. Appl. No. 29/452,297 Inventor: Min-Hee Lee, et al., filed Apr. 15, 2013 entitled Notebook Computer.
Design U.S. Appl. No. 29/452,583 Inventor: Seung-Ho Jung, et al., filed Apr. 18, 2013 entitled Portable Computer.
Design U.S. Appl. No. 29/452,586 Inventor: Seung-Ho Jung, et al., filed Apr. 18, 2013 entitled Portable Computer.

Design U.S. Appl. No. 29/452,588 Inventor: Chung-Ha Kim, et al., filed Apr. 18, 2013 entitled Portable Computer.
Design U.S. Appl. No. 29/452,592 Inventor: Son-Young Lee, et al., filed Apr. 18, 2013 entitled Portable Computer.
Design U.S. Appl. No. 29/452,587 Inventor: Sung-Jin Yum, et al., filed Apr. 18, 2013 entitled Portable Computer.
Design U.S. Appl. No. 29/452,594 Inventor: Son-Young Lee, et al., filed Apr. 18, 2013 entitled Portable Computer.
Design U.S. Appl. No. 29/452,595 Inventor: Ho-Young Seoc, et al., filed Apr. 18, 2013 entitled Slate Computer.
Design U.S. Appl. No. 29/452,601 Inventor: Ji-Sang Park, et al., filed Apr. 18, 2013 entitled Portable Computer.
Design U.S. Appl. No. 29/456,501 Inventor: Se-Hun Oh, et al., filed May 31, 2013 entitled Portable Computer.
Design U.S. Appl. No. 29/457,839 Inventor: Son-Young Lee, et al., filed Jun. 13, 2013 entitled Portable Computer.
Design U.S. Appl. No. 29/457,846 Inventor: Son-Young Lee, et al., filed Jun. 13, 2013 entitled Body of Portable Computer.
Design U.S. Appl. No. 29/457,848 Inventor: Son-Young Lee, et al., filed Jun. 13, 2013 entitled Portable Computer.
Design U.S. Appl. No. 29/457,852 Inventor: Son-Young Lee, et al., filed Jun. 13, 2013 entitled Body of Portable Computer.
Design U.S. Appl. No. 29/457,859 Inventor: Son-Young Lee, et al., filed Jun. 13, 2013 entitled Portable Computer.
Design U.S. Appl. No. 29/457,864 Inventor: Son-Young Lee, et al., filed Jun. 13, 2013 entitled Portable Computer.
Design U.S. Appl. No. 29/457,867 Inventor: Son-Young Lee, et al., filed Jun. 13, 2013 entitled Portable Computer.

* cited by examiner

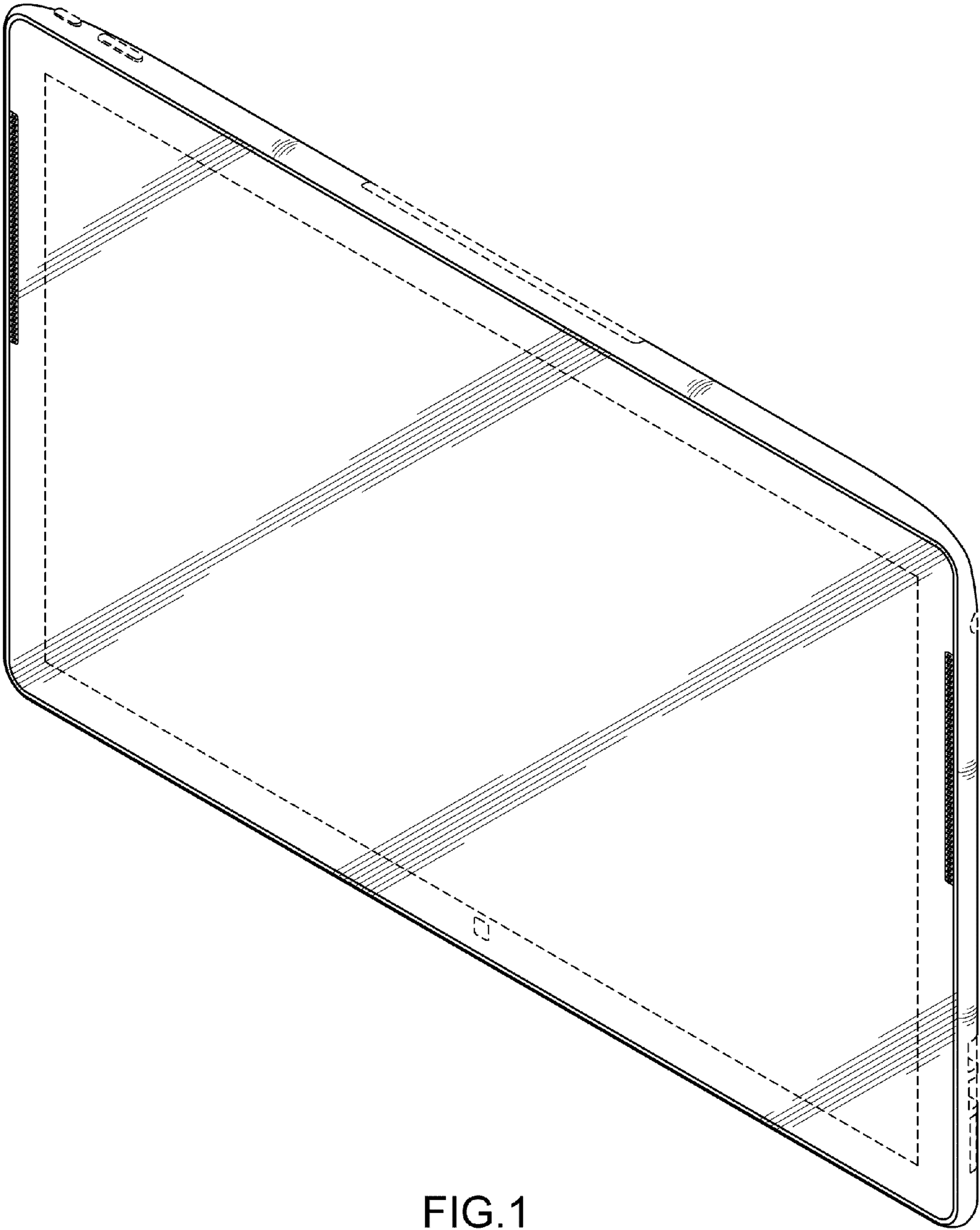


FIG.1

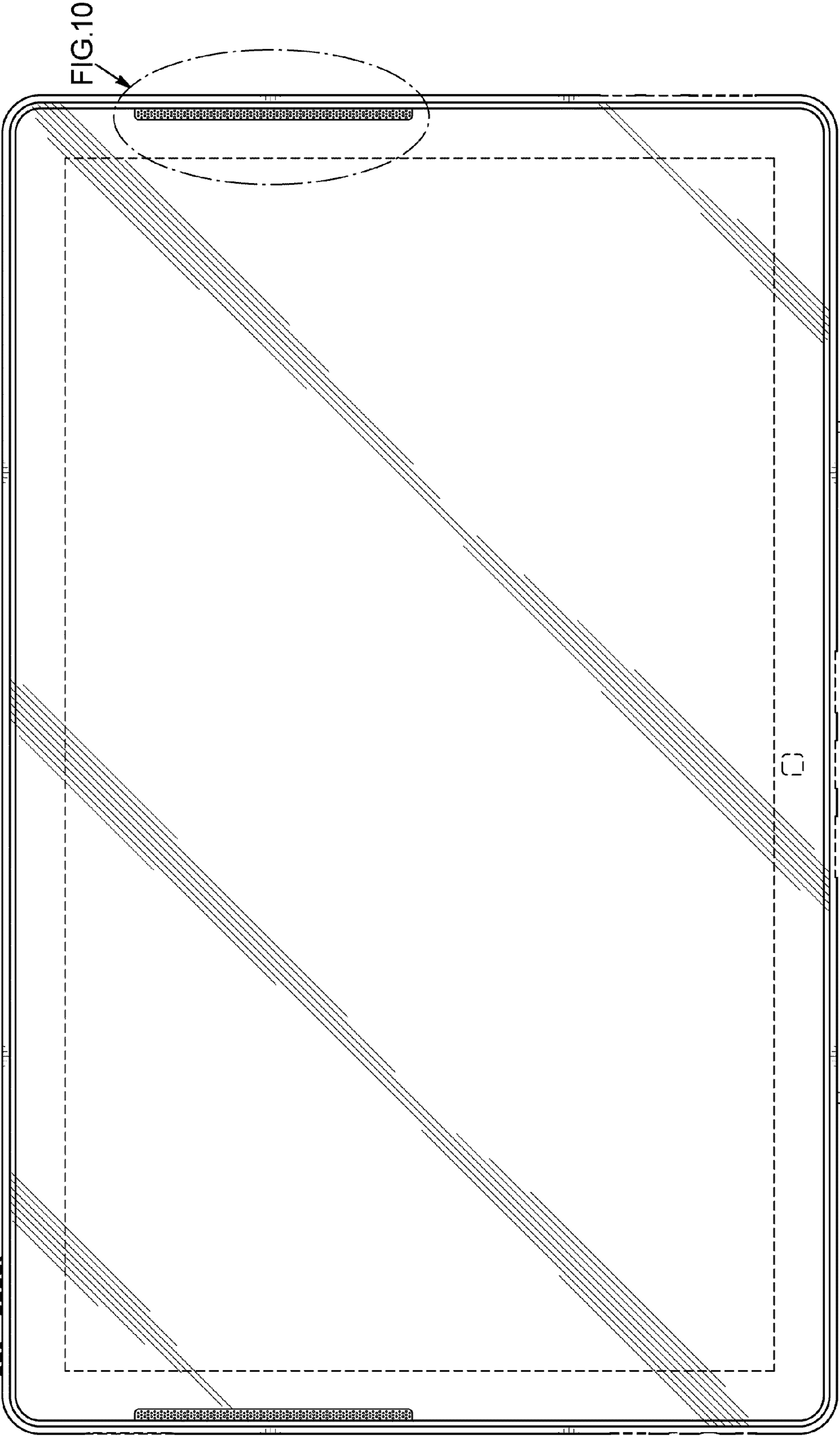


FIG.2

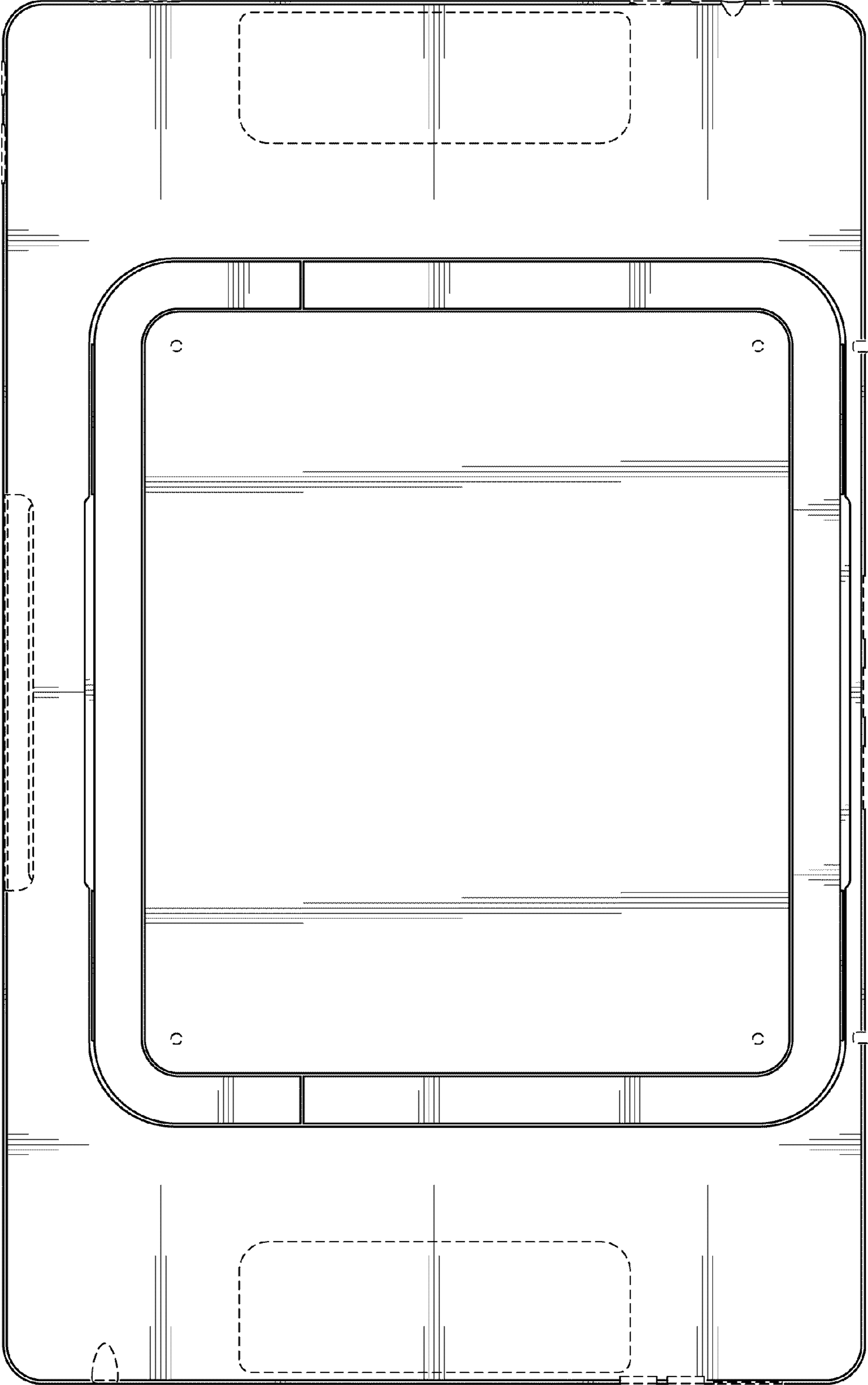


FIG.3

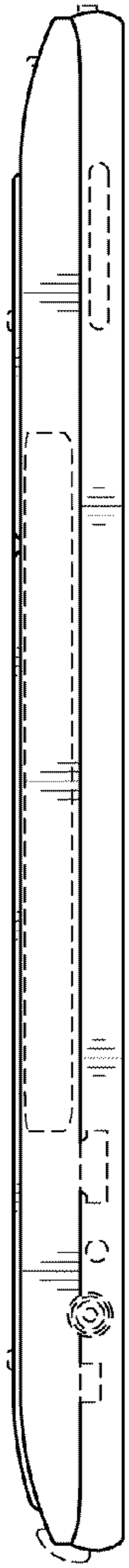


FIG. 4

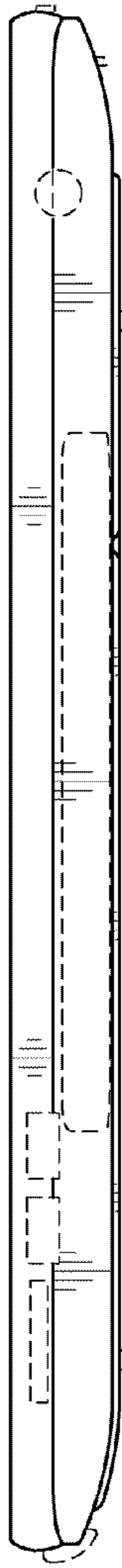


FIG. 5

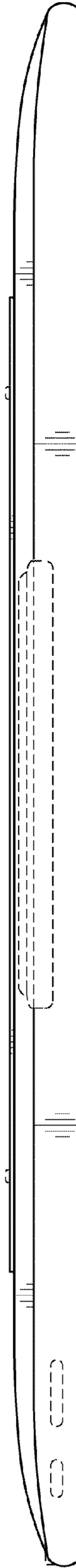


FIG. 6

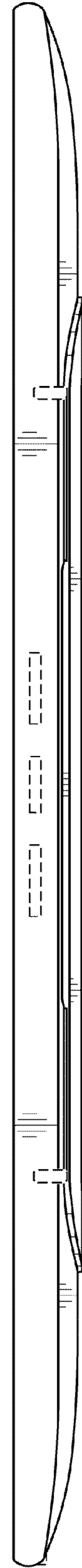


FIG. 7

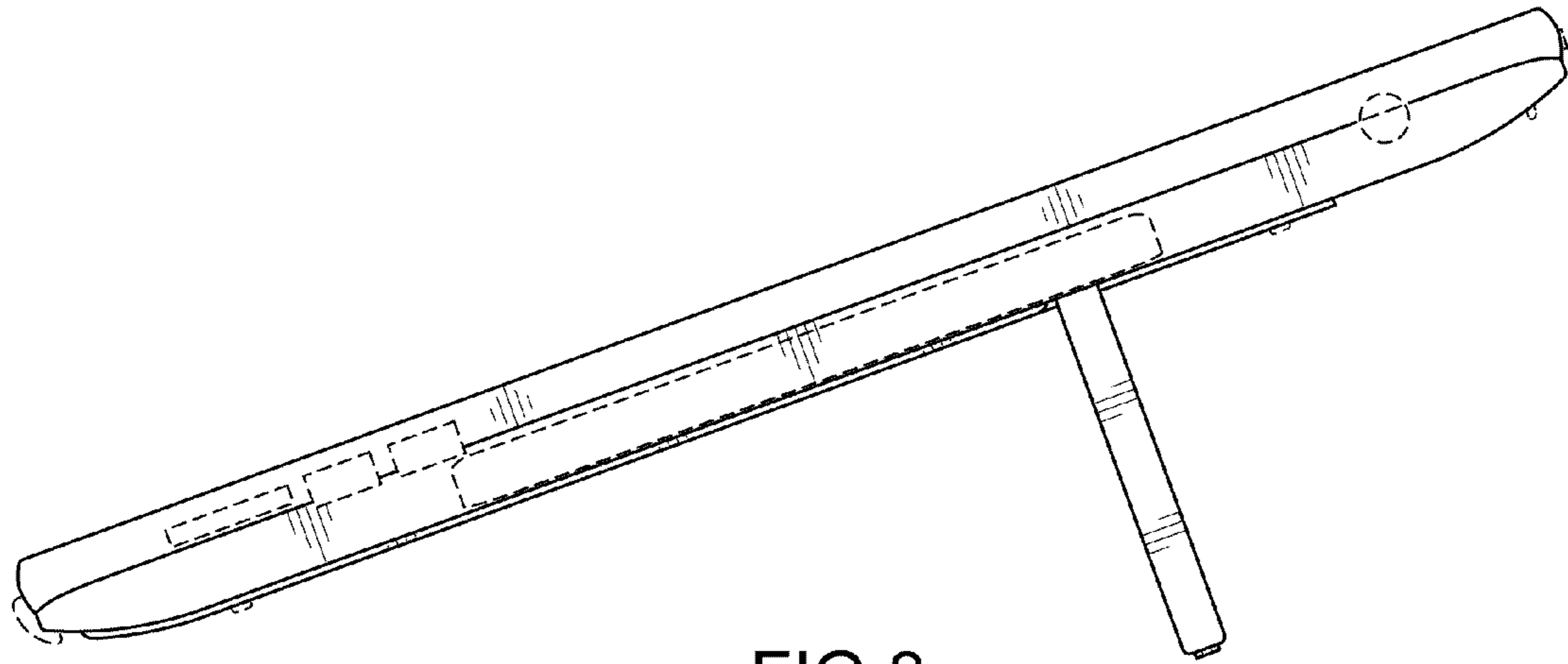


FIG. 8

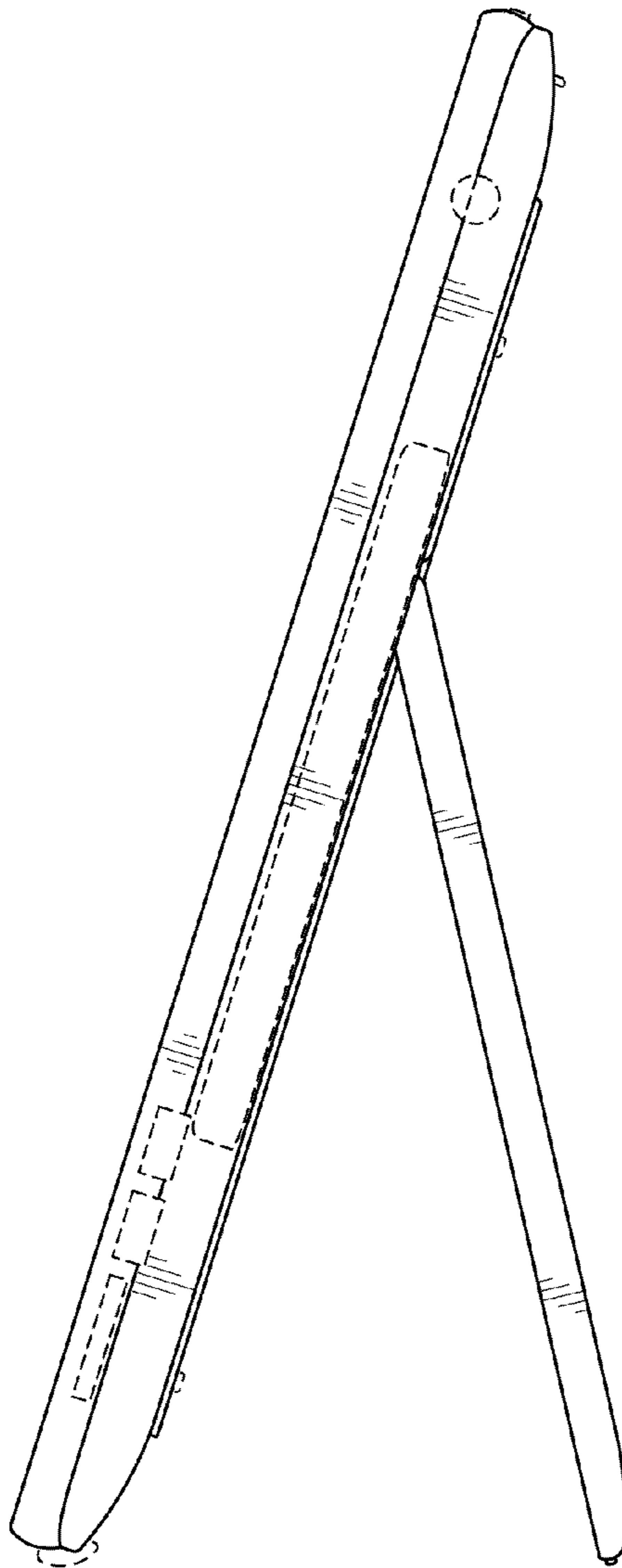


FIG. 9

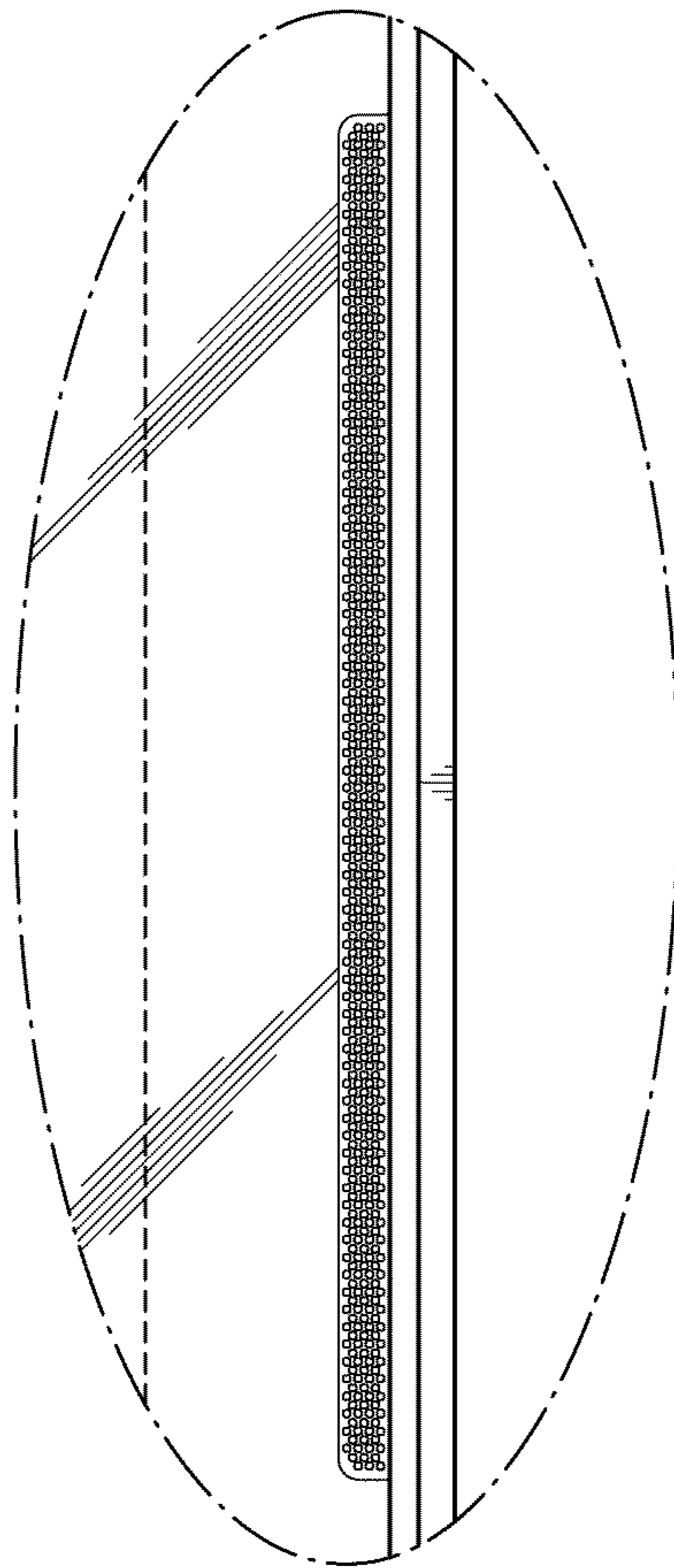


FIG. 10