



US00D728558S

(12) **United States Design Patent**
Lee et al.

(10) **Patent No.:** **US D728,558 S**

(45) **Date of Patent:** **** May 5, 2015**

(54) **MONITOR INTEGRATED COMPUTER**

(56) **References Cited**

(71) Applicant: **LG Electronics Inc.**, Seoul (KR)

U.S. PATENT DOCUMENTS

(72) Inventors: **Seungdon Lee**, Seoul (KR); **Gangho Woo**, Seoul (KR); **Sunghoon Oh**, Seoul (KR)

D417,659	S	*	12/1999	Takemasa	D14/374
D422,576	S	*	4/2000	Chuo et al.	D14/375
D545,315	S	*	6/2007	Kim	D14/375
D594,457	S	*	6/2009	Chen	D14/374
D653,254	S	*	1/2012	Lu et al.	D14/374
D675,174	S	*	1/2013	Lee et al.	D14/126
D690,294	S	*	9/2013	Isonaga et al.	D14/336
2011/0026216	A1	*	2/2011	Liao et al.	361/679.35
2011/0216493	A1	*	9/2011	Zheng et al.	361/679.21
2011/0222231	A1	*	9/2011	Huang et al.	361/679.21

(73) Assignee: **LG Electronics Inc.**, Seoul (KR)

(**) Term: **14 Years**

* cited by examiner

(21) Appl. No.: **29/477,265**

Primary Examiner — Freda S Nunn

(22) Filed: **Dec. 20, 2013**

(74) *Attorney, Agent, or Firm* — Morgan, Lewis & Bockius LLP

(30) **Foreign Application Priority Data**

Jun. 21, 2013 (KR) 30-2013-0032178

(51) **LOC (10) Cl.** **14-02**

(52) **U.S. Cl.**

USPC **D14/336; D14/374**

(58) **Field of Classification Search**

USPC D14/371–376, 125–129, 336, 337;
248/917–924, 371, 121, 176.1, 278.1;
341/12; 345/104, 156, 173, 174,
345/901–905; 348/180, 184, 352, 739;
349/1, 2, 11, 62; 361/679.06–679.08,
361/679.21, 679.22, 679.35

See application file for complete search history.

(57) **CLAIM**

The ornamental design for a monitor integrated computer, as shown and described.

DESCRIPTION

FIG. 1 is a front, right side, perspective view of a monitor integrated computer showing our new design;
FIG. 2 is a front view thereof;
FIG. 3 is a rear view thereof;
FIG. 4 is a left side view thereof;
FIG. 5 is a right side view thereof;
FIG. 6 is a top view thereof; and,
FIG. 7 is a bottom view thereof.

1 Claim, 3 Drawing Sheets

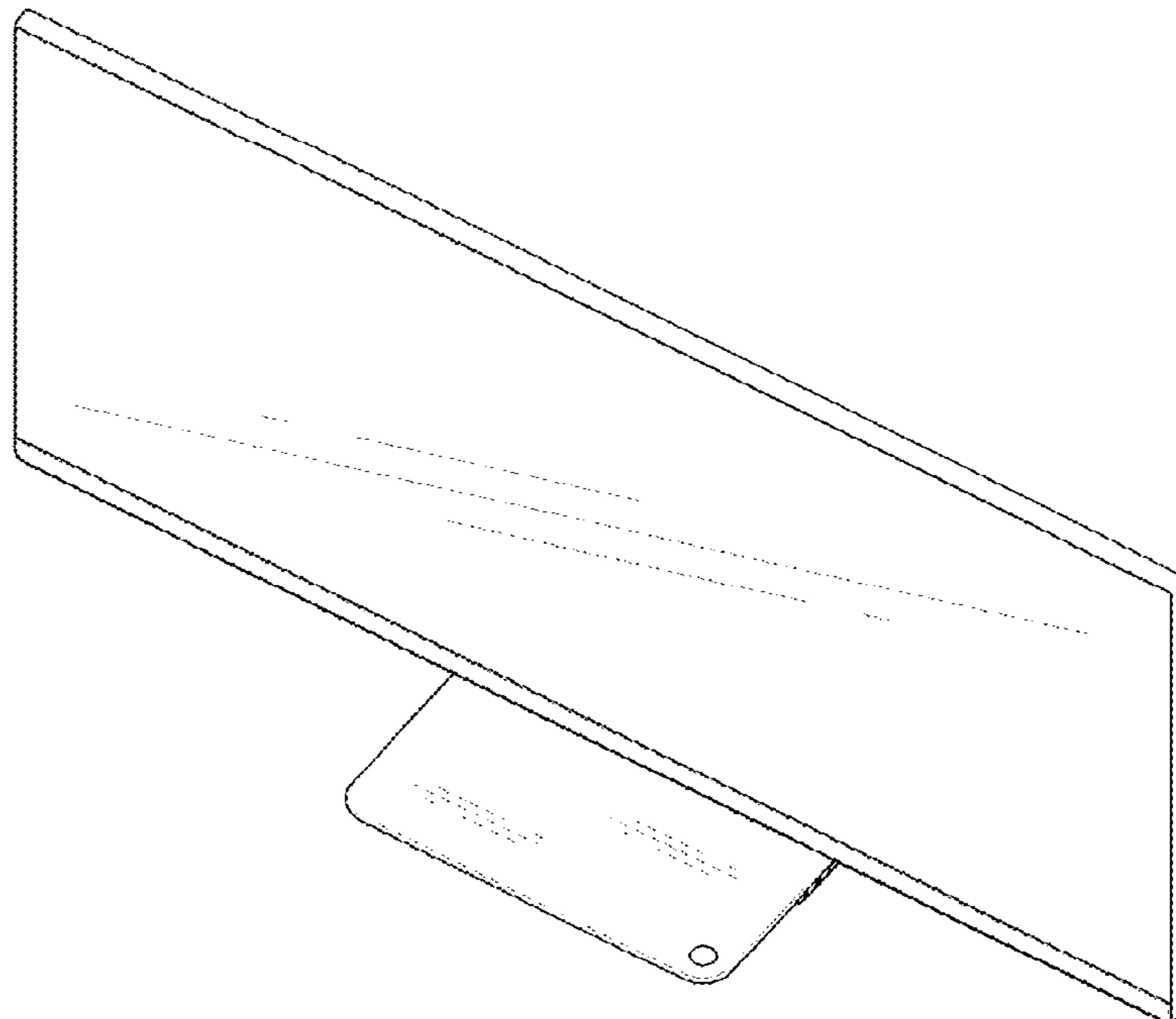


FIG. 1

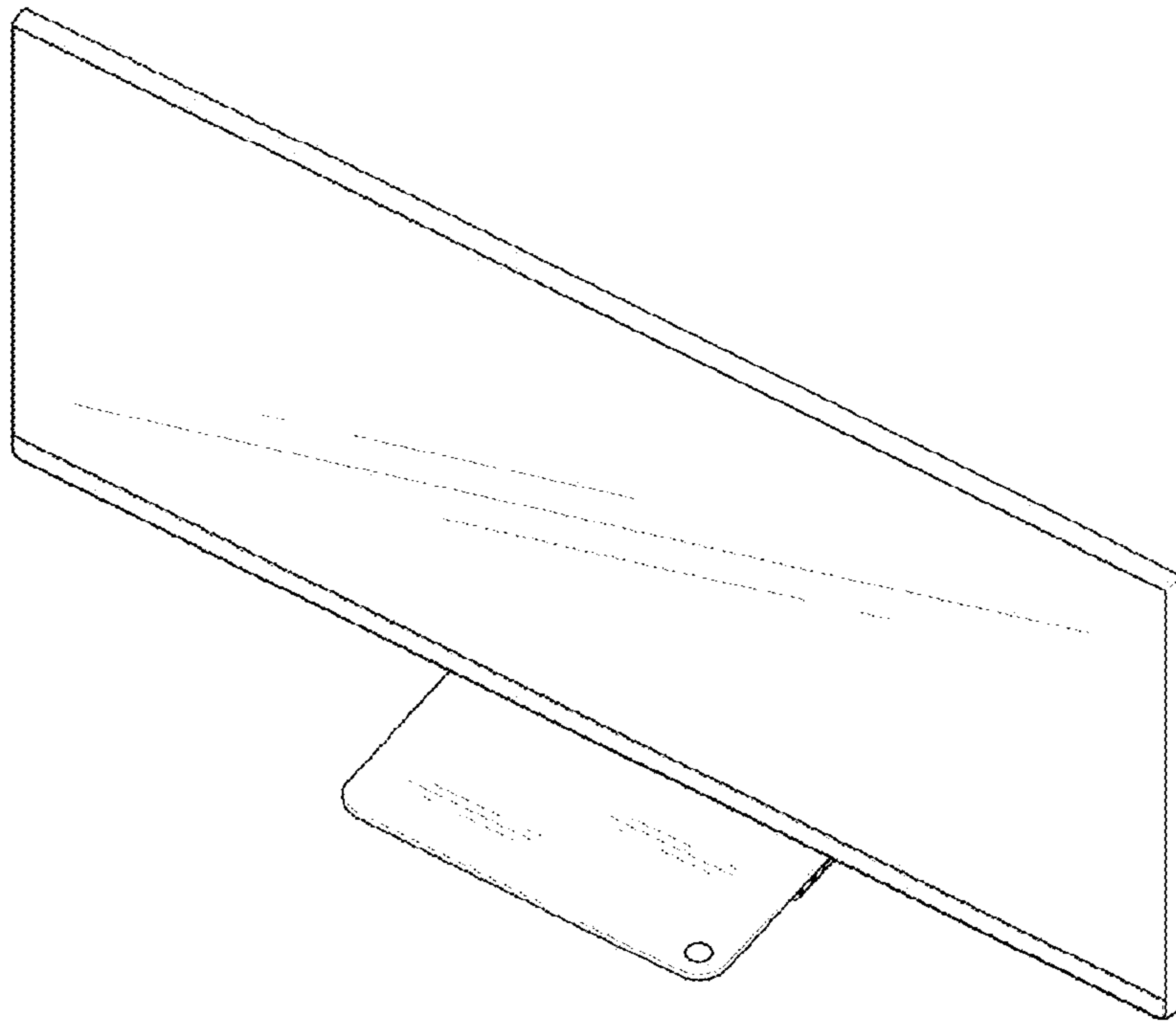


FIG. 2

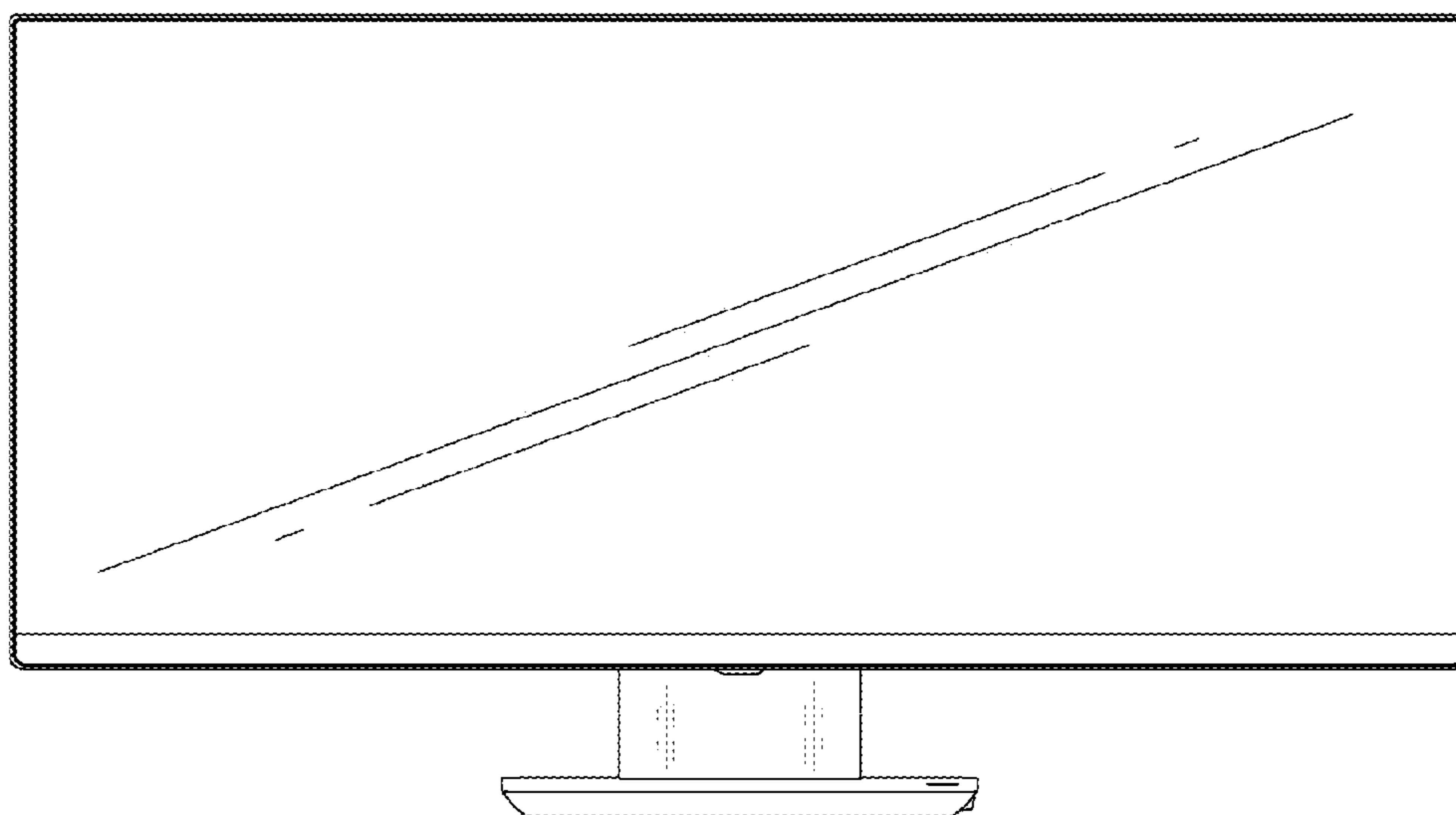


FIG. 3

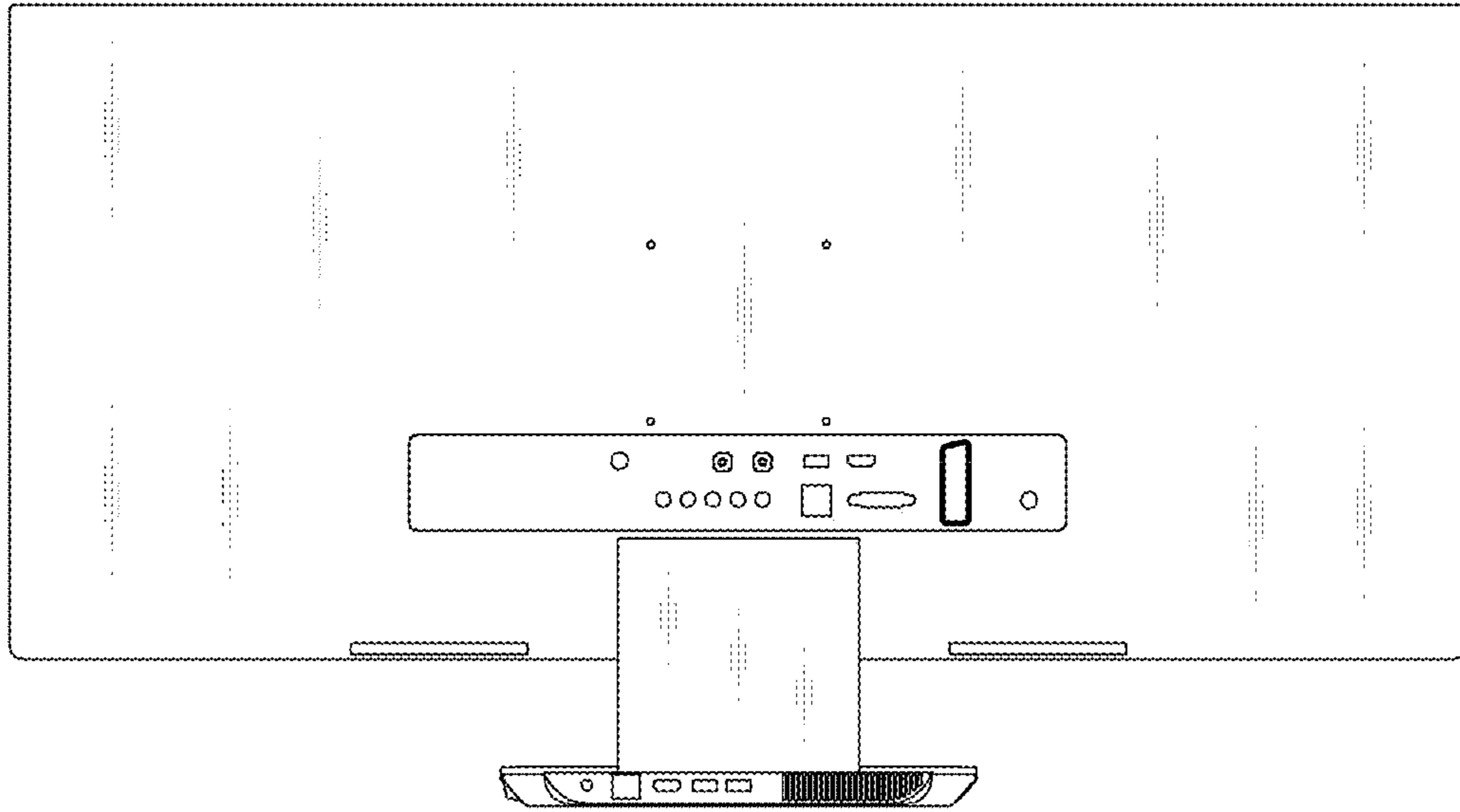


FIG. 4

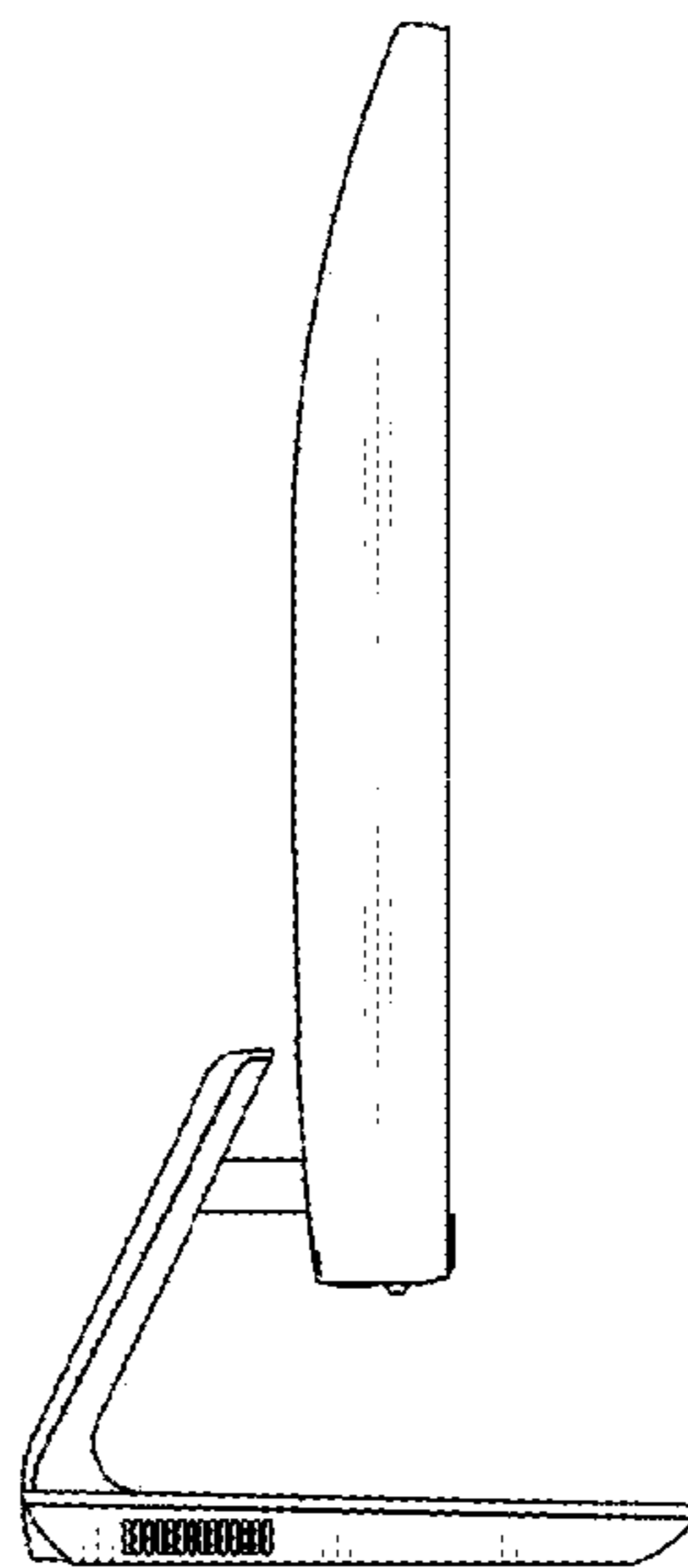


FIG. 5

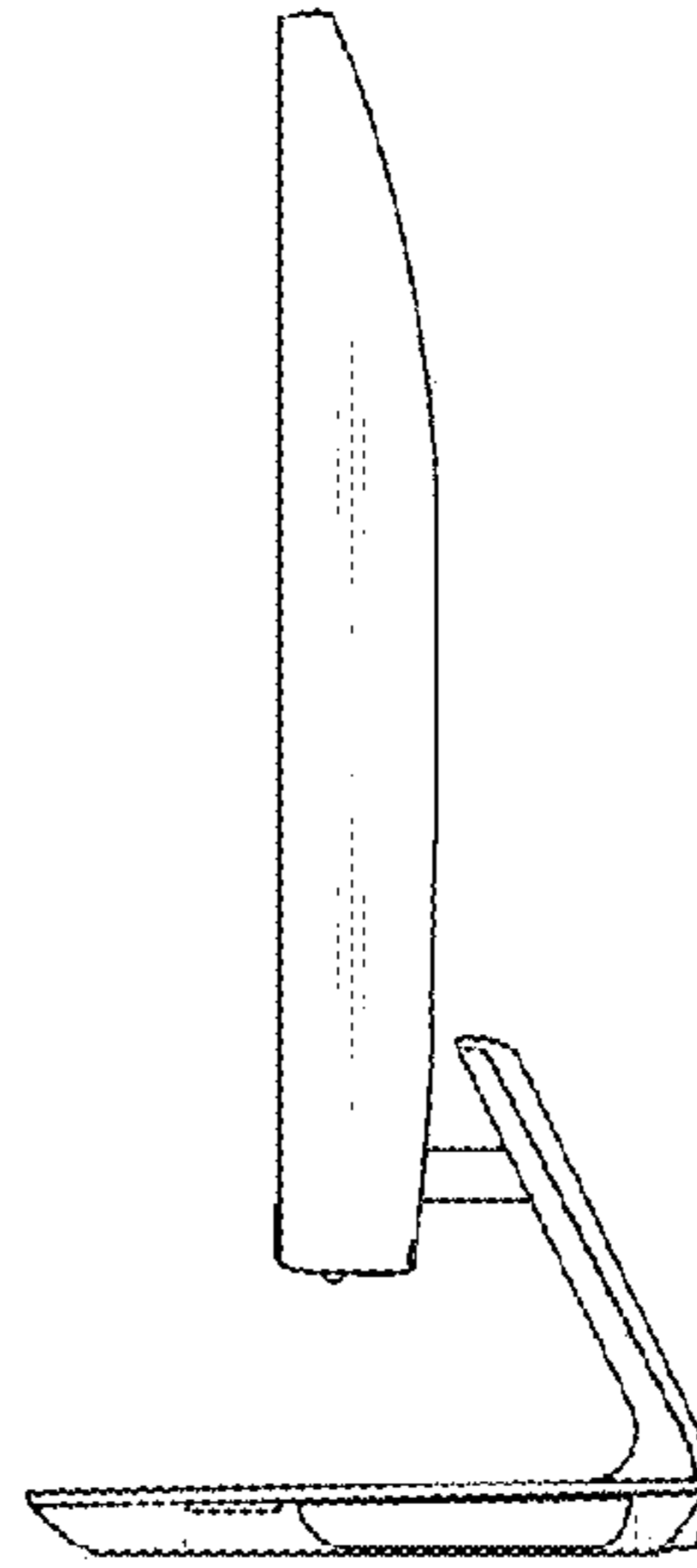


FIG. 6

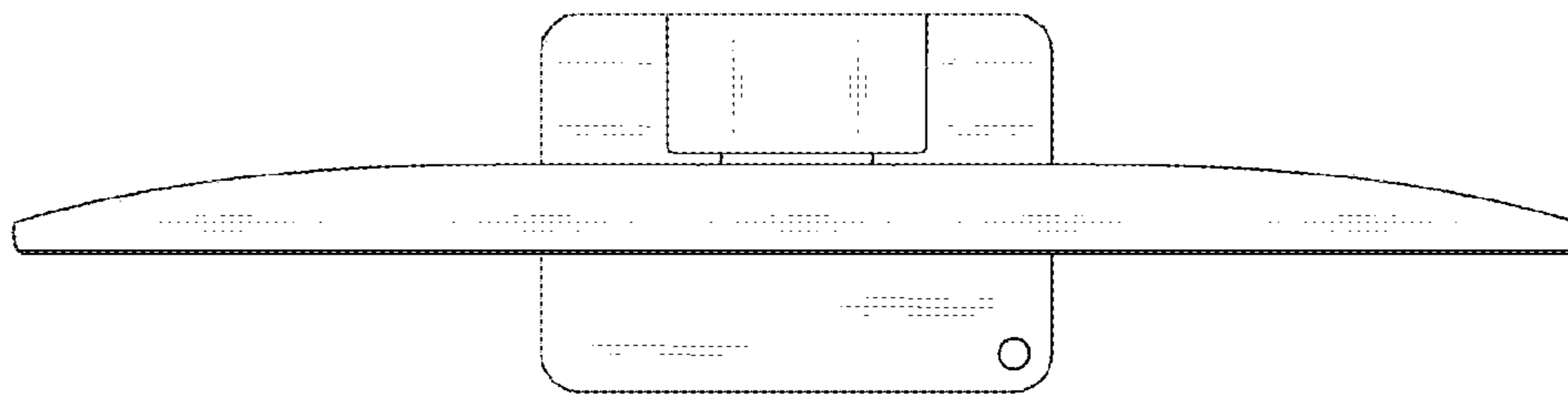


FIG. 7

