



US00D728556S

(12) **United States Design Patent**
Kishita et al.

(10) **Patent No.:** **US D728,556 S**
(45) **Date of Patent:** **** May 5, 2015**

(54) **PROCESS CONTROL INSTRUMENT**

(71) Applicant: **Mitsubishi Heavy Industries, Ltd.**,
Tokyo (JP)

(72) Inventors: **Koichi Kishita**, Tokyo (JP); **Kazuyuki Misawa**, Tokyo (JP); **Kenichi Morimoto**, Tokyo (JP); **Yuichi Yakushiji**, Tokyo (JP); **Sumiko Takeda**, Tokyo (JP)

(73) Assignee: **Mitsubishi Hitachi Power Systems, Ltd.**, Kanagawa (JP)

(**) Term: **14 Years**

(21) Appl. No.: **29/461,931**

(22) Filed: **Jul. 29, 2013**

(30) **Foreign Application Priority Data**

Jan. 30, 2013 (JP) 2013-001738

(51) **LOC (10) Cl.** **14-02**

(52) **U.S. Cl.**
USPC **D14/300**

(58) **Field of Classification Search**
USPC D14/140.1, 140.2, 140.3, 144, 147, 148,
D14/149, 150, 151, 300, 301, 302, 308, 311,
D14/312, 349, 353, 354, 356, 357, 358;
D10/49, 123; D13/110, 139.1, 162,
D13/162.1, 164, 177; 174/50; 361/600, 622;
455/128, 347

See application file for complete search history.

(56) **References Cited**

U.S. PATENT DOCUMENTS

D339,102 S * 9/1993 Boyd D13/110
D372,017 S * 7/1996 Suematsu et al. D13/110

D374,861 S * 10/1996 Mousa D13/110
D376,347 S * 12/1996 Mousa D13/110
D456,782 S * 5/2002 Nagai et al. D13/162
D488,441 S * 4/2004 Ogawa et al. D13/110
D506,976 S * 7/2005 Dechene et al. D13/110
D511,137 S * 11/2005 Tuomola et al. D13/110
D553,564 S * 10/2007 Kuo et al. D13/110
D561,095 S * 2/2008 Sakai et al. D13/110
D606,937 S * 12/2009 Brookshire et al. D13/110
D621,350 S * 8/2010 Huang et al. D13/110
D657,310 S * 4/2012 Fahrendorff et al. D13/110
D705,162 S * 5/2014 Mueller et al. D13/110

* cited by examiner

Primary Examiner — Caron D Veynar

Assistant Examiner — Holly E Thurman

(74) *Attorney, Agent, or Firm* — Birch, Stewart, Kolasch & Birch, LLP

(57) **CLAIM**

The ornamental design for a process control instrument, as shown and described.

DESCRIPTION

FIG. 1 is a perspective view of a process control instrument. FIG. 2 is a front elevation view thereof. FIG. 3 is a rear elevation view thereof. FIG. 4 is a left side elevation view thereof. FIG. 5 is a right side elevation view thereof. FIG. 6 is a top plan view thereof. FIG. 7 is a bottom plan view thereof. FIG. 8 is a cross-sectional view taken along the line 8-8 in FIG. 2, which omits the internal structure; and, FIG. 9 is a cross-sectional view taken along the line 9-9 in FIG. 2, which omits the internal structure. The oblique line shading on the semicircle area of the front side illustrates translucency. The broken lines depict unclaimed subject matter only, which forms no part of the claimed design.

1 Claim, 9 Drawing Sheets

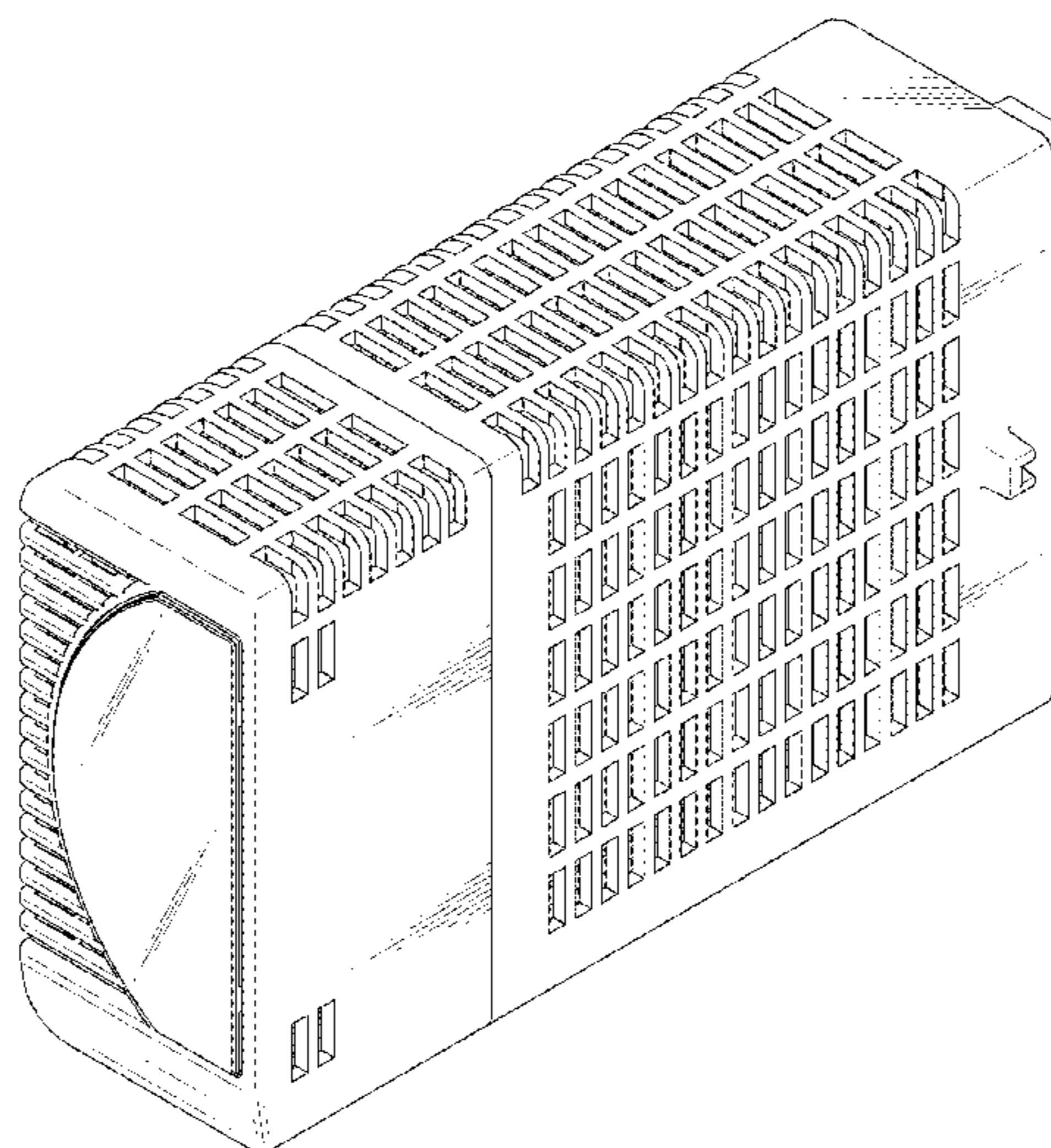


FIG. 1

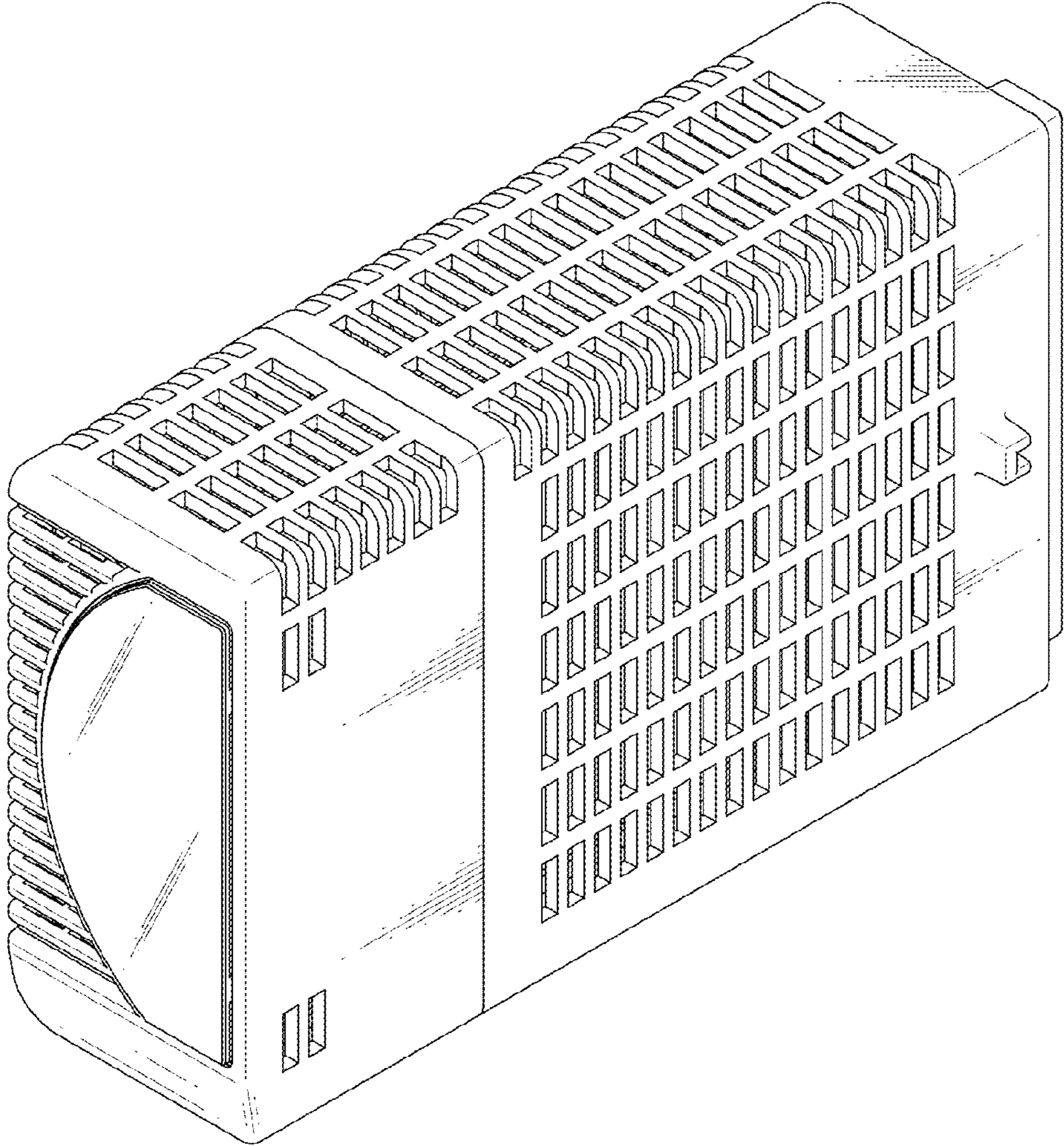


FIG. 2

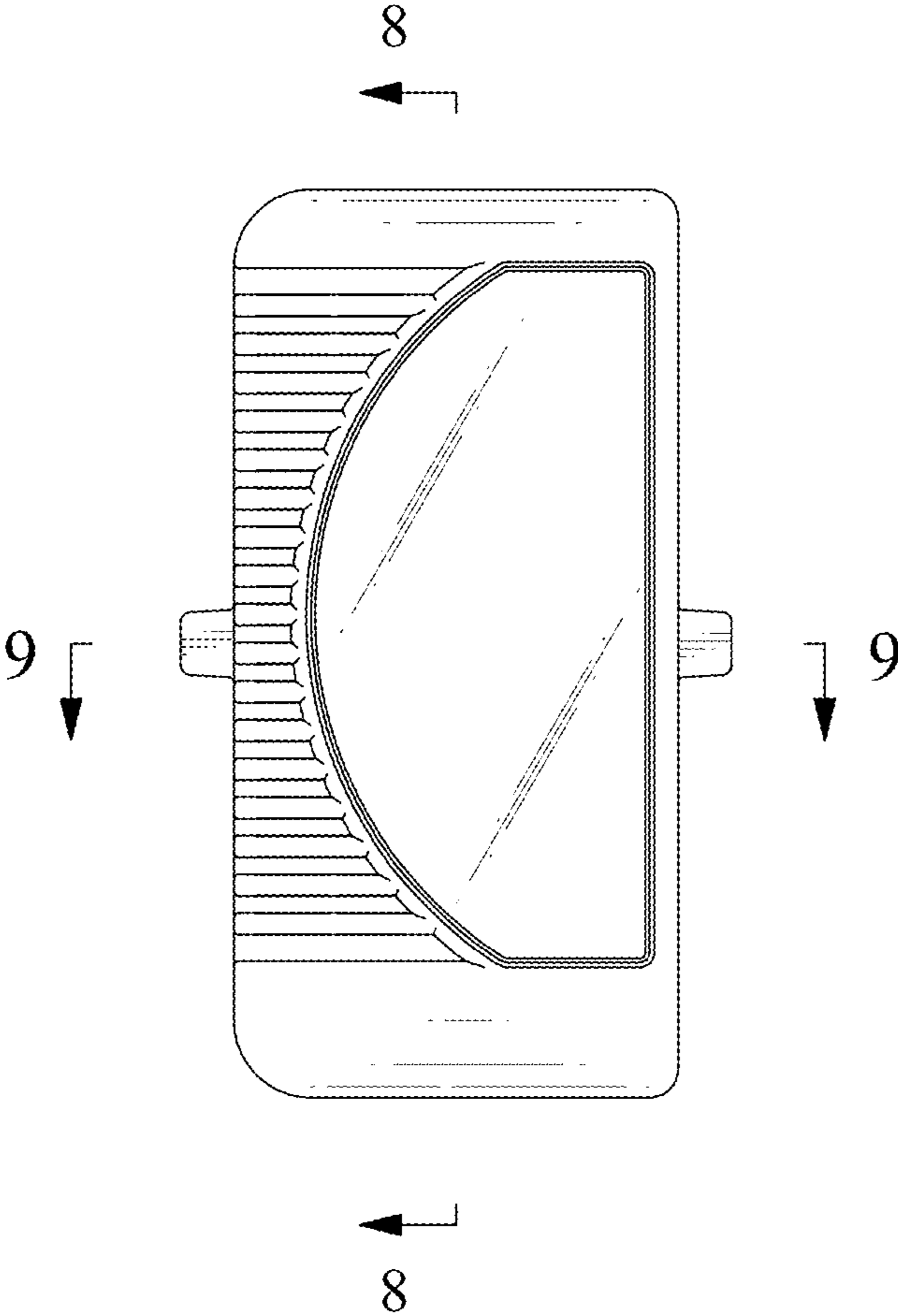


FIG. 3

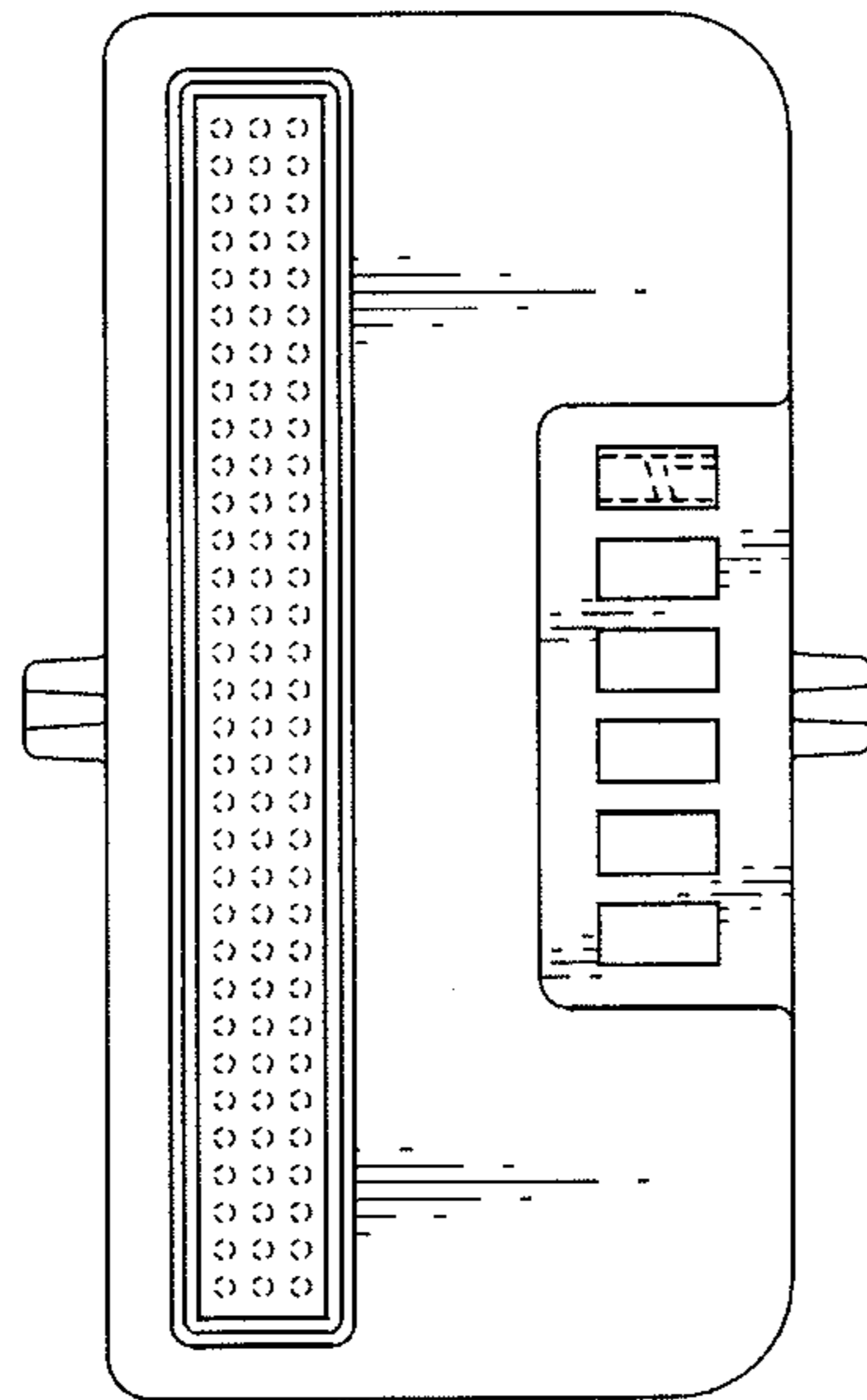


FIG. 4

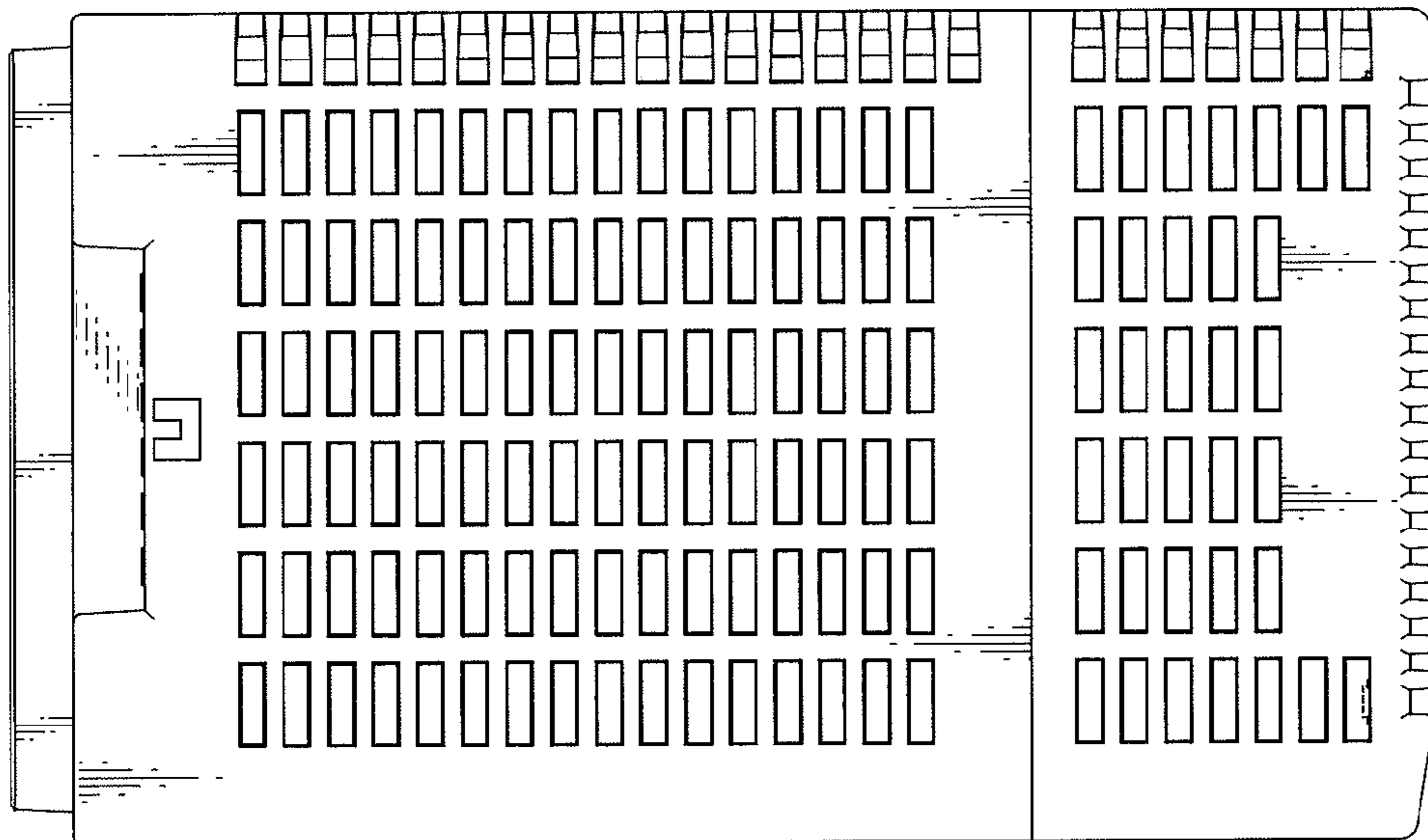


FIG. 5

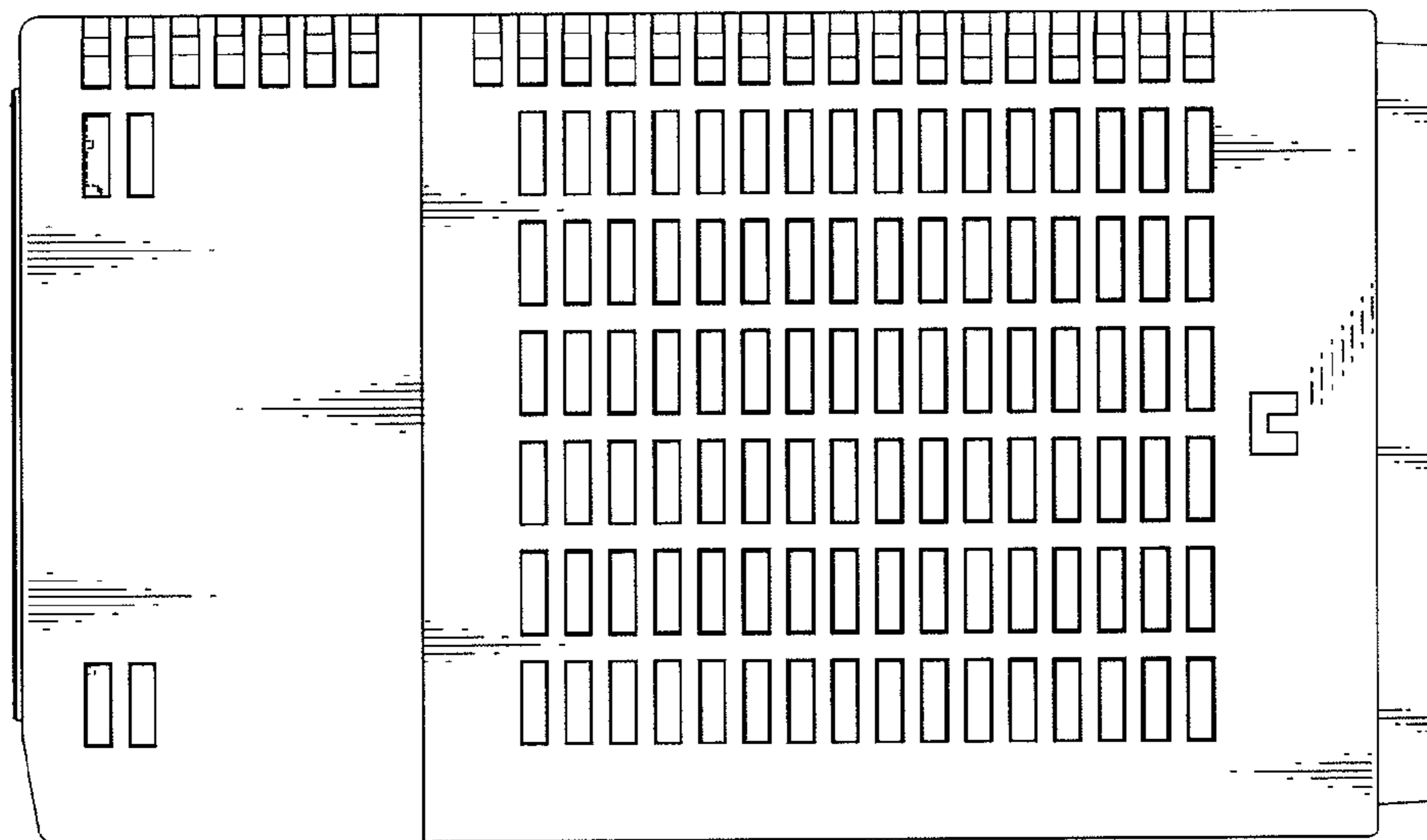


FIG. 6

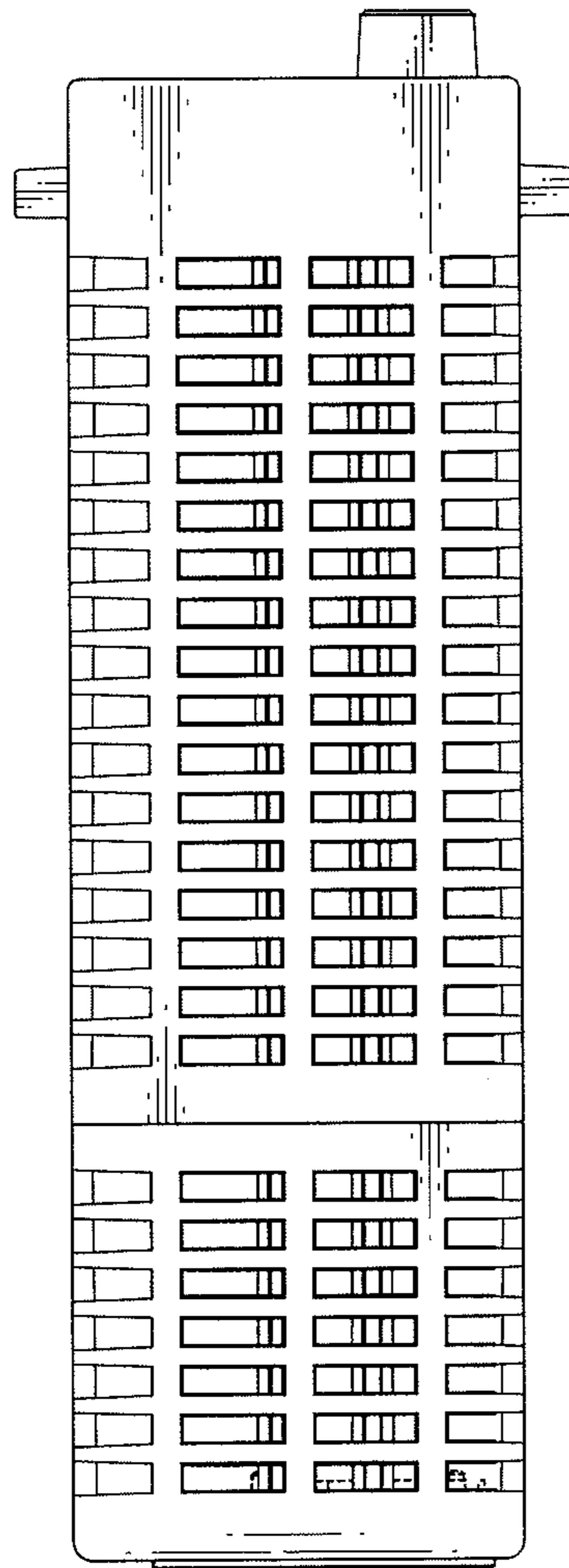


FIG. 7

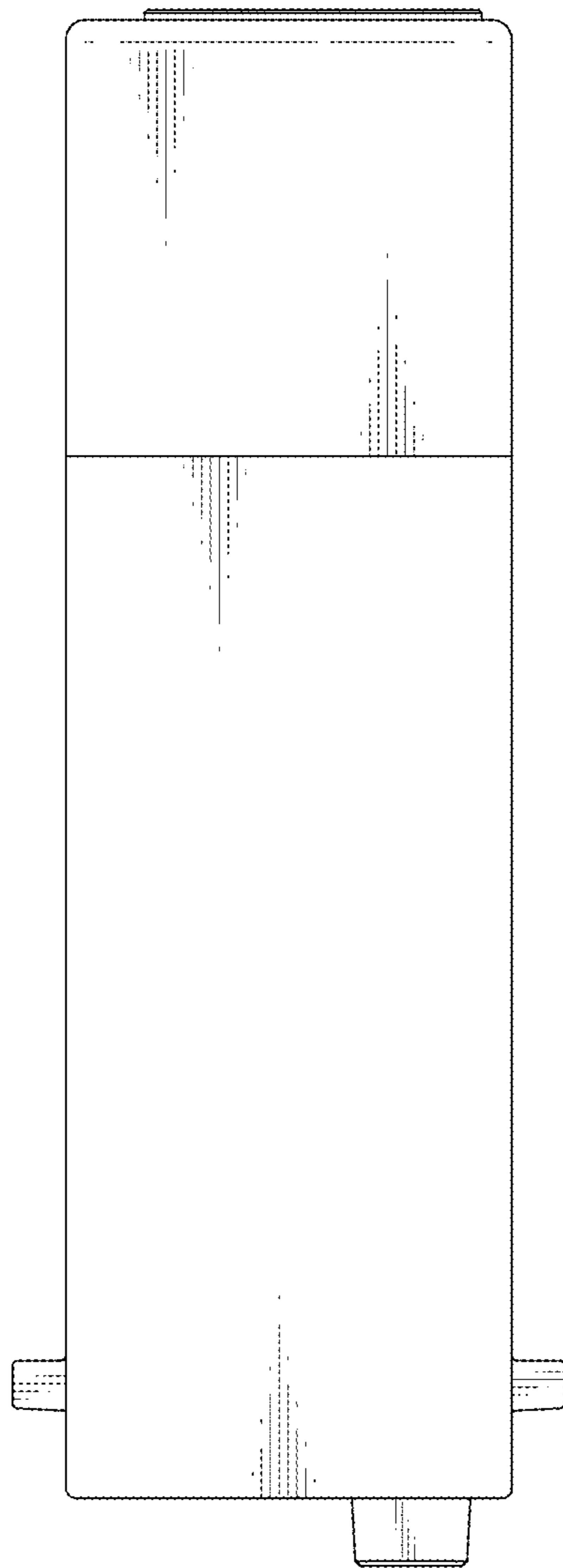


FIG. 8

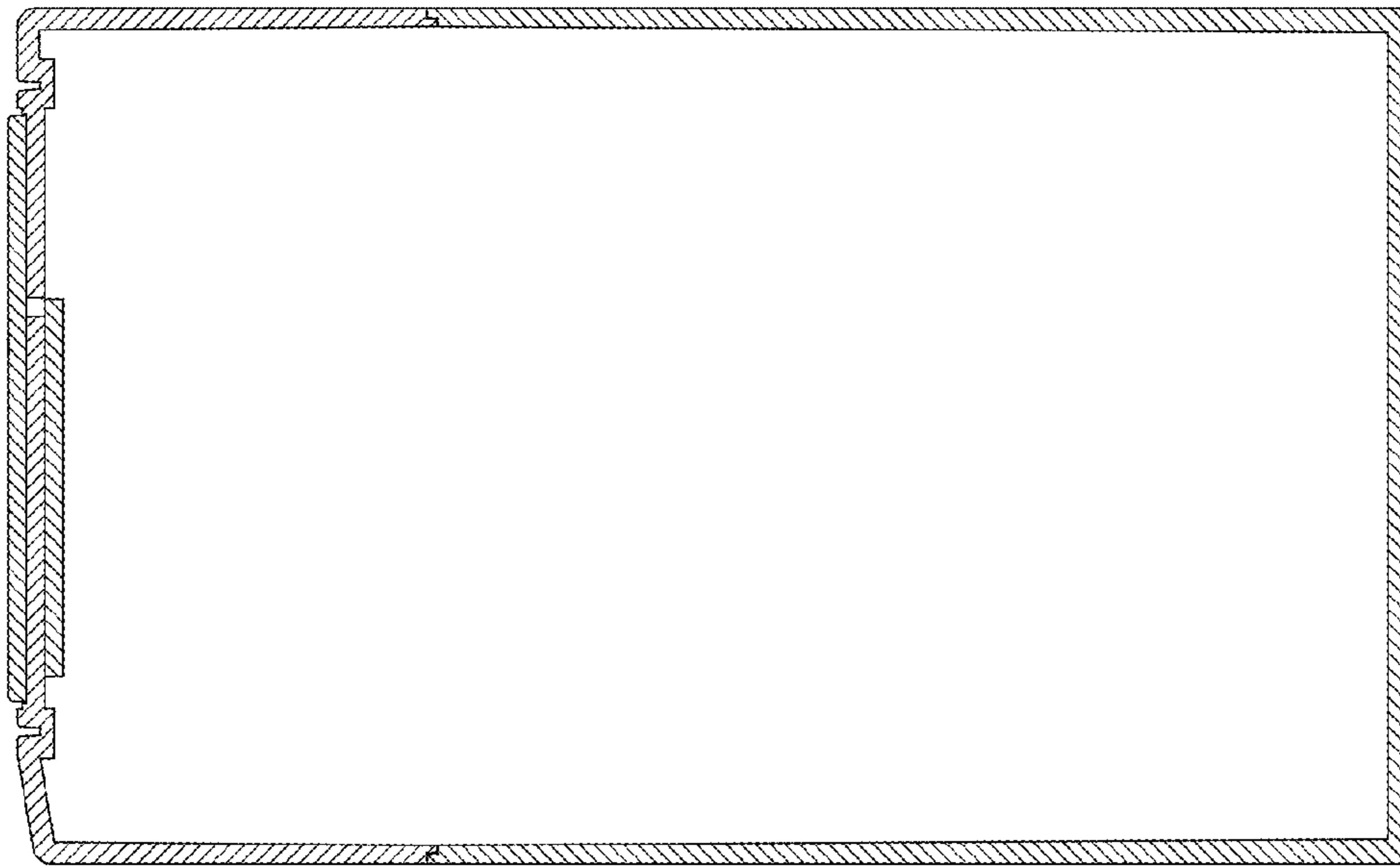


FIG. 9

