



US00D728548S

(12) **United States Design Patent**
Keung

(10) **Patent No.:** **US D728,548 S**

(45) **Date of Patent:** **** *May 5, 2015**

(54) **CELL PHONE COVER**

(71) Applicant: **Silver Creation International Ltd.,**
Kowloon (HK)

(72) Inventor: **Tao Chi Keung,** Kowloon (HK)

(73) Assignee: **Silver Creation International Ltd.,**
Kowloon (HK)

(*) Notice: This patent is subject to a terminal disclaimer.

(**) Term: **14 Years**

(21) Appl. No.: **29/441,649**

(22) Filed: **Jan. 8, 2013**

(51) **LOC (10) Cl.** **14-03**

(52) **U.S. Cl.**
USPC **D14/250**

(58) **Field of Classification Search**
USPC D14/138 AD, 138 C, 138 G, 203.7, 230,
D14/238.1, 240, 247, 248, 250, 253, 341,
D14/345, 346, 439, 440, 447, 496;
D13/103, 107, 119; D3/201, 218, 269,
D3/273, 293, 294, 905; 206/320;
455/456.1, 575.1, 575.4, 575.8;
D24/158; 396/27; D16/204, 218;
D7/629

See application file for complete search history.

(56) **References Cited**

U.S. PATENT DOCUMENTS

6,415,947	B1 *	7/2002	Kim	220/788
D551,846	S *	10/2007	Ko et al.	D3/201
D566,484	S *	4/2008	George	D7/629
D646,313	S *	10/2011	Woodman	D16/200
D647,303	S *	10/2011	Mish et al.	D3/294
D657,808	S *	4/2012	Woodman	D16/200
D669,587	S *	10/2012	Mayer	D24/158
D700,778	S *	3/2014	To et al.	D3/294
2009/0317069	A1 *	12/2009	Yim	396/27
2011/0147245	A1 *	6/2011	Yim	206/316.2
2012/0257008	A1 *	10/2012	Taylor	348/36
2013/0082963	A1 *	4/2013	Chu	345/173

* cited by examiner

Primary Examiner — Thomas Johannes

Assistant Examiner — Chelsea Sealey

(74) *Attorney, Agent, or Firm* — Schmeiser, Olsen & Watts LLP

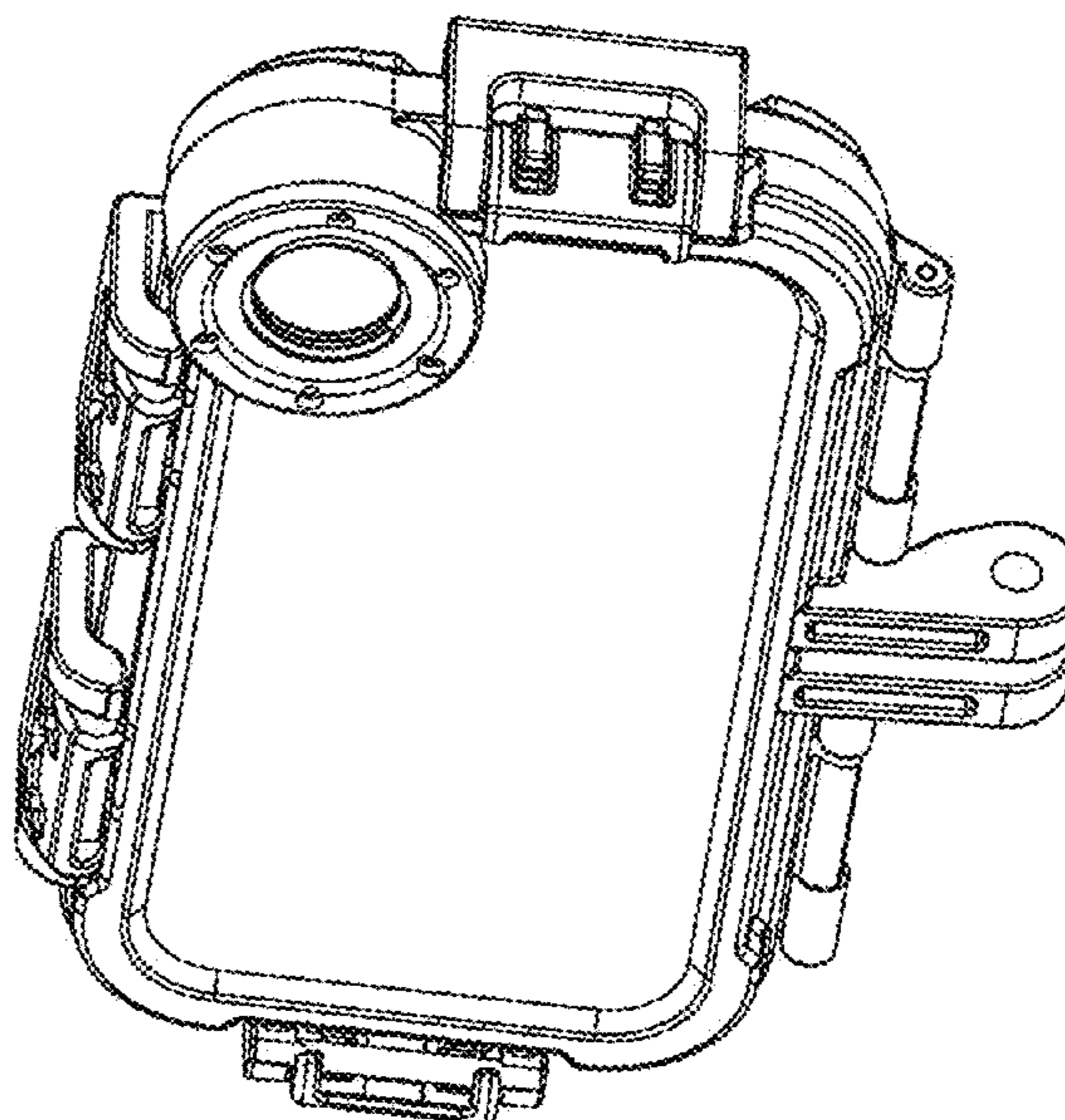
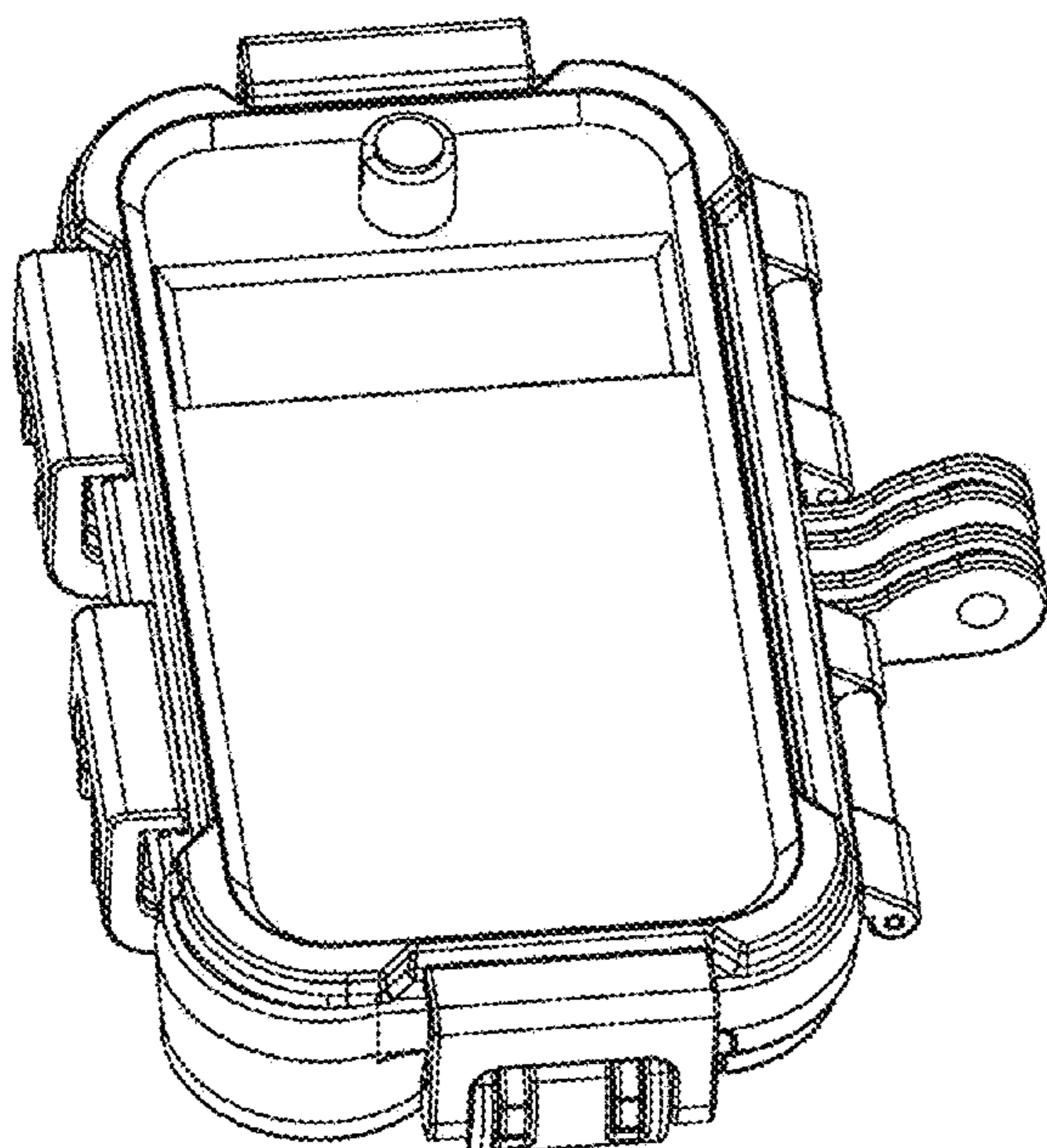
(57) **CLAIM**

The ornamental design for a cell phone cover, as shown.

DESCRIPTION

FIG. 1 is a front perspective view of a cell phone cover showing my new design;
FIG. 2 is a rear perspective view thereof;
FIG. 3 is a front elevation view thereof;
FIG. 4 is a rear elevation view thereof;
FIG. 5 is a left side elevation view thereof;
FIG. 6 is a right side elevation view thereof;
FIG. 7 is a top plan view thereof; and,
FIG. 8 is a bottom plan view thereof.

1 Claim, 6 Drawing Sheets



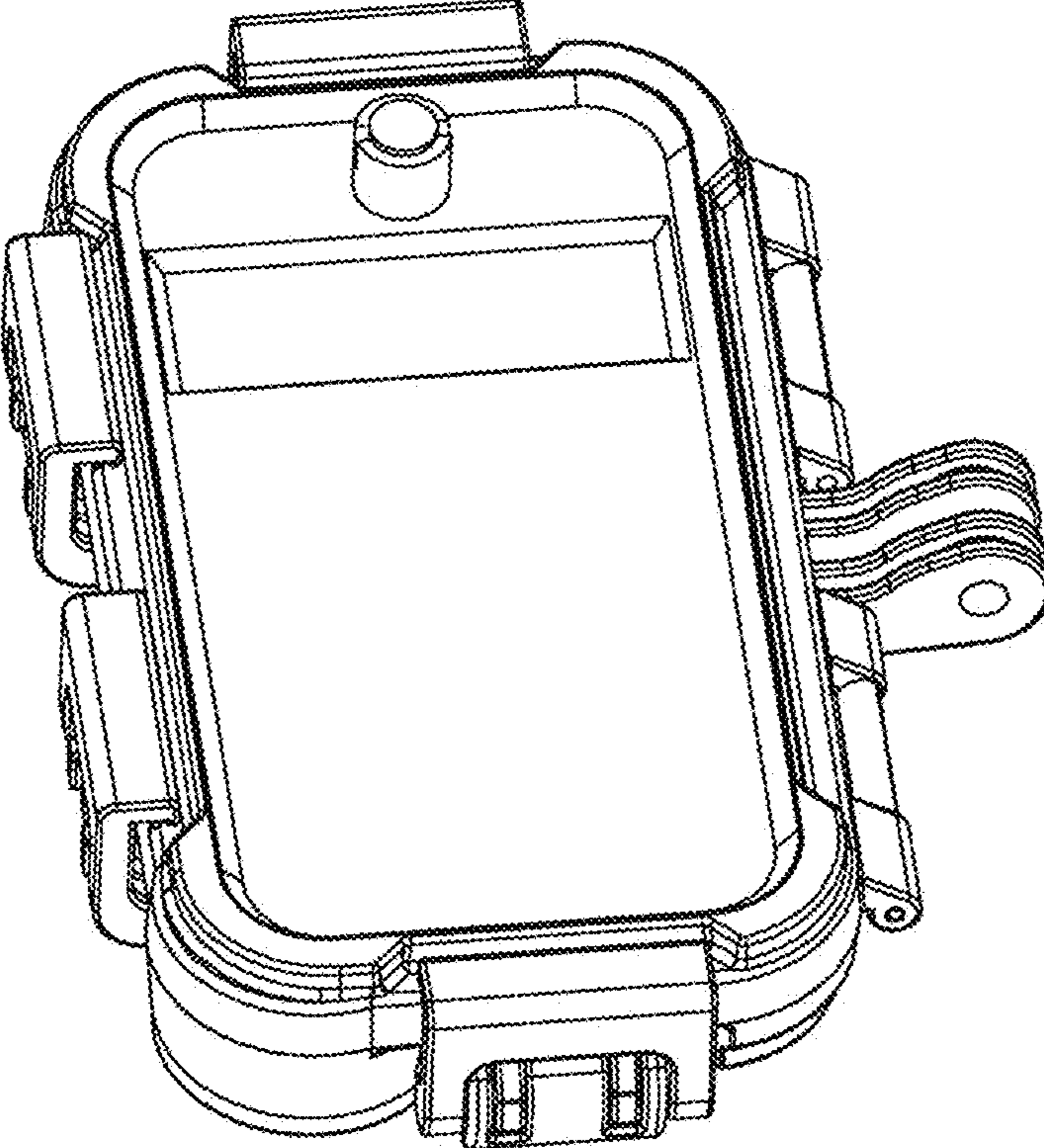


FIG. 1

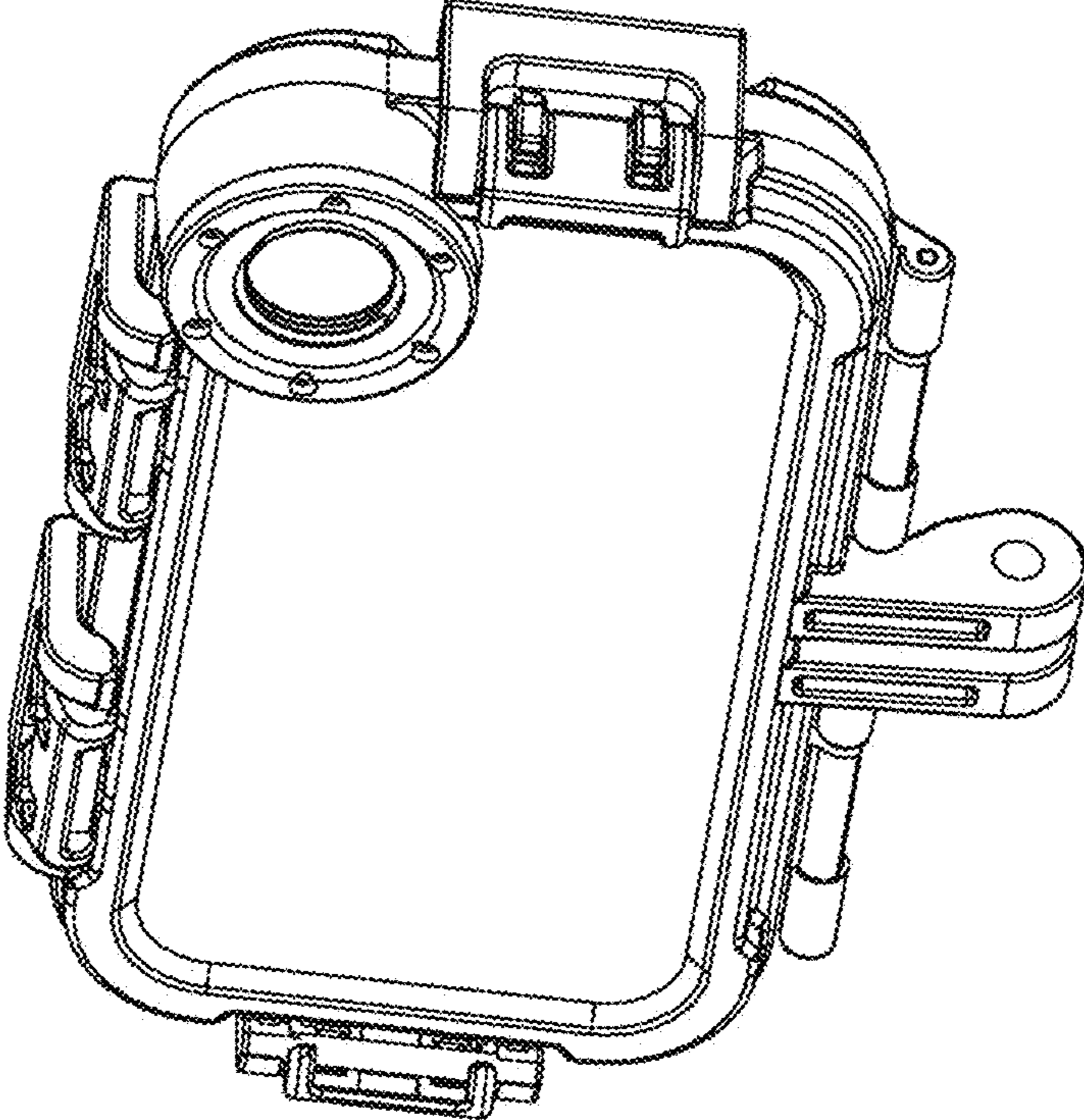


FIG. 2

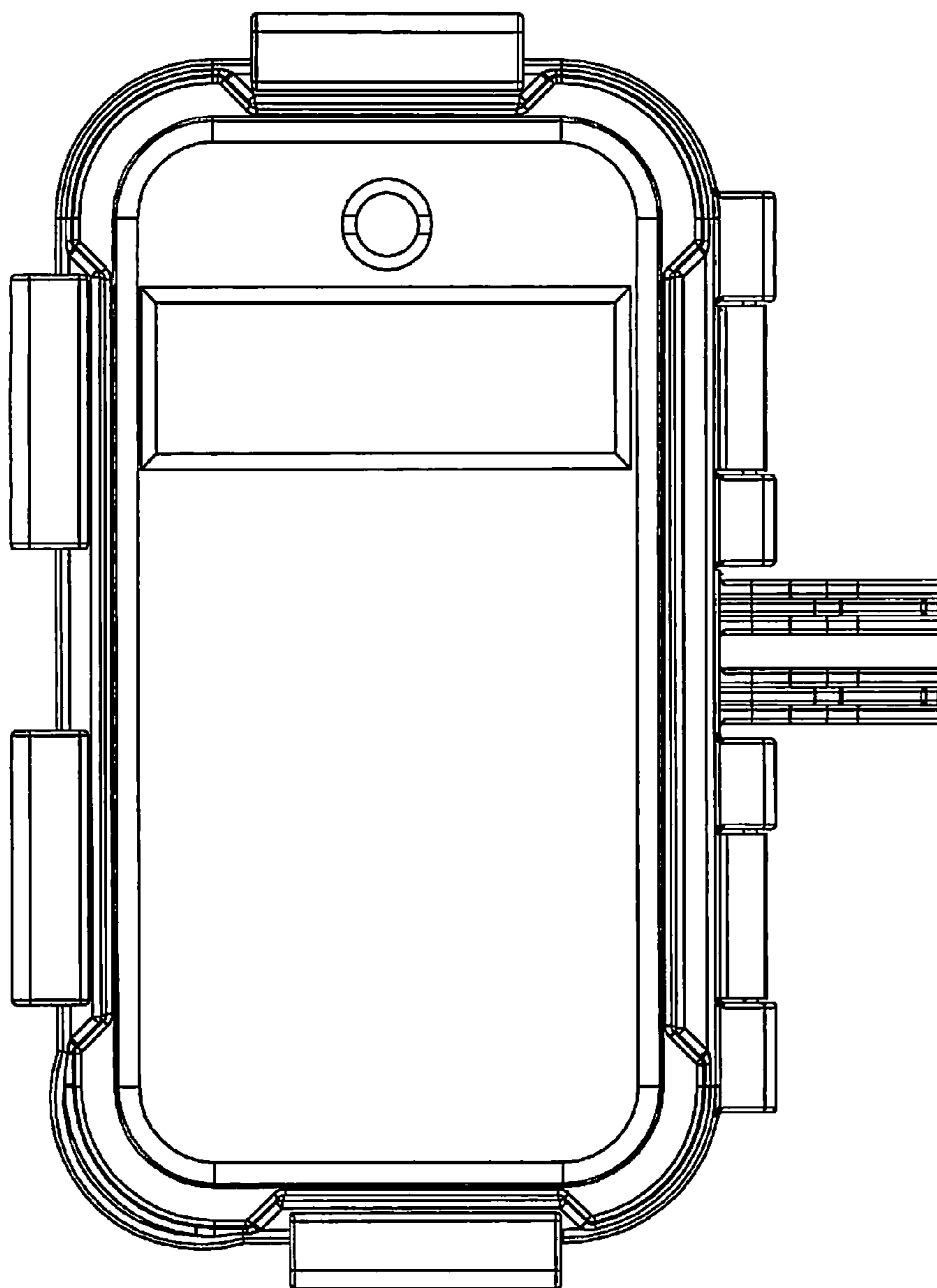


FIG. 3

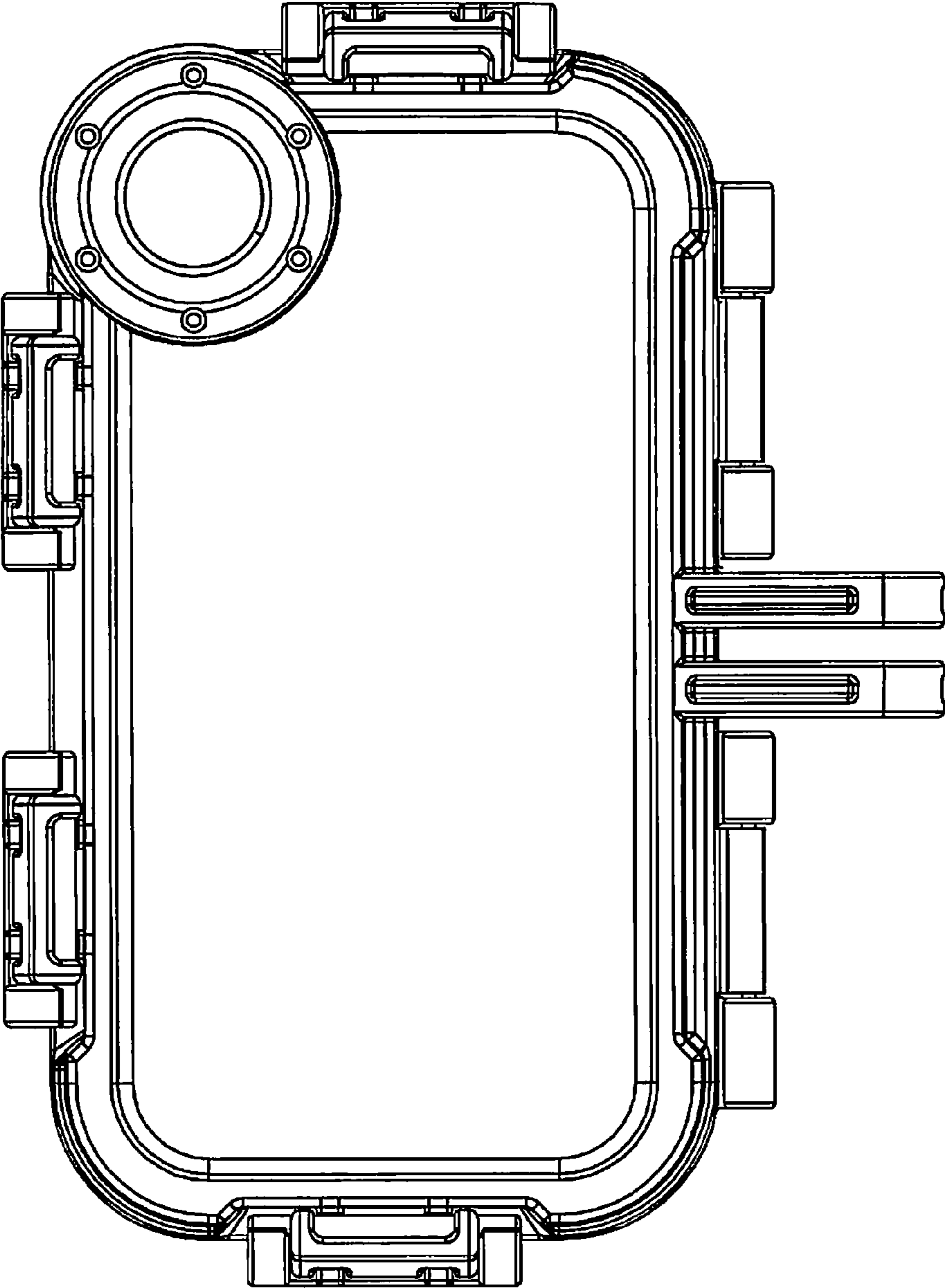


FIG. 4

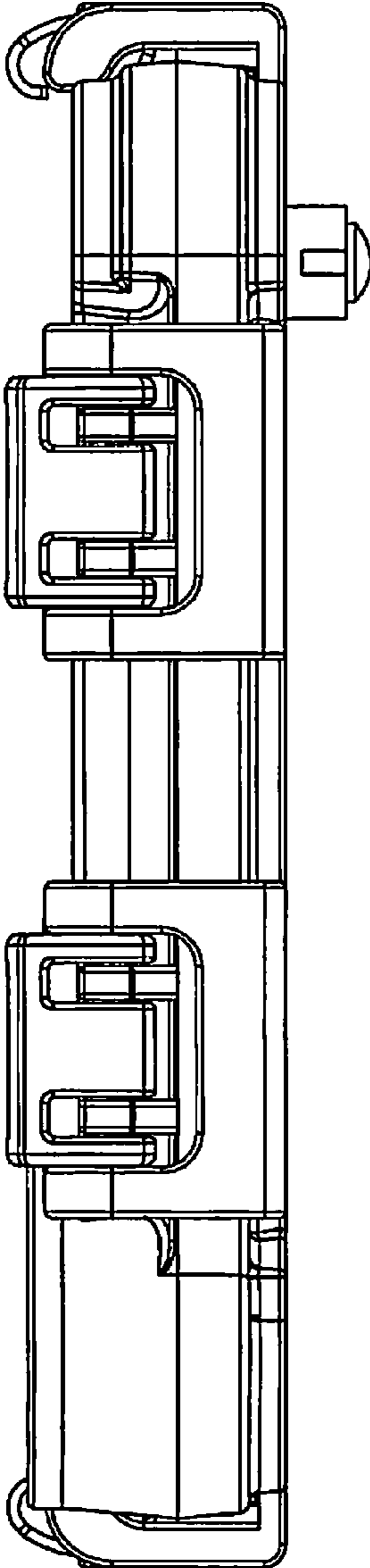


FIG. 5

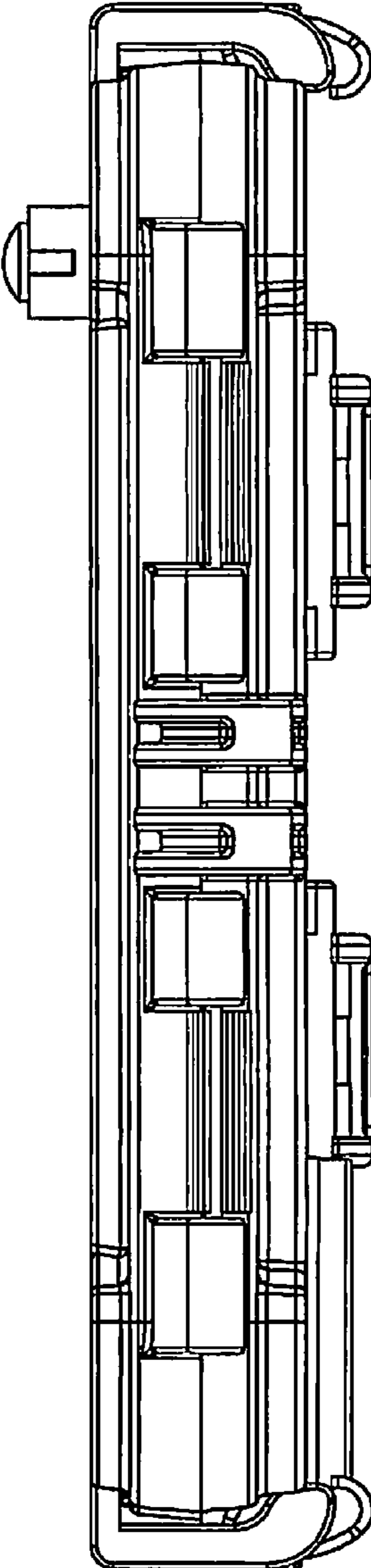


FIG. 6

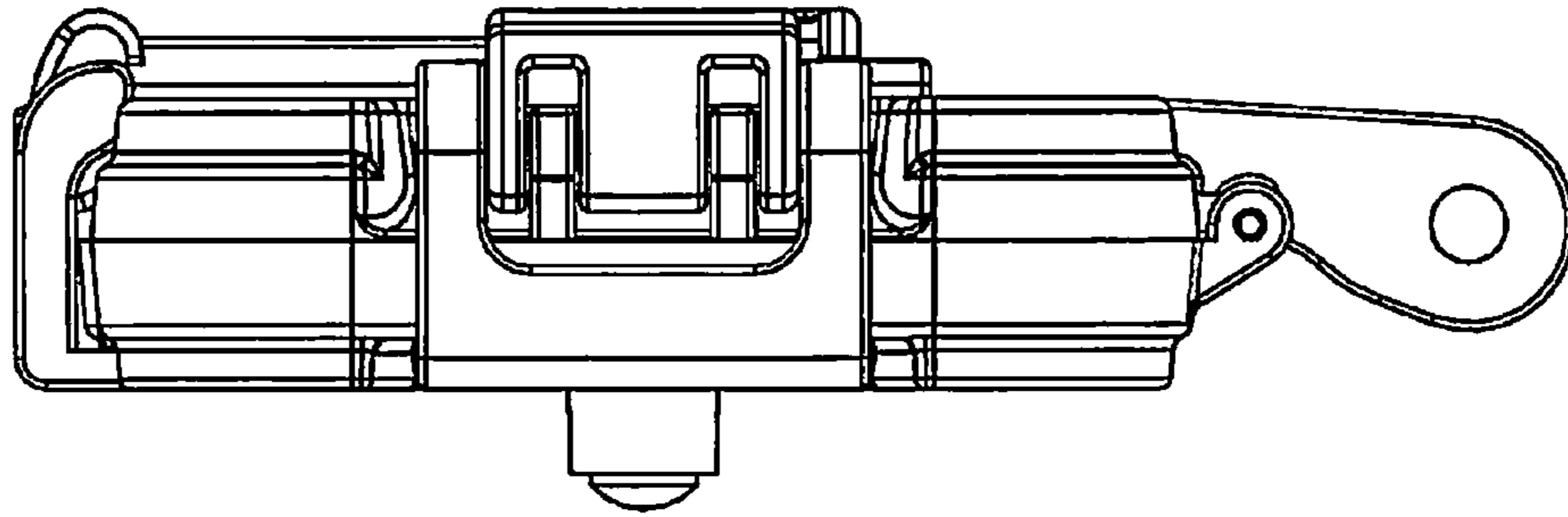


FIG. 7

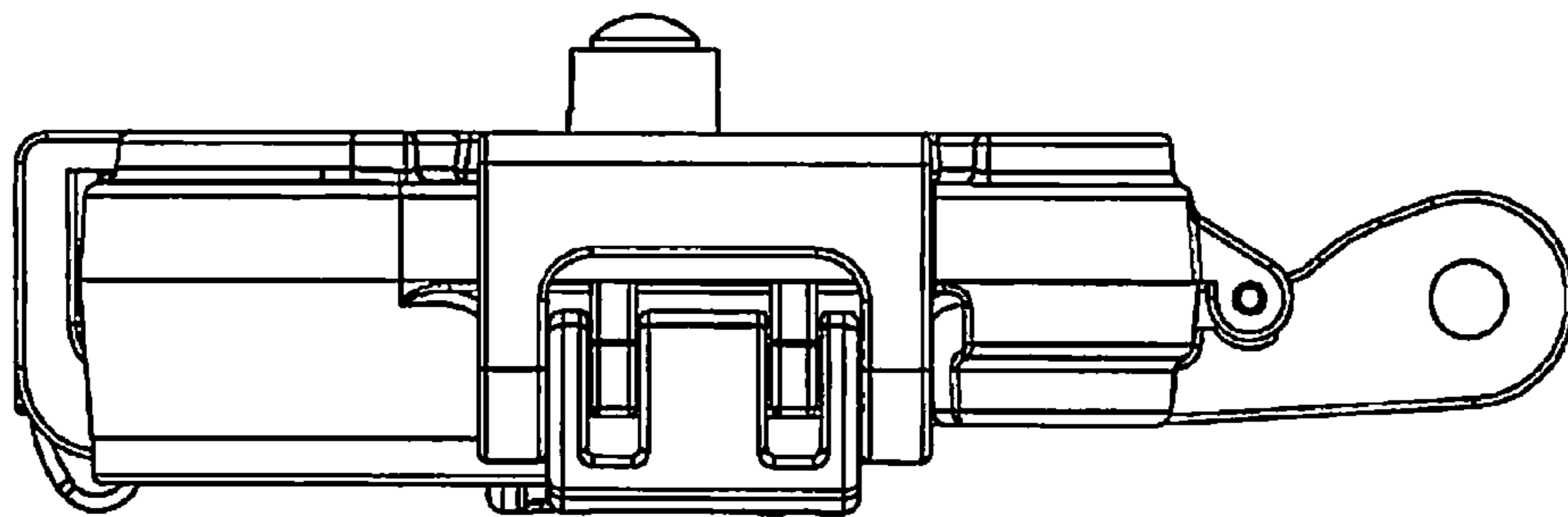


FIG. 8