



US00D728540S

(12) **United States Design Patent**  
**Inoue**

(10) **Patent No.:** **US D728,540 S**  
(45) **Date of Patent:** **\*\* May 5, 2015**

(54) **WIRELESS DATA TRANSCEIVER**

(56) **References Cited**

(71) Applicant: **NEC Display Solutions, Ltd.**, Tokyo  
(JP)

(72) Inventor: **Kazuya Inoue**, Tokyo (JP)

(73) Assignee: **NEC Display Solutions, Ltd.**, Tokyo  
(JP)

(\*\*) Term: **14 Years**

(21) Appl. No.: **29/461,346**

(22) Filed: **Jul. 22, 2013**

(30) **Foreign Application Priority Data**

Jan. 25, 2013 (JP) ..... 2013-001395

(51) **LOC (10) Cl.** ..... **14-03**

(52) **U.S. Cl.**  
USPC ..... **D14/240**

(58) **Field of Classification Search**  
CPC ..... H04L 12/00; H03K 17/00; H04W 88/00;  
H04W 88/005; H04W 88/02; H04W 88/08;  
H04W 88/085; H04W 88/10; H04W 88/12;  
H04W 88/14; H04B 1/38  
USPC ..... D14/242, 240, 357, 358, 140-140.9,  
D14/155, 137, 139, 243, 348, 349, 351, 354,  
D14/355; 375/222; 455/557; 725/111

See application file for complete search history.

U.S. PATENT DOCUMENTS

D268,783 S *	4/1983	Henshaw .....	D14/155
D366,878 S *	2/1996	Wakabayashi et al. ....	D14/242
D376,146 S *	12/1996	Totsch .....	D14/155
5,737,397 A *	4/1998	Skinner et al. ....	379/93.29
D484,497 S *	12/2003	Alviar et al. ....	D14/240
D491,563 S *	6/2004	Sato et al. ....	D14/433
D500,497 S *	1/2005	Yu et al. ....	D14/240
D519,922 S *	5/2006	Andre et al. ....	D13/110
D662,091 S *	6/2012	Loponen .....	D14/240
D663,266 S *	7/2012	Tien .....	D13/110
D683,721 S *	6/2013	Ho .....	D14/240
8,794,996 B1 *	8/2014	Matsuoka .....	439/501

\* cited by examiner

*Primary Examiner* — Bridget L Eland

(74) *Attorney, Agent, or Firm* — Sughrue Mion, PLLC

(57) **CLAIM**

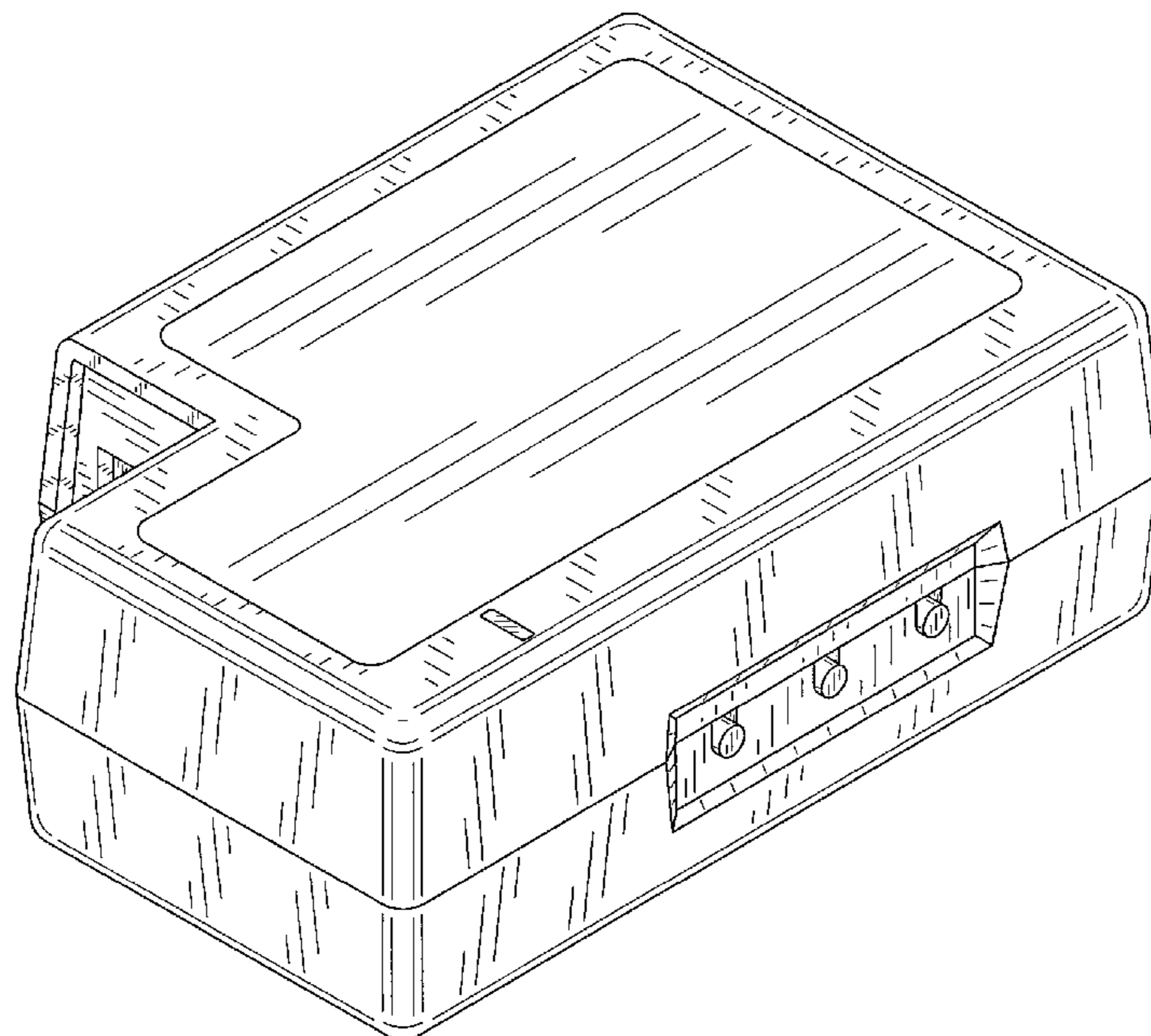
The ornamental design for a wireless data transceiver, as shown and described.

**DESCRIPTION**

FIG. 1 is a front, left side, bottom perspective view of a wireless data transceiver showing my new design; FIG. 2 is a rear, right side, top perspective view thereof; FIG. 3 is a front elevational view thereof; FIG. 4 is a rear elevational view thereof; FIG. 5 is a left side view thereof; FIG. 6 is a right side view thereof; FIG. 7 is a top plan view thereof; FIG. 8 is a bottom plan view thereof; and, FIG. 9 is a perspective view thereof, shown in an environment.

The broken lines are directed to environment and form no part of the claimed design.

**1 Claim, 9 Drawing Sheets**



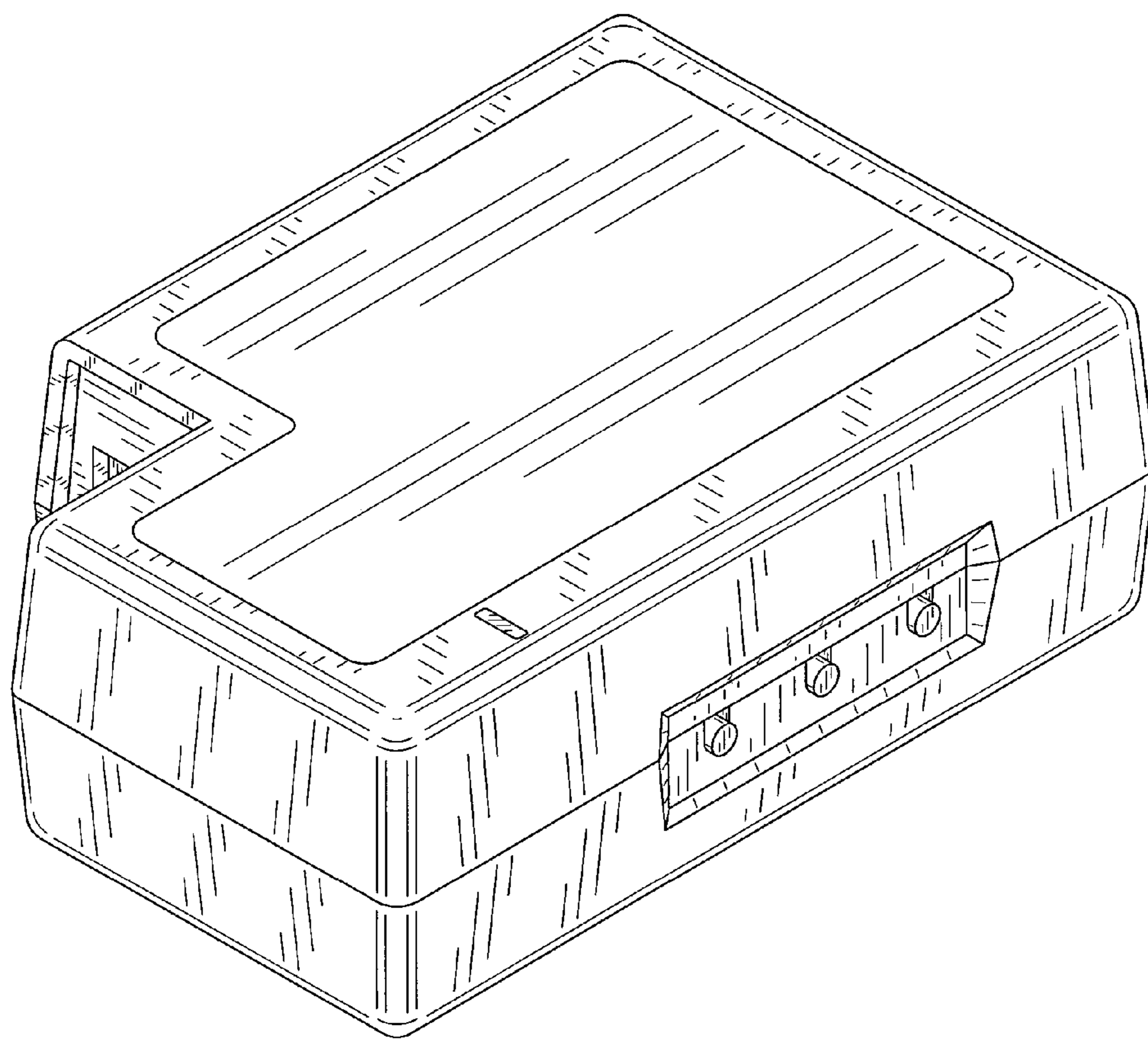


FIG. 1

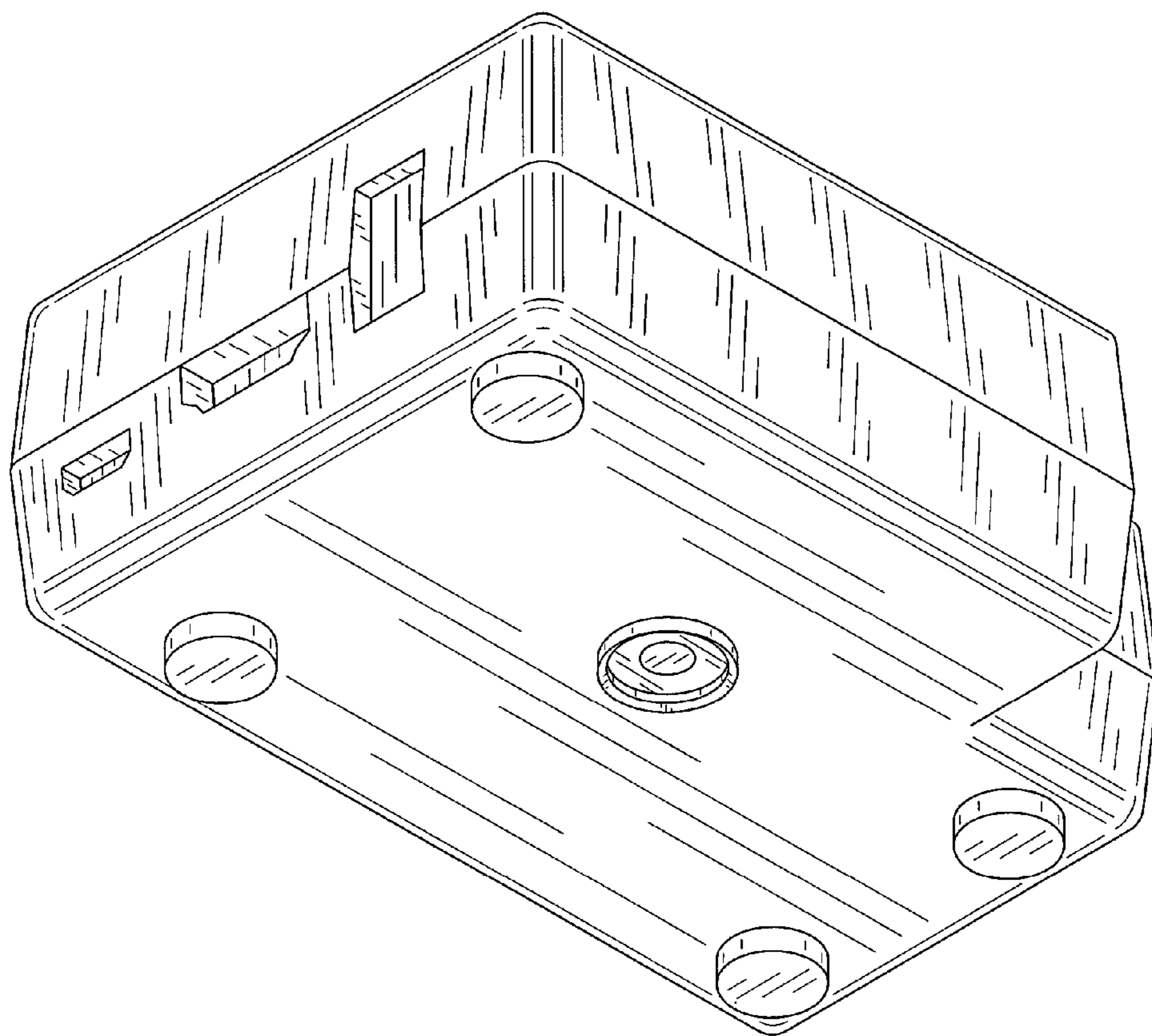


FIG. 2

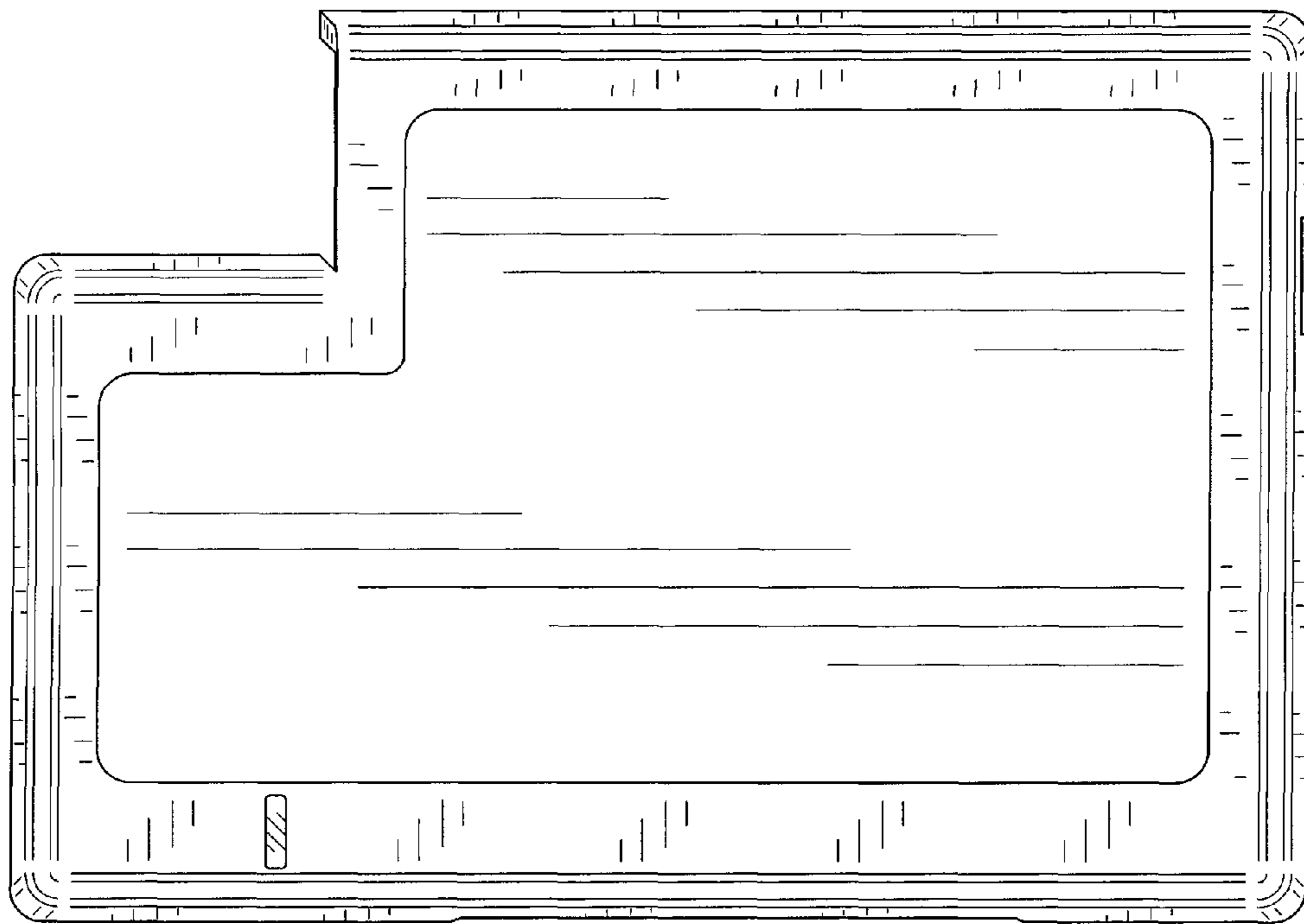


FIG. 3

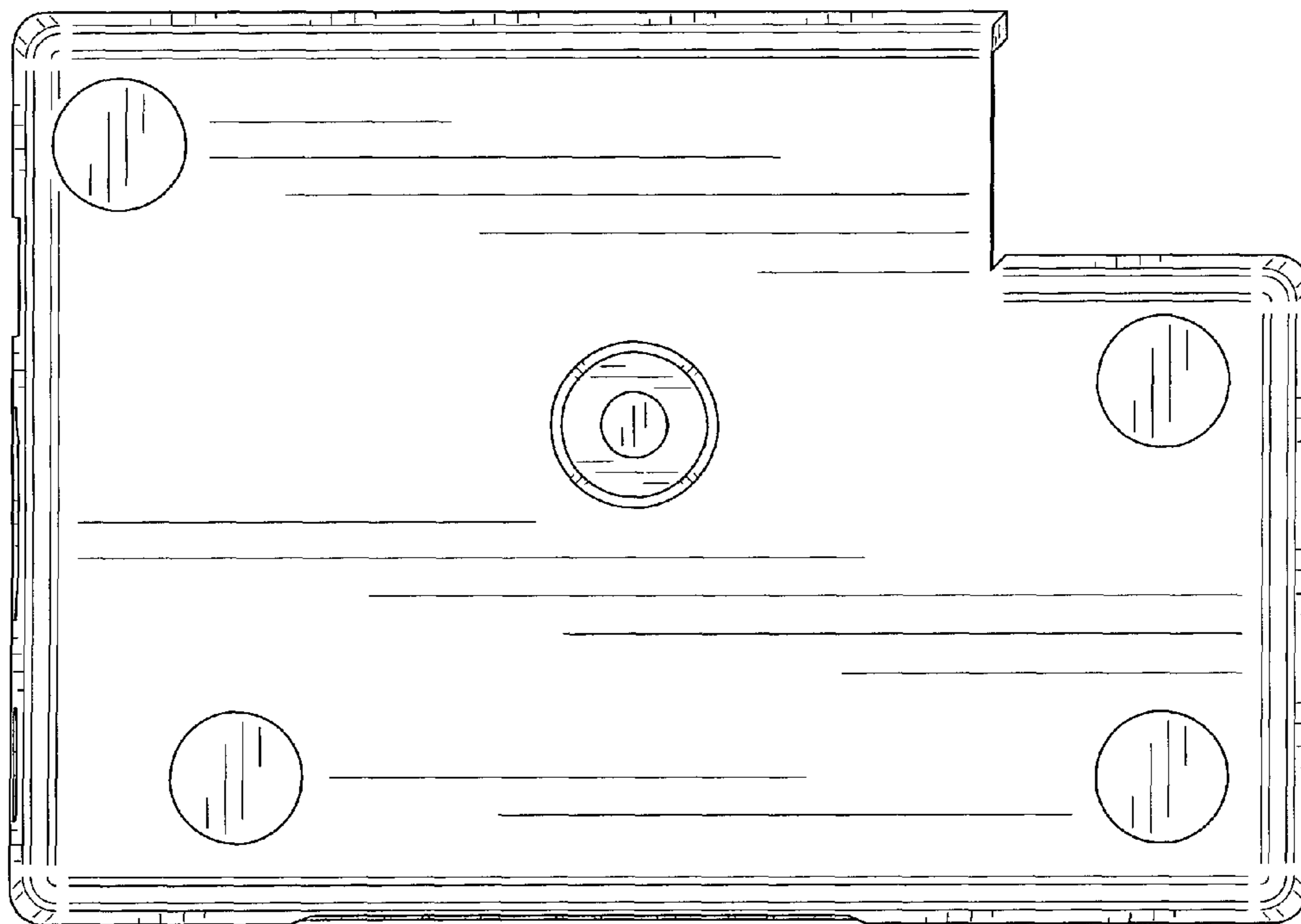


FIG. 4

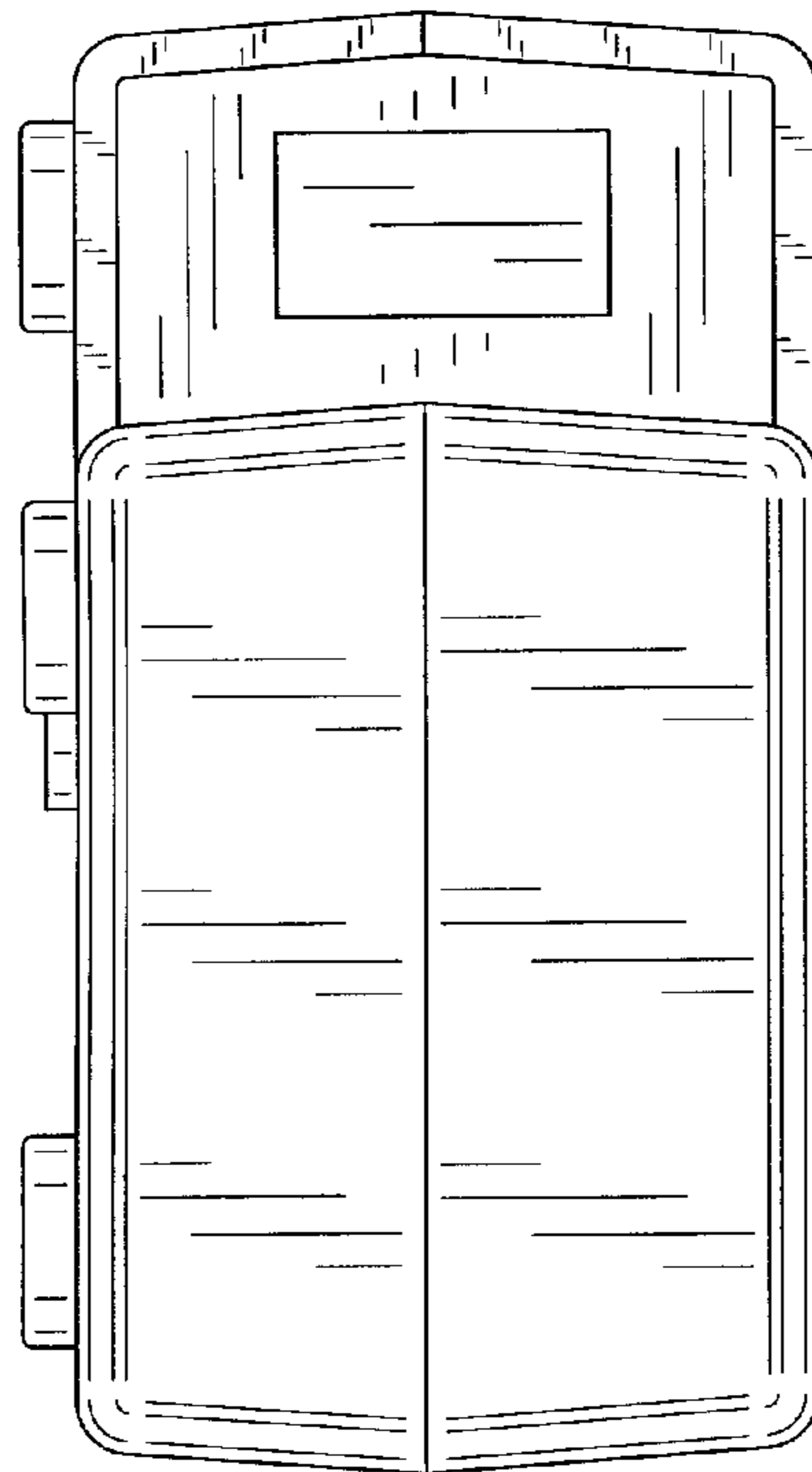


FIG. 5

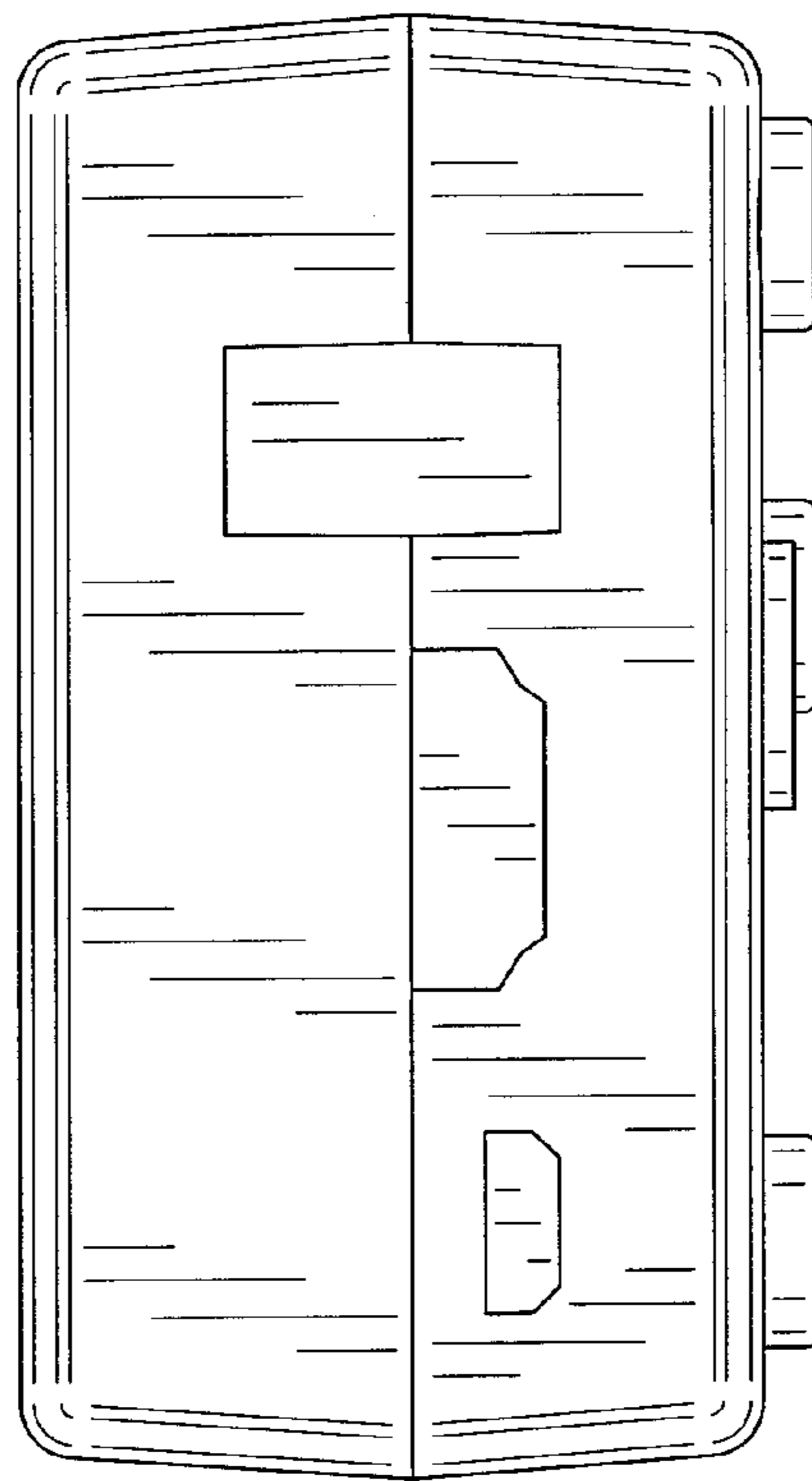


FIG. 6

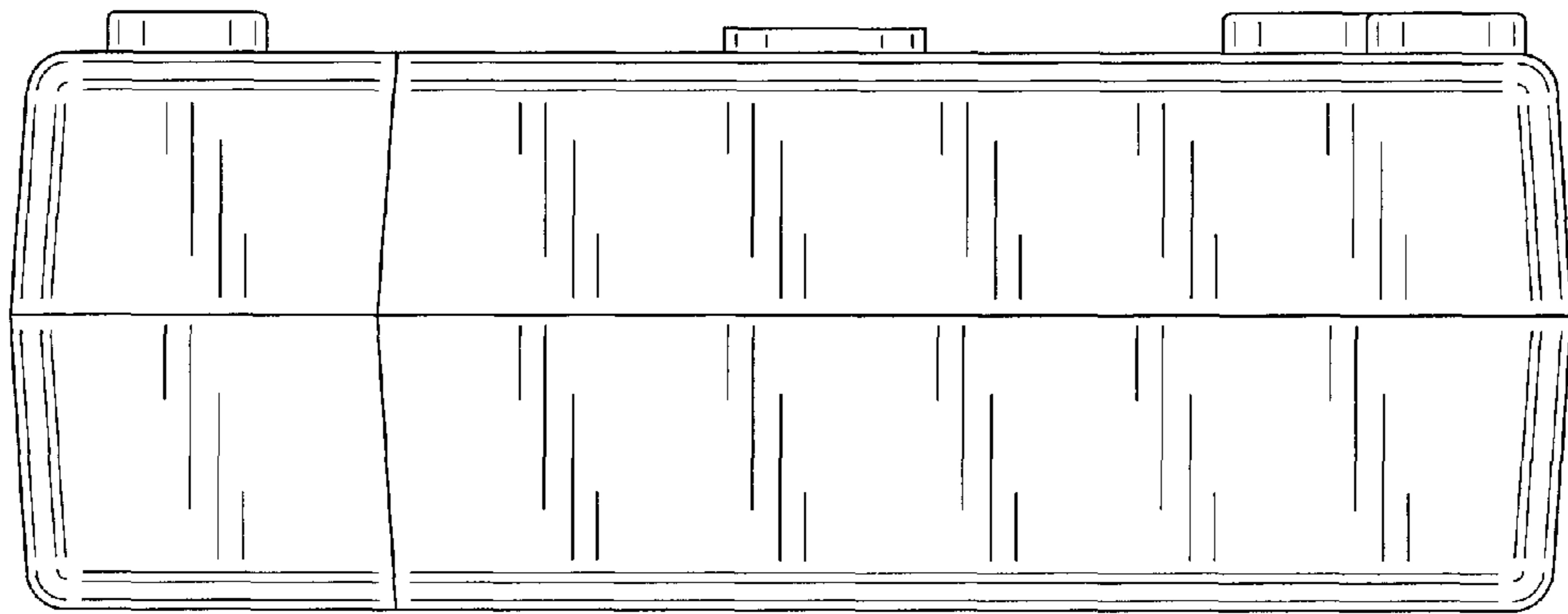


FIG. 7



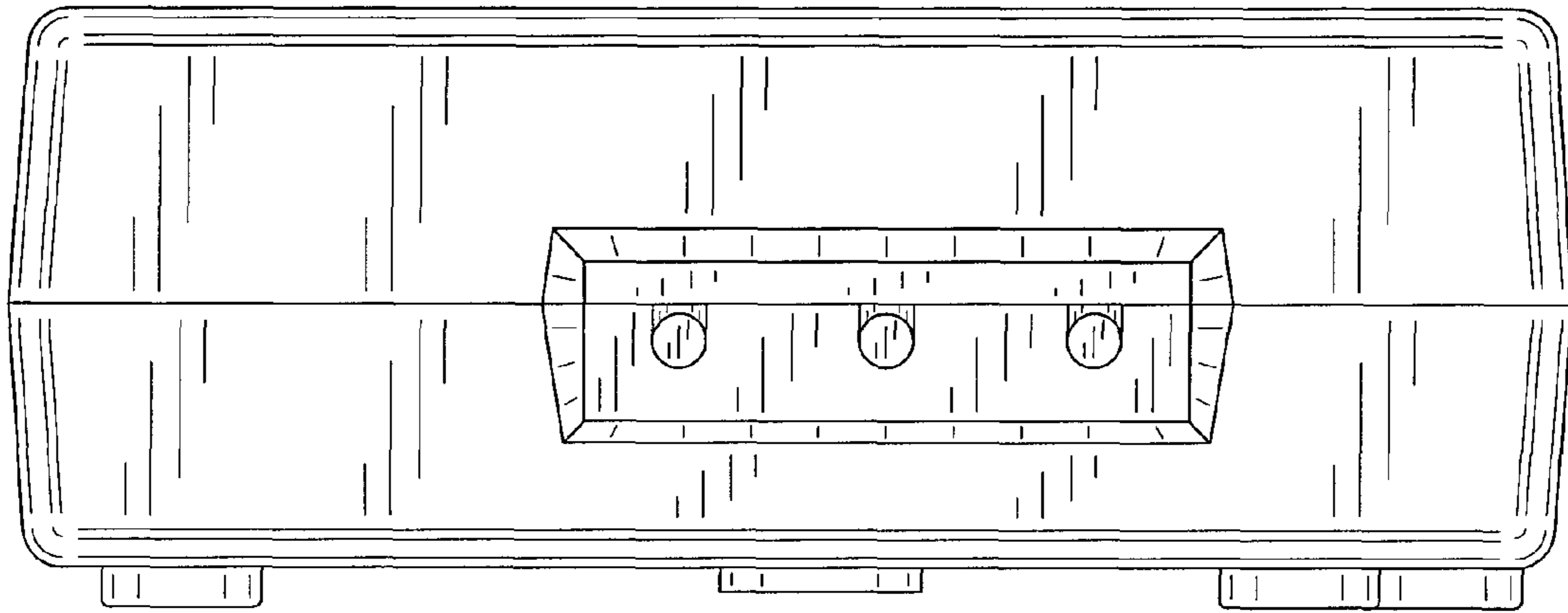


FIG. 8

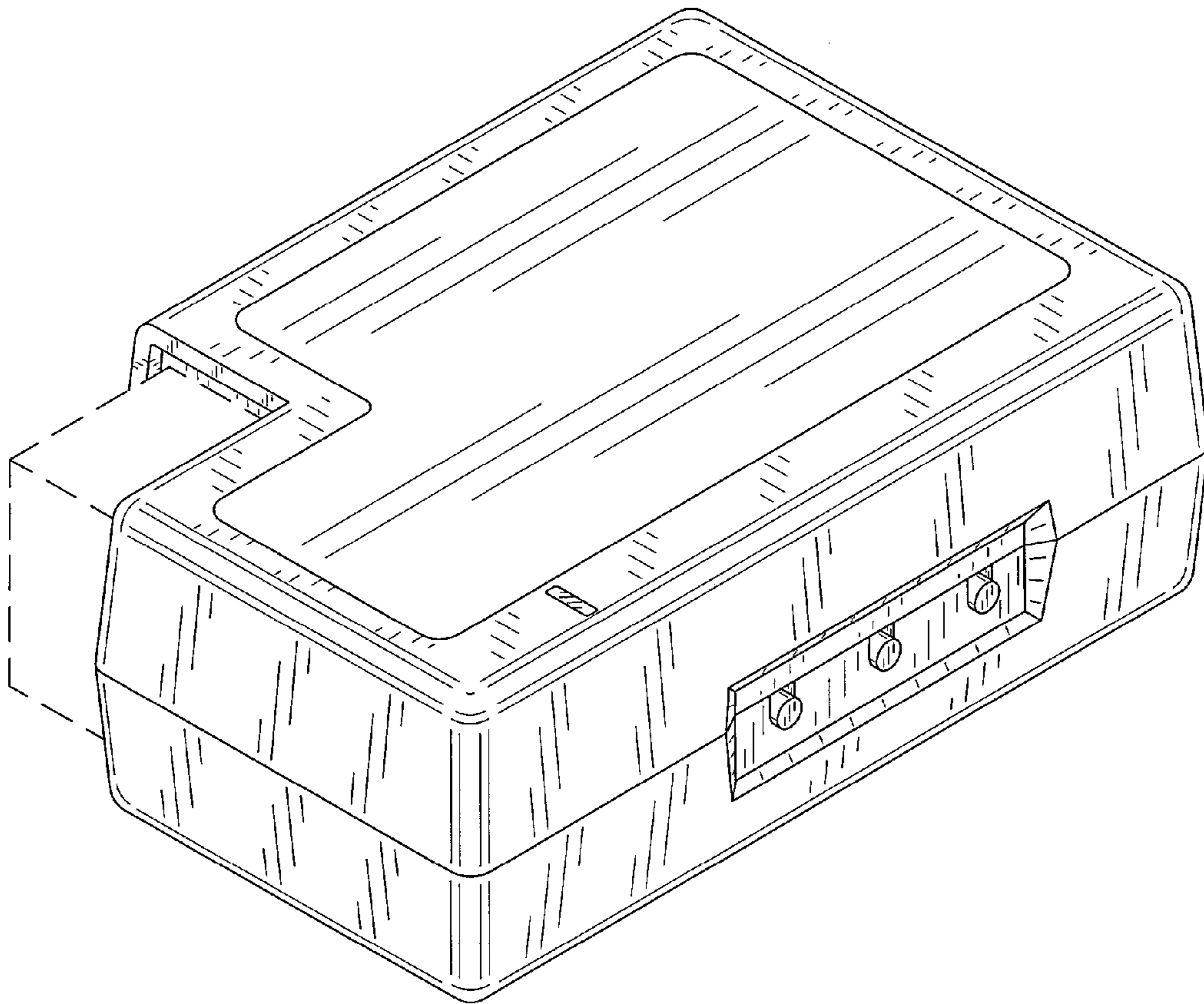


FIG. 9