



US00D728539S

(12) **United States Design Patent**
Dubrulle et al.

(10) **Patent No.:** **US D728,539 S**

(45) **Date of Patent:** **** May 5, 2015**

(54) **ROUTER**

FOREIGN PATENT DOCUMENTS

(75) Inventors: **Craig Donald Dubrulle**, Cary, NC (US);
Mahbubul Alam, San Jose, CA (US);
Hugo J. W. Vliegen, Menlo Park, CA
(US); **Chandrodaya Prasad**, Santa
Clara, CA (US)

CN 301545855 * 5/2011
CN 302535390 * 8/2013

(73) Assignee: **Cisco Technology, Inc.**, San Jose, CA
(US)

OTHER PUBLICATIONS

(**) Term: **14 Years**

(21) Appl. No.: **29/416,694**

(22) Filed: **Mar. 26, 2012**

(51) **LOC (10) Cl.** **14-02**

(52) **U.S. Cl.**
USPC **D14/240**; D14/358

(58) **Field of Classification Search**
CPC G10K 11/1788; G10K 2210/1282;
G10K 2210/112; G10K 2210/1081
USPC 361/679.08; 381/71-71.9; D13/103,
D13/110, 177; D14/125, 140.2, 149, 188,
D14/203.3, 231, 240, 256, 356-365, 435,
D14/440

Verizon Westell 7501 Wireless-G Broadband Router. [online]. Toy Store Inc, 2013 [retrieved on Dec. 30, 2013]. Retrieved from the Internet: <URL: <http://www.toystoreinc.com/servlet/the-19209/Verizon-Westell-7501-Wireless-dsh-G/Detail>>.*
Moovbos M220 Mobile Broadband Gateway, In-Vehicle Cellular Router & Wi-Fi Access Point, Icomera brochure, 2 Pages, 2010.
Lancom OAP-54-1 Wireless, Lancom Systems, Brochure, 8 Pages, 2012.
Persistent Communication For Mission Critical Application, SIERRA Wireless, Brochure, 2 Pages, 2010.
3G Wireless N300 VoIP Router, NetComm, Brochure, 2 Pages, 2012.
3G WiFi Router, NetComm, Brochure, 2 Pages, 2012.

(Continued)

Primary Examiner — Deanna L Pratt
(74) *Attorney, Agent, or Firm* — Patterson + Sheridan, LLP

(57) **CLAIM**
The ornamental design for a router, as shown and described.

DESCRIPTION

See application file for complete search history.

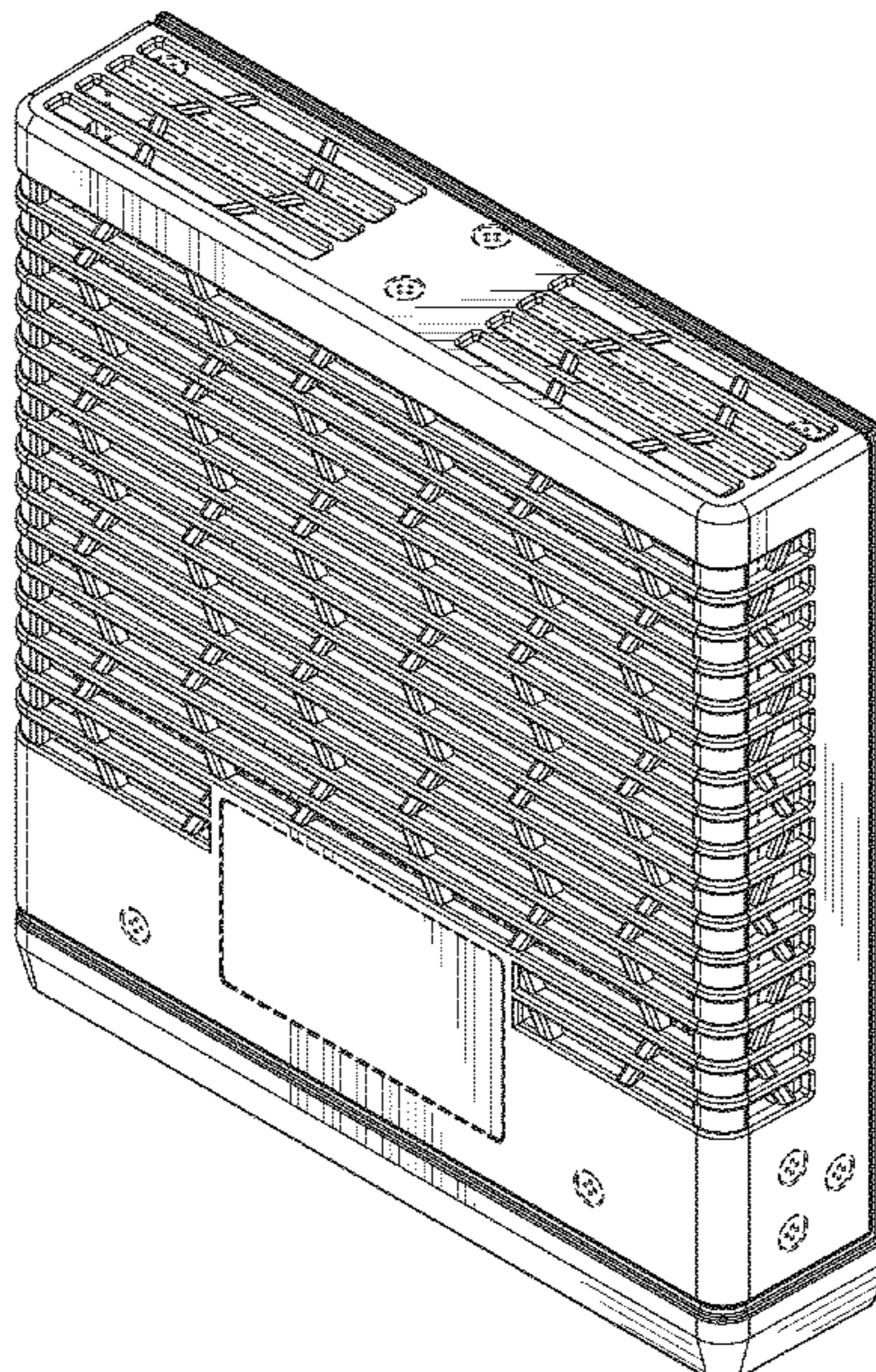
(56) **References Cited**

U.S. PATENT DOCUMENTS

D272,342 S *	1/1984	Cheng	D14/435
D411,185 S *	6/1999	Isshiki	D14/358
D486,479 S *	2/2004	Chung	D14/240
D494,588 S *	8/2004	Shang et al.	D14/363
D541,792 S *	5/2007	Liu et al.	D14/240
D550,172 S *	9/2007	Aguilar	D13/184
D562,814 S *	2/2008	Liu et al.	D14/240
D654,066 S *	2/2012	Yi et al.	D14/240
2009/0195976 A1 *	8/2009	Chang	361/679.34

FIG. 1 is a front perspective view of a first embodiment of a router showing our new design;
FIG. 2 is a front elevational view thereof;
FIG. 3 is a right side elevational view thereof;
FIG. 4 is a left side elevational view thereof;
FIG. 5 is a top plan view thereof;
FIG. 6 is a bottom plan view thereof; and,
FIG. 7 is a rear elevational view thereof.
The broken line portions illustrate environmental structure and form no part of the claimed design.

1 Claim, 5 Drawing Sheets



(56)

References Cited

OTHER PUBLICATIONS

Teldat H1-Automotive, Rugged 3G router for Broadband-to-the-vehicle Services, Teldat, Teldat H1-Automotive Datasheet v2.9 © Teldat, S.A., 6 Pages, 2012.

Digi X-Trak® 3, Wireless Tracking and OBD-II Telematics Gateway, Digi, Brochure, 2 Pages, 2011.

ONEcell35, 3.5G Business Access Router For Mobile and Backup Applications, OneAccess Networks, Brochure, 2 Pages, 2012.

* cited by examiner

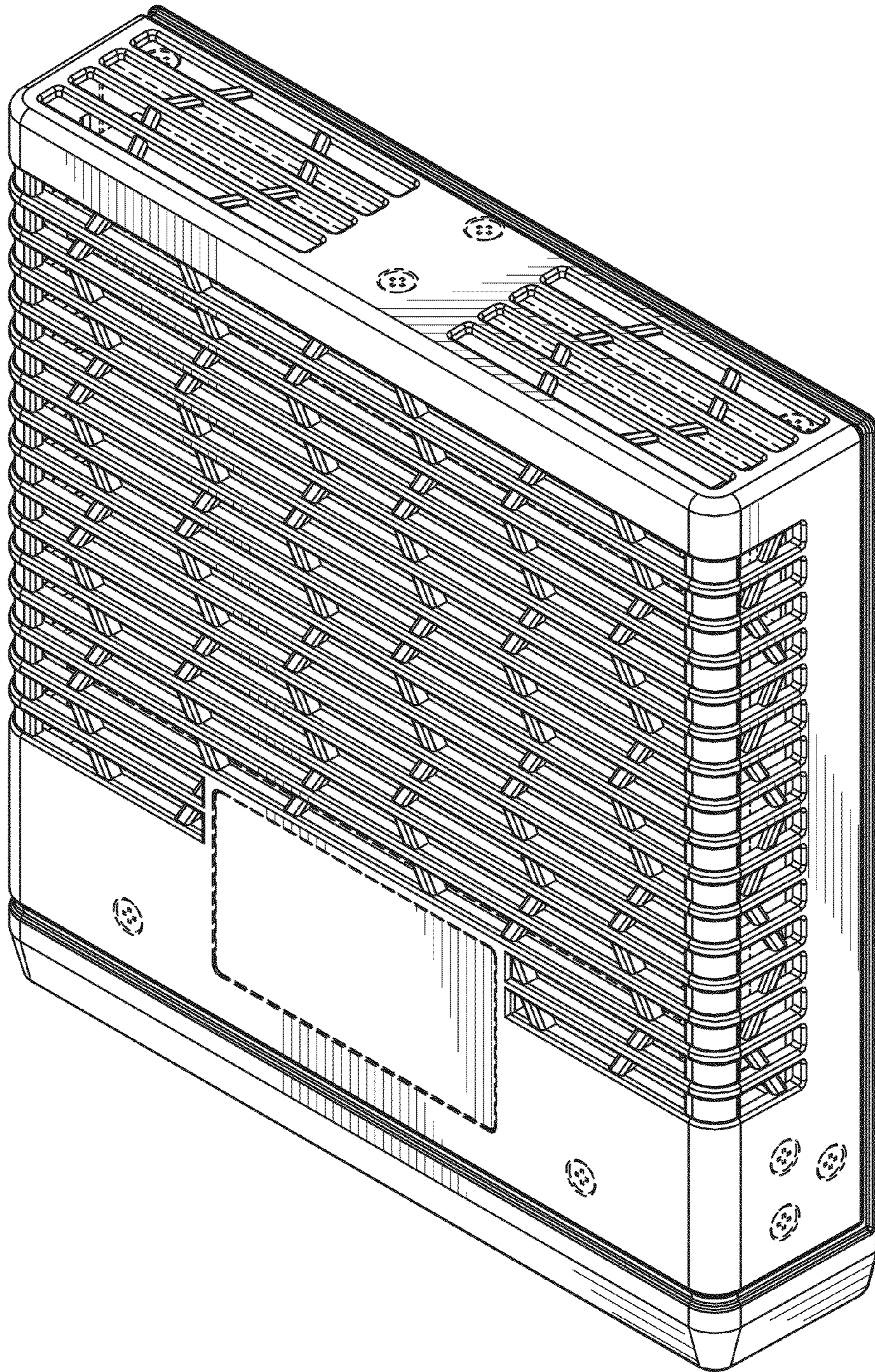


Fig. 1

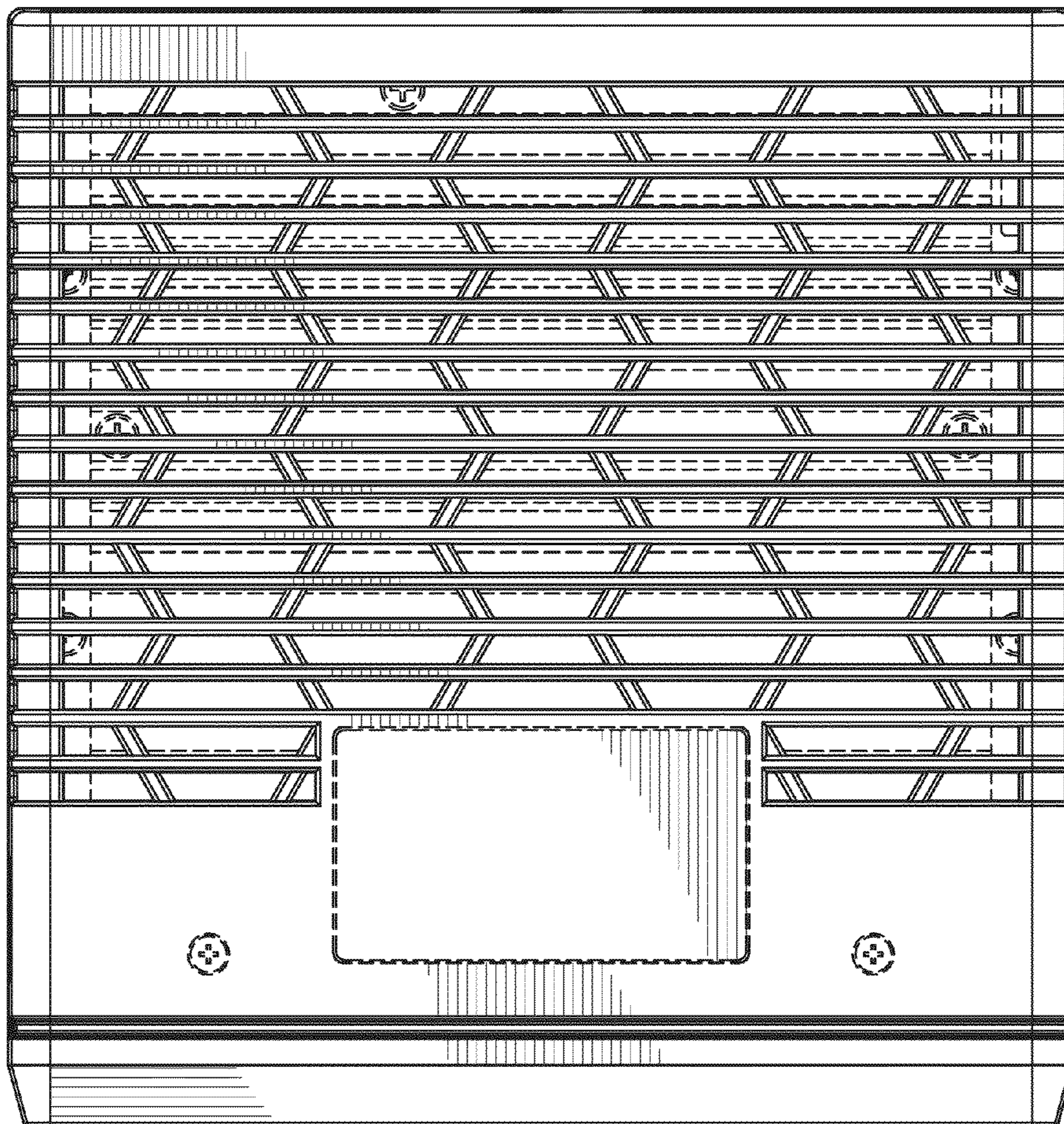


Fig. 2

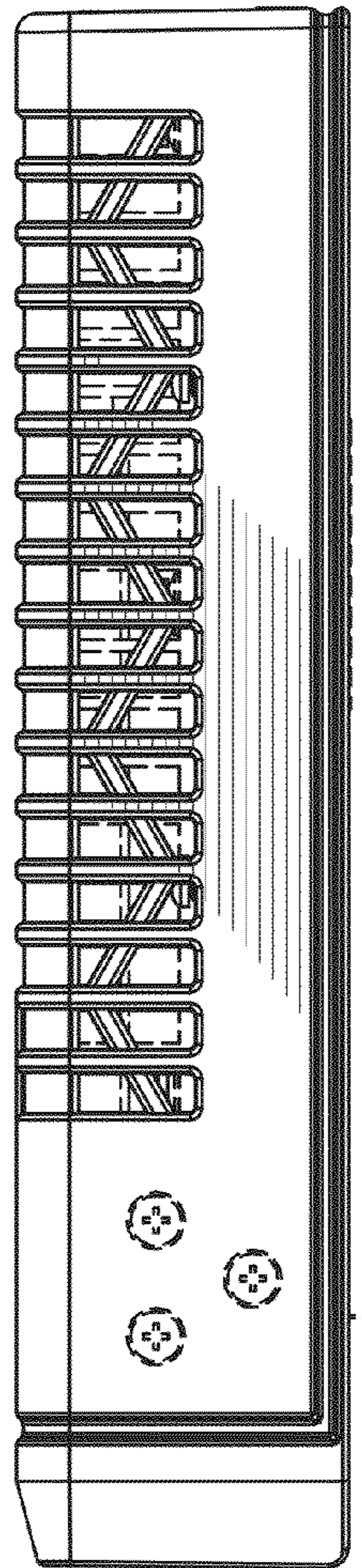


Fig. 3

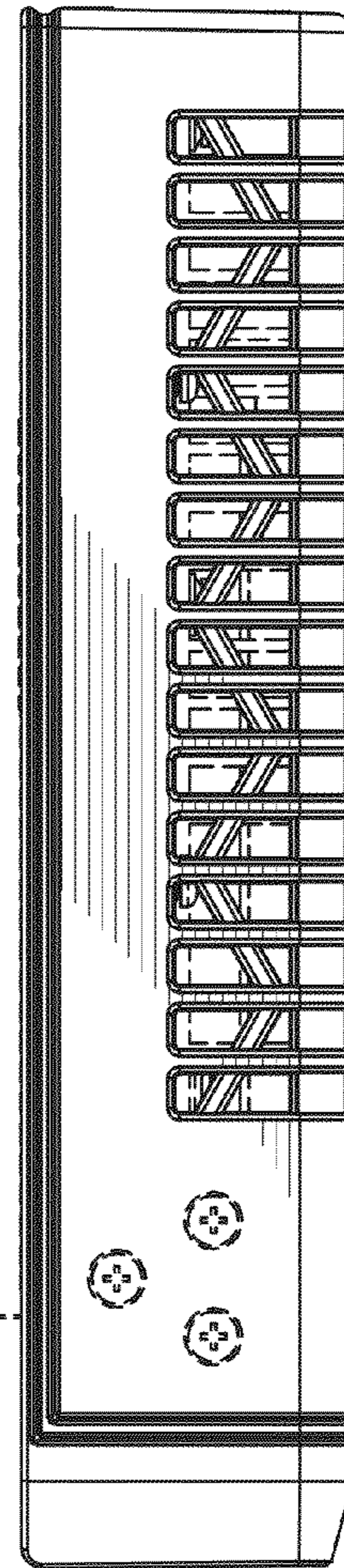


Fig. 4

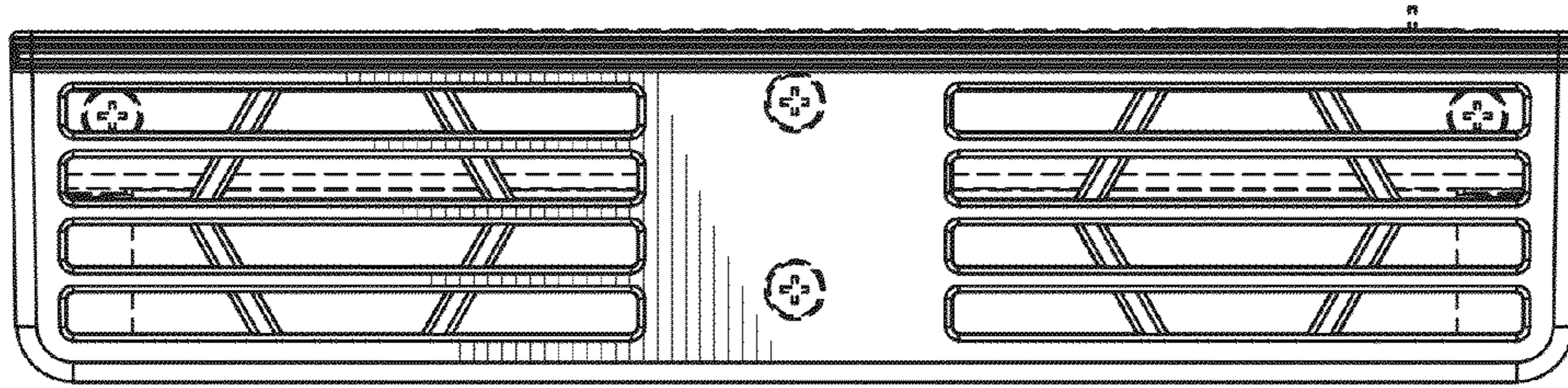


Fig. 5

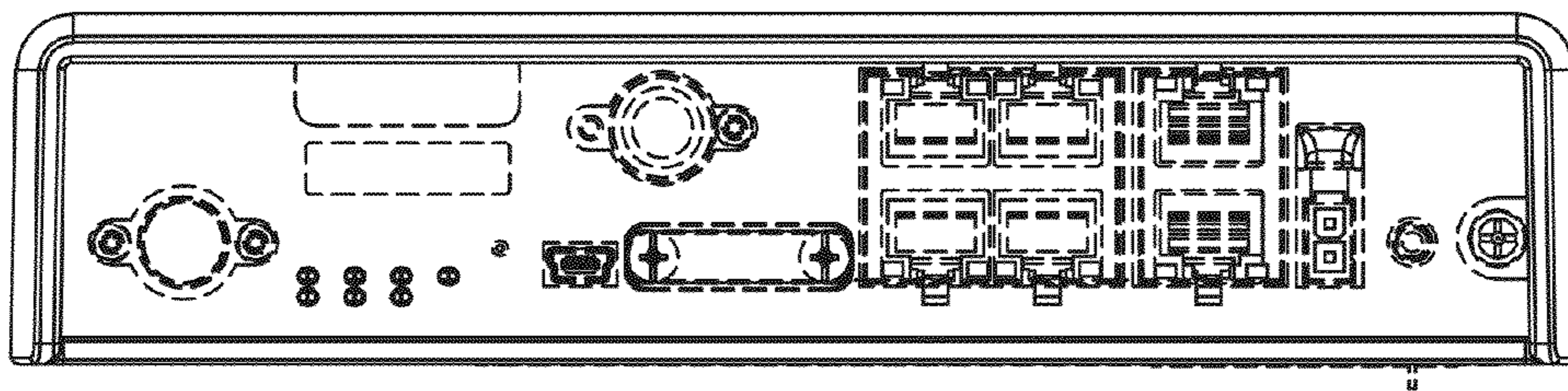


Fig. 6

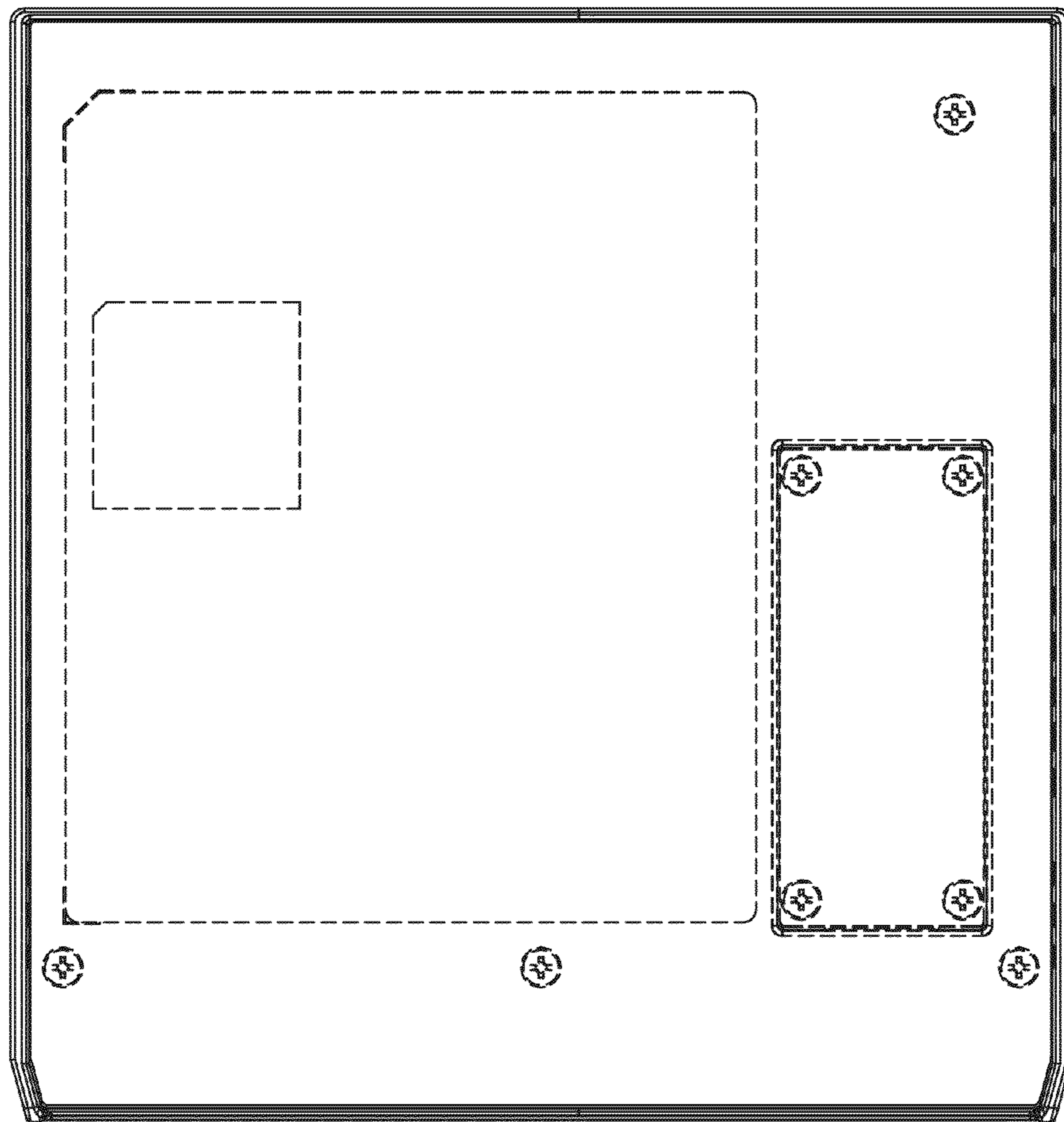


Fig. 7