



US00D728537S

(12) **United States Design Patent**
Choi

(10) **Patent No.:** **US D728,537 S**

(45) **Date of Patent:** **** May 5, 2015**

(54) **STAND FOR TELEVISION RECEIVER**

(71) Applicant: **Samsung Electronics Co., Ltd.**,
Suwon-si, Gyeonggi-do (KR)

(72) Inventor: **Su-An Choi**, Seoul (KR)

(73) Assignee: **Samsung Electronics Co., Ltd.** (KR)

(**) Term: **14 Years**

(21) Appl. No.: **29/495,510**

(22) Filed: **Jul. 1, 2014**

(30) **Foreign Application Priority Data**

Jan. 14, 2014 (KR) 30-2014-0002165

(51) **LOC (10) Cl.** **14-03**

(52) **U.S. Cl.**
USPC **D14/239**

(58) **Field of Classification Search**
USPC D14/239, 211, 238, 251, 253, 371-382,
D14/125-129, 336, 337, 447, 448, 451, 452,
D14/492, 450; 341/12; 345/104, 156, 168,
345/173; 348/180, 184, 325, 739; 349/1, 2,
349/11, 62; 361/679.05-679.07, 679.21;
D6/300, 310-313, 308, 708

See application file for complete search history.

(56) **References Cited**

U.S. PATENT DOCUMENTS

D548,229 S * 8/2007 Tanigawa et al. D14/239
D562,811 S * 2/2008 Asanuma et al. D14/239
D566,066 S * 4/2008 Wang D14/126

D571,744 S * 6/2008 Wang D14/126
D649,950 S * 12/2011 Chiu D14/126
D661,672 S * 6/2012 Kim D14/126
D675,175 S * 1/2013 Kim et al. D14/126
D681,614 S * 5/2013 Masui D14/239
D683,709 S * 6/2013 Choi D14/126
D691,102 S * 10/2013 Park et al. D14/126
D695,700 S * 12/2013 Seong D14/126
D698,325 S * 1/2014 Kim et al. D14/126
D699,713 S * 2/2014 Seong D14/239

* cited by examiner

Primary Examiner — Randall Gholson

(74) *Attorney, Agent, or Firm* — Cantor Colburn LLP

(57) **CLAIM**

I claim, the ornamental design for a stand for television receiver, as shown and described.

DESCRIPTION

FIG. 1 is a front perspective view of a stand for television receiver showing my new design;
FIG. 2 is a front view thereof;
FIG. 3 is a rear view thereof;
FIG. 4 is a side view thereof;
FIG. 5 is another side view thereof;
FIG. 6 is a top plan view thereof;
FIG. 7 is a bottom plan view thereof; and,
FIG. 8 is another perspective view thereof, showing an unclaimed television receiver in broken lines.
The broken lines shown in the drawings show unclaimed environmental matter only and form no part of the claimed design.

1 Claim, 8 Drawing Sheets

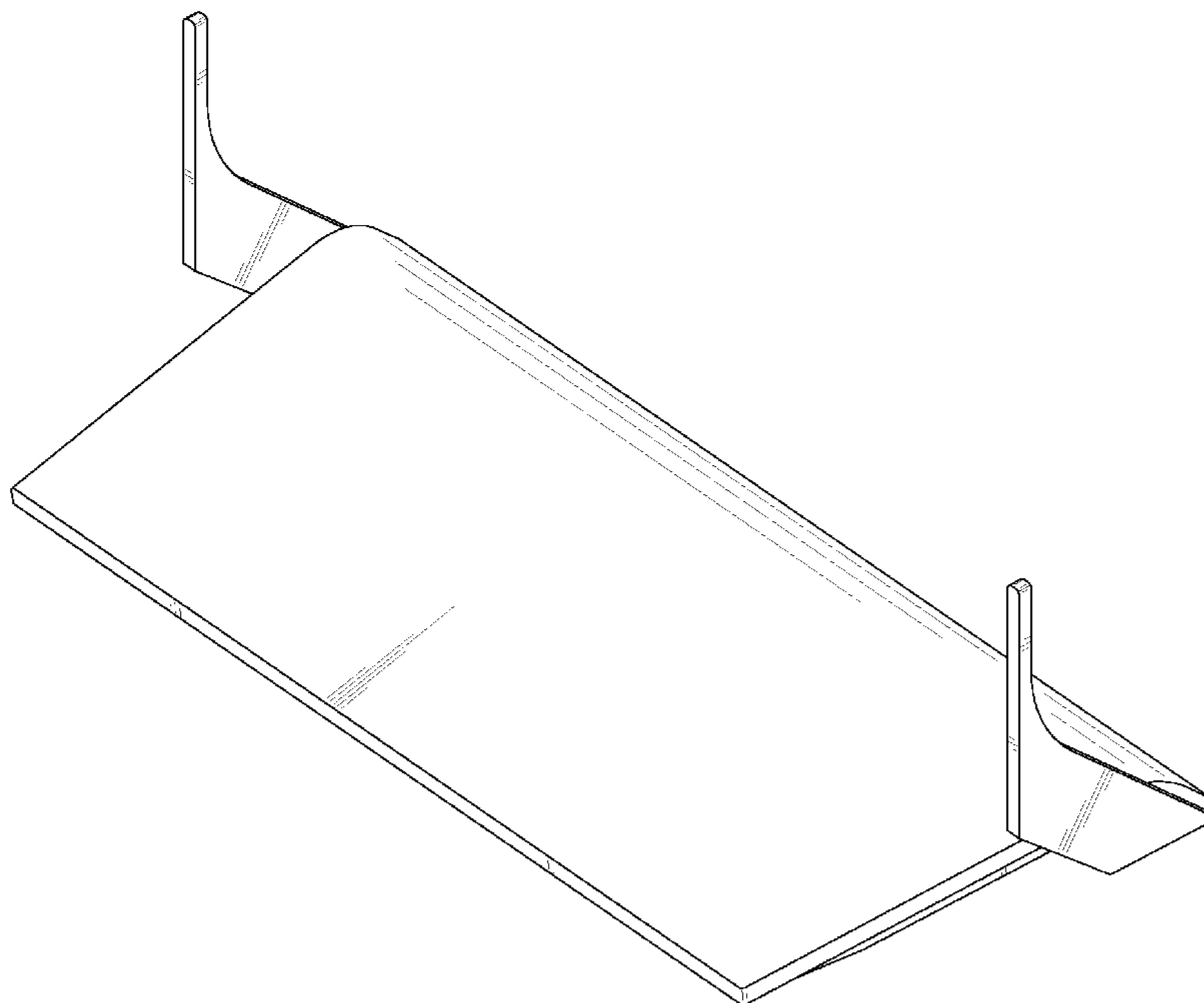


FIG. 1

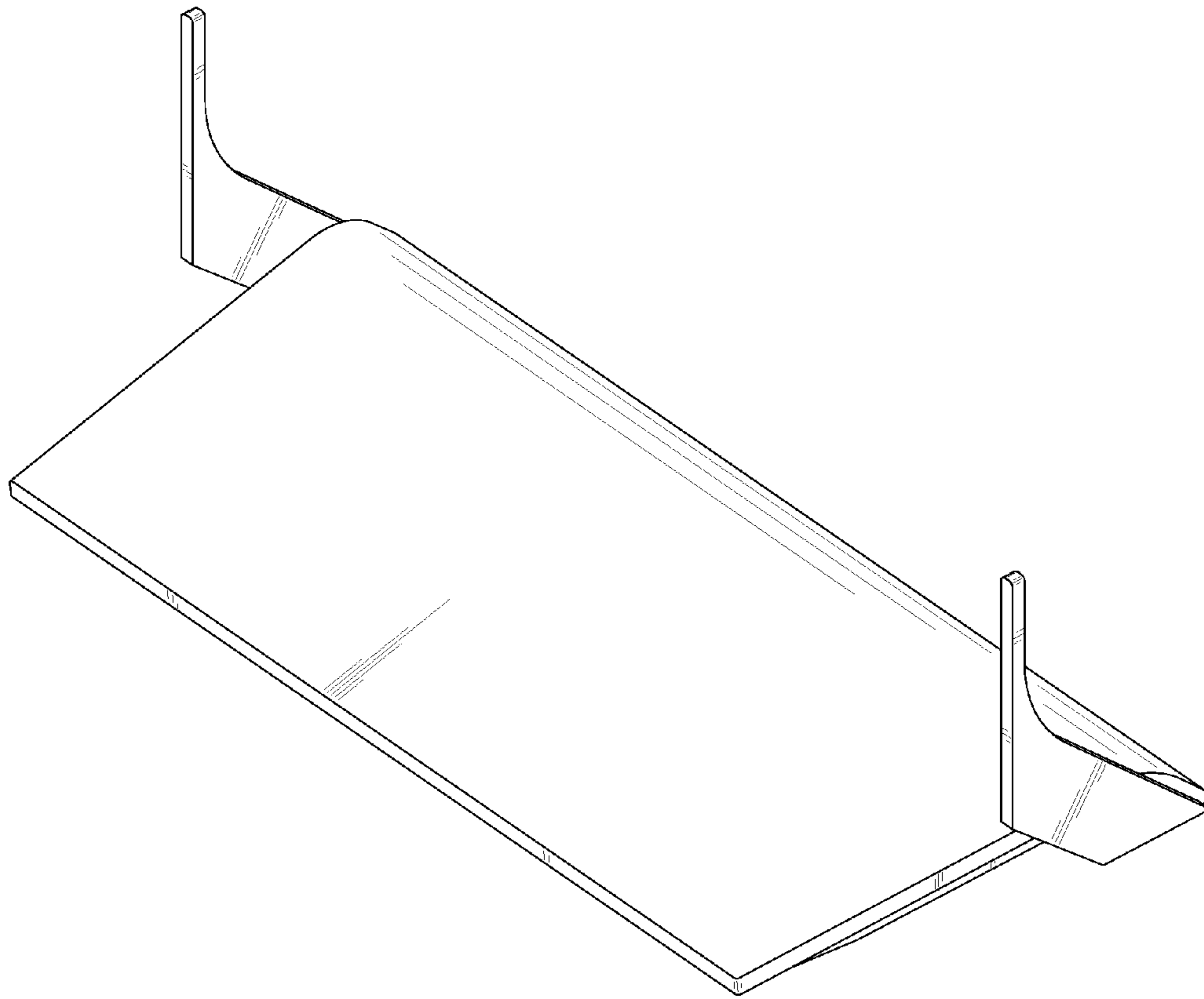


FIG. 2

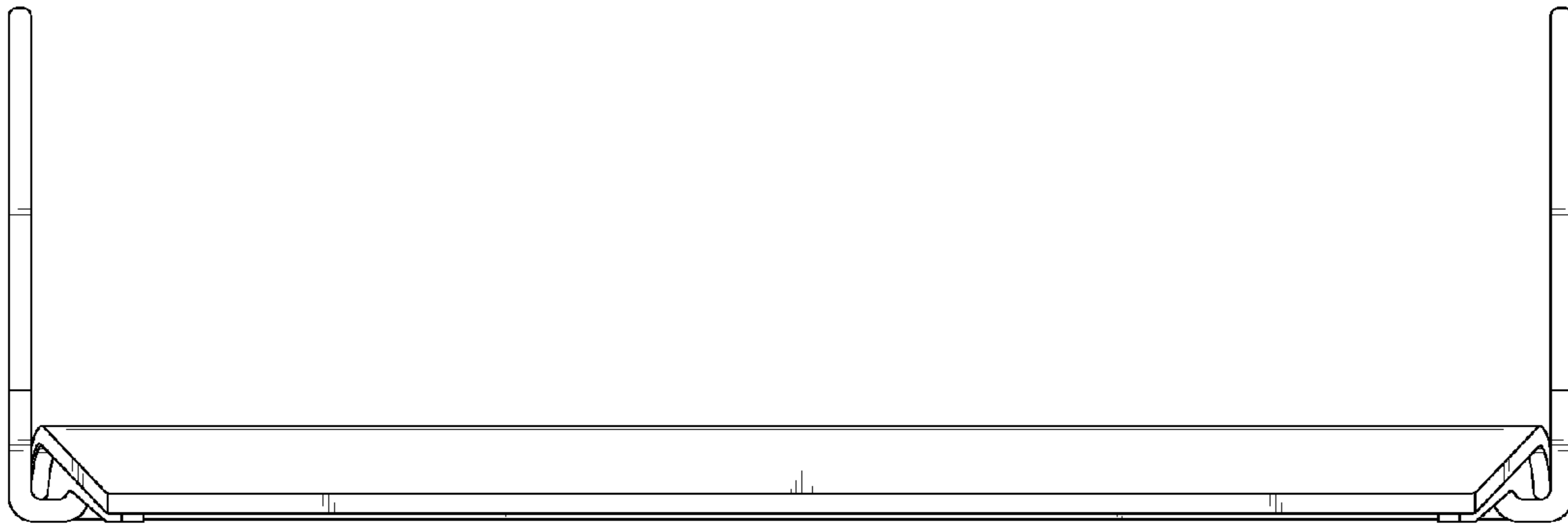


FIG. 3

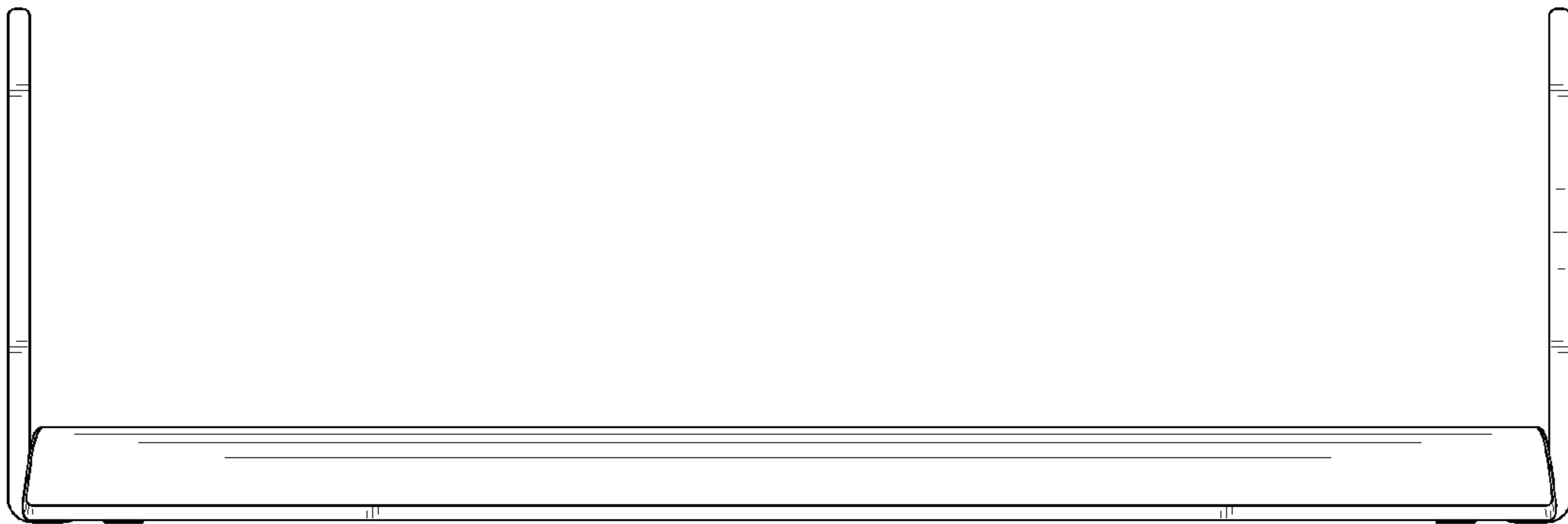


FIG. 4

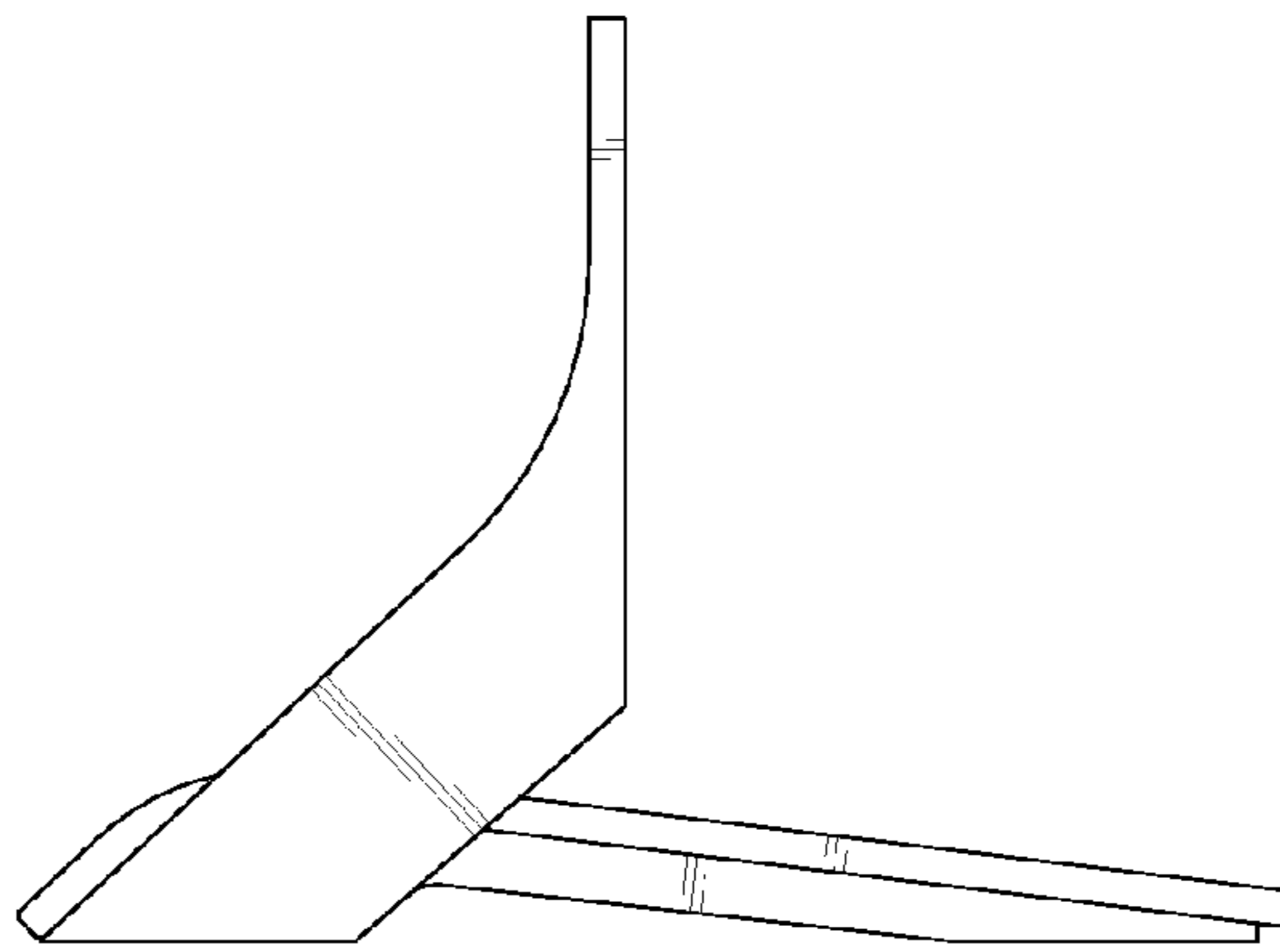


FIG. 5

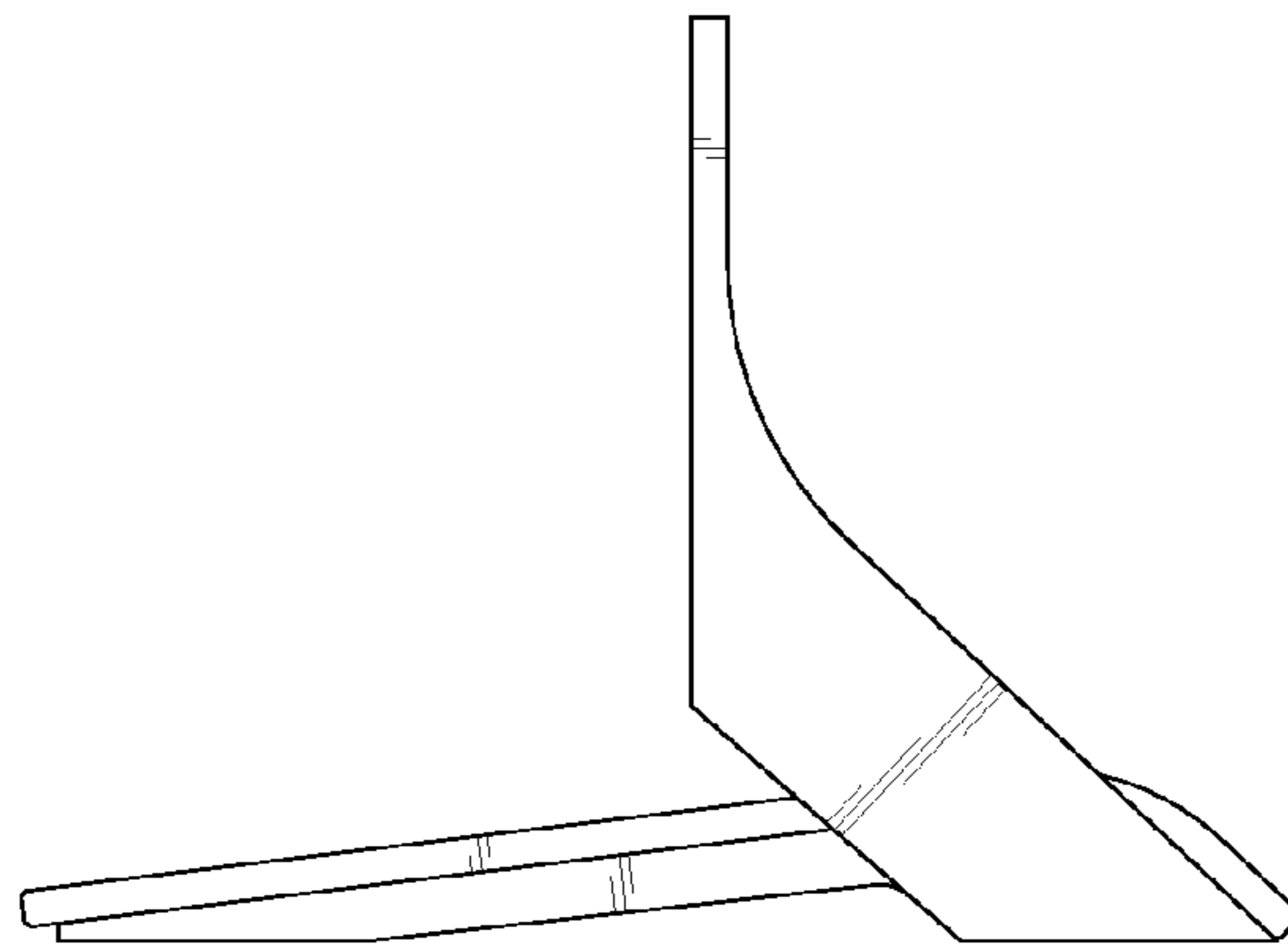


FIG.6



FIG. 7

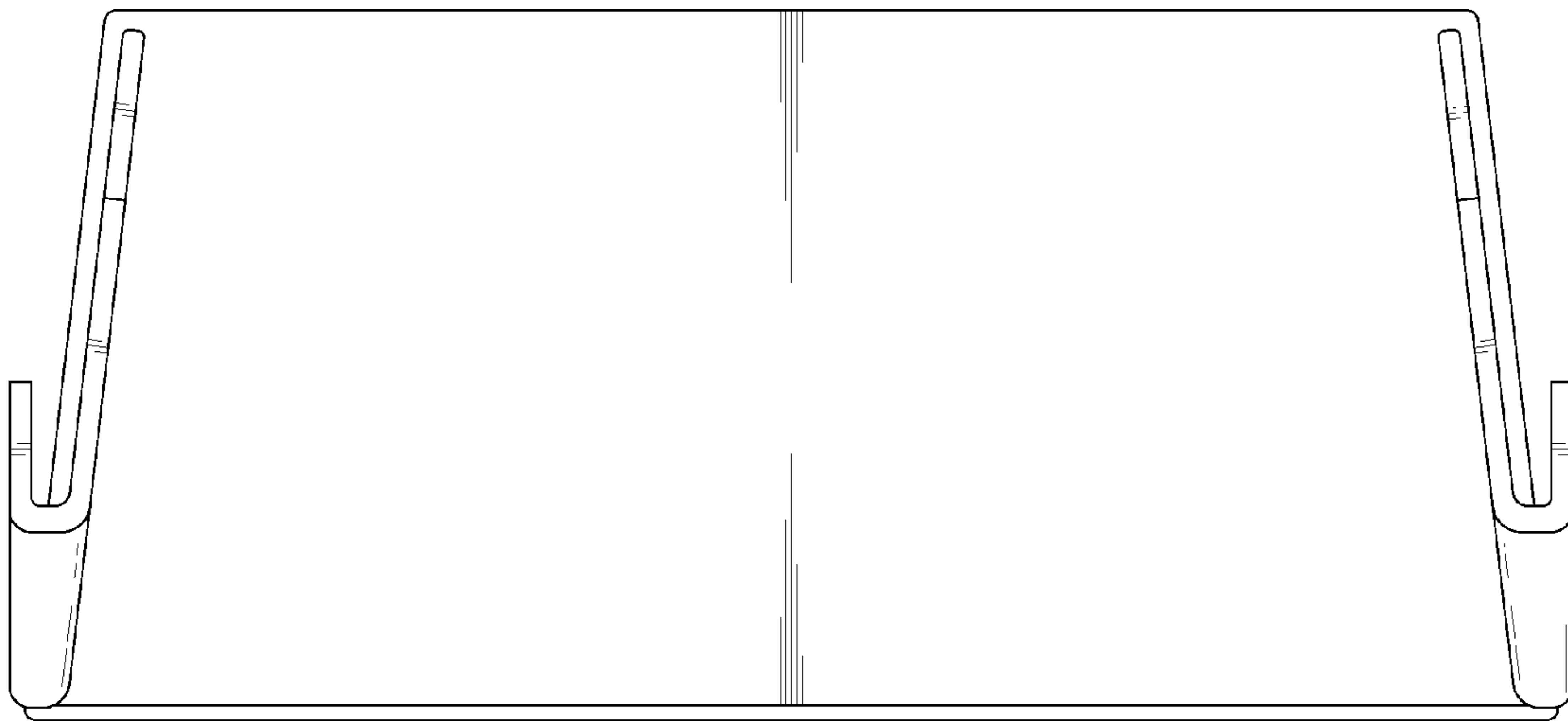


FIG. 8

