



US00D728536S

(12) **United States Design Patent**  
**Nada et al.**

(10) **Patent No.:** **US D728,536 S**  
(45) **Date of Patent:** **\*\* May 5, 2015**

(54) **DISPLAY EQUIPMENT**

(71) Applicant: **OMRON Corporation**, Kyoto (JP)  
(72) Inventors: **Heita Nada**, Kyoto (JP); **Clement Van De Ven**, 's-Hertogenbosch (NL)  
(73) Assignee: **OMRON Corporation**, Kyoto (JP)  
(\*\*) Term: **14 Years**  
(21) Appl. No.: **29/468,925**  
(22) Filed: **Oct. 4, 2013**

(30) **Foreign Application Priority Data**

Apr. 5, 2013 (JP) ..... 2013-007755

(51) **LOC (10) CL.** ..... **14-03**

(52) **U.S. CL.**  
USPC ..... **D14/239**

(58) **Field of Classification Search**

USPC ..... D14/126, 239, 371, 136, 374-377, 440,  
D14/450, 448, 336, 342; 312/7.2; 348/836,  
348/838, 180, 184, 325, 739; 341/12;  
248/917-924, 465; 345/104, 133, 156,  
345/168, 87, 173; 720/605, 669, 600, 655;  
369/99, 197; 455/344, 347; D21/329,  
D21/515, 577, 622, 333, 433, 448, 452, 450,  
D21/331; D6/477, 479, 300; 273/148 B;  
446/484, 175, 356; D10/15, 26

See application file for complete search history.

(56) **References Cited**

U.S. PATENT DOCUMENTS

|          |   |   |         |                 |       |         |
|----------|---|---|---------|-----------------|-------|---------|
| D546,303 | S | * | 7/2007  | Fujii et al.    | ..... | D14/126 |
| D597,043 | S | * | 7/2009  | Honda et al.    | ..... | D14/126 |
| D597,505 | S | * | 8/2009  | Hirasawa et al. | ..... | D14/126 |
| D610,560 | S | * | 2/2010  | Chen            | ..... | D14/126 |
| D619,553 | S | * | 7/2010  | Katsumata       | ..... | D14/126 |
| D636,747 | S | * | 4/2011  | Buzzard et al.  | ..... | D14/126 |
| D639,258 | S | * | 6/2011  | Chien           | ..... | D14/126 |
| D664,513 | S | * | 7/2012  | Laube et al.    | ..... | D14/126 |
| D669,049 | S | * | 10/2012 | Harper et al.   | ..... | D14/129 |
| D679,670 | S | * | 4/2013  | Takami et al.   | ..... | D14/126 |
| D679,672 | S | * | 4/2013  | Fujii et al.    | ..... | D14/126 |

\* cited by examiner

*Primary Examiner* — Randall Gholson

(74) *Attorney, Agent, or Firm* — Harness, Dickey & Pierce, P.L.C.

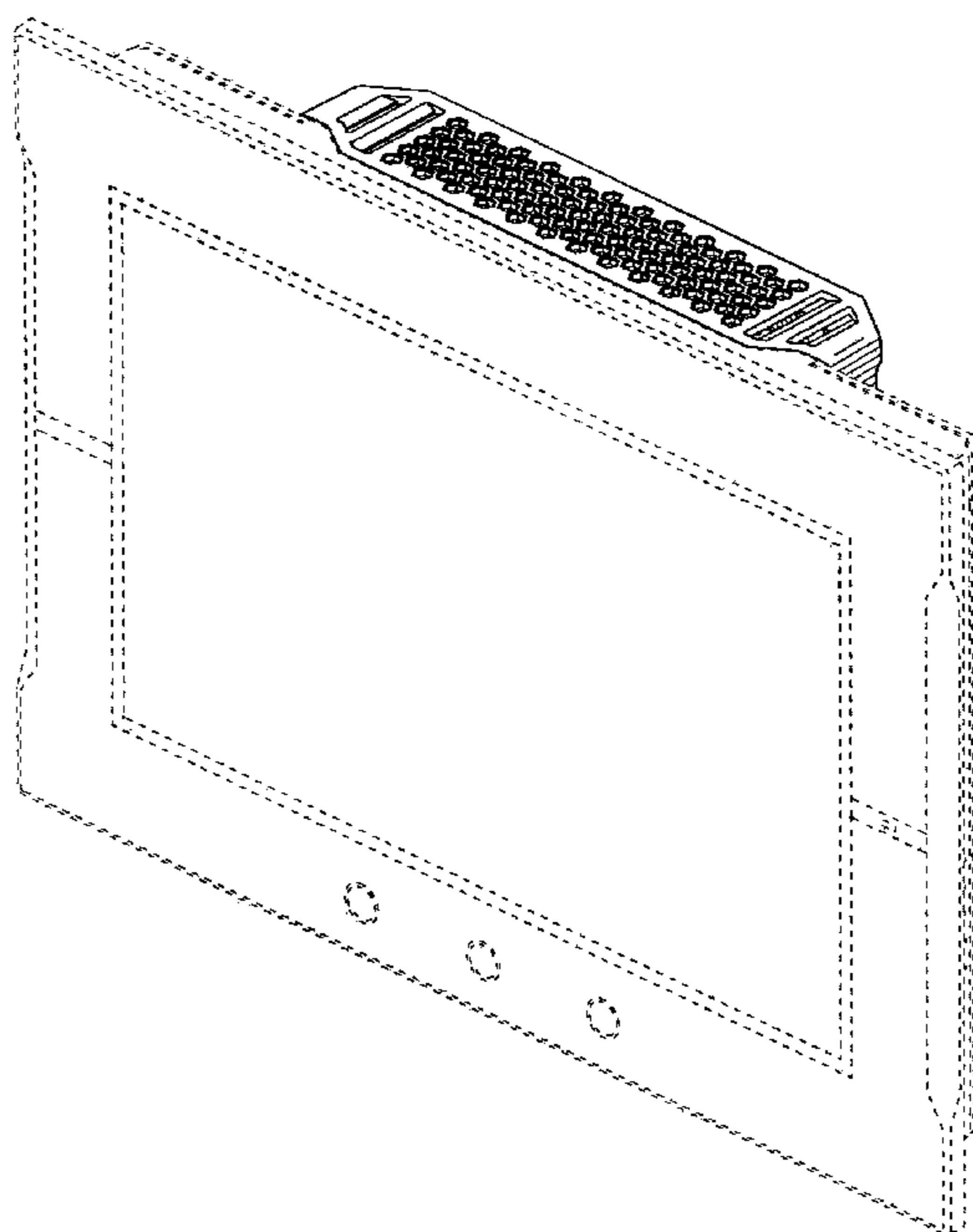
(57) **CLAIM**

The ornamental design for a display equipment, as shown and described.

**DESCRIPTION**

FIG. 1 is a top, front and right side perspective view of a display equipment showing our new design;  
FIG. 2 is a bottom, rear and left side perspective view thereof;  
FIG. 3 is a front elevational view thereof;  
FIG. 4 is a rear elevational view thereof;  
FIG. 5 is a left side view thereof;  
FIG. 6 is a right side view thereof;  
FIG. 7 is a top plan view thereof; and,  
FIG. 8 is a bottom plan view thereof.  
The broken lines depict environmental subject matter only and form no part of the claimed design.

**1 Claim, 6 Drawing Sheets**



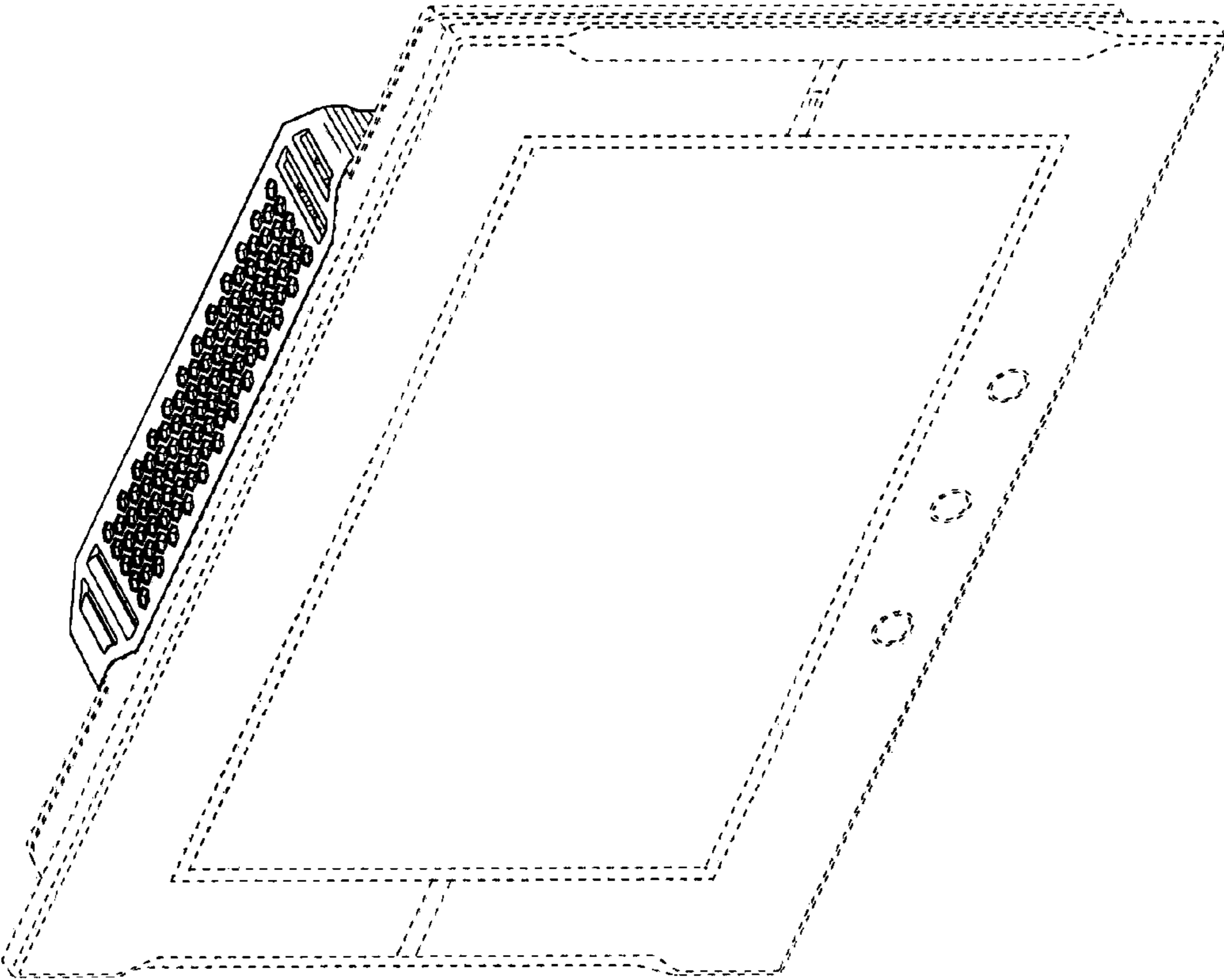


Fig. 1

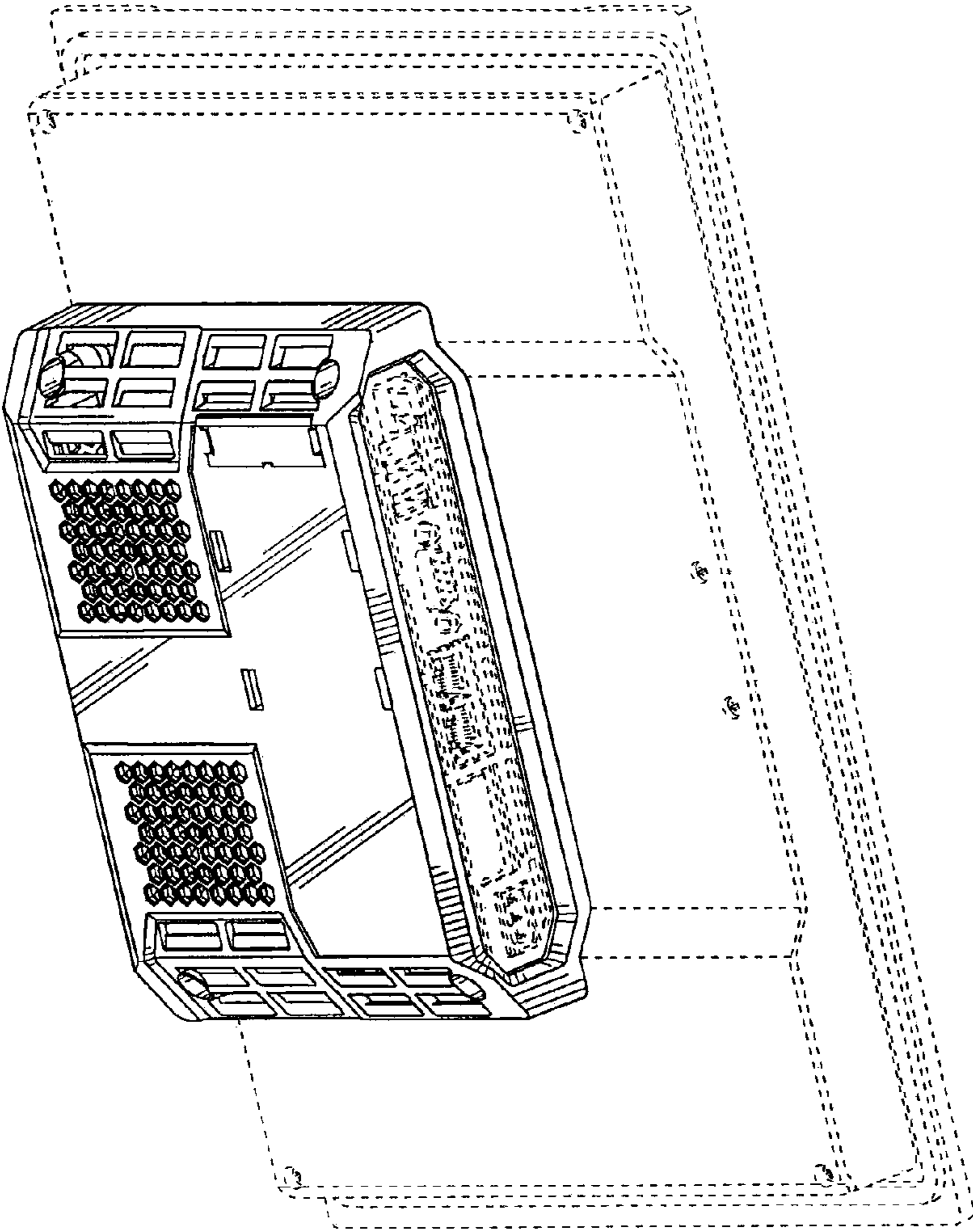


Fig. 2

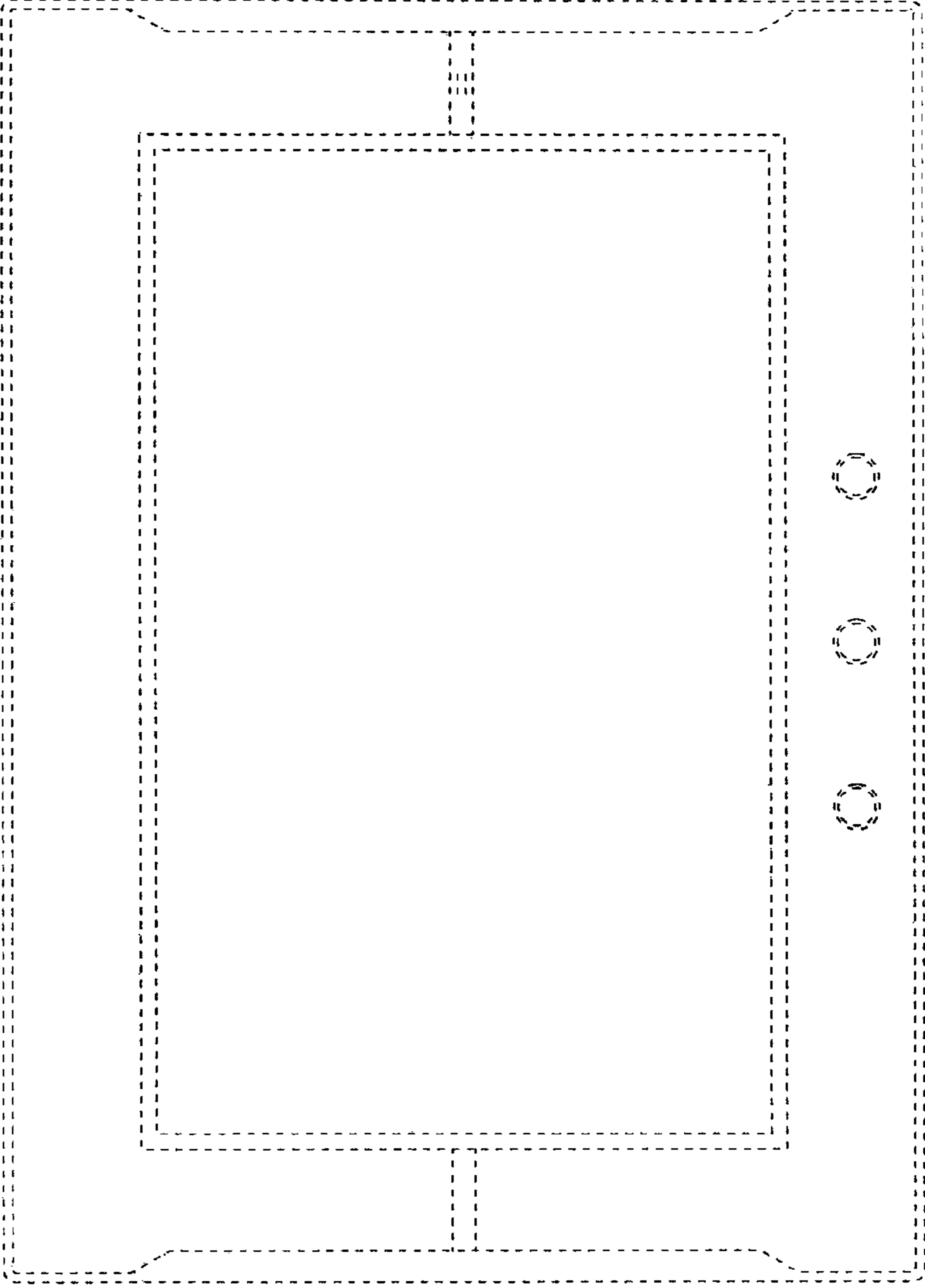


Fig. 3

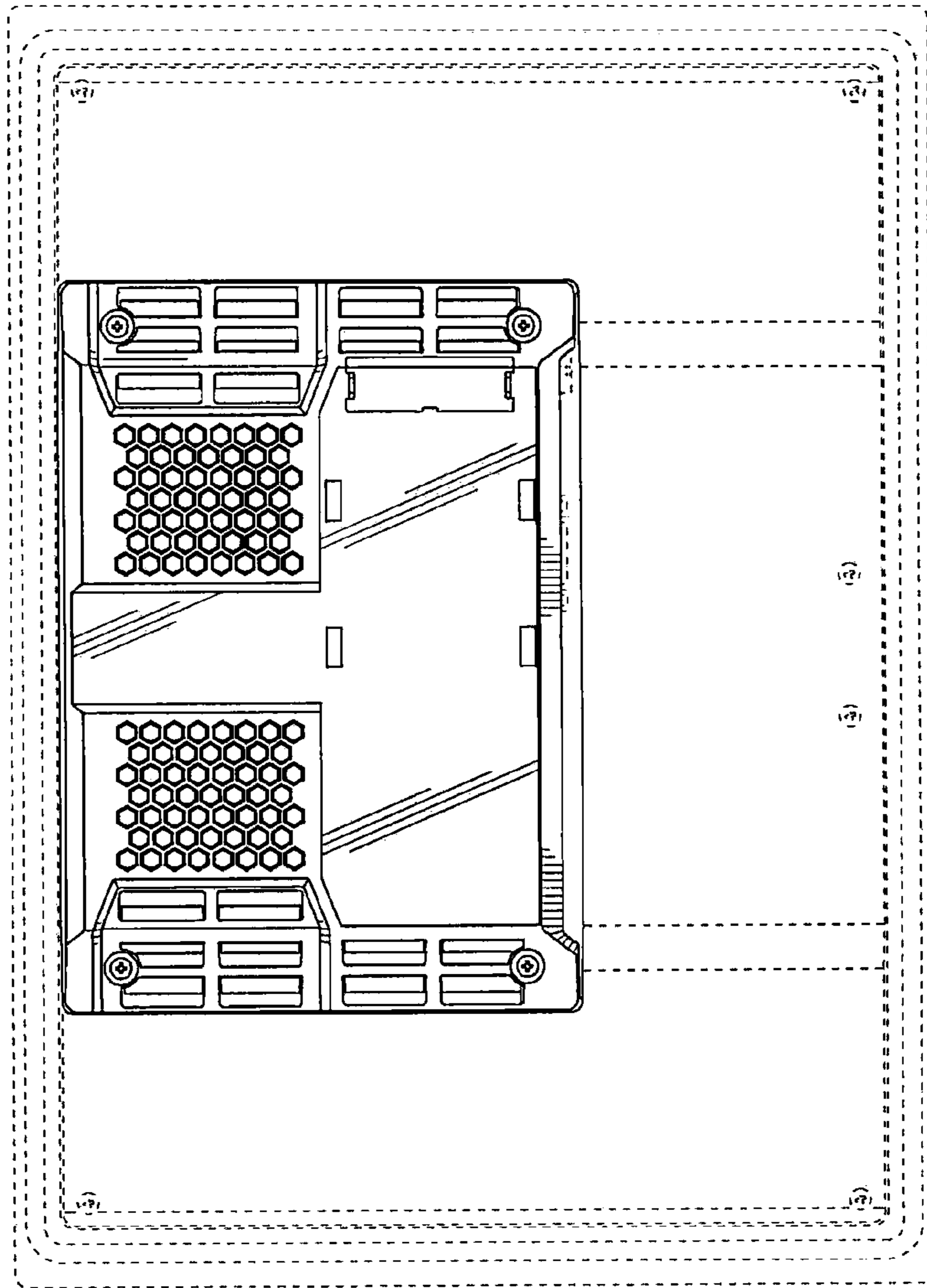


Fig. 4

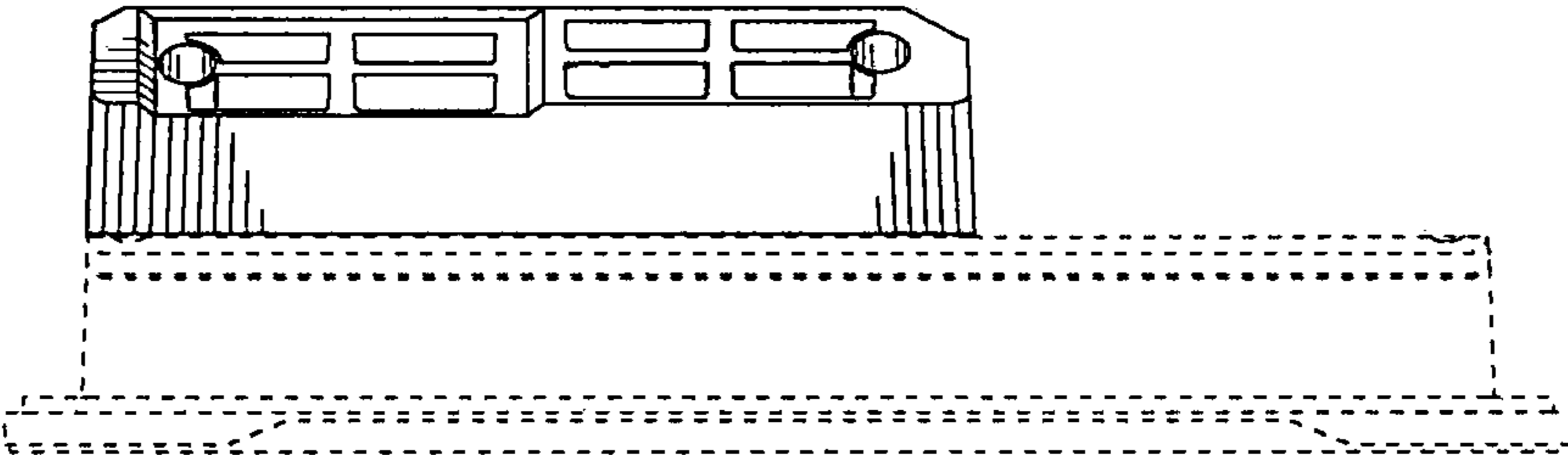


Fig. 6

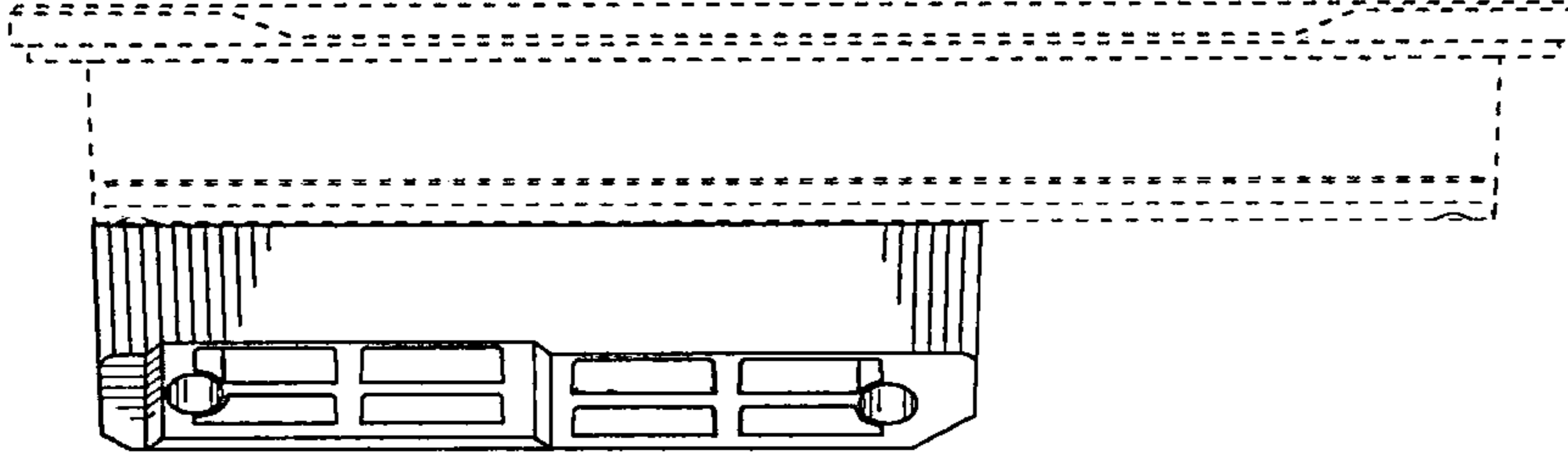


Fig. 5

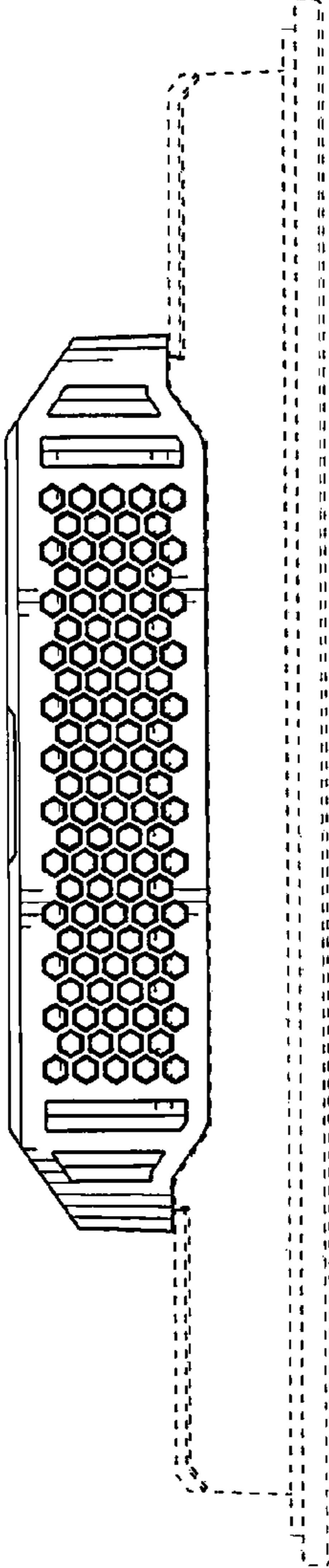


Fig. 7

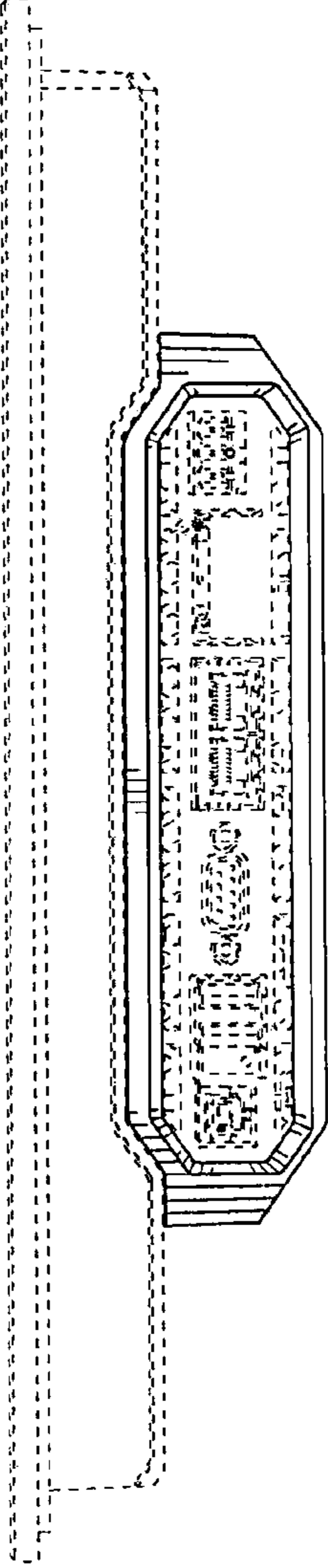


Fig. 8