

US00D728535S

(12) **United States Design Patent**  
**Degenkolb**

(10) **Patent No.:** **US D728,535 S**

(45) **Date of Patent:** **\*\* May 5, 2015**

(54) **SOUND DEFLECTOR**

(71) Applicant: **Tim Degenkolb**, Kokomo, IN (US)

(72) Inventor: **Tim Degenkolb**, Kokomo, IN (US)

(73) Assignee: **Audio Deflekt, LLC**, Kokomo, IN (US)

(\*\*) Term: **14 Years**

(21) Appl. No.: **29/484,975**

(22) Filed: **Mar. 14, 2014**

(51) **LOC (10) Cl.** ..... **14-01**

(52) **U.S. Cl.**

USPC ..... **D14/238.1**; D14/209.1

(58) **Field of Classification Search**

CPC ..... G10K 11/00; A47F 5/00; F16M 11/04;  
H04M 1/06

USPC ..... D14/204, 204.1, 210-216, 172, 209.1,  
D14/496, 203.1, 203.3, 217; 181/143, 144,  
181/147, 148, 150-153, 157, 198, 199, 175,  
181/211; 381/300-306, 332, 333, 336, 345,  
381/361-364; 273/148 B; 463/1, 29-35, 46,  
463/47; 379/446; 455/569.1, 575.1;  
710/303

See application file for complete search history.

(56) **References Cited**

**U.S. PATENT DOCUMENTS**

2,448,682 A \* 9/1948 Pancotti ..... 84/376 R  
4,134,324 A \* 1/1979 LeMert ..... 84/411 R  
4,753,317 A \* 6/1988 Flanders ..... 181/144  
4,967,872 A \* 11/1990 Hart ..... 181/155

5,181,301 A \* 1/1993 Wheeler ..... 29/896.1  
5,996,729 A \* 12/1999 Kampf ..... 181/205  
D452,236 S \* 12/2001 Kohli ..... D14/253  
6,762,585 B2 \* 7/2004 Liao ..... 320/107  
6,980,836 B1 \* 12/2005 Skiles ..... 455/569.2  
D530,713 S \* 10/2006 Richter ..... D14/253  
D627,771 S \* 11/2010 Smith et al. .... D14/253  
D656,133 S \* 3/2012 Wang et al. .... D14/240  
D681,612 S 5/2013 Palacios  
8,616,327 B1 12/2013 Palacios  
8,693,709 B2 \* 4/2014 Schneider ..... 381/161

\* cited by examiner

*Primary Examiner* — Prabhakar Deshmukh

(74) *Attorney, Agent, or Firm* — Frank D Lachenmaier

(57) **CLAIM**

The ornamental design for a sound deflector, as shown and described.

**DESCRIPTION**

FIG. 1 is a perspective view of a sound deflector showing my new design;

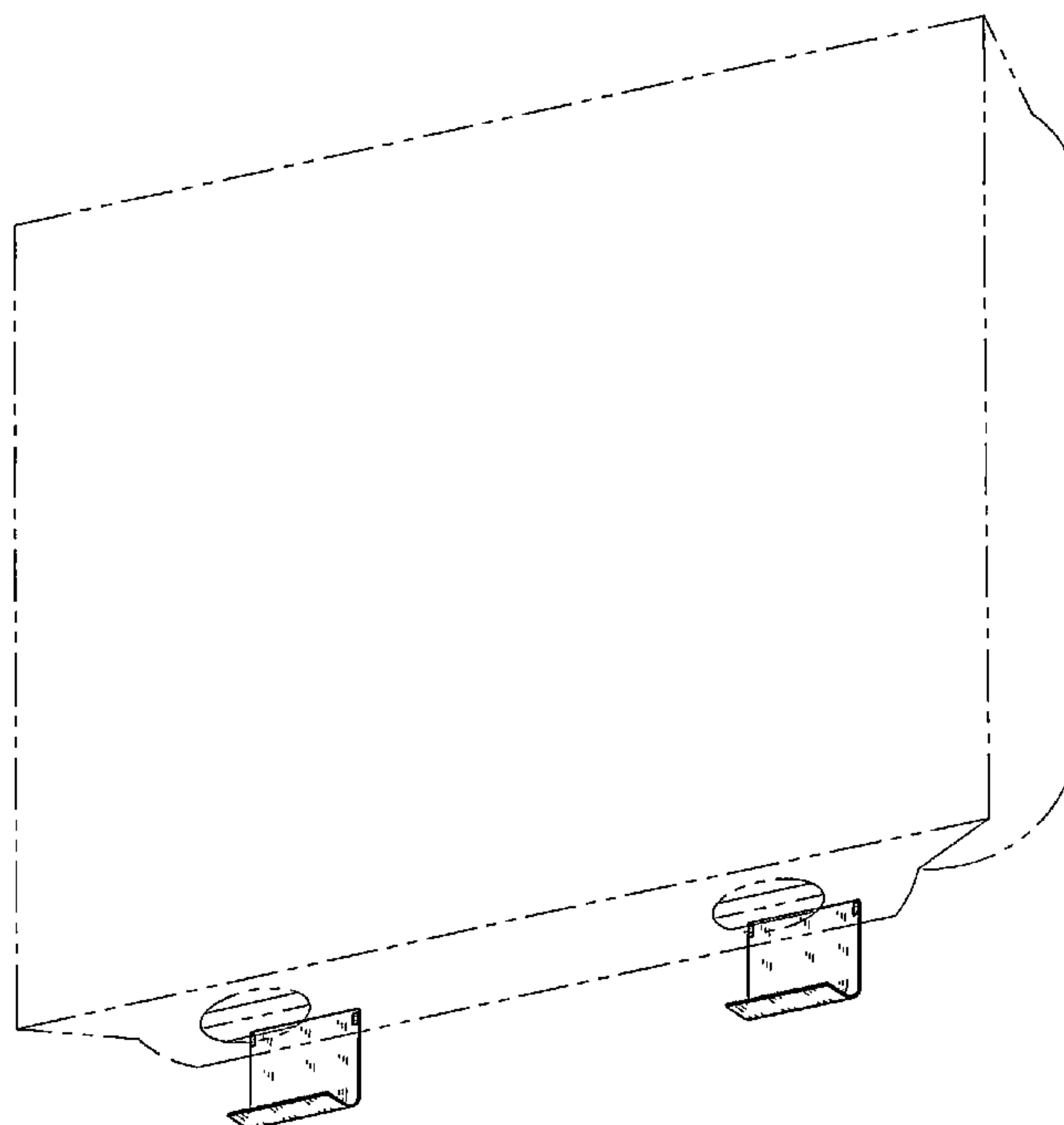
FIG. 2 is an enlarged top plan view thereof;

FIG. 3 is an enlarged front elevational view thereof; and,

FIG. 4 is an enlarged right side elevational view thereof, the left side elevational view being a mirror image thereof.

A flat television screen and bottom speakers shown in broken lines are for illustrative purpose only and form no part of the claimed design. FIGS. 2-4 disclose only one of the sound deflectors in details for clarity and it is understood that the undisclosed sound deflector is the same.

**1 Claim, 2 Drawing Sheets**



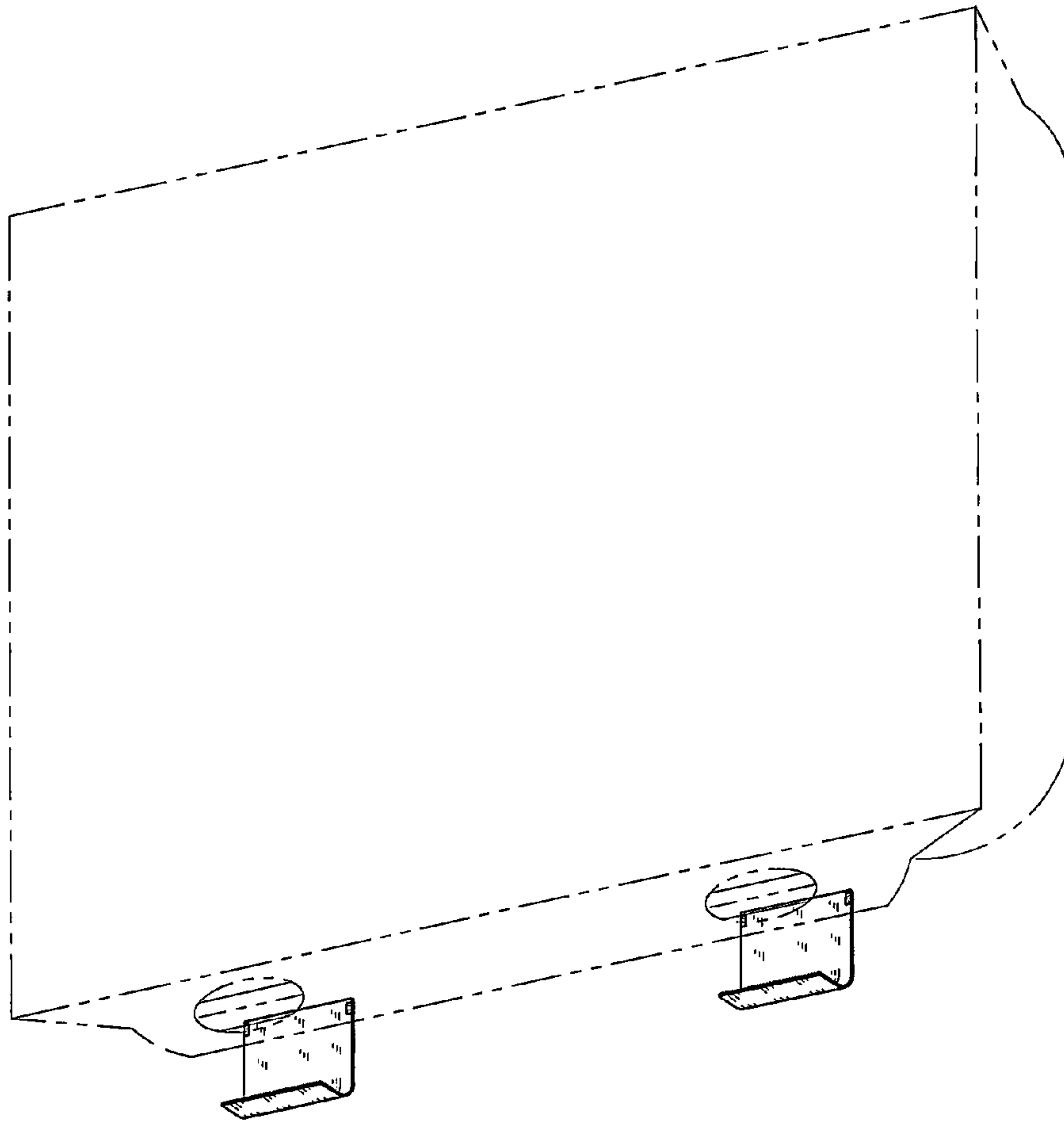


FIG. 1

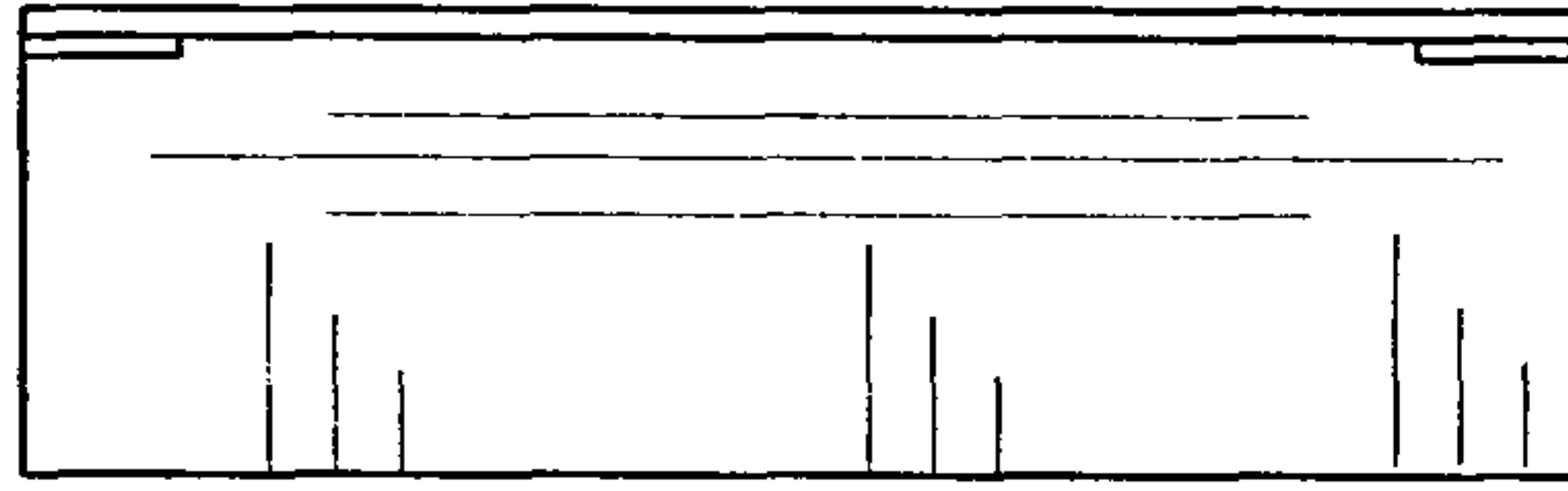


FIG. 2

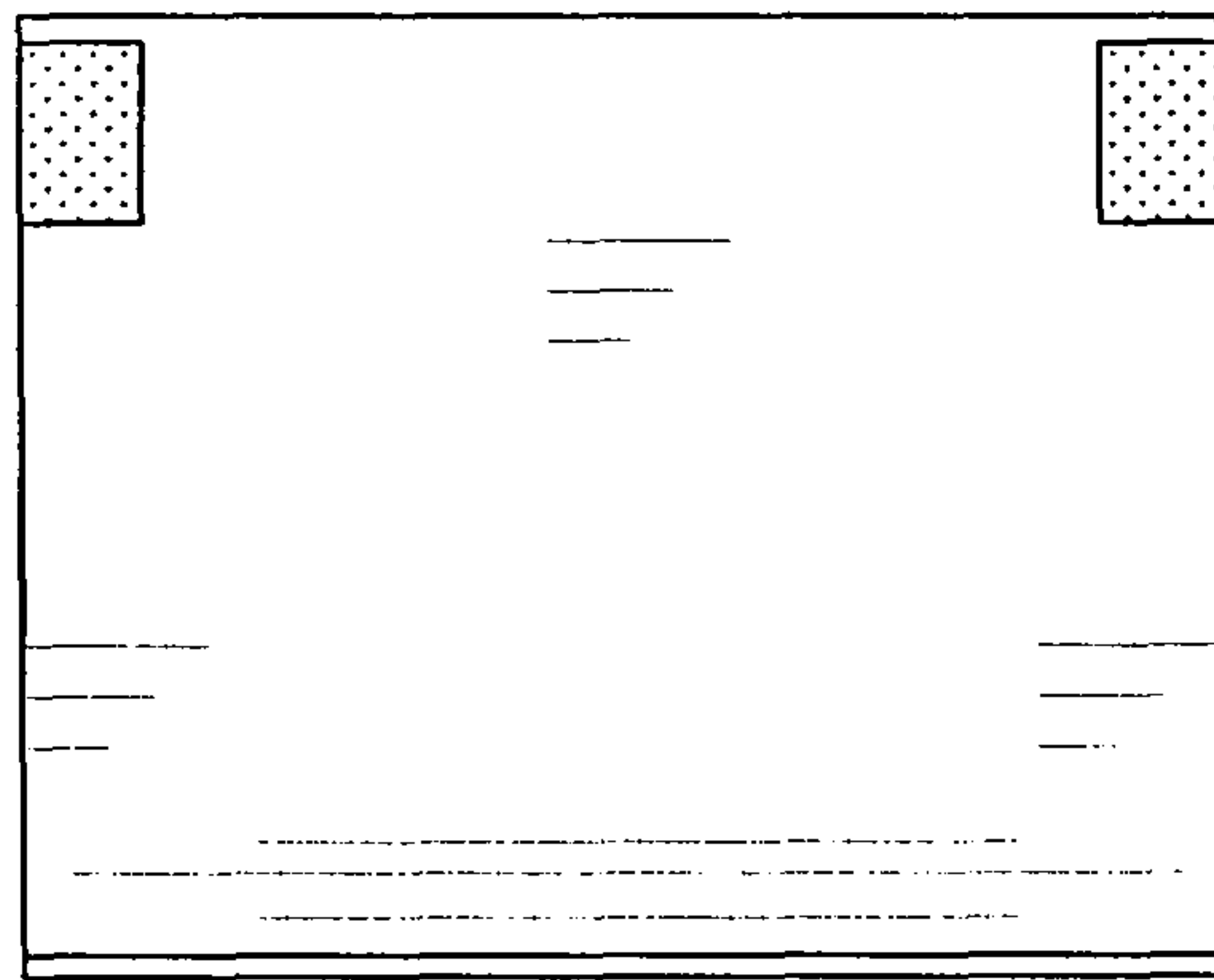


FIG. 3

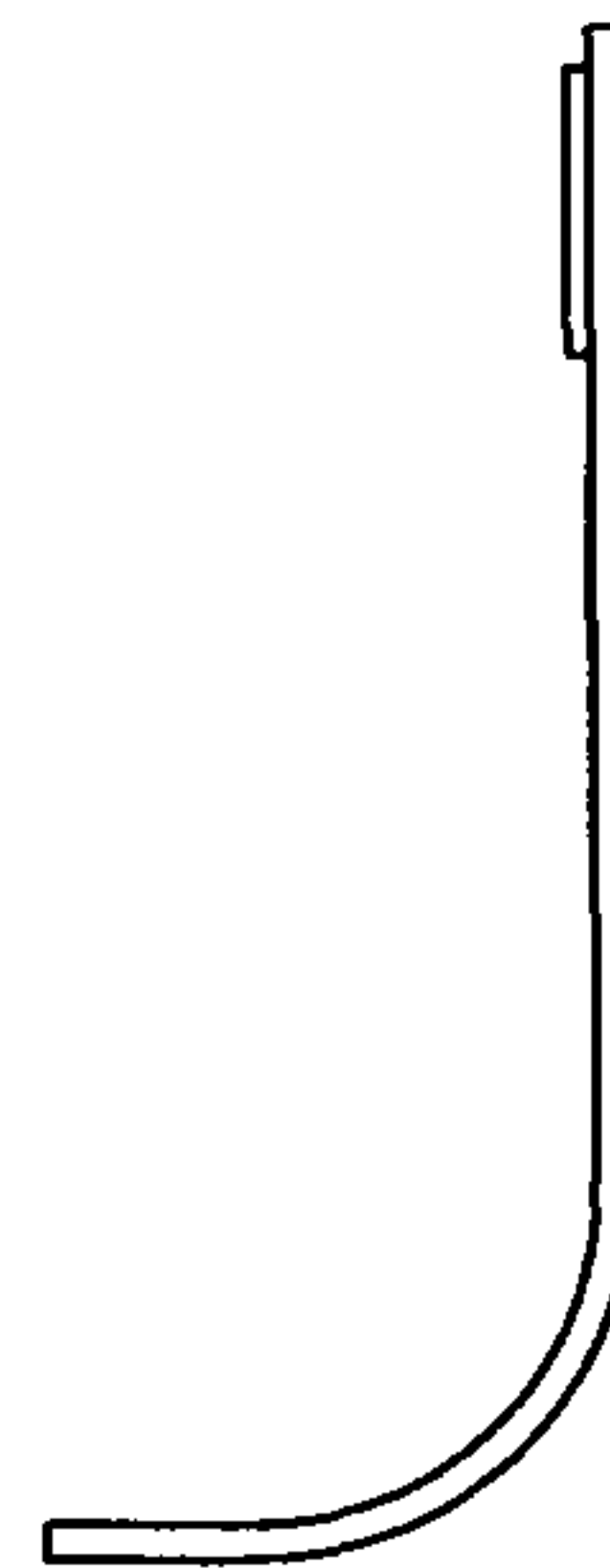


FIG. 4