



US00D728524S

(12) **United States Design Patent**  
**Cho**

(10) **Patent No.:** **US D728,524 S**

(45) **Date of Patent:** **\*\* May 5, 2015**

(54) **SPEAKER**

(71) Applicant: **Samsung Electronics Co., Ltd.**,  
Suwon-si (KR)

(72) Inventor: **Ju-Won Cho**, Seoul (KR)

(73) Assignee: **Samsung Electronics Co., Ltd.**,  
Suwon-si (KR)

(\*\*) Term: **14 Years**

(21) Appl. No.: **29/476,382**

(22) Filed: **Dec. 12, 2013**

(30) **Foreign Application Priority Data**

Jun. 18, 2013 (KR) ..... 30-2013-0031464

(51) **LOC (10) Cl.** ..... **14-03**

(52) **U.S. Cl.**  
USPC ..... **D14/216**

(58) **Field of Classification Search**  
USPC ..... D14/167, 168, 170-172, 188, 194-196,  
D14/204, 207, 209.1, 210-216, 219, 221,  
D14/222, 224, 496; 181/143, 144, 147, 148,  
181/150, 153, 157, 198, 199; 381/300-303,  
381/306, 332, 333, 336, 345, 361-364,  
381/386-388; 369/6-12

See application file for complete search history.

(56) **References Cited**

U.S. PATENT DOCUMENTS

D457,153	S	*	5/2002	Allen	.....	D14/168
D505,130	S	*	5/2005	Yuyama	.....	D14/168
D563,386	S	*	3/2008	Foster	.....	D14/214
D578,105	S	*	10/2008	Komiyama	.....	D14/214
D586,327	S	*	2/2009	Shimizu	.....	D14/188
D641,007	S	*	7/2011	Skurdal	.....	D14/214
D641,731	S	*	7/2011	Hoggarth et al.	.....	D14/216
D642,154	S	*	7/2011	Poandl	.....	D14/171
D693,329	S	*	11/2013	Lee et al.	.....	D14/216
D710,819	S	*	8/2014	Poandl	.....	D14/171
D713,380	S	*	9/2014	Kim et al.	.....	D14/209.1

\* cited by examiner

*Primary Examiner* — Keli L Hill

(74) *Attorney, Agent, or Firm* — NSIP Law

(57) **CLAIM**

The ornamental design for a speaker, as shown and described.

**DESCRIPTION**

FIG. 1 is a front perspective view of a speaker showing my new design;

FIG. 2 is a front view thereof;

FIG. 3 is a rear view thereof;

FIG. 4 is a left-side view thereof;

FIG. 5 is a right-side view thereof;

FIG. 6 is a top view thereof;

FIG. 7 is a bottom view thereof; and,

FIG. 8 is a rear perspective view, in which a button feature is provided in a raised position to illustrate an example embodiment.

The broken lines illustrating portions of the speaker are for environmental purposes only and form no part of the claimed design.

**1 Claim, 8 Drawing Sheets**

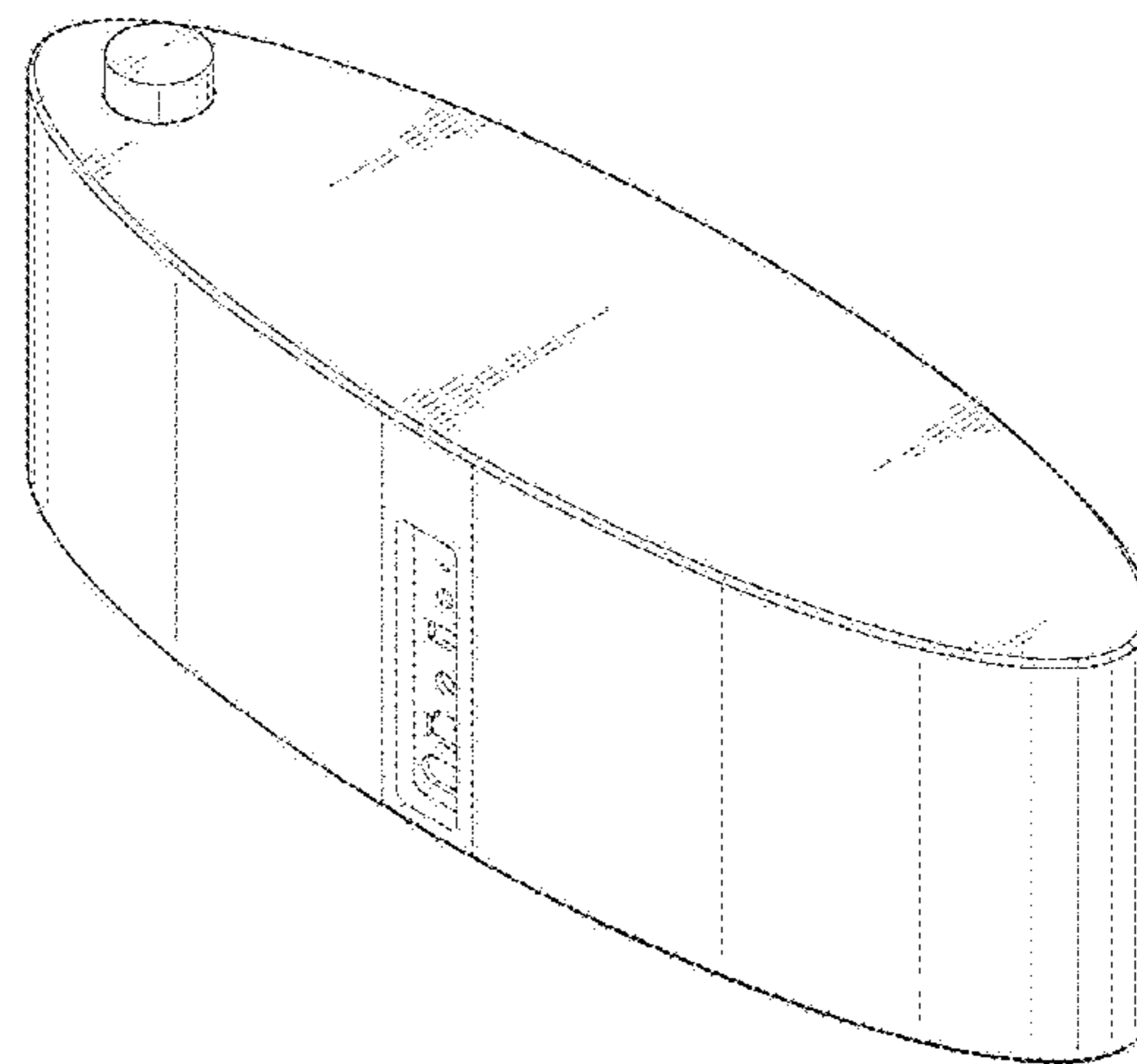
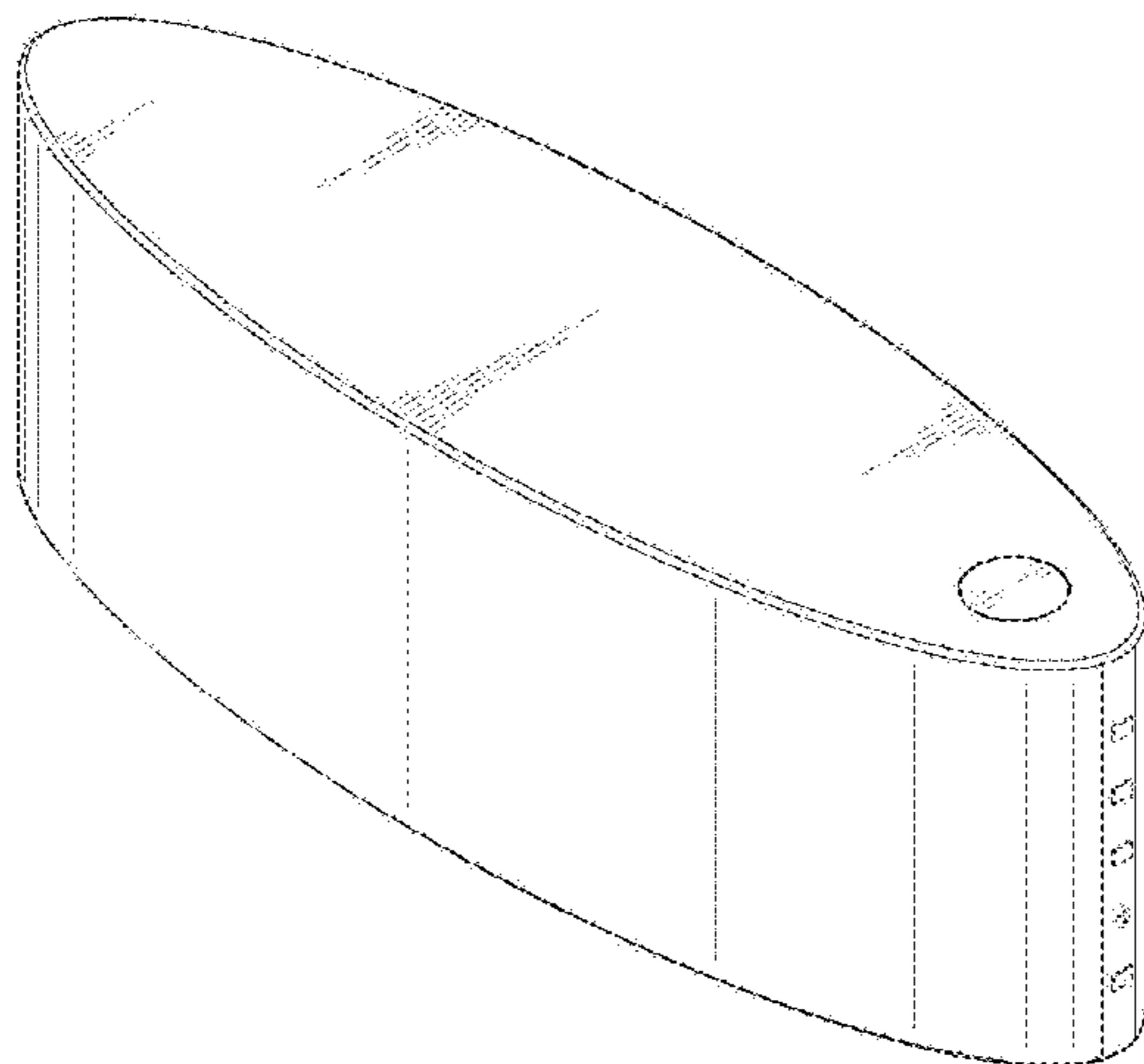


FIG. 1

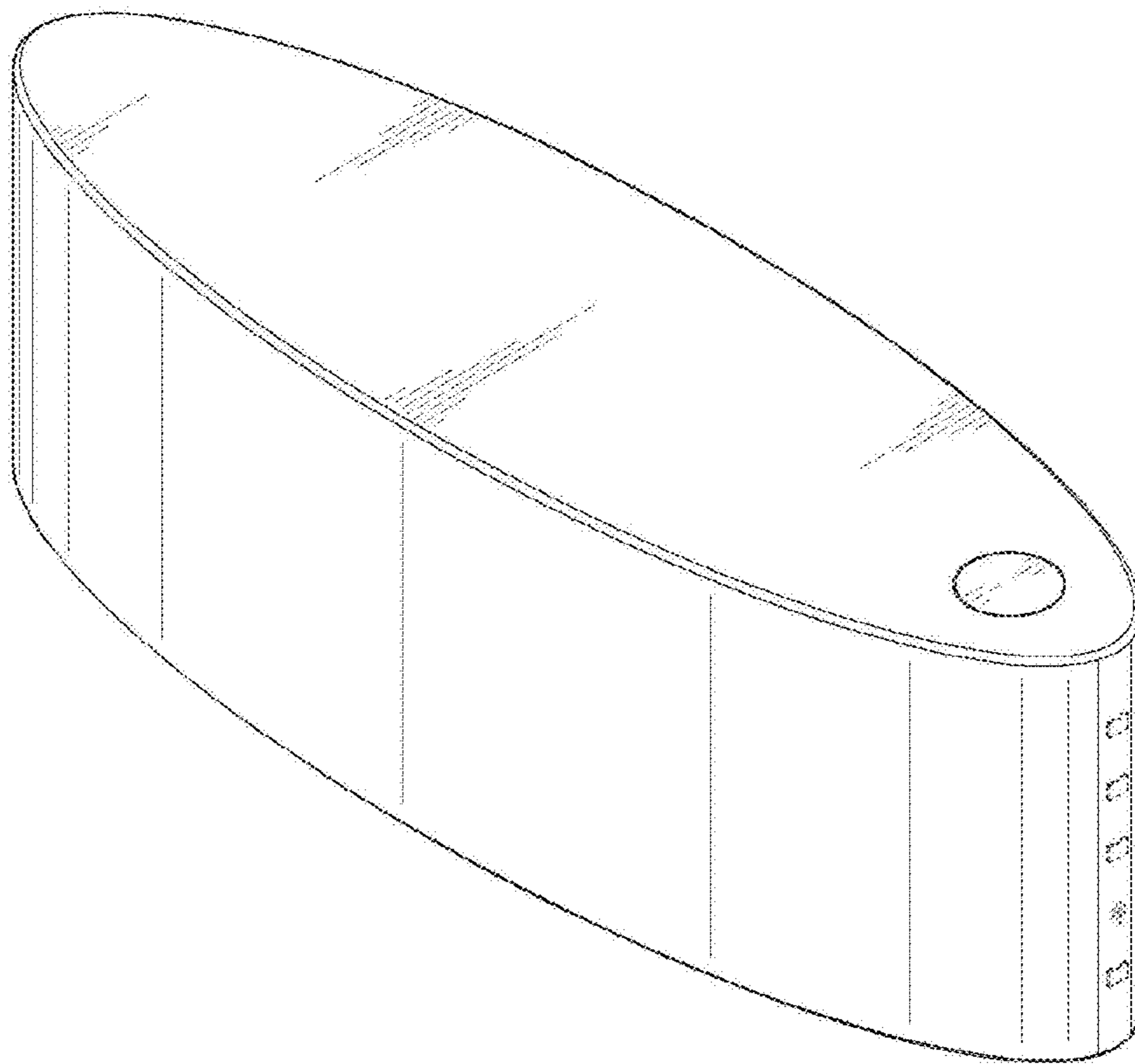


FIG. 2

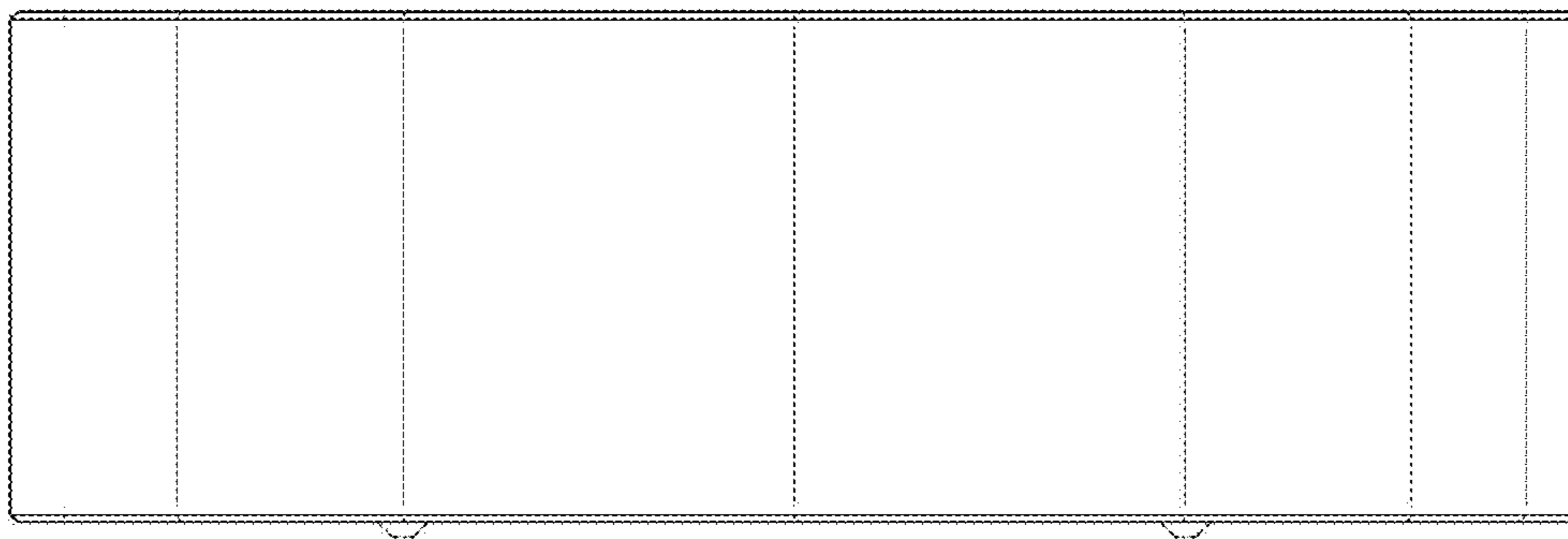


FIG. 3

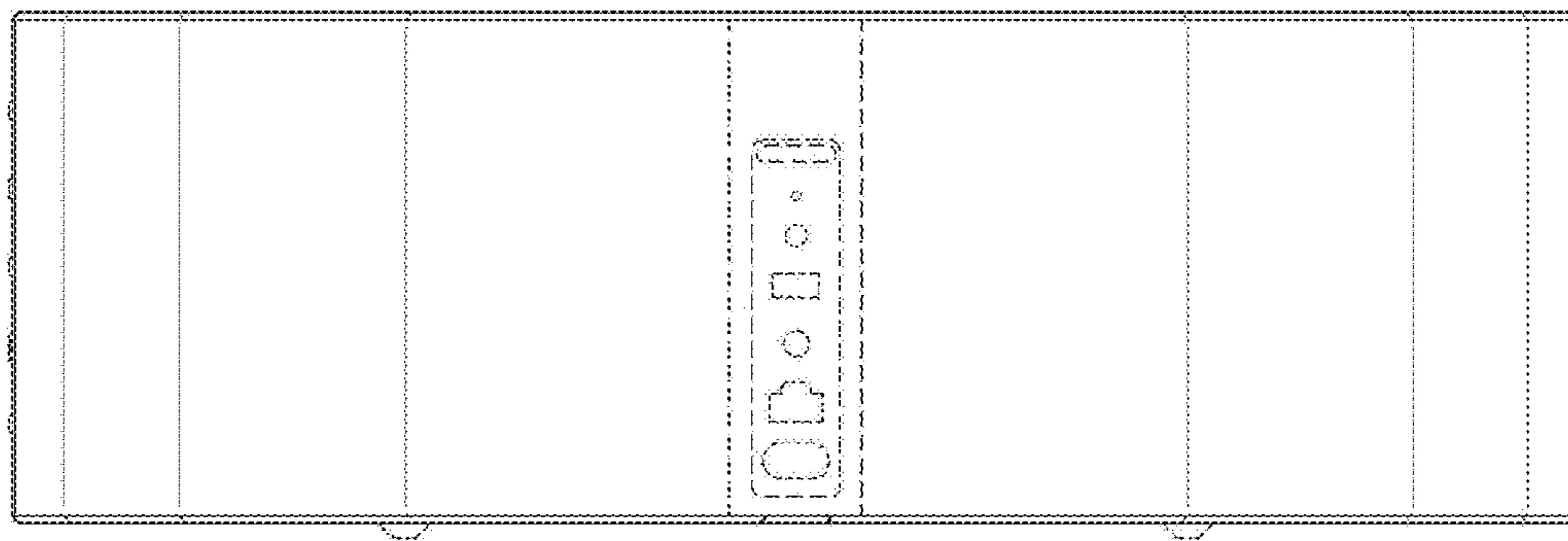


FIG. 4

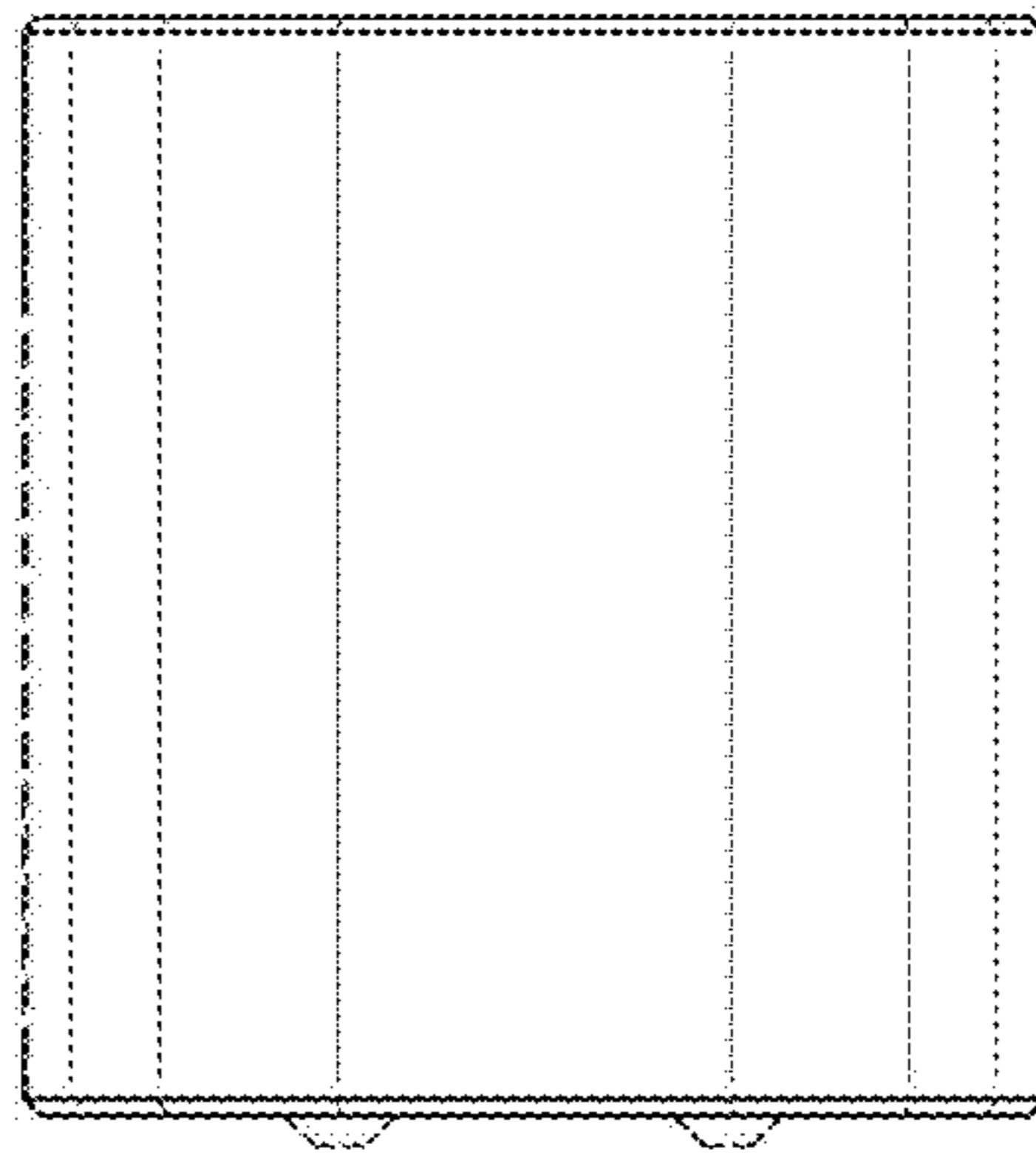


FIG. 5

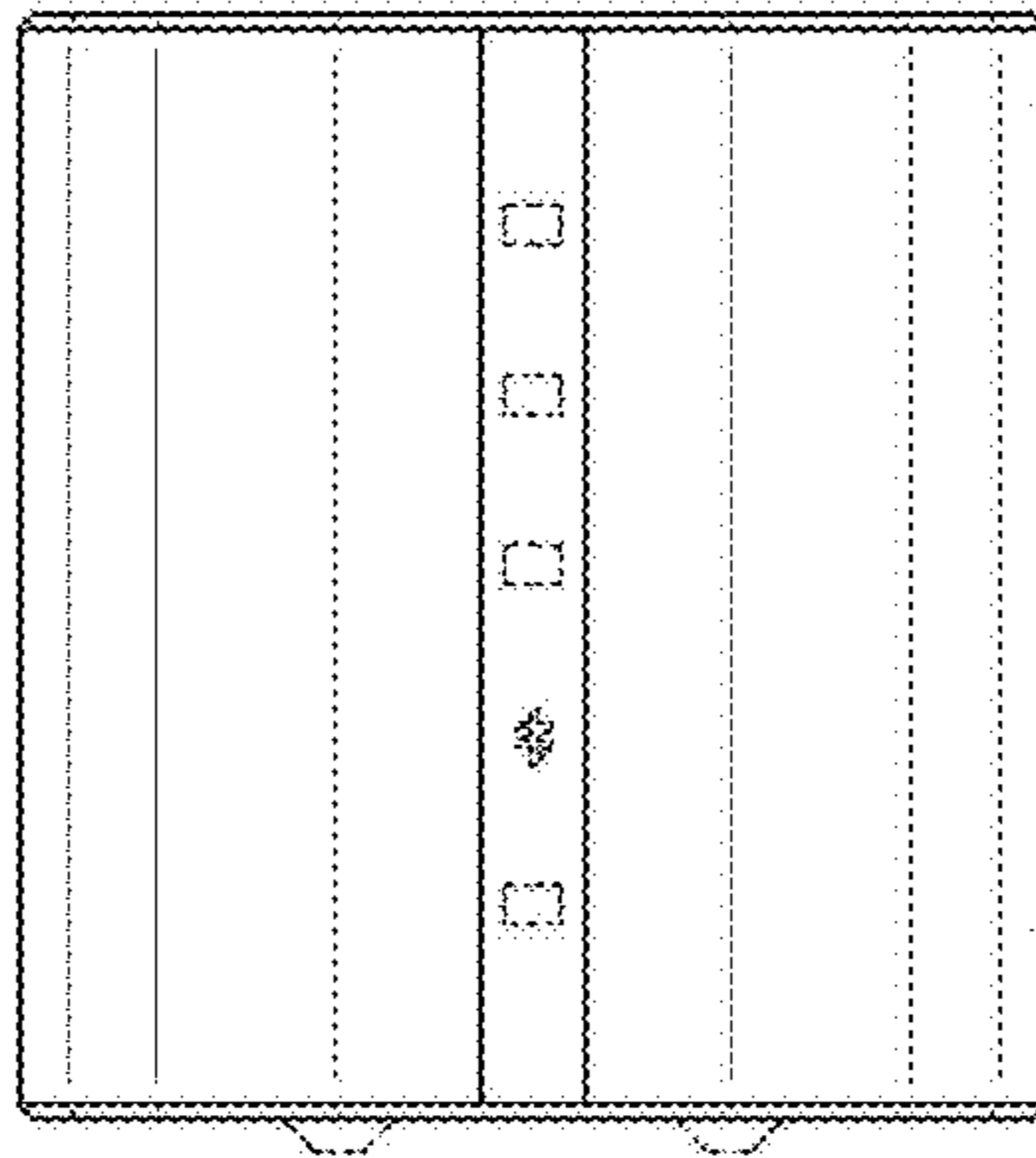


FIG. 6

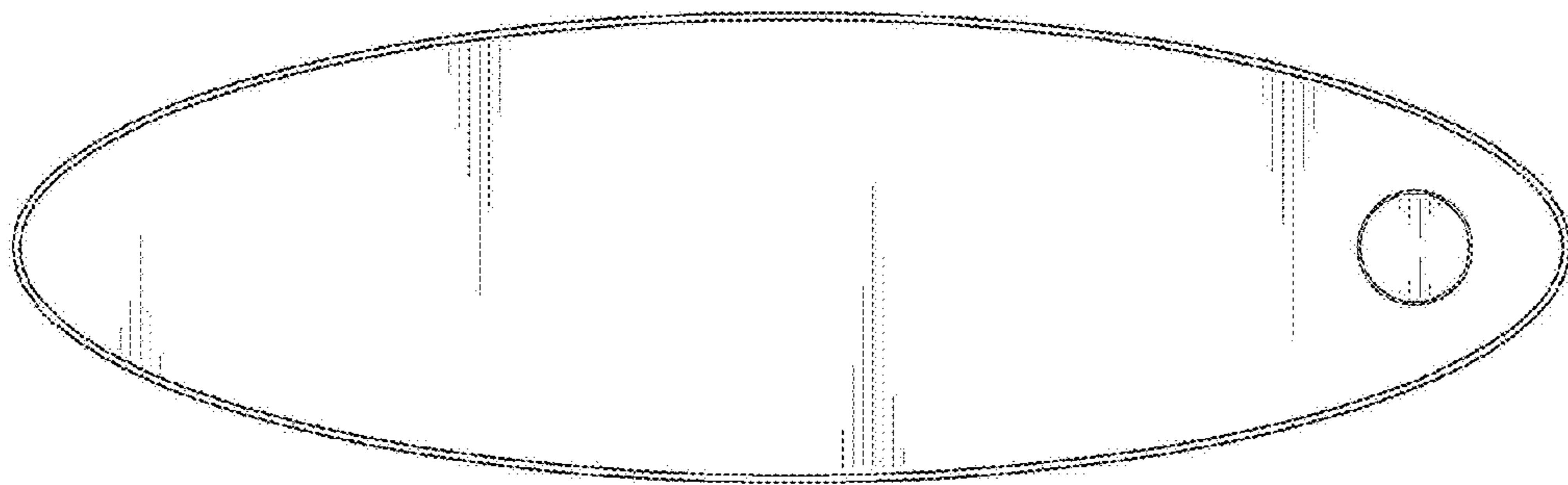


FIG. 7

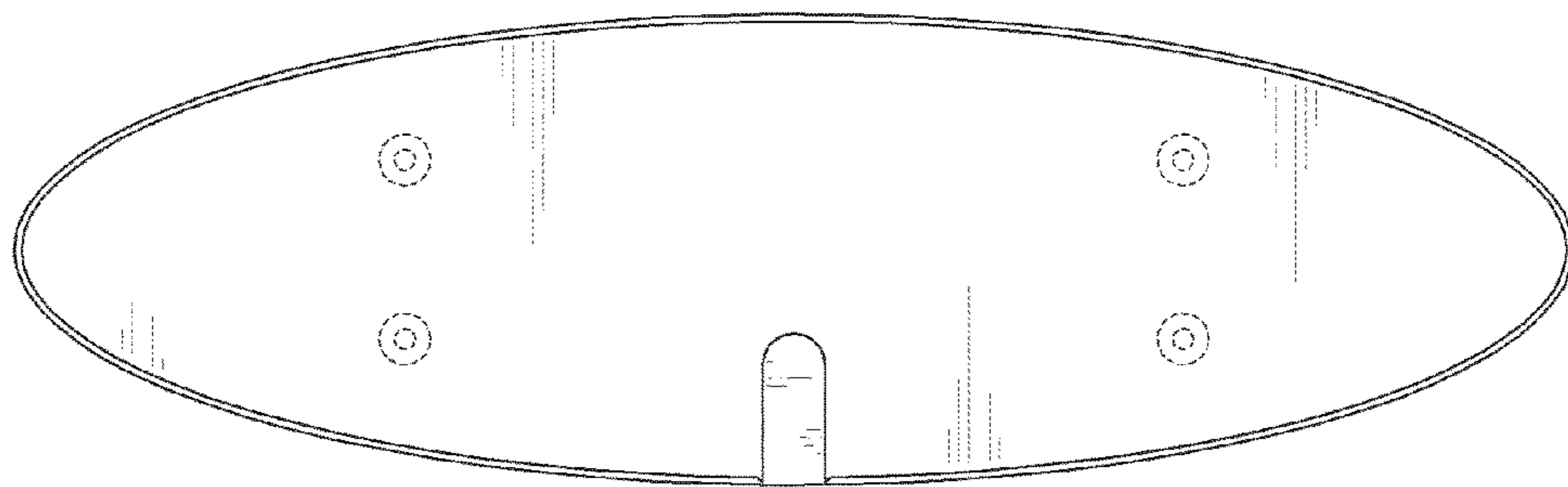




FIG. 8

