



US00D728522S

(12) **United States Design Patent**
Zhang

(10) **Patent No.:** **US D728,522 S**

(45) **Date of Patent:** **** May 5, 2015**

(54) **EXPANDABLE MINI SPEAKER**

(71) Applicant: **Michael Weibin Zhang, Yuen Long (HK)**

(72) Inventor: **Michael Weibin Zhang, Yuen Long (HK)**

(**) Term: **14 Years**

(21) Appl. No.: **29/469,695**

(22) Filed: **Oct. 14, 2013**

(51) **LOC (10) Cl.** **14-03**

(52) **U.S. Cl.**
USPC **D14/216**

(58) **Field of Classification Search**
USPC D14/167, 168, 170–172, 188, 194–196, D14/204, 207, 209.1, 210–216, 219, 221, D14/222, 224, 496; 181/143, 144, 147, 148, 181/150, 153, 157, 198, 199; 381/300–303, 381/306, 332, 333, 336, 345, 361–364, 381/386–388; 369/6–12

See application file for complete search history.

(56) **References Cited**

U.S. PATENT DOCUMENTS

D474,169 S *	5/2003	Fletcher	D14/159
D537,072 S *	2/2007	Kim et al.	D14/215
D591,269 S *	4/2009	Kim et al.	D14/216
D596,159 S *	7/2009	Yamaji et al.	D14/216
D602,911 S *	10/2009	Wang et al.	D14/216
D606,517 S *	12/2009	Nousiainen et al.	D14/216
D607,876 S *	1/2010	Huang	D14/216
D610,572 S *	2/2010	Skurdal	D14/216
D610,573 S *	2/2010	Joseph	D14/216
D620,480 S *	7/2010	Garrett	D14/216
D635,554 S *	4/2011	Lee	D14/216
D643,022 S *	8/2011	Hou	D14/216

D643,408 S *	8/2011	Huang	D14/216
D656,486 S *	3/2012	Parraga Gimeno	D14/216
D682,805 S *	5/2013	Rath	D14/149
D691,587 S *	10/2013	Ferber et al.	D14/216
D694,218 S *	11/2013	Szymanski	D14/216
D695,713 S *	12/2013	Szymanski	D14/216
D695,714 S *	12/2013	Lee	D14/216
D699,218 S *	2/2014	Lee	D14/216
D699,219 S *	2/2014	Lee	D14/216
D699,220 S *	2/2014	Lee	D14/216
D699,222 S *	2/2014	Paslowski	D14/216
D710,826 S *	8/2014	Holzer	D14/216

* cited by examiner

Primary Examiner — Keli L Hill

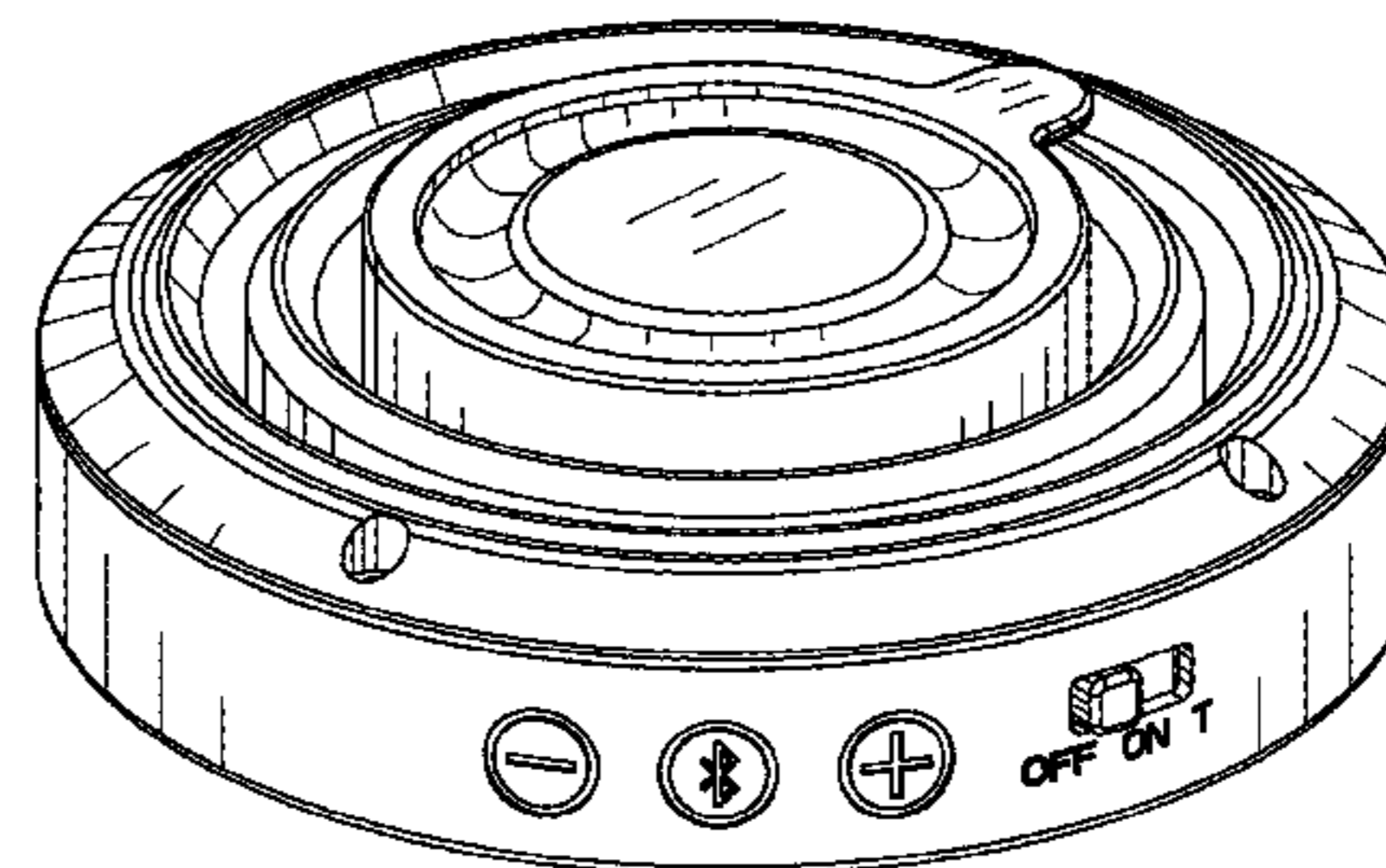
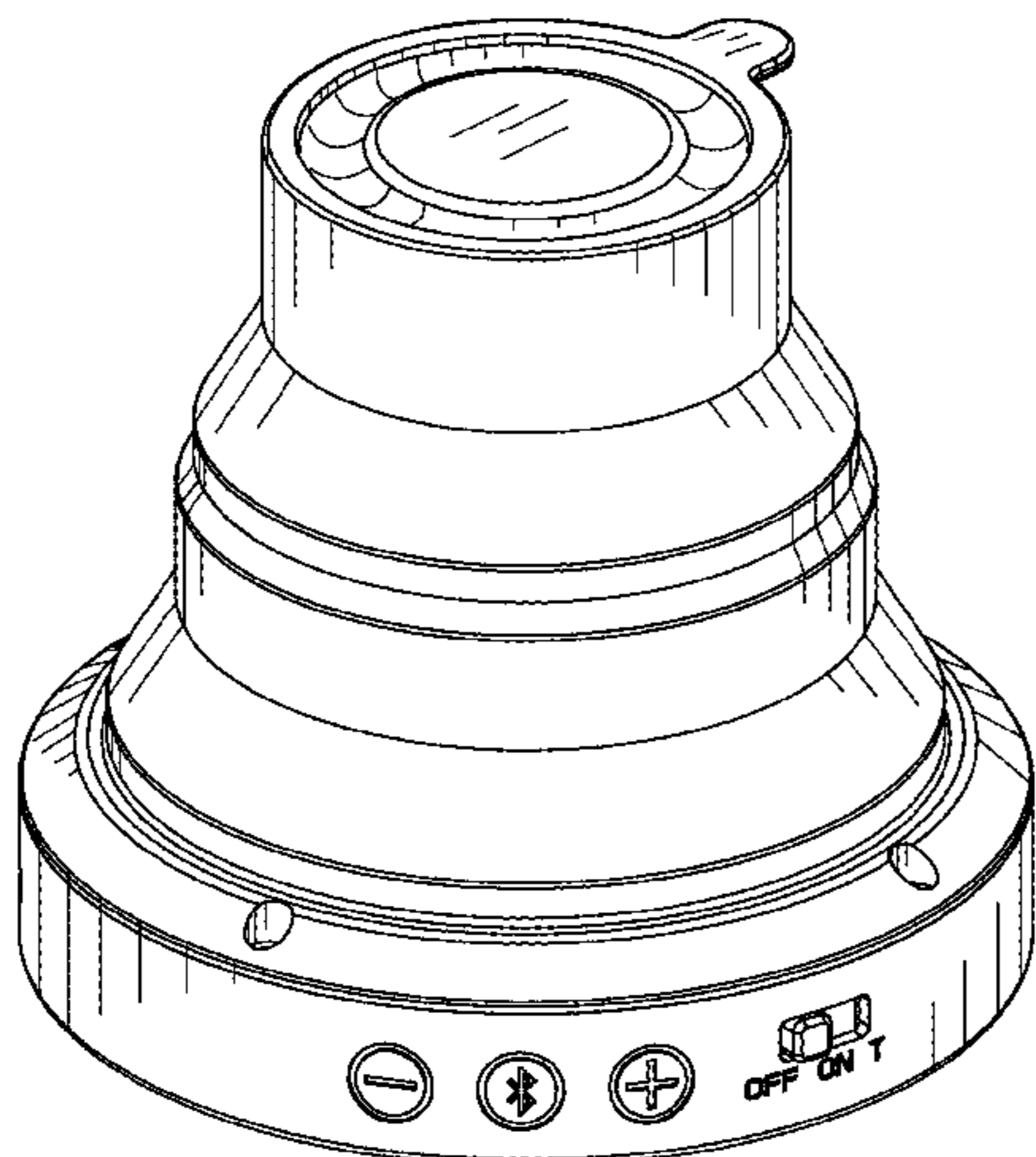
(57) **CLAIM**

The ornamental design for an expandable mini speaker, as shown and described.

DESCRIPTION

FIG. 1 is a front perspective view of an expandable mini speaker showing my new design in an expanded condition.
 FIG. 2 is a front view thereof;
 FIG. 3 is a rear view thereof;
 FIG. 4 is a top view thereof;
 FIG. 5 is a bottom view thereof;
 FIG. 6 is a left side view thereof;
 FIG. 7 is a right side view thereof;
 FIG. 8 is a front perspective view thereof in a closed condition;
 FIG. 9 is a front view thereof;
 FIG. 10 is a rear view thereof;
 FIG. 11 is a top view thereof;
 FIG. 12 is a bottom view thereof;
 FIG. 13 is a left side view thereof; and,
 FIG. 14 is a right side view thereof.

1 Claim, 14 Drawing Sheets



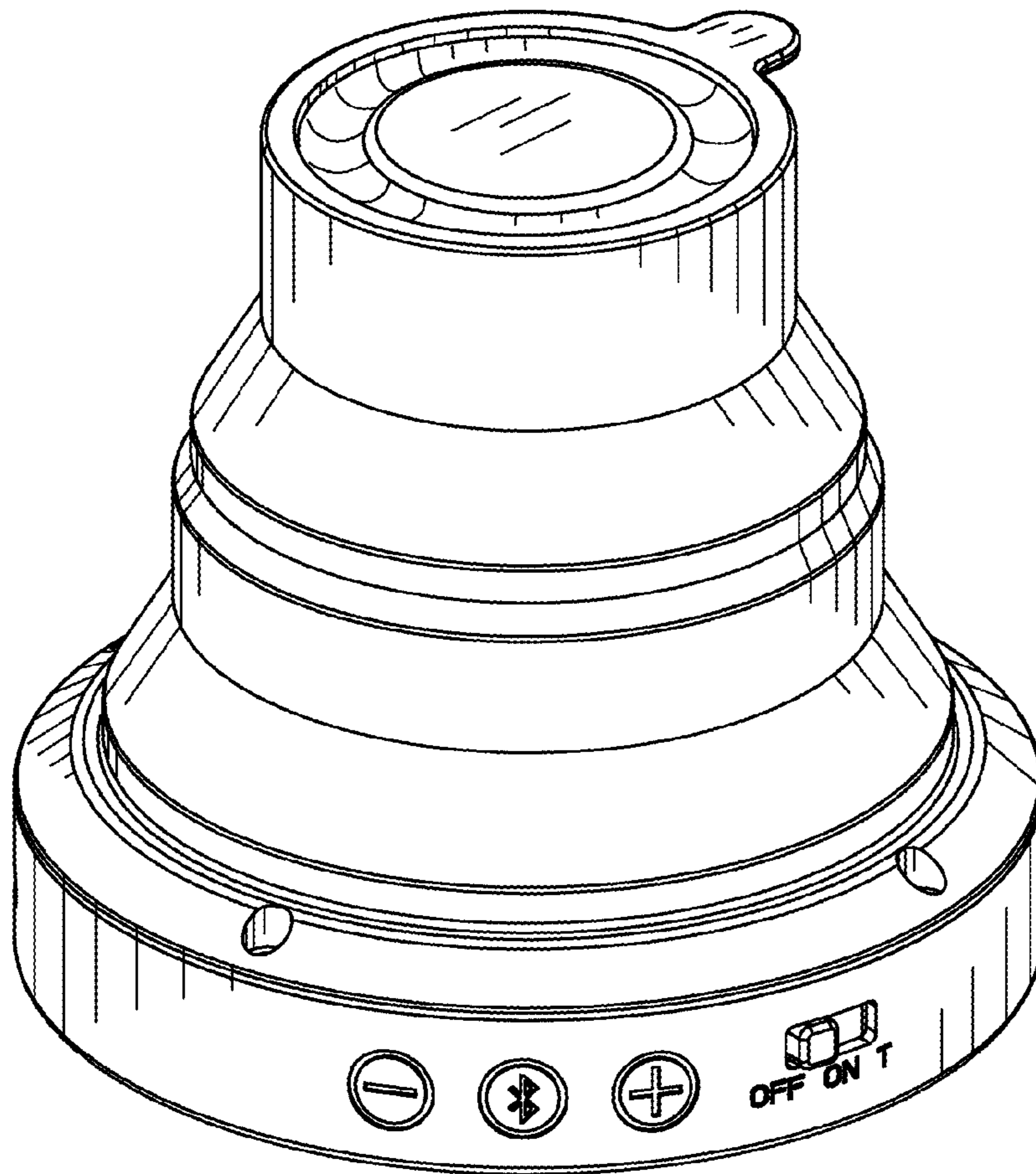


FIG. 1

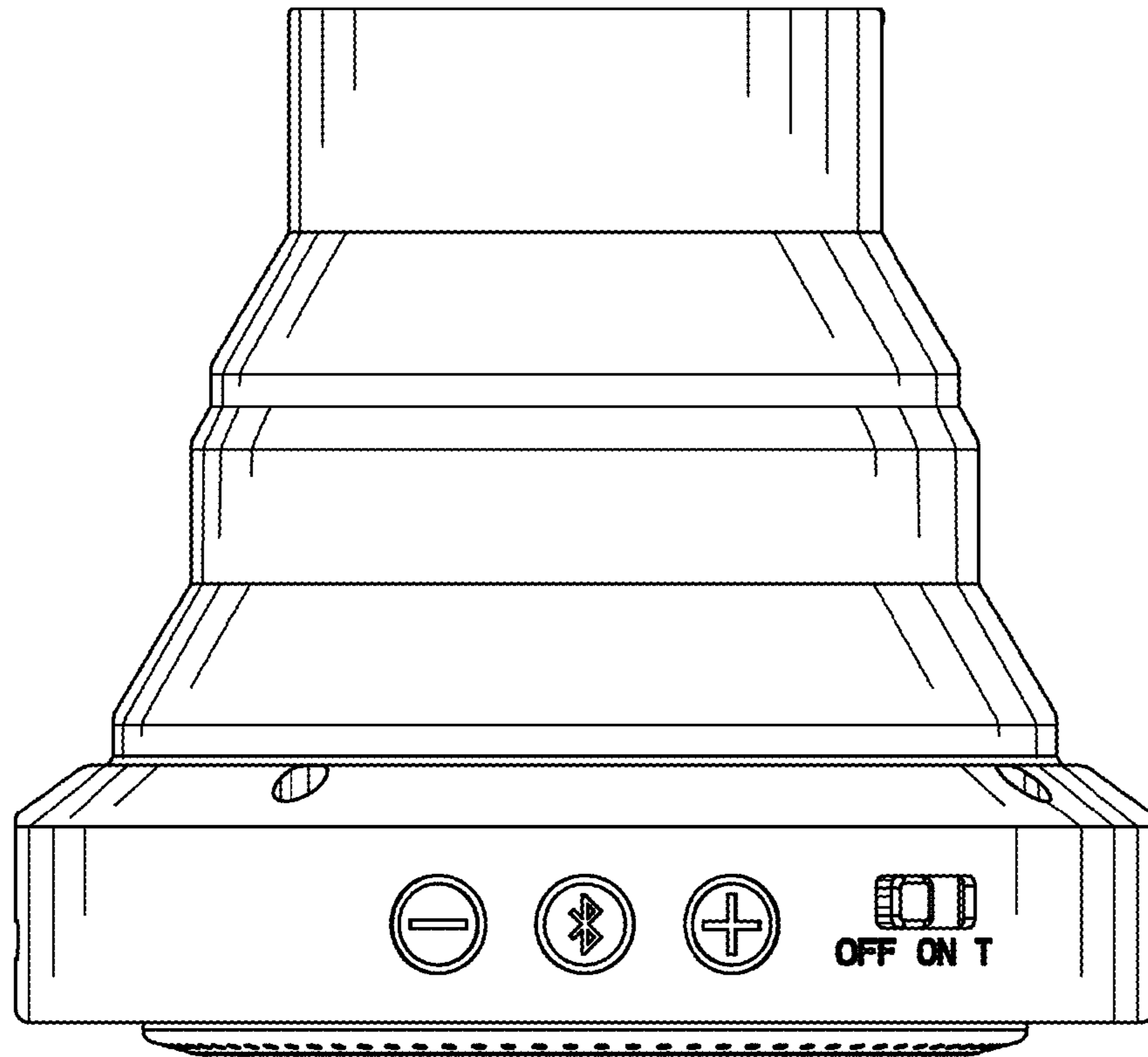


FIG. 2

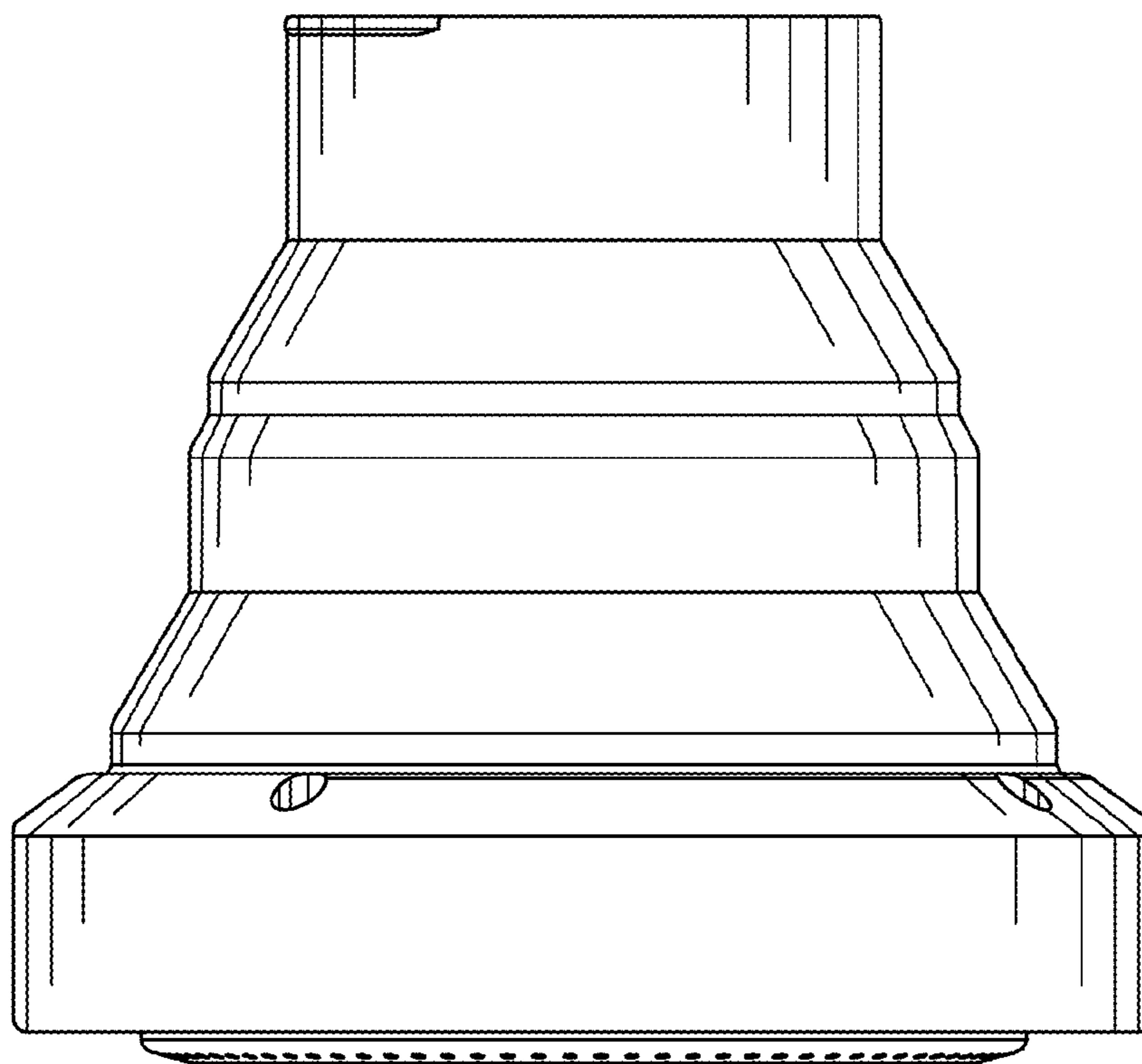


FIG. 3

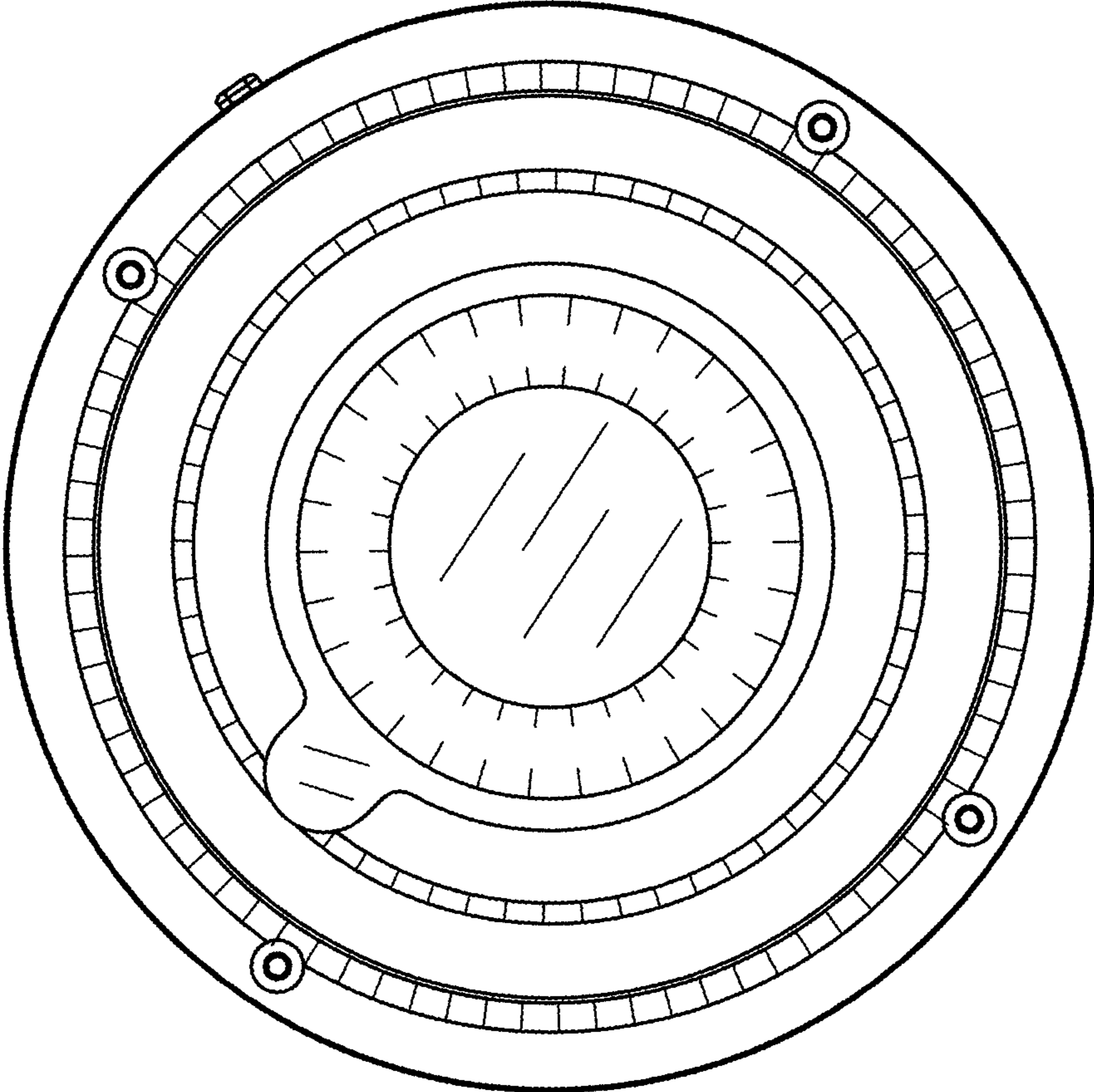


FIG. 4

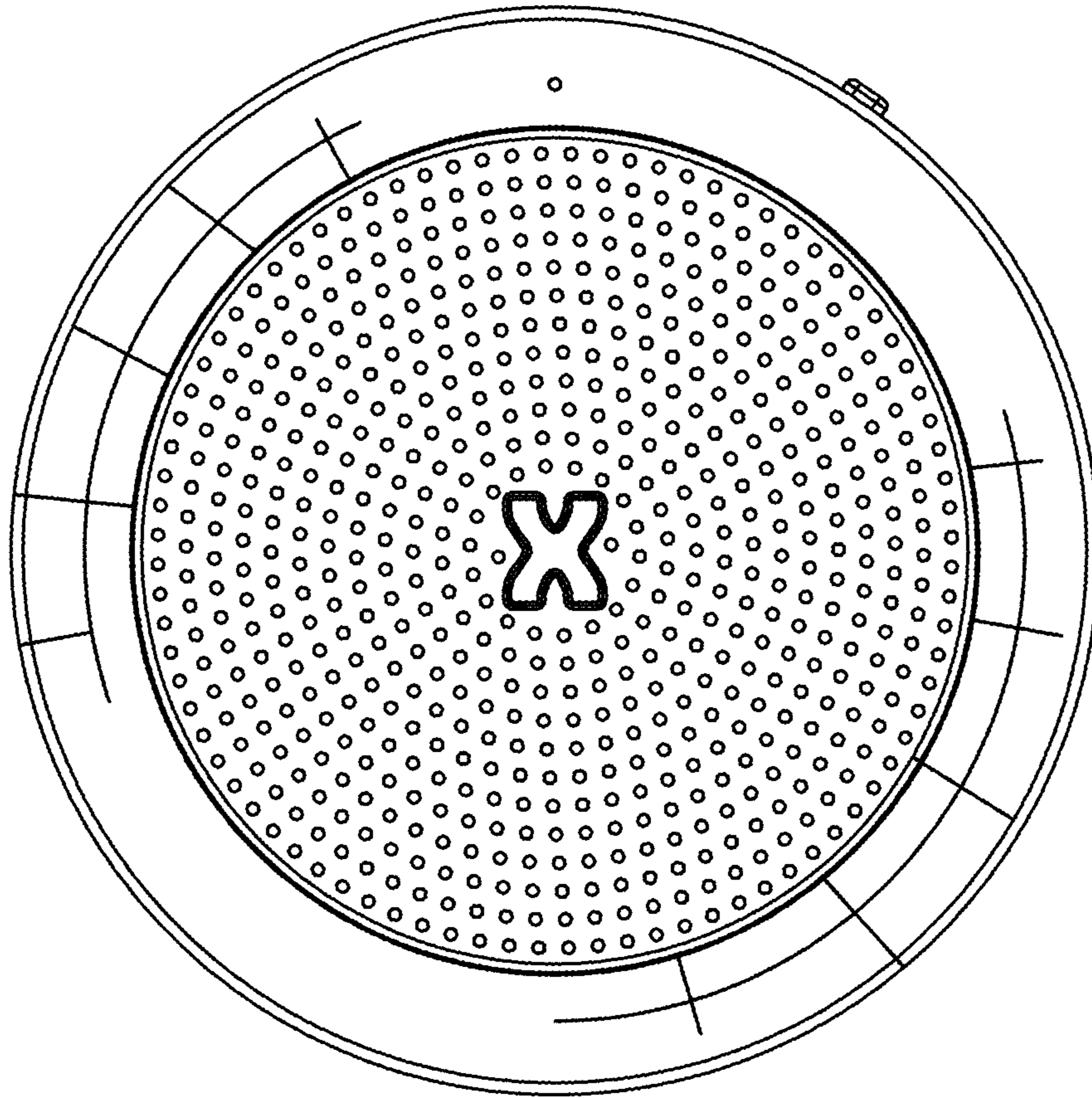


FIG. 5

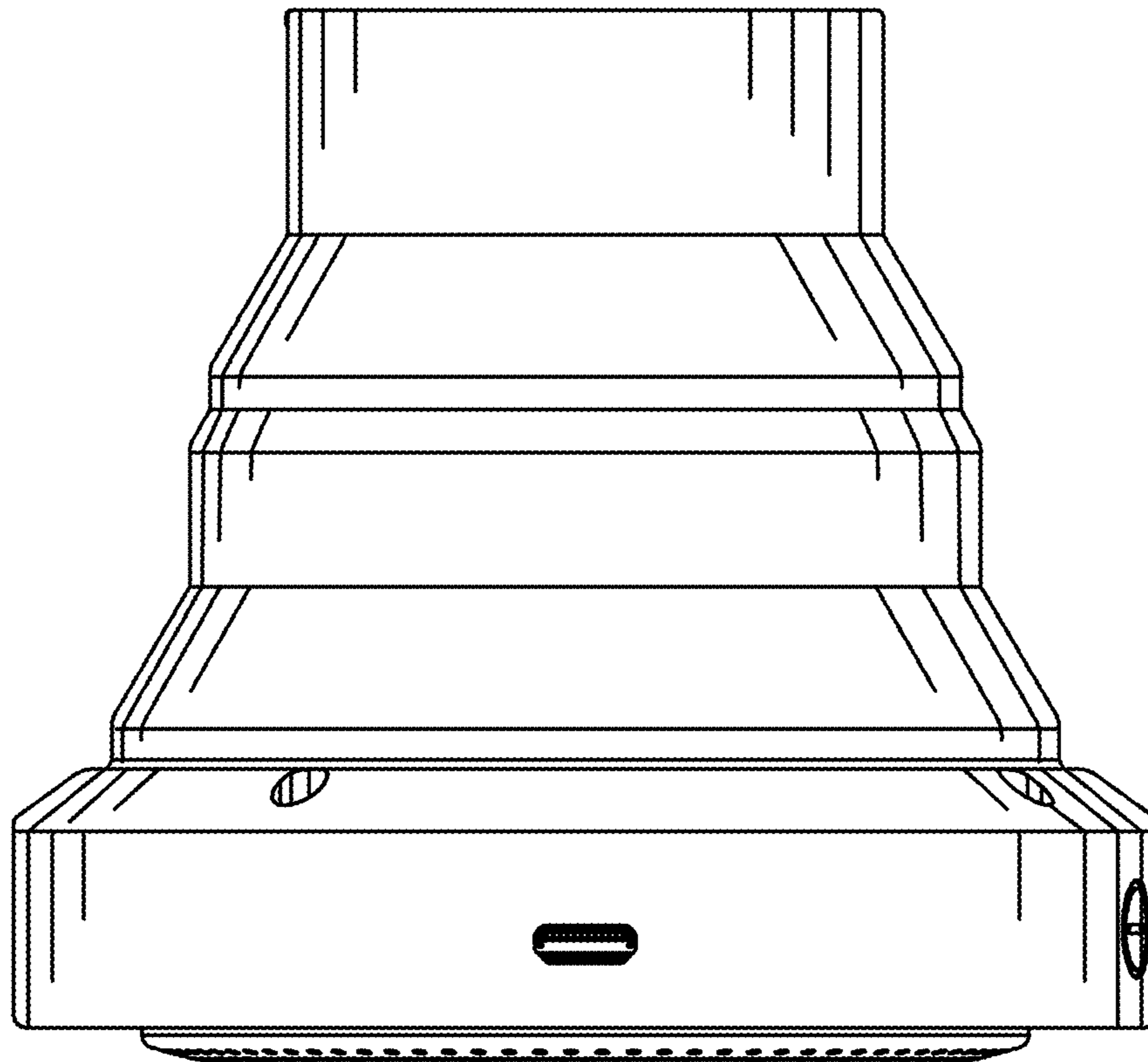


FIG. 6

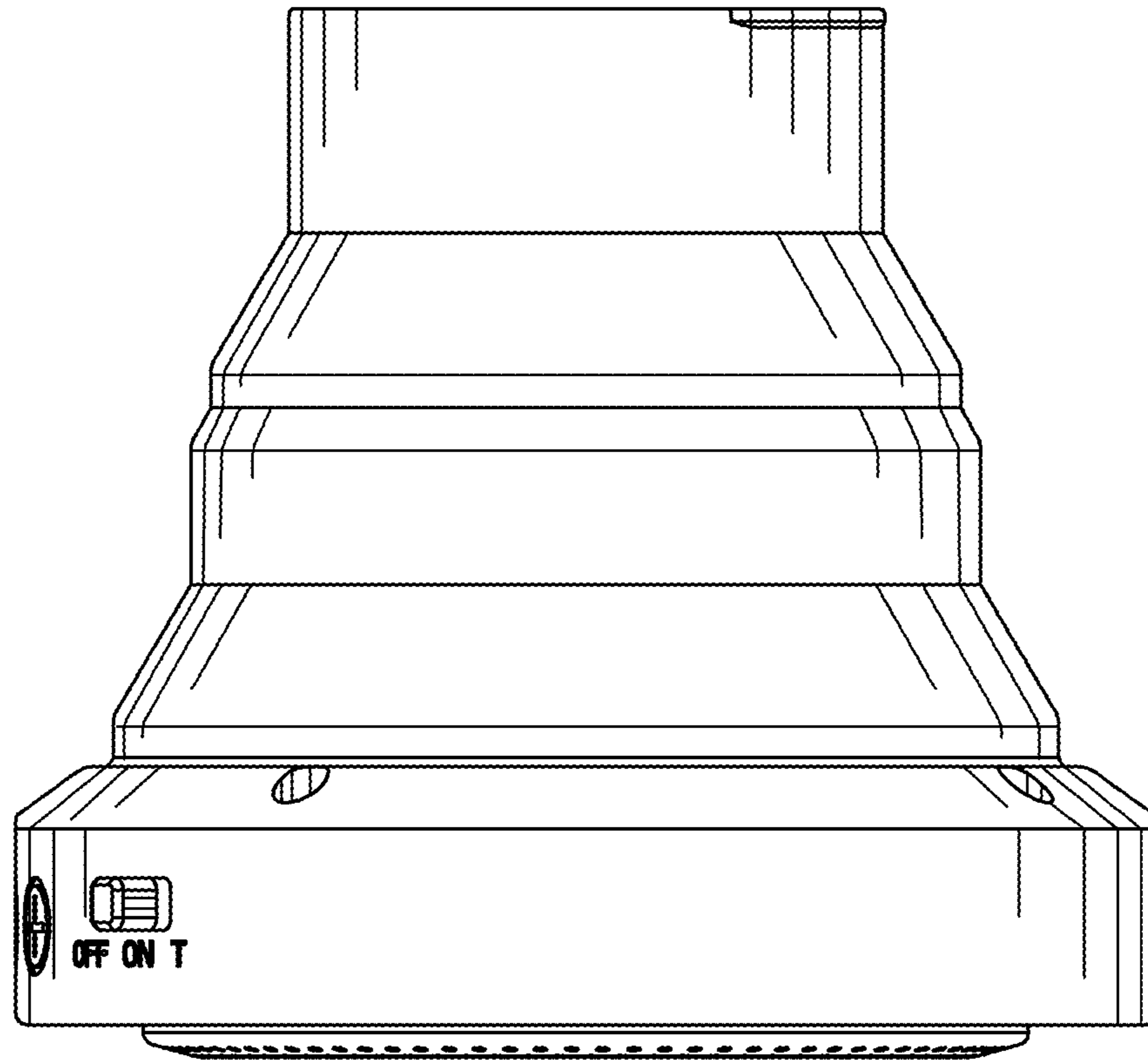


FIG. 7

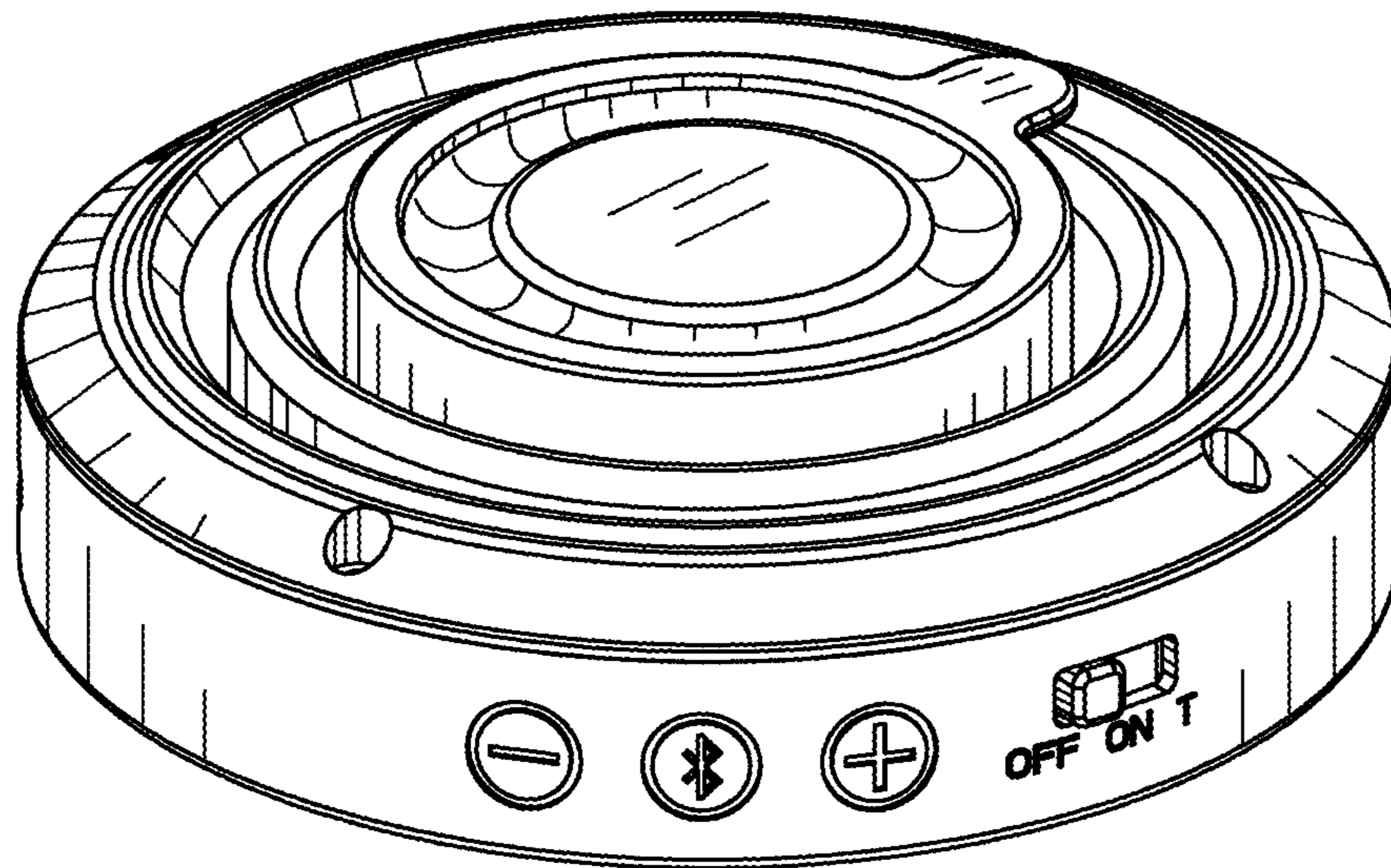


FIG. 8

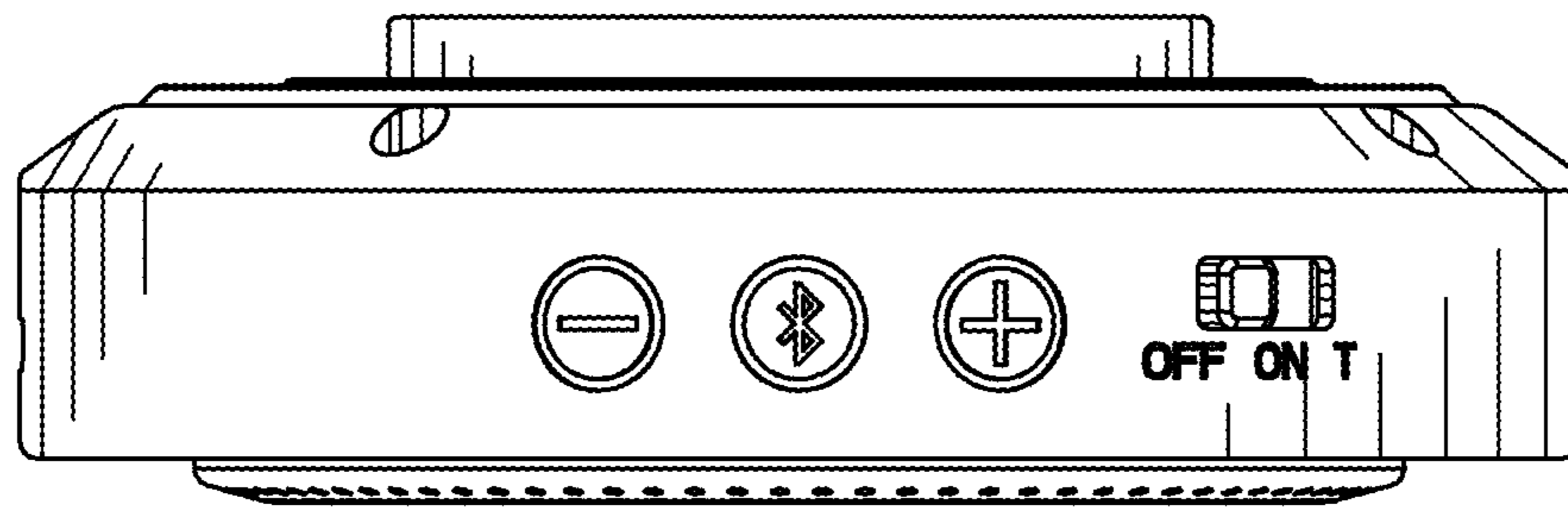


FIG. 9

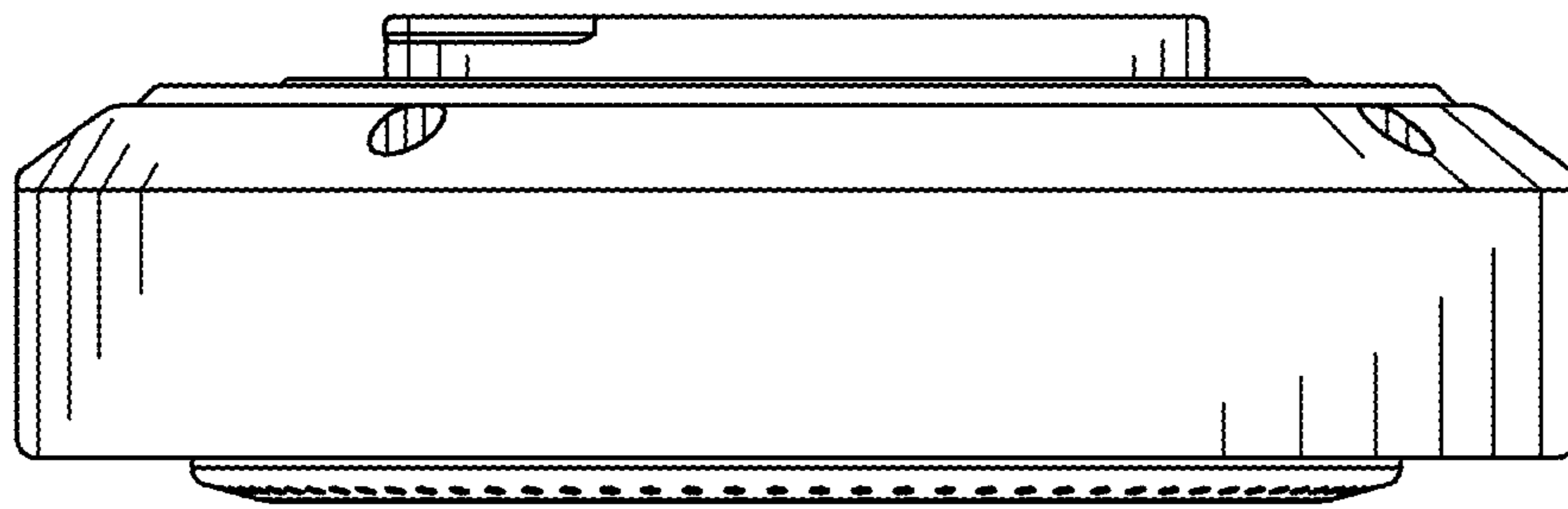


FIG. 10

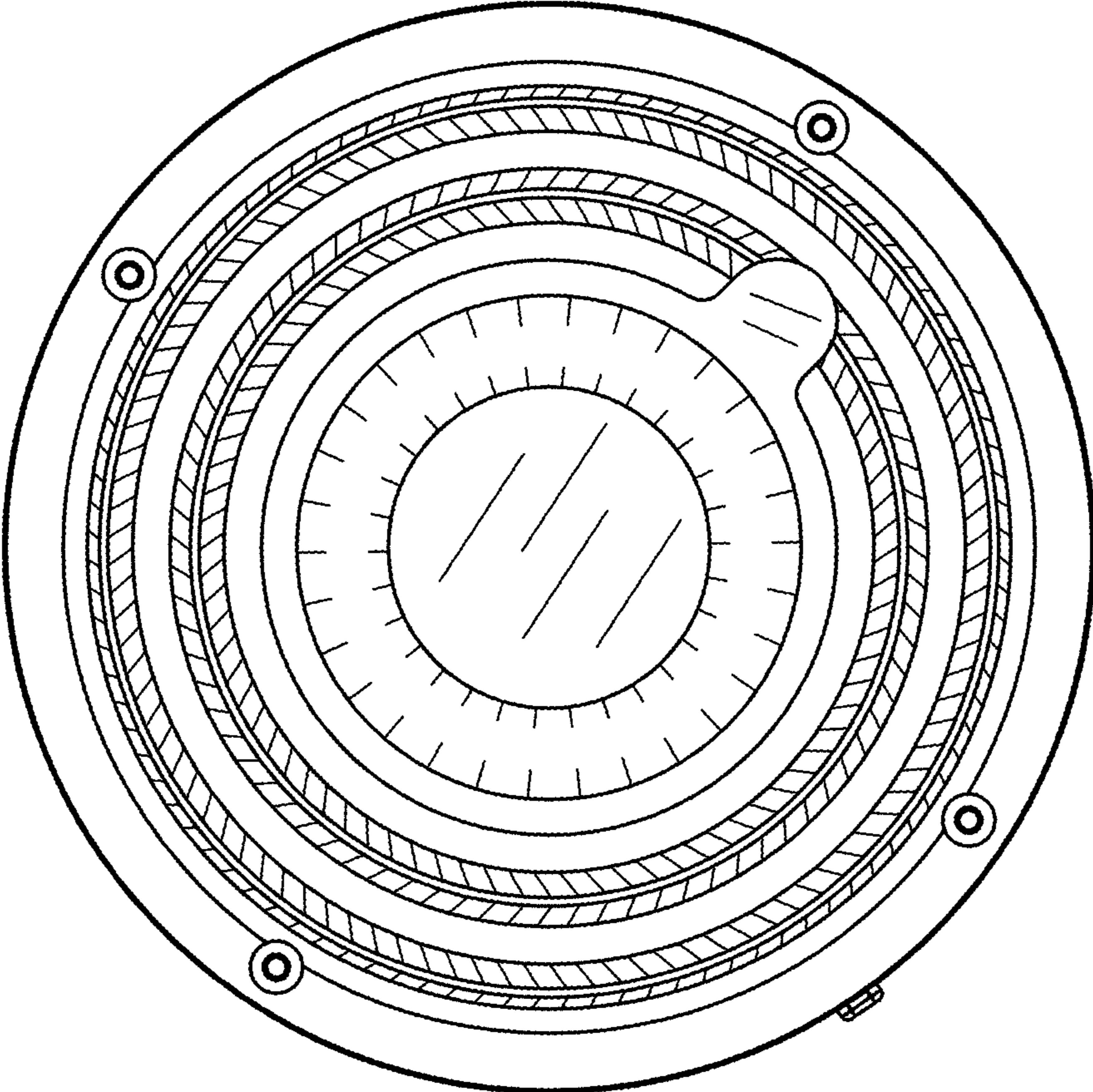


FIG. 11

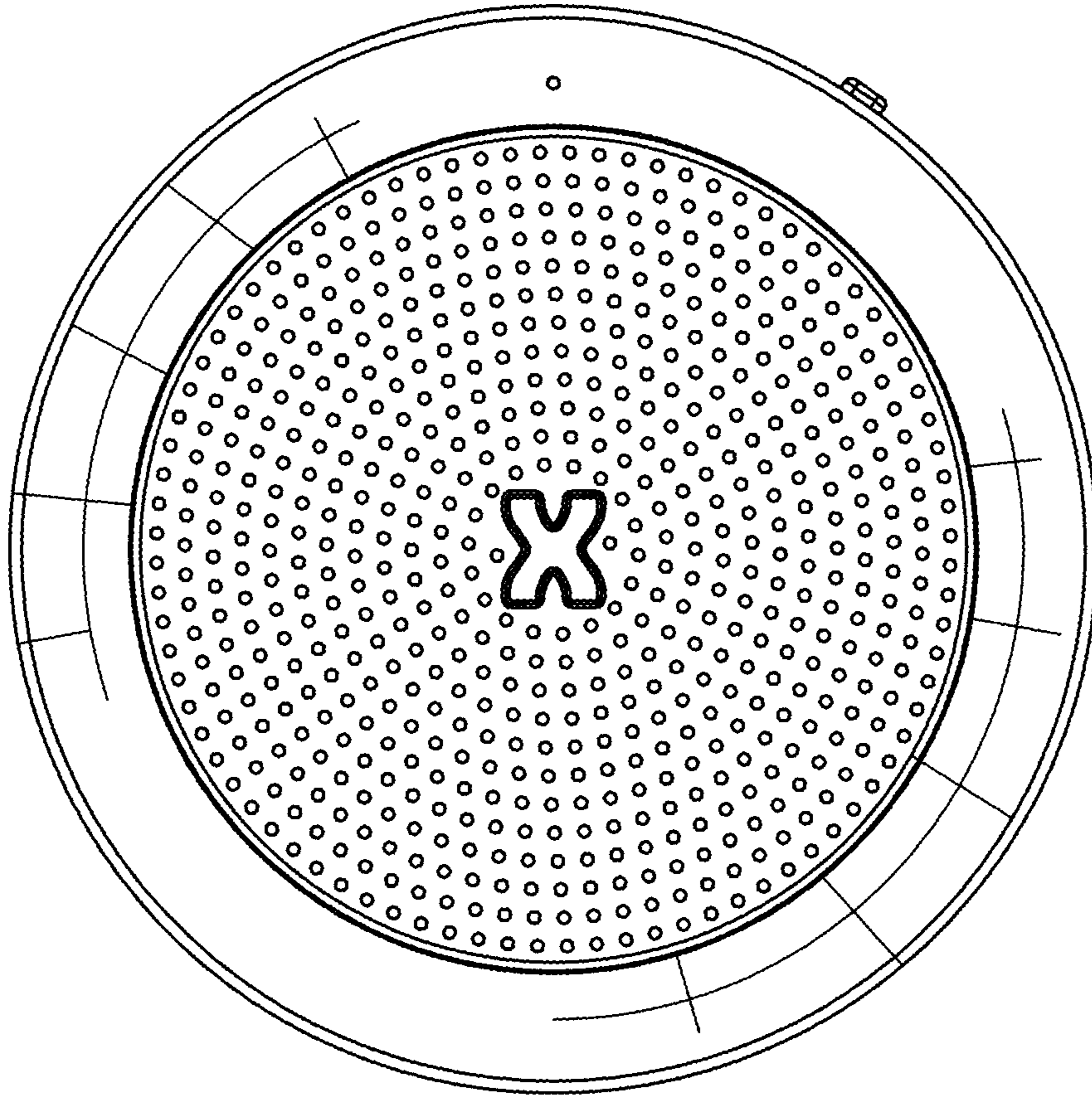


FIG. 12

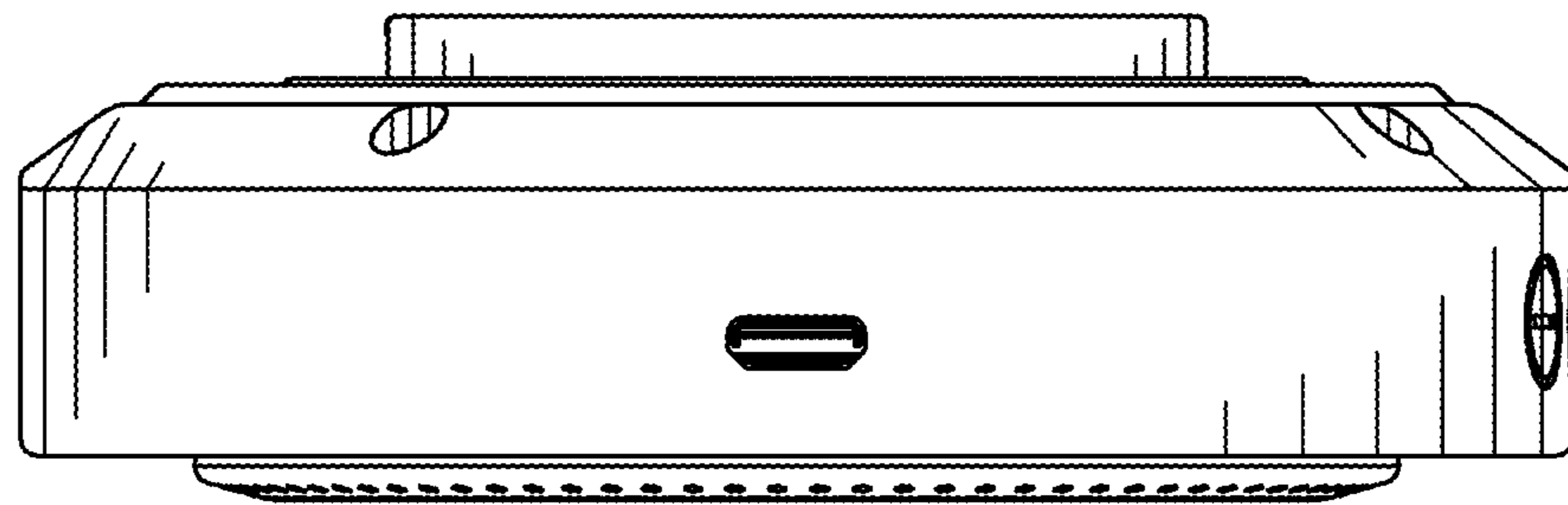


FIG. 13

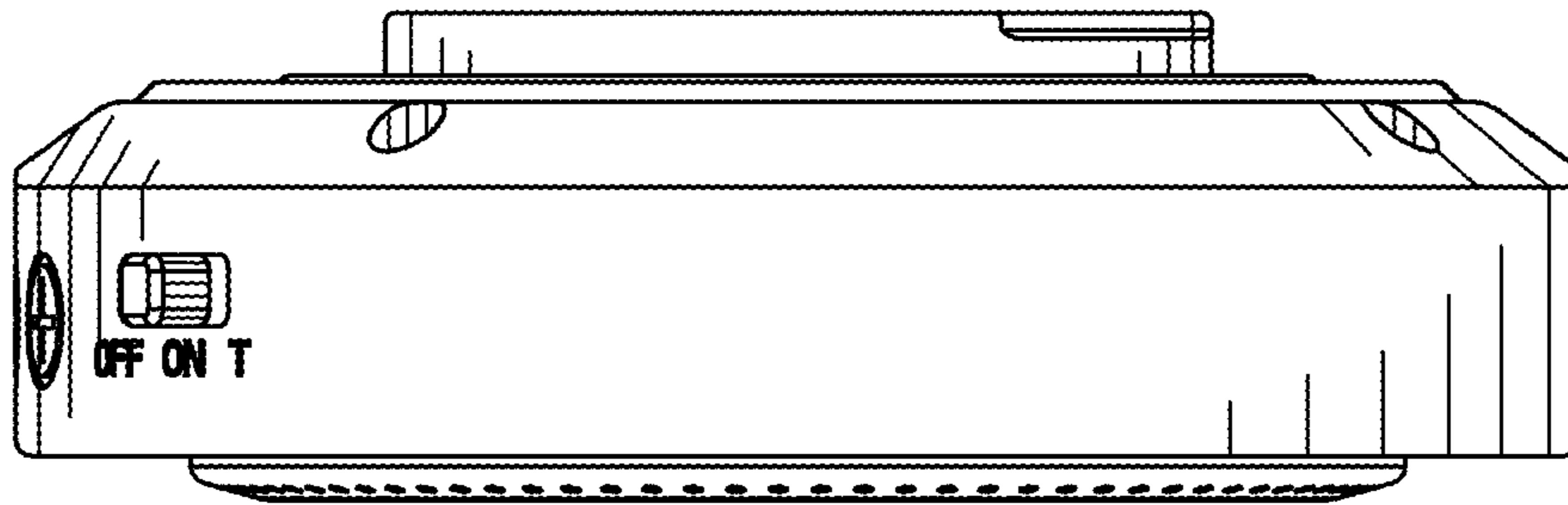


FIG. 14