



US00D728515S

(12) **United States Design Patent**
Lee et al.

(10) **Patent No.:** **US D728,515 S**
(45) **Date of Patent:** **** May 5, 2015**

(54) **AUDIO DEVICE WITH DOCKING STATION**

(56) **References Cited**

(71) Applicant: **Samsung Electronics Co., Ltd.**,
Suwon-si, Gyeonggi-do (KR)

(72) Inventors: **Jae neung Lee**, Ansan-si (KR); **Ji Gwang Kim**, Seoul (KR); **Joon soo Kim**, Seoul (KR)

(73) Assignee: **Samsung Electronics Co., Ltd.** (KR)

(**) Term: **14 Years**

(21) Appl. No.: **29/475,153**

(22) Filed: **Nov. 29, 2013**

(30) **Foreign Application Priority Data**

May 30, 2013 (KR) 30-2013-0028254

(51) **LOC (10) Cl.** **14-01**

(52) **U.S. Cl.**
USPC **D14/209.1**

(58) **Field of Classification Search**
CPC H04B 1/08; H04R 1/02; A47B 81/06
USPC D14/204, 204.1, 210–216, 172, 434,
D14/265, 188; 181/143, 144, 147, 148,
181/150–153, 157, 198, 199; 381/300–306,
381/332, 333, 336, 345, 361–364

See application file for complete search history.

U.S. PATENT DOCUMENTS

7,095,867	B2 *	8/2006	Schul et al.	381/334
D610,569	S *	2/2010	Fiebel et al.	D14/209.1
7,689,197	B2 *	3/2010	Laude et al.	455/344
D620,921	S *	8/2010	Skurdal	D14/209.1
D620,923	S *	8/2010	Orfali	D14/209.1
D639,271	S *	6/2011	Xiao	D14/209.1
D647,505	S *	10/2011	Skurdal	D14/209.1
D690,286	S *	9/2013	Petersen	D14/211
D692,808	S *	11/2013	Morioka	D12/169

* cited by examiner

Primary Examiner — Prabhakar Deshmukh

(74) *Attorney, Agent, or Firm* — Cantor Colburn LLP

(57) **CLAIM**

We claim, the ornamental design for an audio device with docking station, as shown and described.

DESCRIPTION

FIG. 1 is a front perspective view of an audio device with docking station showing our new design; FIG. 2 is a front view thereof; FIG. 3 is a rear view thereof; FIG. 4 is a side view thereof; FIG. 5 is another side view thereof; FIG. 6 is a top plan view thereof; FIG. 7 is a bottom plan view thereof; and, FIG. 8 is another front perspective view of the audio device with docking station illustrates an exemplary environment. The broken lines are for environmental purposes only and form no part of the claimed design.

1 Claim, 8 Drawing Sheets

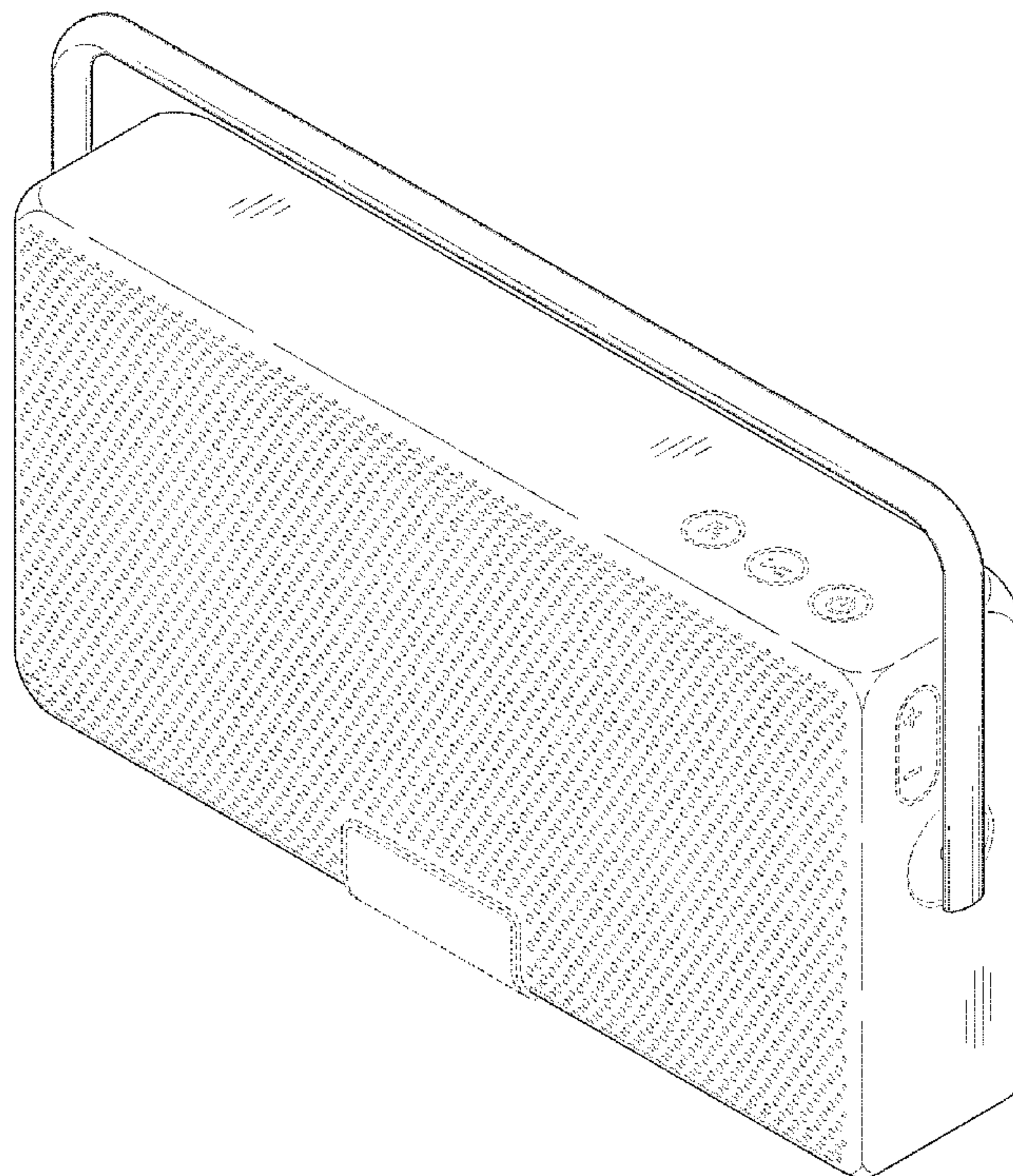


FIG. 1

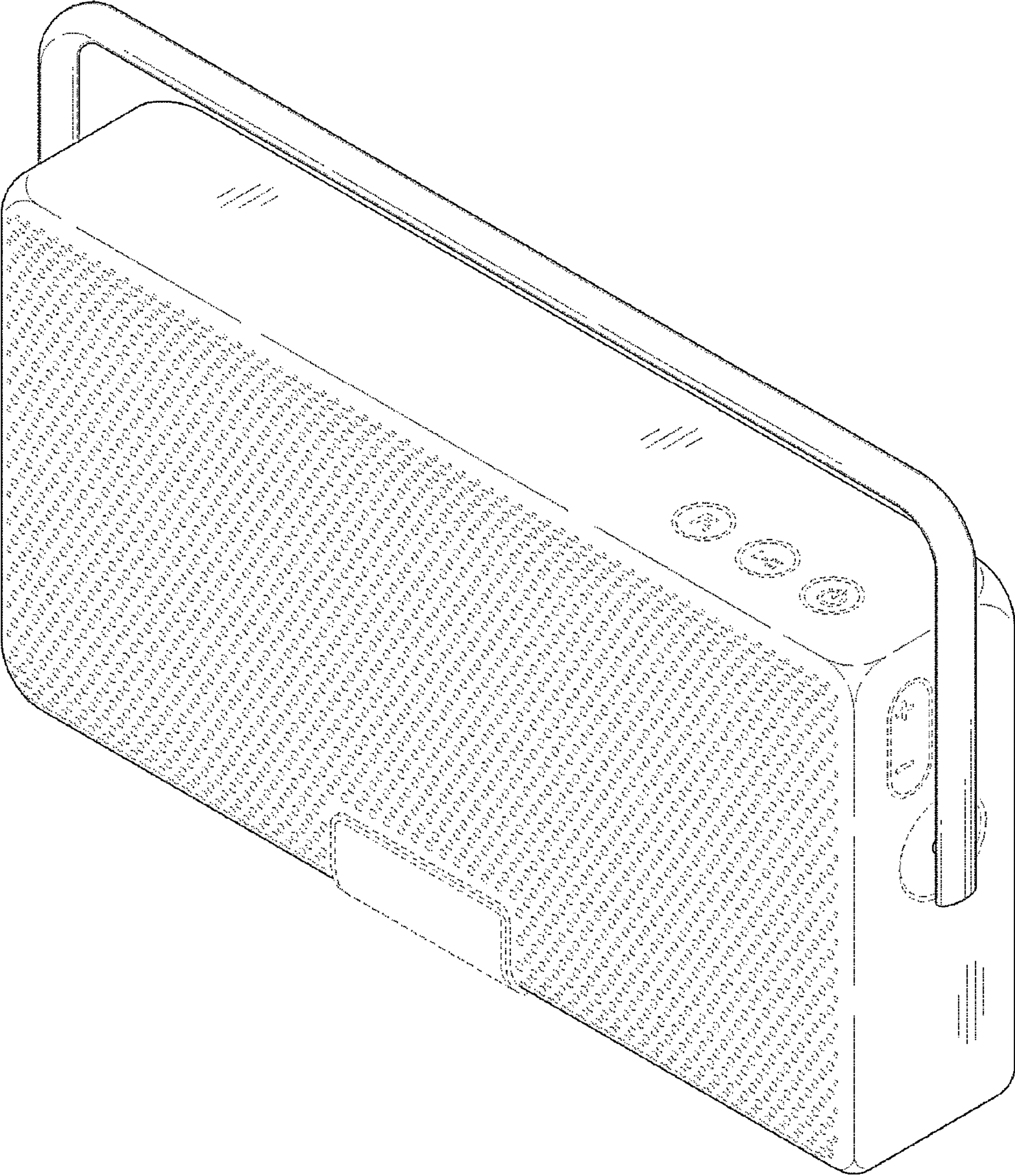


FIG.2

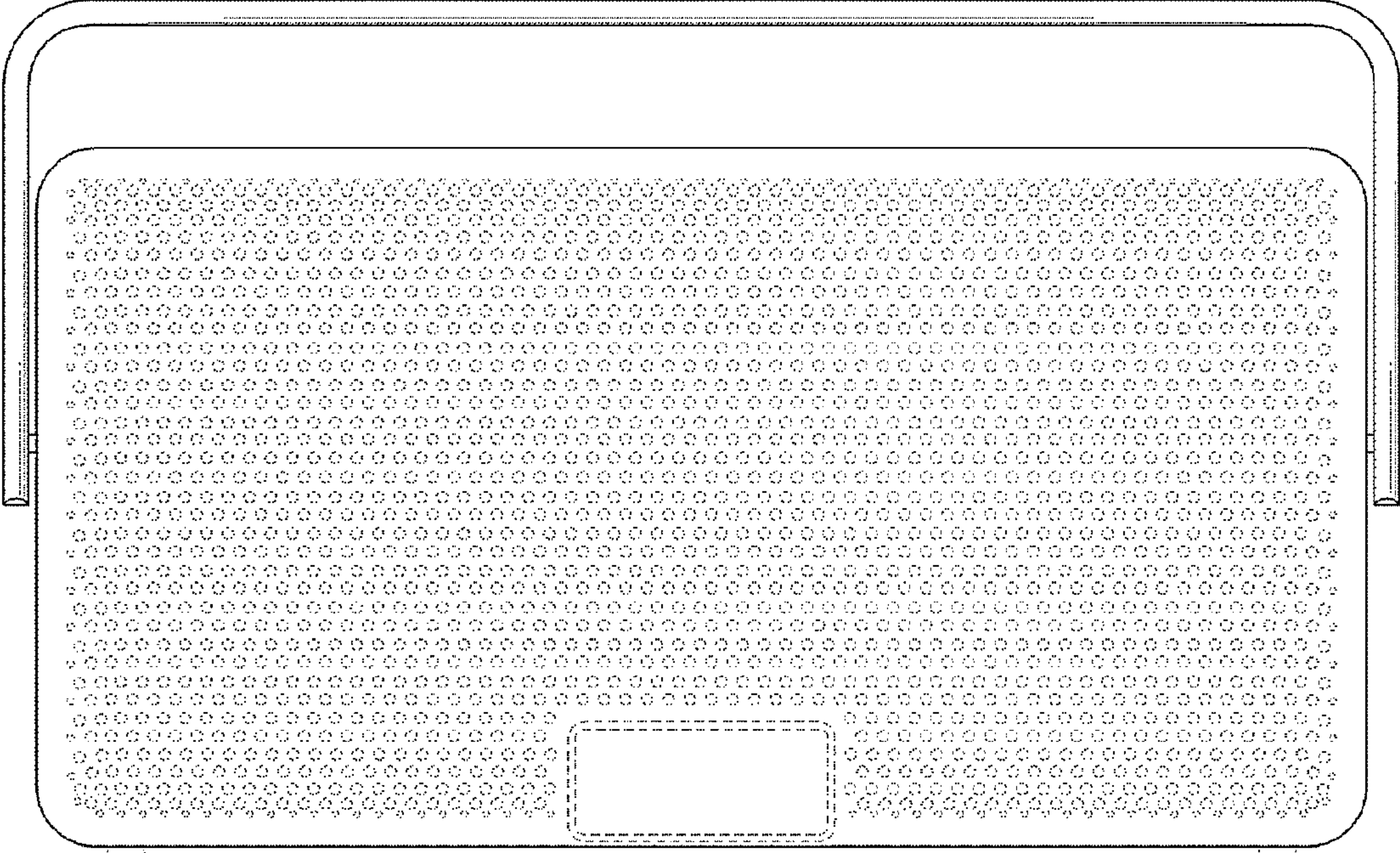


FIG.3

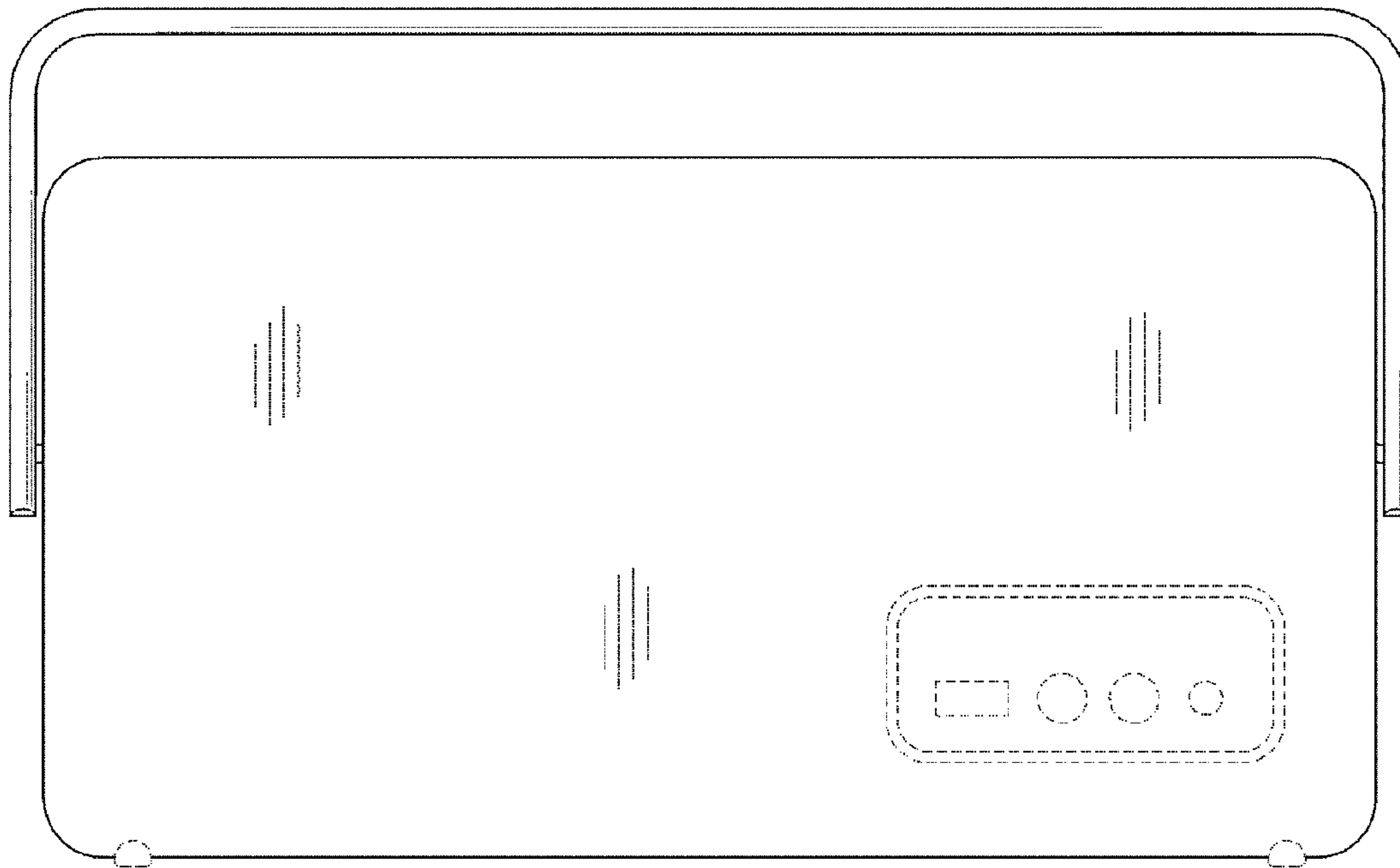


FIG.4

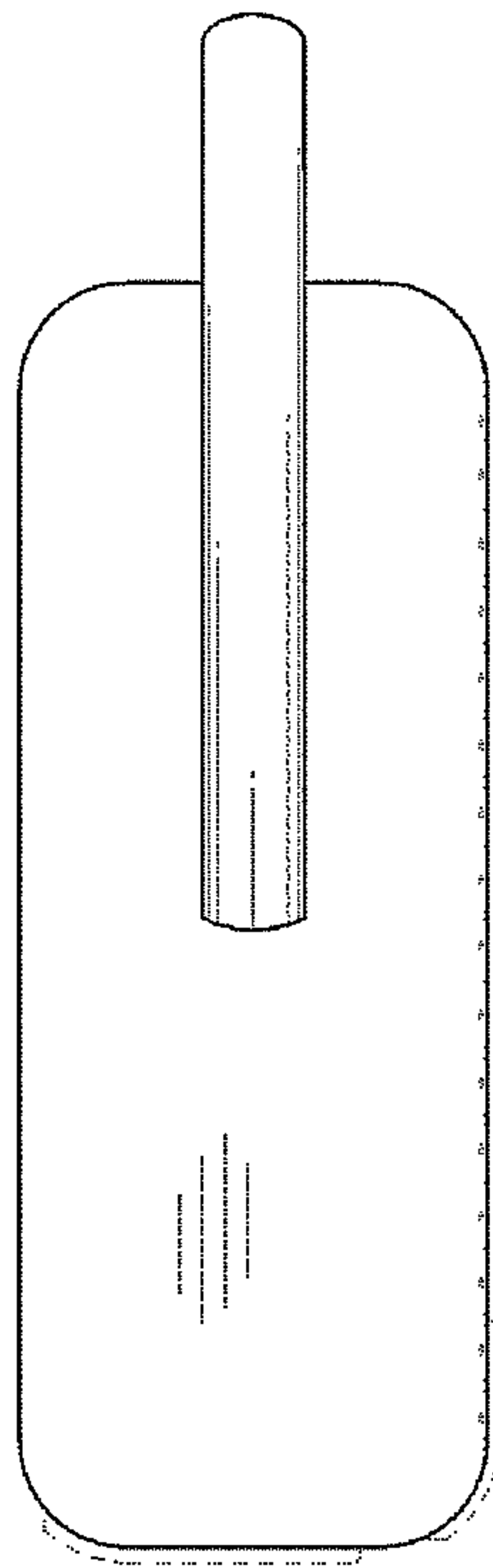


FIG.5

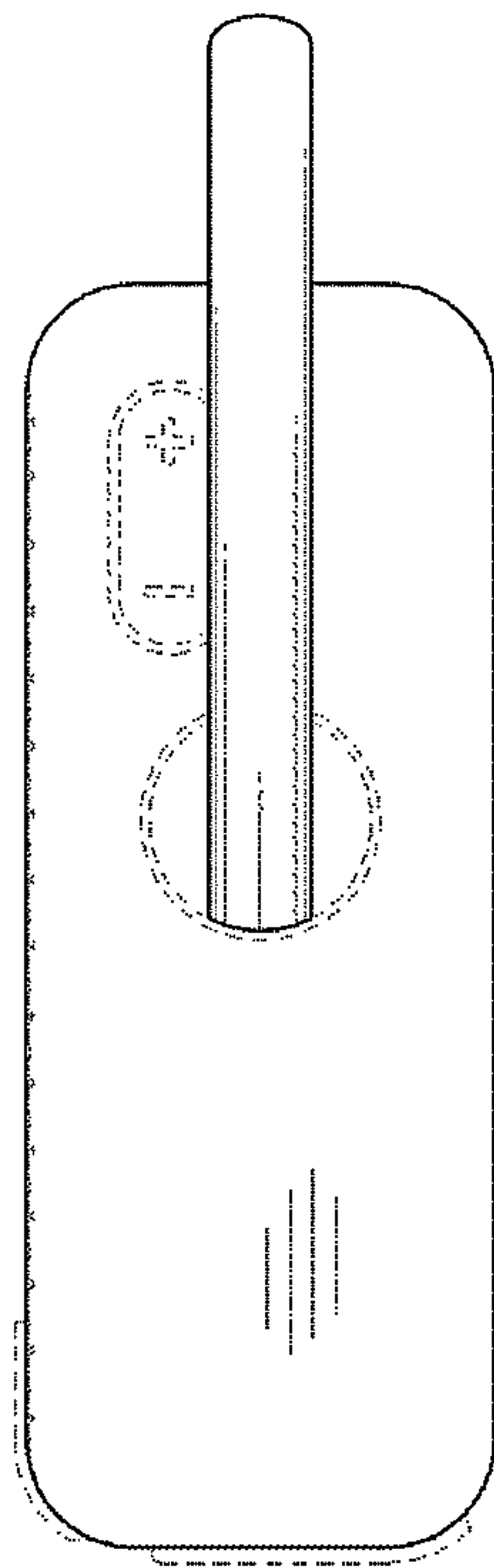


FIG.6

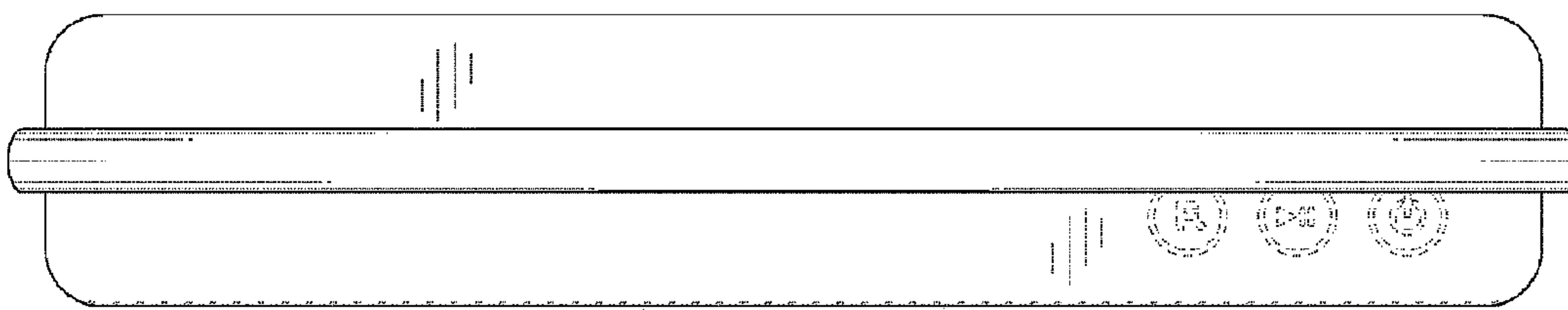


FIG.7

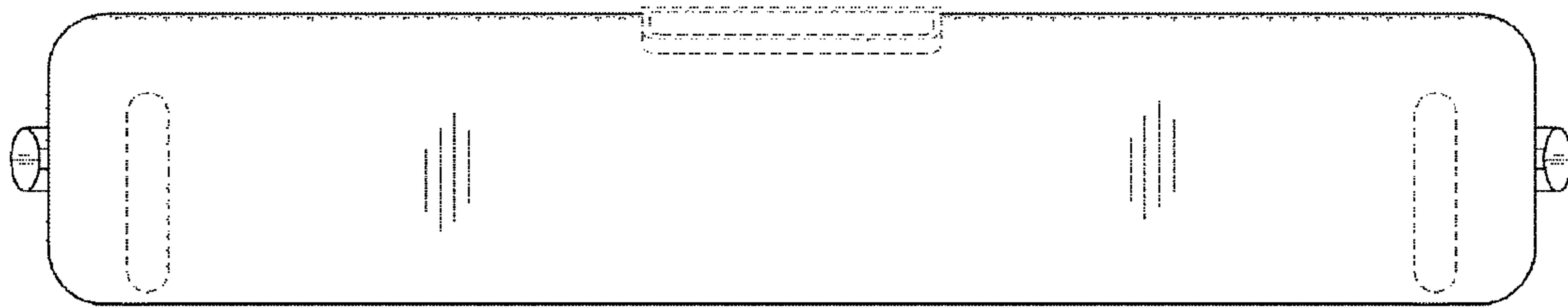


FIG.8

