



US00D728512S

(12) **United States Design Patent**
Nakagawa

(10) **Patent No.:** **US D728,512 S**
(45) **Date of Patent:** **** May 5, 2015**

(54) **HEADPHONES**

(71) Applicant: **Panasonic Corporation**, Osaka (JP)

(72) Inventor: **Hitoshi Nakagawa**, Osaka (JP)

(73) Assignee: **Panasonic Intellectual Property Management Co., Ltd.**, Osaka (JP)

(**) Term: **14 Years**

(21) Appl. No.: **29/491,028**

(22) Filed: **May 15, 2014**

(30) **Foreign Application Priority Data**

Mar. 10, 2014 (JP) 2014-004924
Mar. 10, 2014 (JP) 2014-004925

(51) **LOC (10) Cl.** **14-01**

(52) **U.S. Cl.**
USPC **D14/205**

(58) **Field of Classification Search**
CPC H04R 25/00
USPC D14/205; D29/112; 181/129, 130, 135;
379/430, 431; 381/380, 381; 455/90.3,
455/575.1; 2/209, 423, 425
See application file for complete search history.

(56) **References Cited**

U.S. PATENT DOCUMENTS

2,782,423 A * 2/1957 Simon et al. 2/209
3,512,088 A * 5/1970 Ross 455/149
D235,210 S * 5/1975 Hill D14/205
3,943,574 A * 3/1976 Yamaguchi et al. 2/9
D246,259 S * 11/1977 Nishimura et al. D14/205
D246,519 S * 11/1977 Kato D14/205
D254,183 S * 2/1980 Doodson D14/205
4,409,442 A * 10/1983 Kamimura 381/383
4,471,496 A * 9/1984 Gardner et al. 2/209
5,018,599 A * 5/1991 Dohi et al. 181/129
D345,163 S * 3/1994 Yamatogi D14/205

D358,389 S * 5/1995 Isono D14/205
D409,197 S * 5/1999 Nakamura D14/205
D410,466 S * 6/1999 Mouri D14/205
D420,356 S * 2/2000 Suzuki D14/205
6,081,604 A * 6/2000 Hikichi et al. 381/371
D435,249 S * 12/2000 Yasutomi D14/205
6,263,085 B1 * 7/2001 Weffer 381/371
6,392,196 B1 * 5/2002 Lin 219/211
D467,580 S * 12/2002 Mori D14/223
6,654,966 B2 * 12/2003 Rolla 2/209
D510,335 S * 10/2005 Suzuki D14/205
7,172,052 B2 * 2/2007 Lenhard-Backhaus 181/129
D538,261 S * 3/2007 Taylor et al. D14/205
D552,077 S * 10/2007 Brunner et al. D14/205
D567,215 S * 4/2008 Lee D14/205
7,388,960 B2 * 6/2008 Kuo et al. 381/186

(Continued)

FOREIGN PATENT DOCUMENTS

JP D1445939 7/2012

Primary Examiner — Paula Greene

(74) *Attorney, Agent, or Firm* — Panasonic Patent Center

(57) **CLAIM**

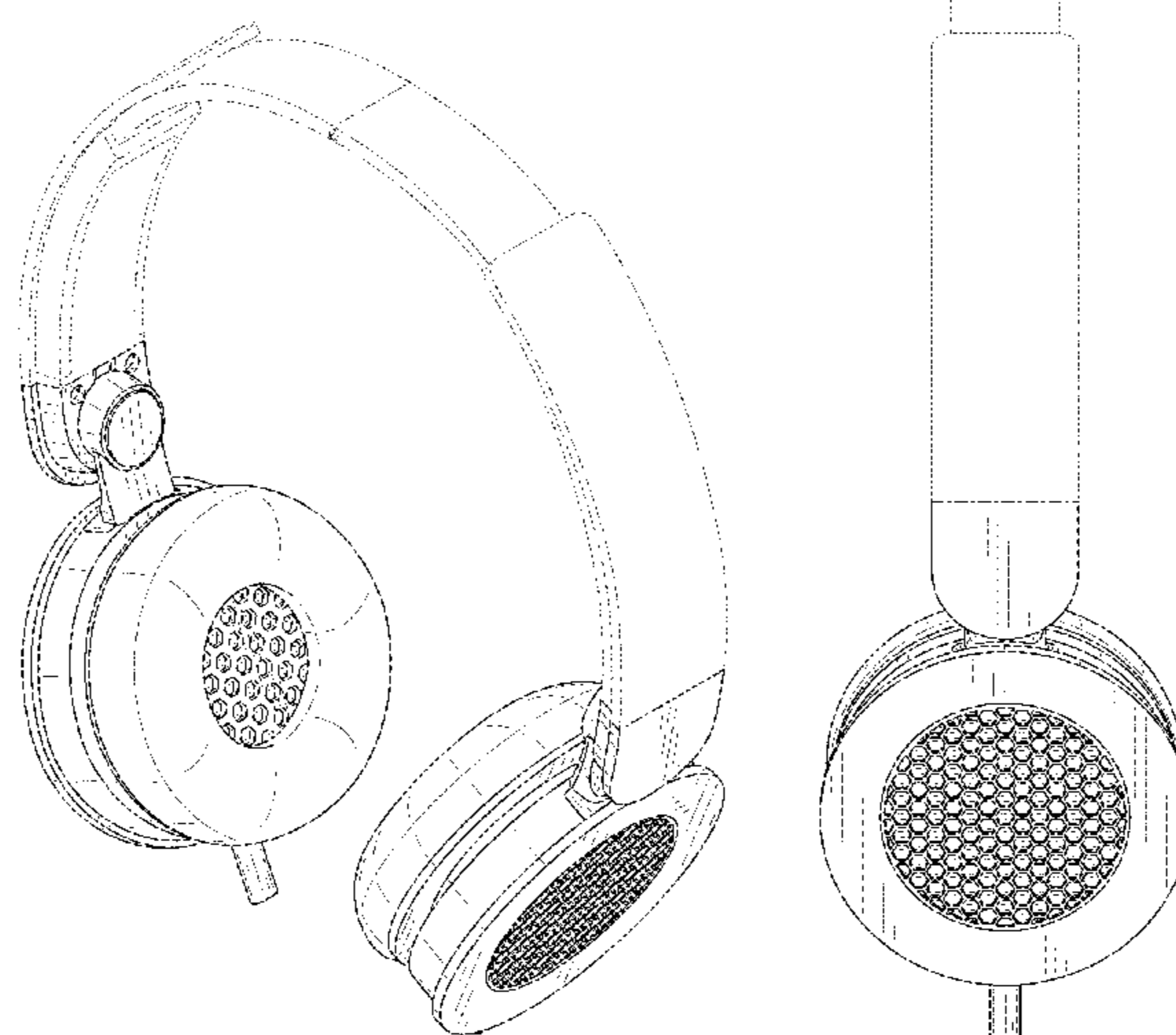
I claim the ornamental design for headphones, as shown and described.

DESCRIPTION

FIG. 1 is a front perspective view of a first embodiment of headphones of the present invention;
FIG. 2 is a front view thereof;
FIG. 3 is a rear view thereof;
FIG. 4 is a first side view thereof;
FIG. 5 is a second side view thereof;
FIG. 6 is a top view thereof; and,
FIG. 7 is a bottom view thereof.

The broken line showing of headphones is included for the purpose of illustrating environment and forms no part of the claimed design. Additionally, the unevenly broken lines in the drawings define the limits of the claimed design.

1 Claim, 7 Drawing Sheets



(56)

References Cited

U.S. PATENT DOCUMENTS

D603,370 S * 11/2009 Suzuki D14/205
D632,668 S * 2/2011 Brunner et al. D14/205
D637,176 S * 5/2011 Brunner et al. D14/205
D657,344 S * 4/2012 Brunner et al. D14/205
D673,519 S * 1/2013 Tan D14/205

D673,520 S * 1/2013 Tan D14/205
D683,329 S 5/2013 Hagelin
D692,853 S * 11/2013 Nokuo D14/205
D696,226 S * 12/2013 Brunner et al. D14/205
D704,163 S * 5/2014 Brunner et al. D14/205
D707,200 S * 6/2014 Yang D14/205
D722,302 S * 2/2015 Lee et al. D14/205

* cited by examiner

FIG. 1

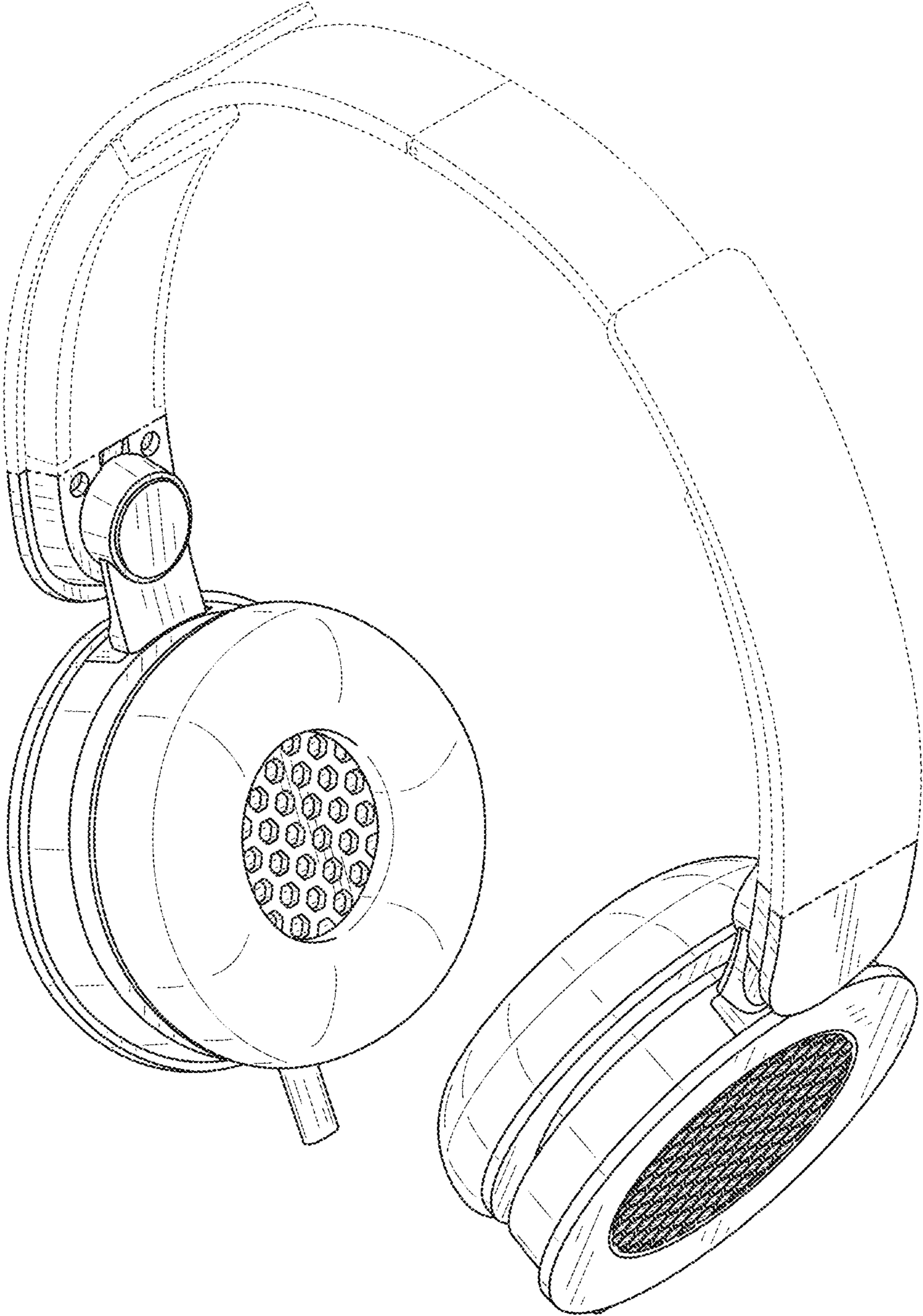


FIG. 2

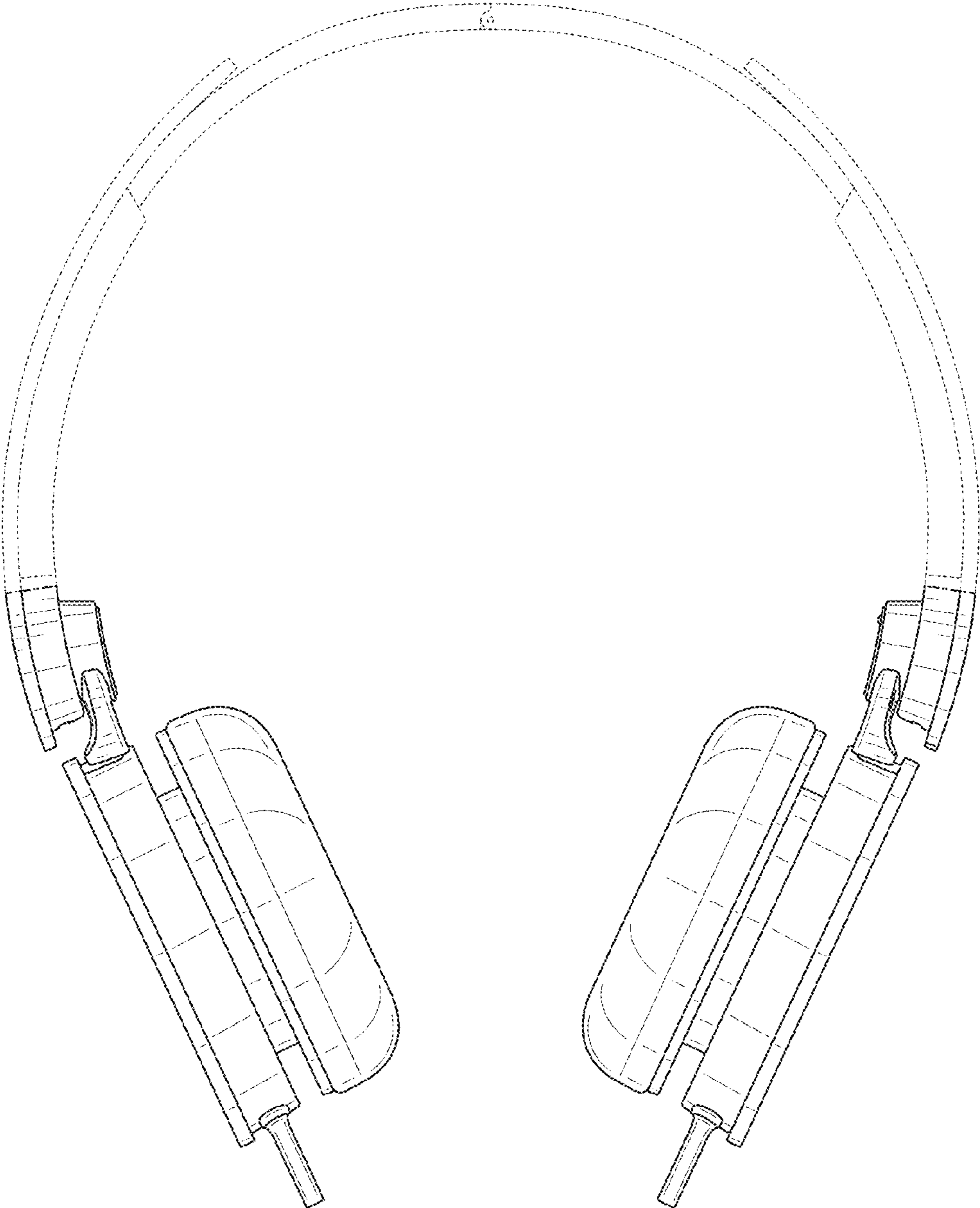


FIG. 3

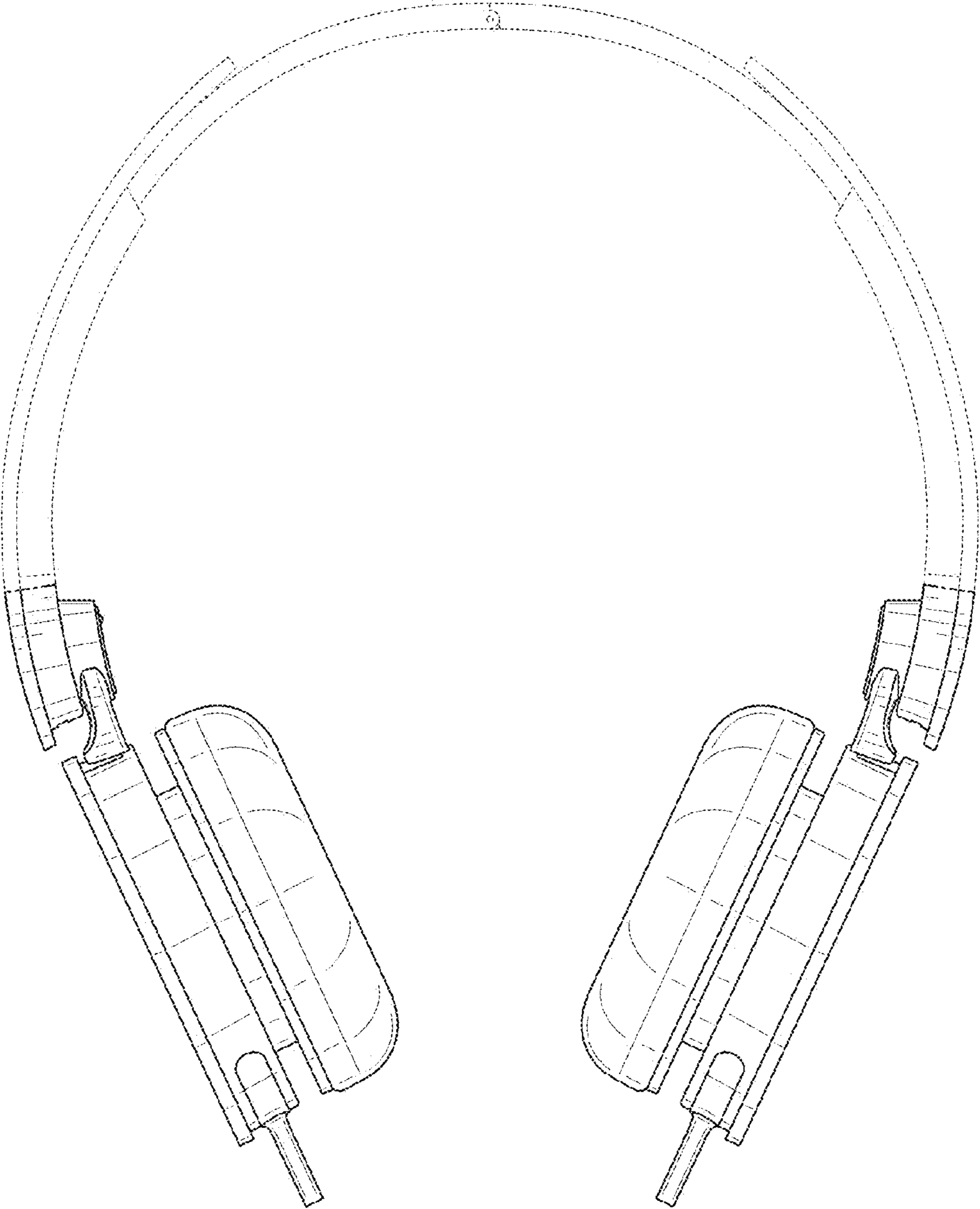


FIG. 4

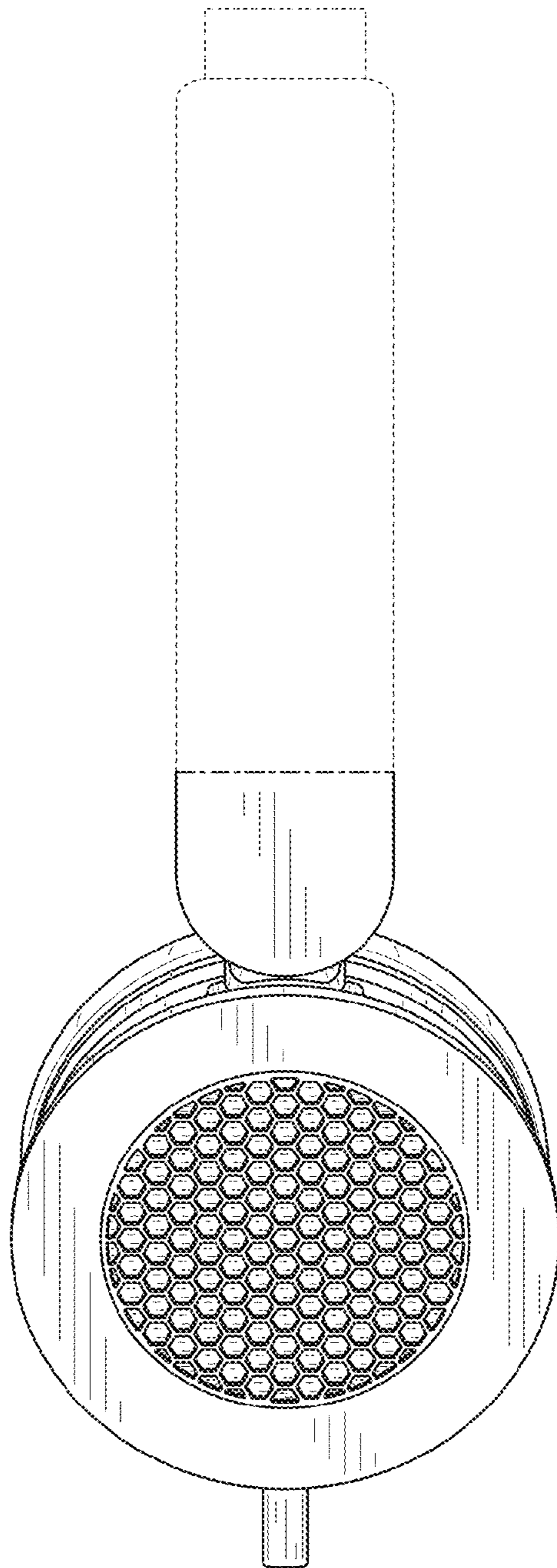


FIG. 5

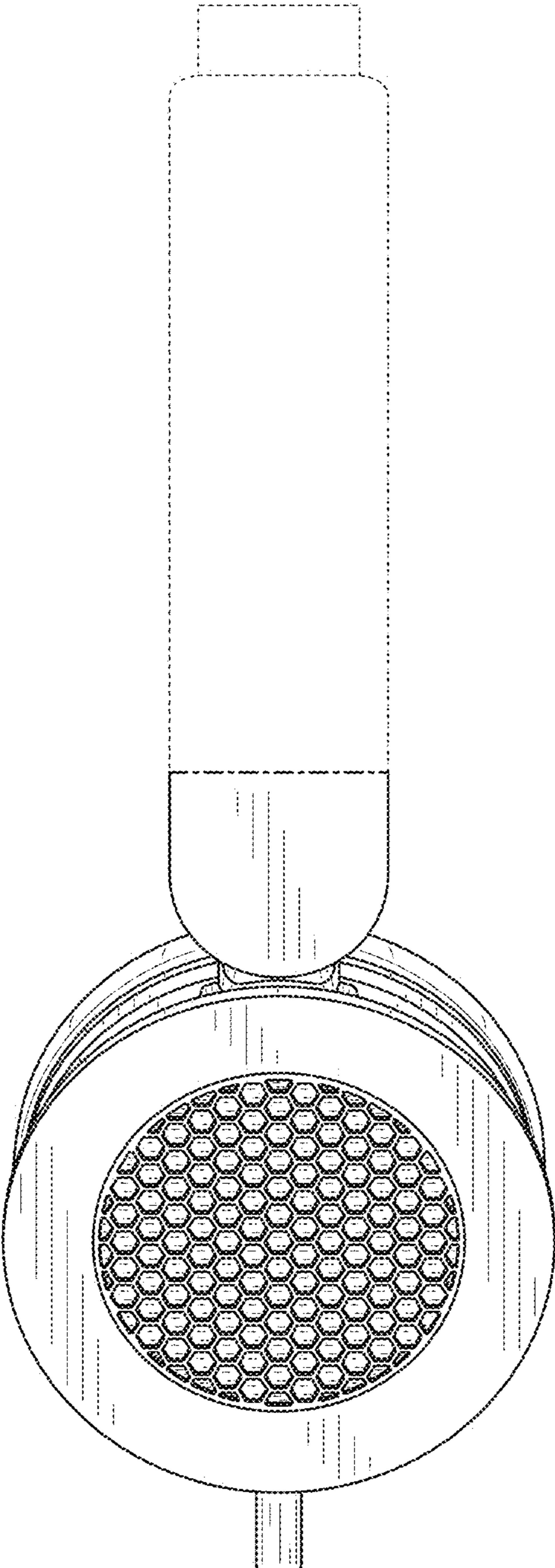


FIG. 6

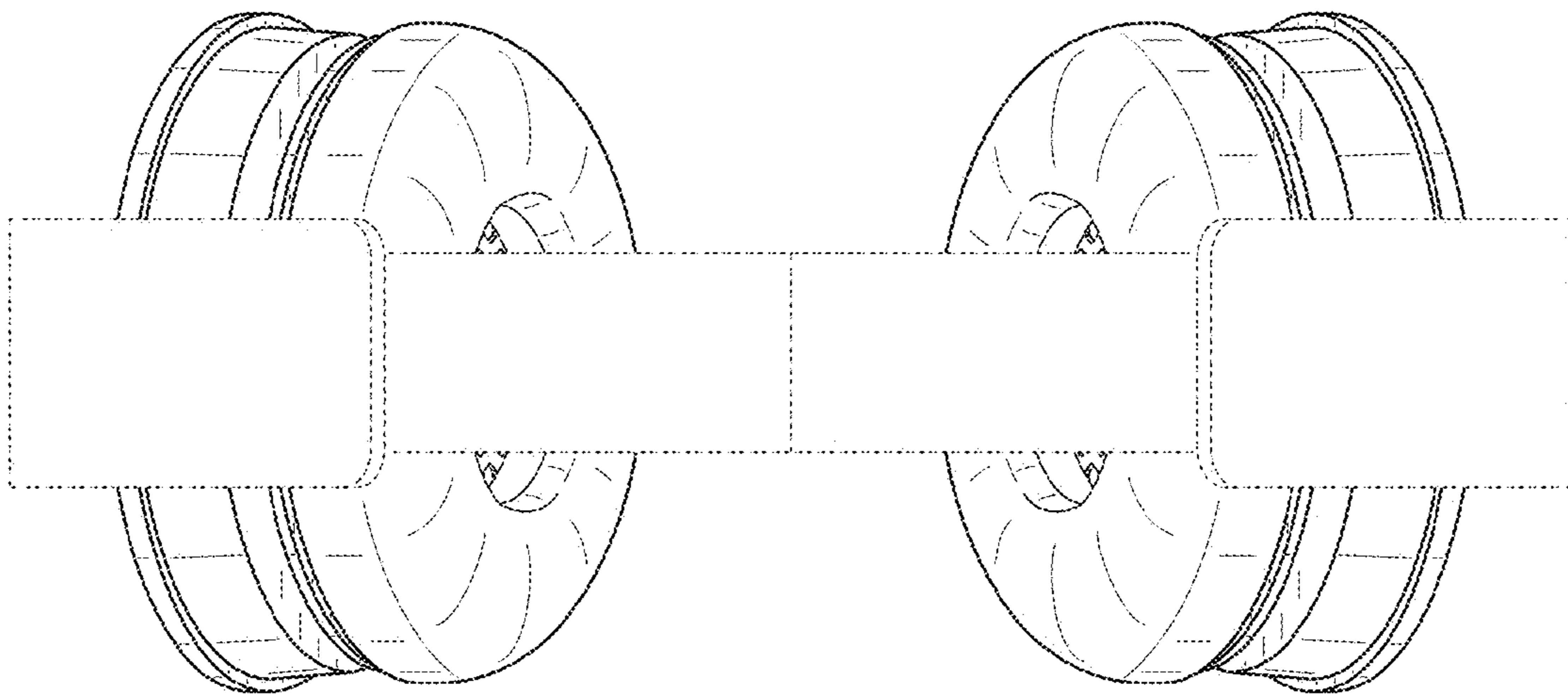


FIG. 7

