



US00D728511S

(12) **United States Design Patent**
Lin

(10) **Patent No.:** **US D728,511 S**

(45) **Date of Patent:** **** May 5, 2015**

(54) **EARPHONE ADAPTOR WITH CABLE ORGANIZER**

(71) Applicant: **Chia-Ching Lin**, Taipei (TW)

(72) Inventor: **Chia-Ching Lin**, Taipei (TW)

(**) Term: **14 Years**

(21) Appl. No.: **29/482,249**

(22) Filed: **Feb. 17, 2014**

(51) **LOC (10) Cl.** **14-01**

(52) **U.S. Cl.**
USPC **D14/205**

(58) **Field of Classification Search**
CPC H04R 1/1033
USPC D14/205, 433, 223; D13/133, 153;
D3/218; D8/356; 181/129, 130, 135;
381/384; 379/430, 431; 455/90.3,
455/575.1; 439/607.08, 610, 352
See application file for complete search history.

(56) **References Cited**

U.S. PATENT DOCUMENTS

1,128,305	A *	2/1915	Gammache	24/115 H
5,613,648	A *	3/1997	Paavila	242/405.2
5,654,530	A *	8/1997	Sauer et al.	181/130
D392,979	S *	3/1998	Inukai	D14/228
5,832,098	A *	11/1998	Chen	381/370
D451,473	S *	12/2001	Goto	D13/147
D464,949	S *	10/2002	DeKalb et al.	D14/218
D470,034	S *	2/2003	Wu et al.	D8/356
D473,217	S *	4/2003	Rivera	D14/223
D479,225	S *	9/2003	De Saulles	D14/218
D480,050	S *	9/2003	Darrow et al.	D13/133
D484,137	S *	12/2003	Wikel et al.	D14/433
D505,414	S *	5/2005	Ko et al.	D14/223
D519,103	S *	4/2006	Sabick et al.	D14/205
7,048,222	B1 *	5/2006	Curtiss	242/405.1
D566,107	S *	4/2008	Bowling	D14/223
7,394,910	B2 *	7/2008	Smith et al.	381/322
D576,102	S *	9/2008	Zenri et al.	D13/147
D583,362	S *	12/2008	Hsu et al.	D14/205

D585,880	S *	2/2009	Sade et al.	D14/223
D593,999	S *	6/2009	Mauritzsson	D14/225
D596,927	S *	7/2009	Ting	D8/356
D600,673	S *	9/2009	Kim et al.	D14/205
D601,090	S *	9/2009	Vigorito et al.	D13/133

(Continued)

Primary Examiner — Paula Greene

(74) *Attorney, Agent, or Firm* — Li & Cai Intellectual Property (USA) Office

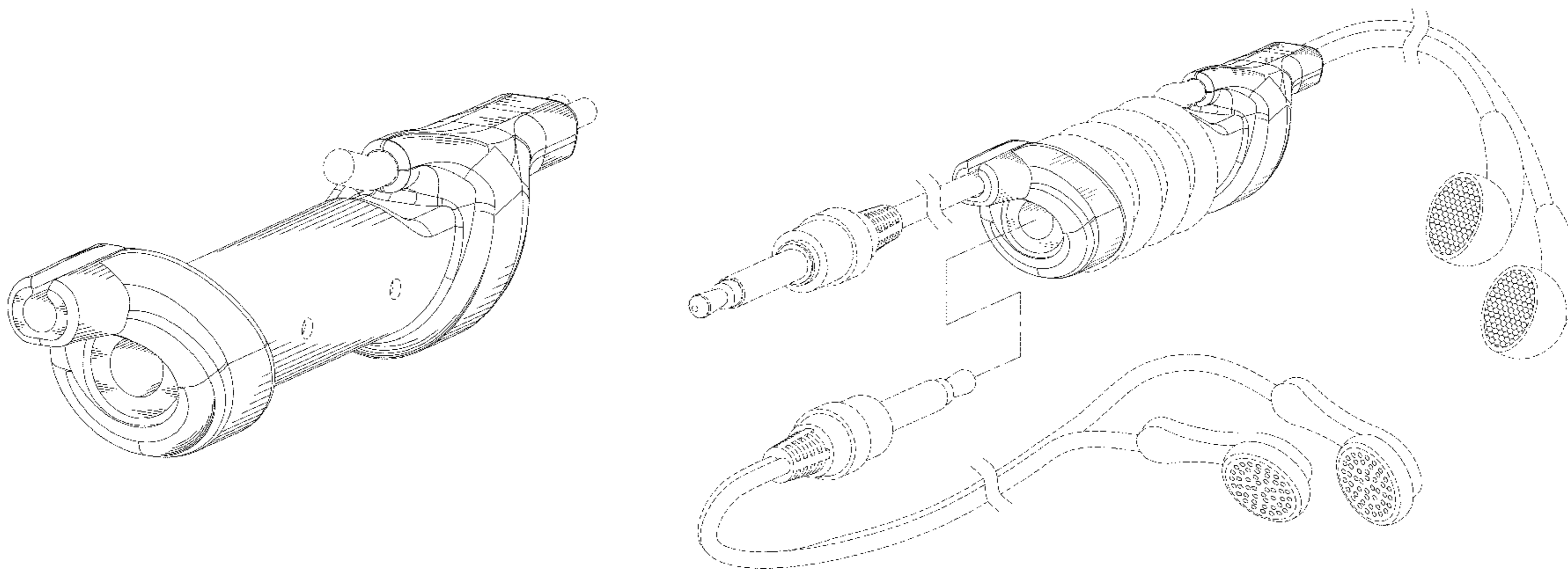
(57) **CLAIM**

The ornamental design for an “earphone adaptor with cable organizer,” as shown and described.

DESCRIPTION

FIG. 1 is a perspective view of an earphone adaptor with cable organizer showing my new design;
 FIG. 2 is a front view thereof;
 FIG. 3 is a rear view thereof;
 FIG. 4 is a left side view thereof;
 FIG. 5 is a right side view thereof;
 FIG. 6 is a top view thereof;
 FIG. 7 is a bottom view thereof;
 FIG. 8 is a perspective view in another visual angle thereof;
 FIG. 9 is a perspective view in yet another visual angle thereof;
 FIG. 10 is a perspective view showing a practical usage thereof;
 FIG. 11 is a perspective view showing the practical usage thereof with an additional earphone;
 FIG. 12 is a perspective view showing the practical usage thereof with a clipper;
 FIG. 13 is a perspective view showing the practical usage thereof with the additional earphone and the clipper;
 FIG. 14 is a perspective view showing a non- usage state thereof with the clipper; and,
 FIG. 15 is a perspective view showing the practical usage thereof with a different clipper.
 The broken lines depict portions of the earphone adaptor with cable organizer which form no part of the claimed design.

1 Claim, 14 Drawing Sheets



(56)

References Cited

U.S. PATENT DOCUMENTS

D603,376 S *	11/2009	Blasko	D14/223	D655,693 S *	3/2012	Silvestri et al.	D14/223
D614,167 S *	4/2010	Brickstad	D14/205	D671,530 S *	11/2012	Yang	D14/223
D618,671 S *	6/2010	Hou	D14/223	D676,021 S *	2/2013	Stevinson	D14/205
D620,781 S *	8/2010	Weckworth	D8/356	D676,833 S *	2/2013	Garcia et al.	D14/223
D622,697 S *	8/2010	Kolton	D14/205	D685,771 S *	7/2013	Bertenthal	D14/223
D628,990 S *	12/2010	Pedersen	D14/223	D688,252 S *	8/2013	Paul	D14/447
D637,584 S *	5/2011	Peller	D14/223	D691,581 S *	10/2013	Mercs et al.	D14/205
D638,398 S *	5/2011	Morison	D14/205	D701,448 S *	3/2014	Rodwin	D8/356
D643,014 S *	8/2011	Goransson	D14/205	D705,749 S *	5/2014	Tung et al.	D14/205
D643,404 S *	8/2011	Lee et al.	D14/205	D711,725 S *	8/2014	Bainbridge	D8/356
D645,022 S *	9/2011	Lee et al.	D14/205	2009/0141923 A1 *	6/2009	Smith	381/371
				2009/0194630 A1 *	8/2009	Thiyagarajan	242/405.1
				2012/0128193 A1 *	5/2012	Stevinson	381/384

* cited by examiner

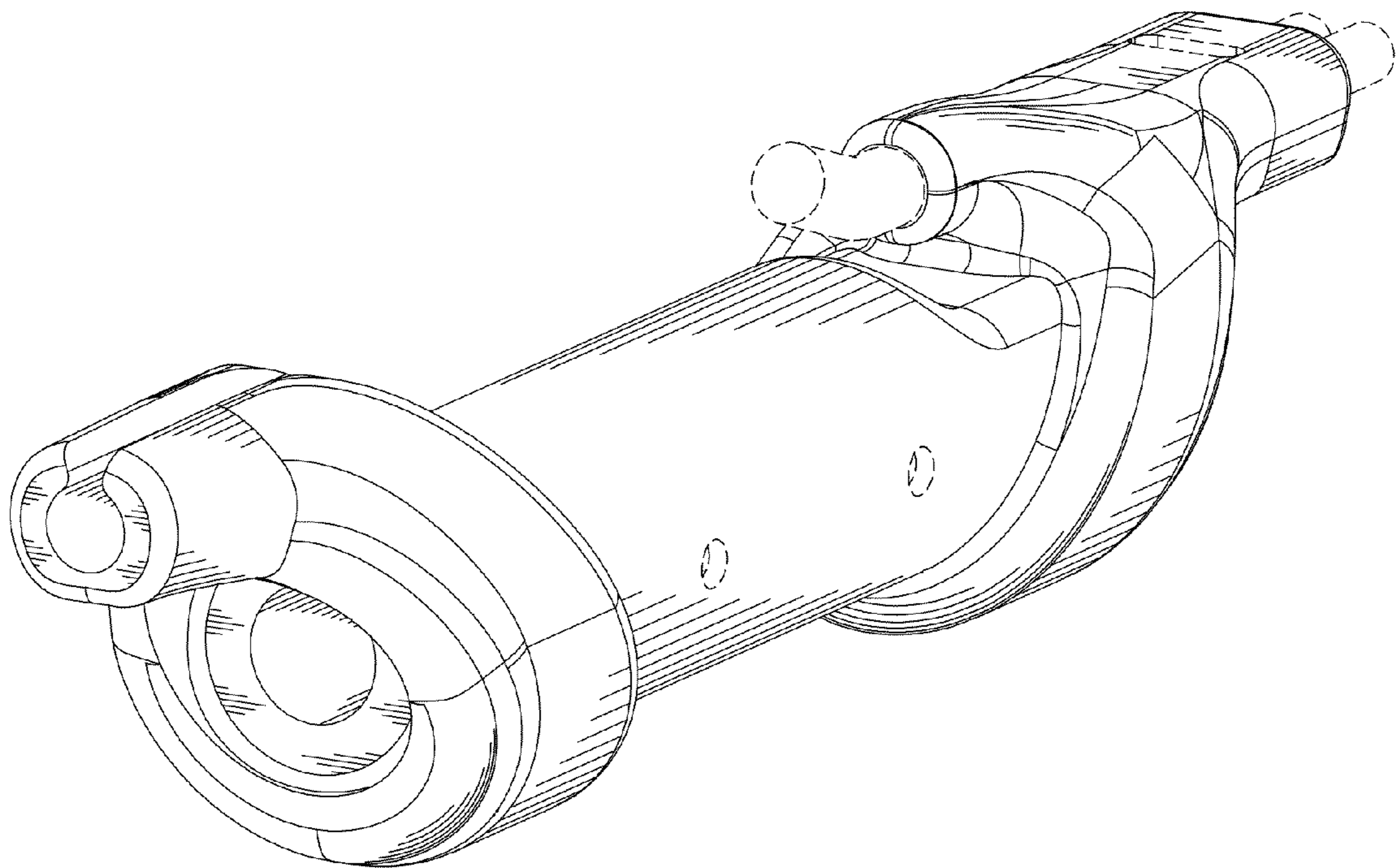


FIG.1

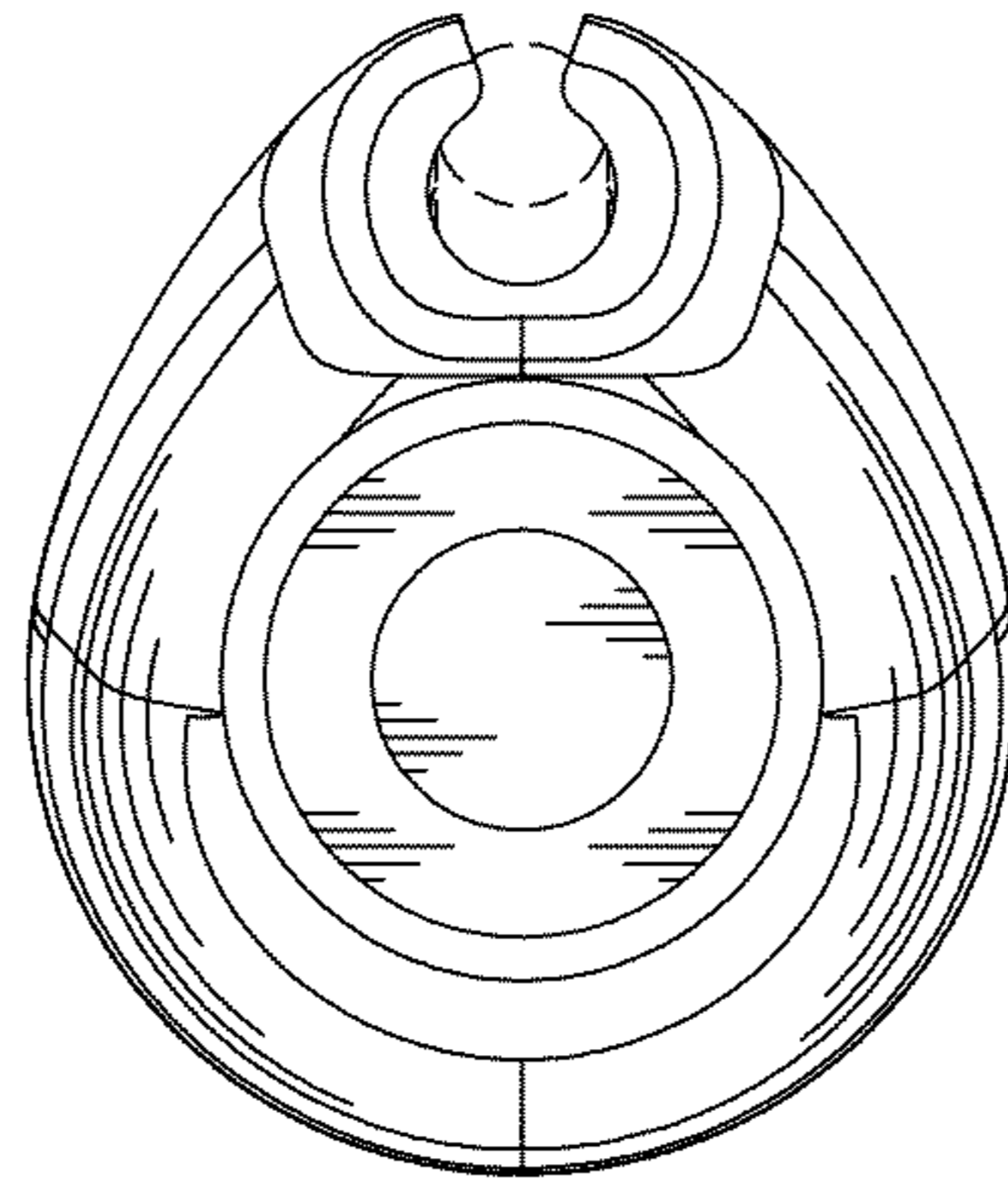


FIG. 2

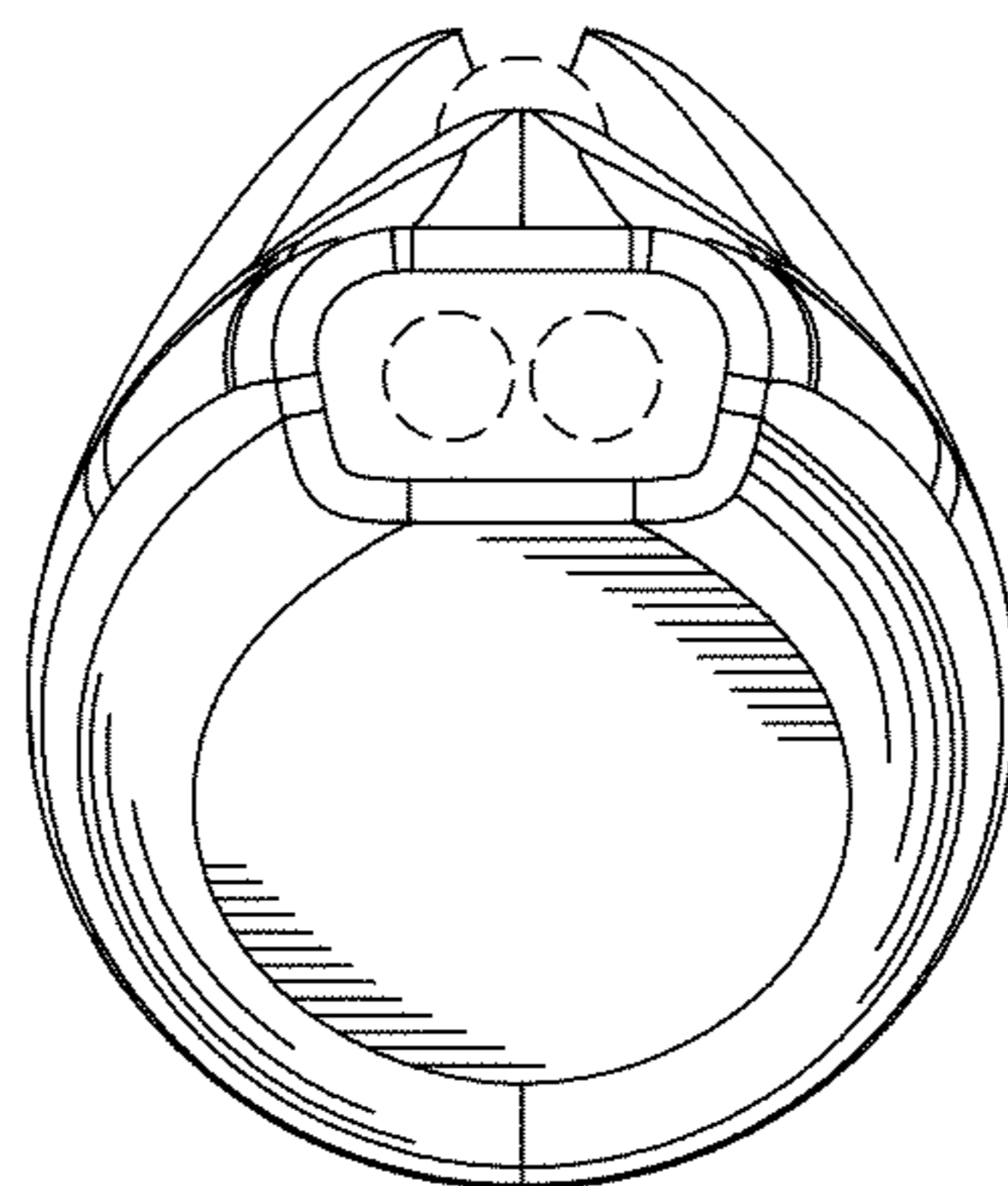


FIG. 3

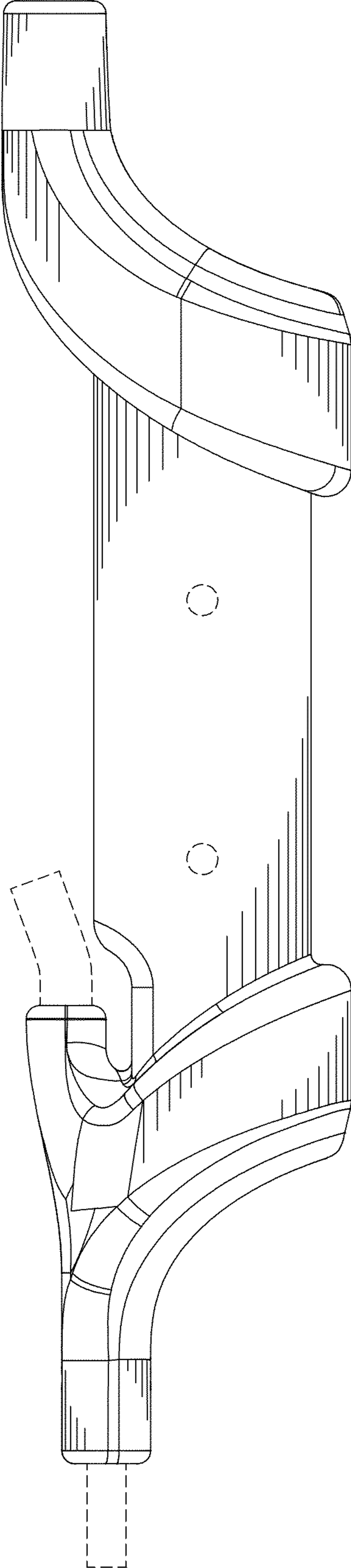


FIG.4

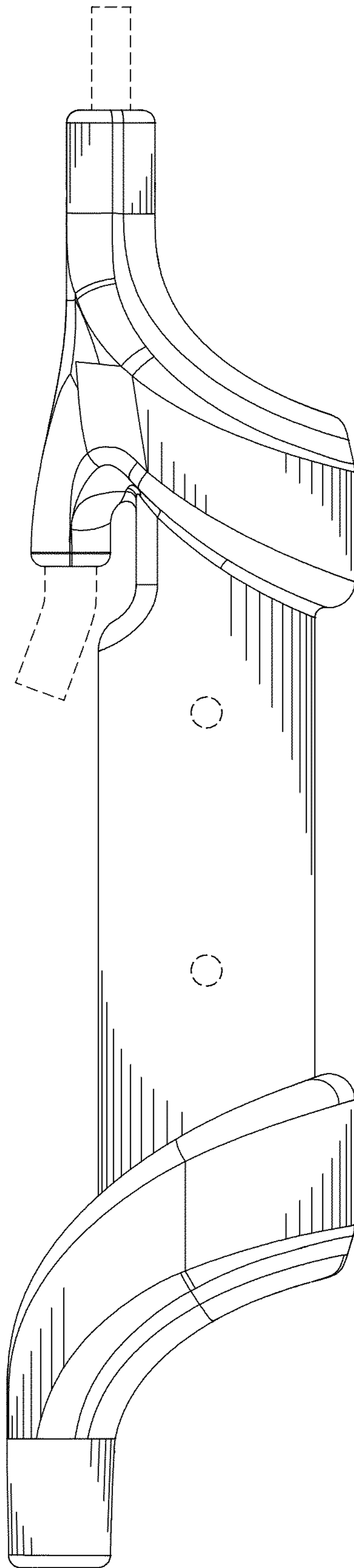


FIG.5

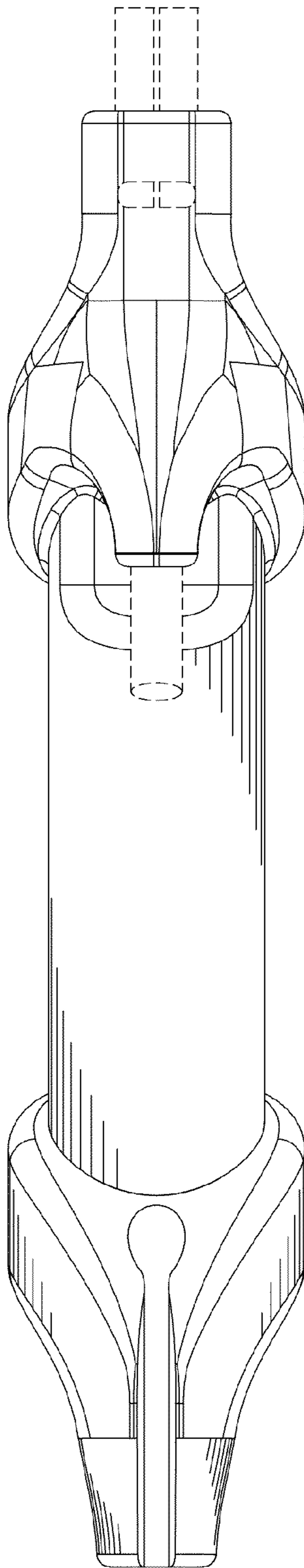


FIG.6

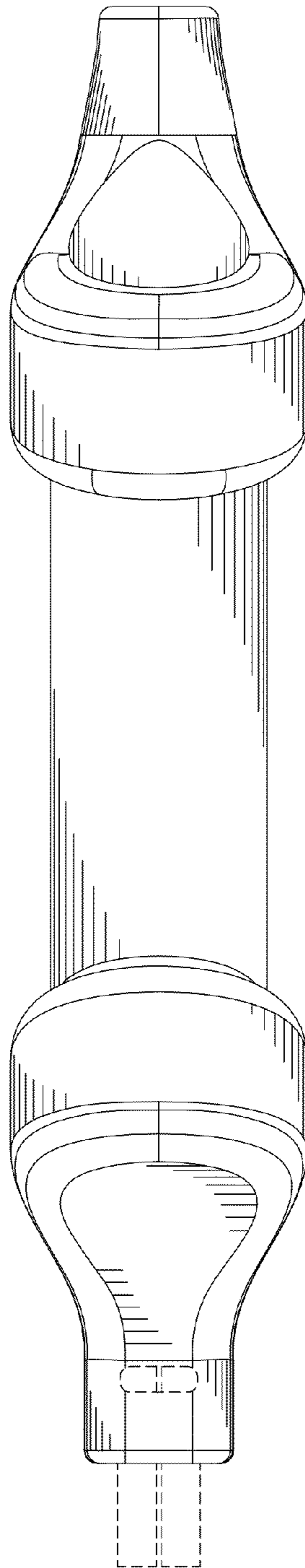


FIG.7

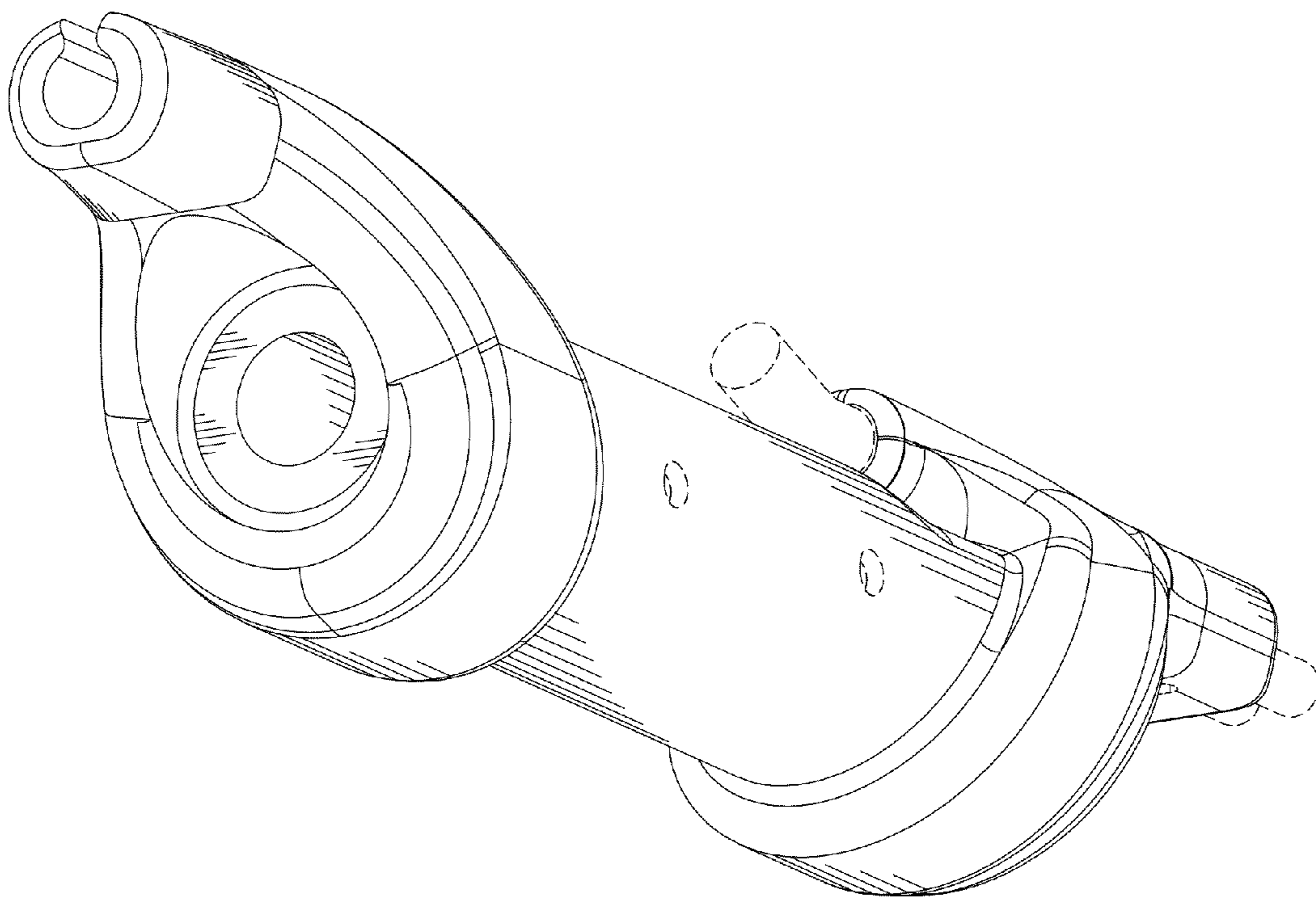


FIG.8

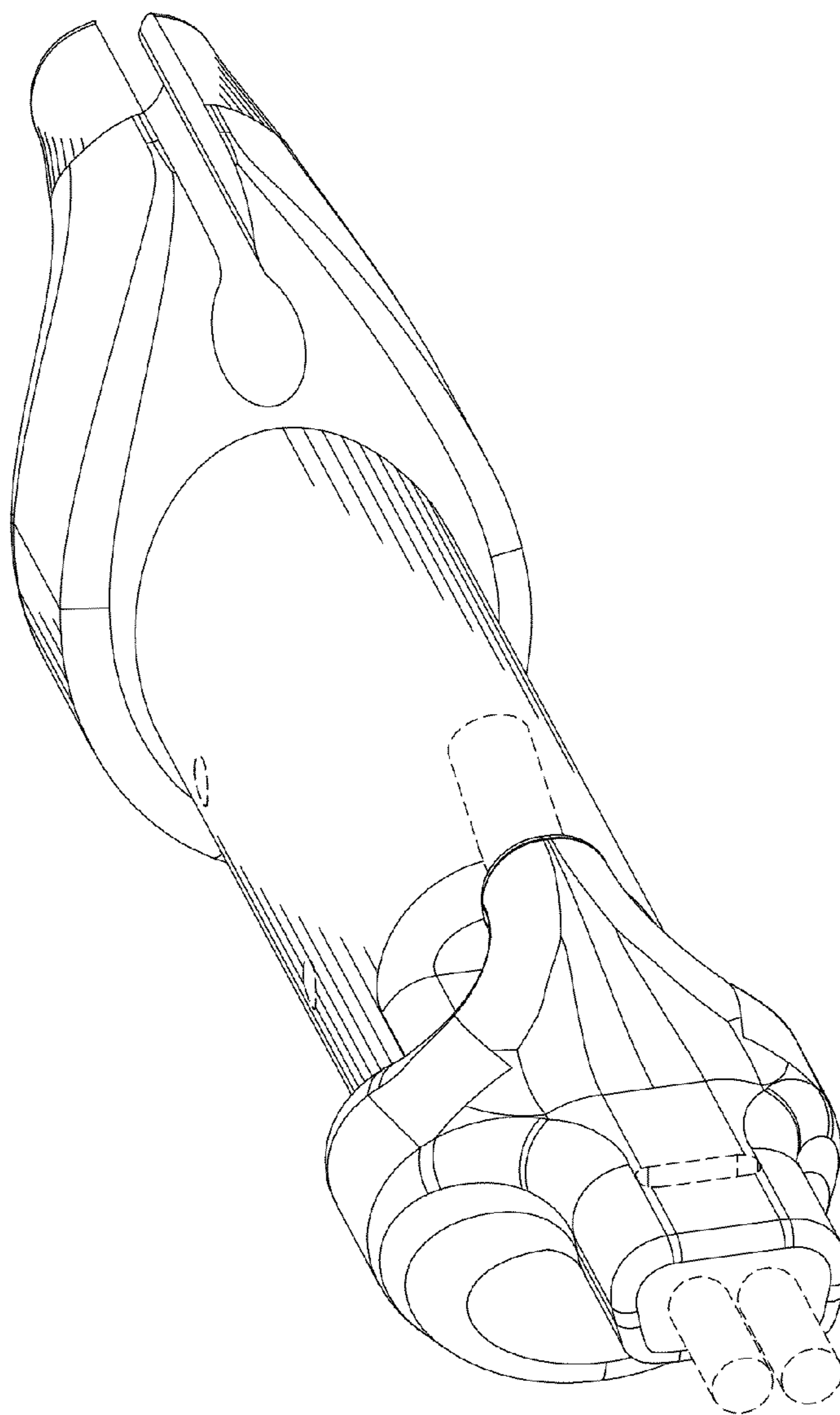


FIG.9

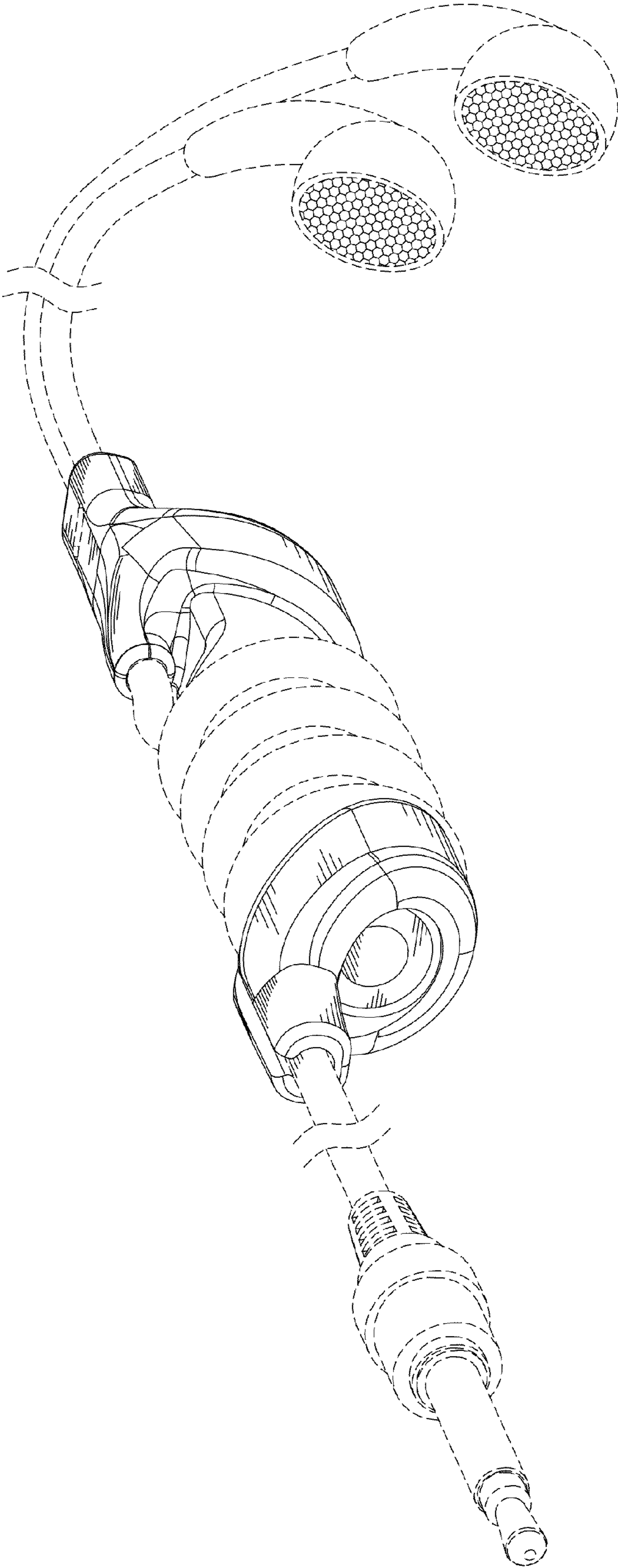


FIG.10

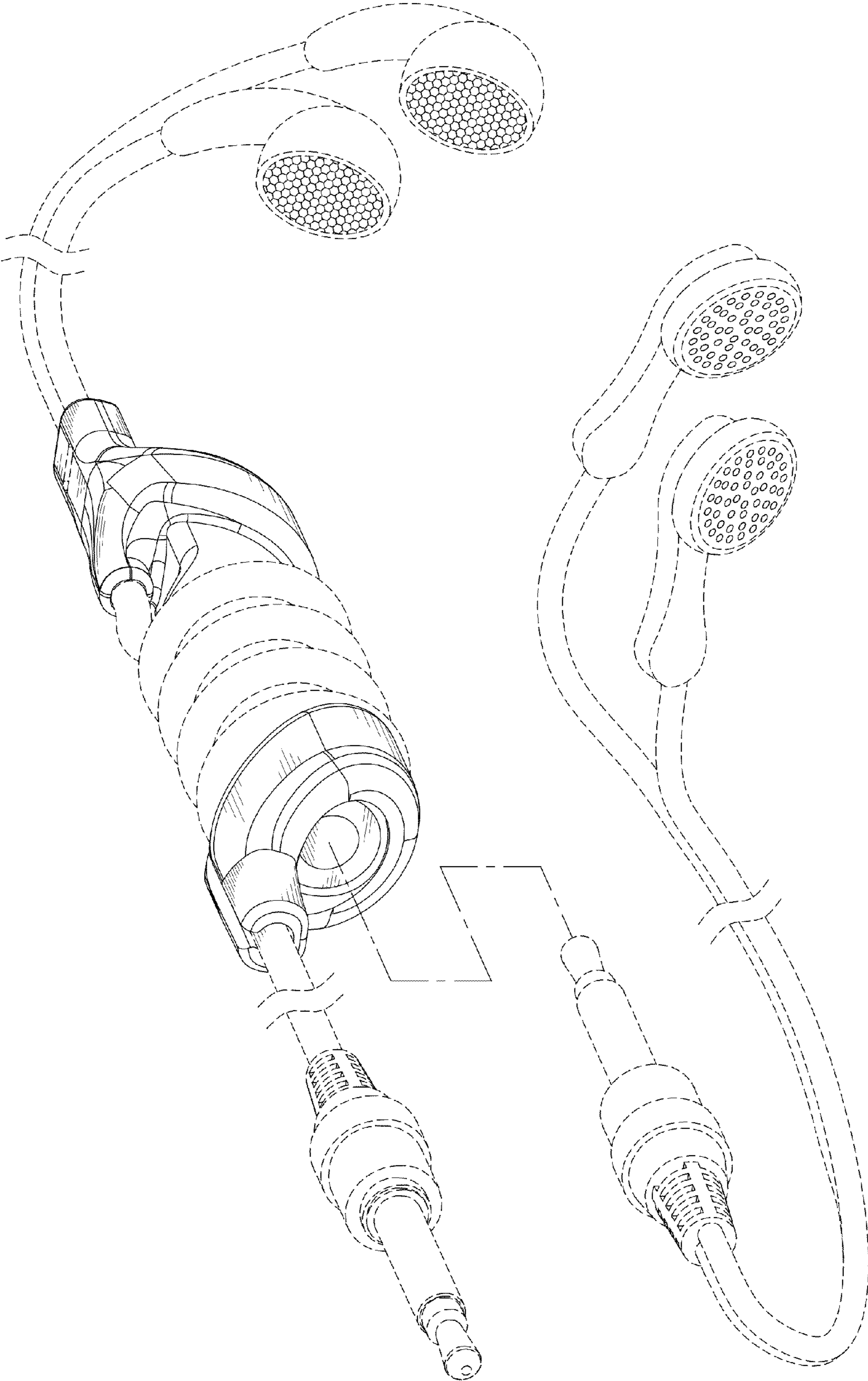


FIG.11

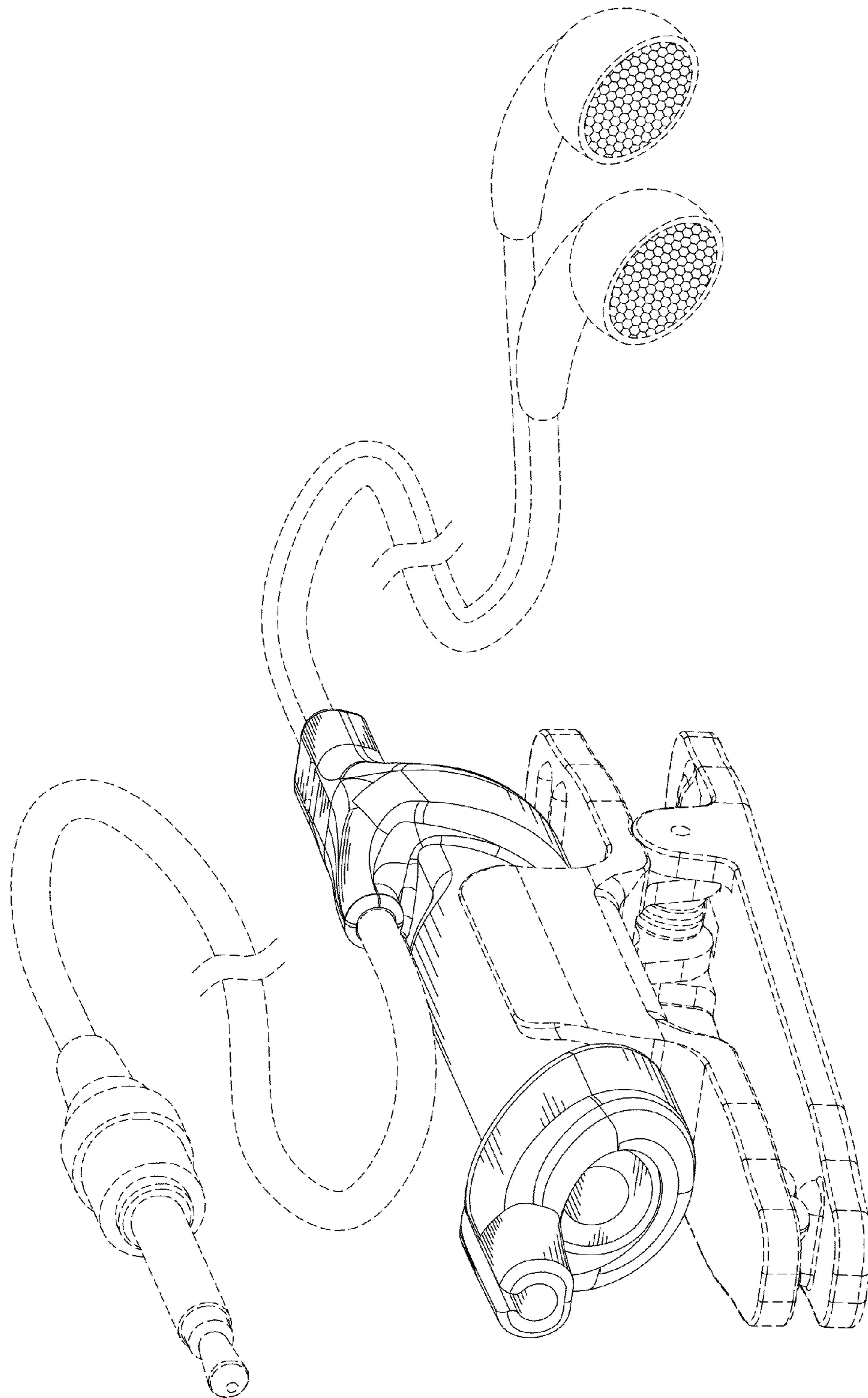


FIG.12

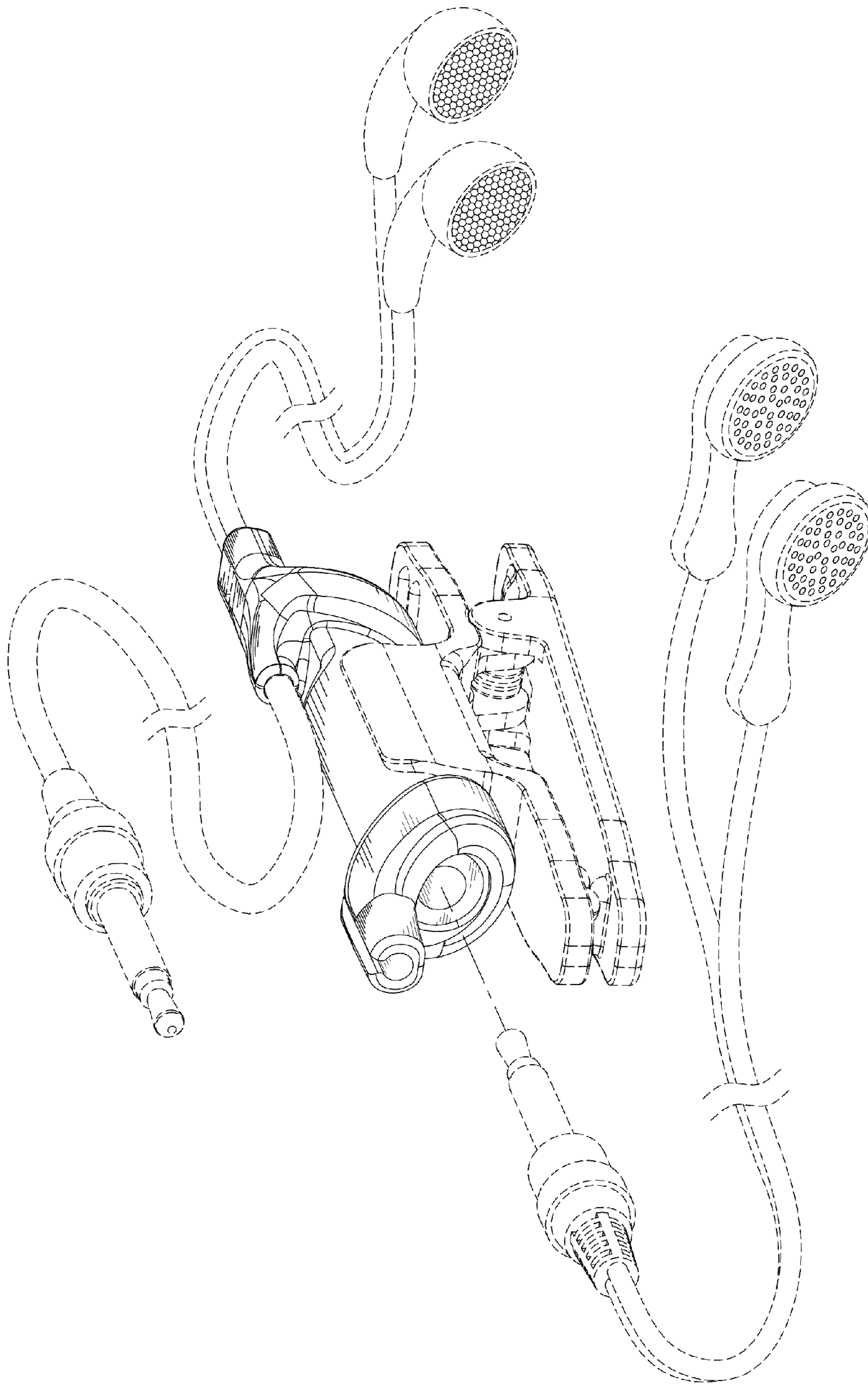


FIG.13

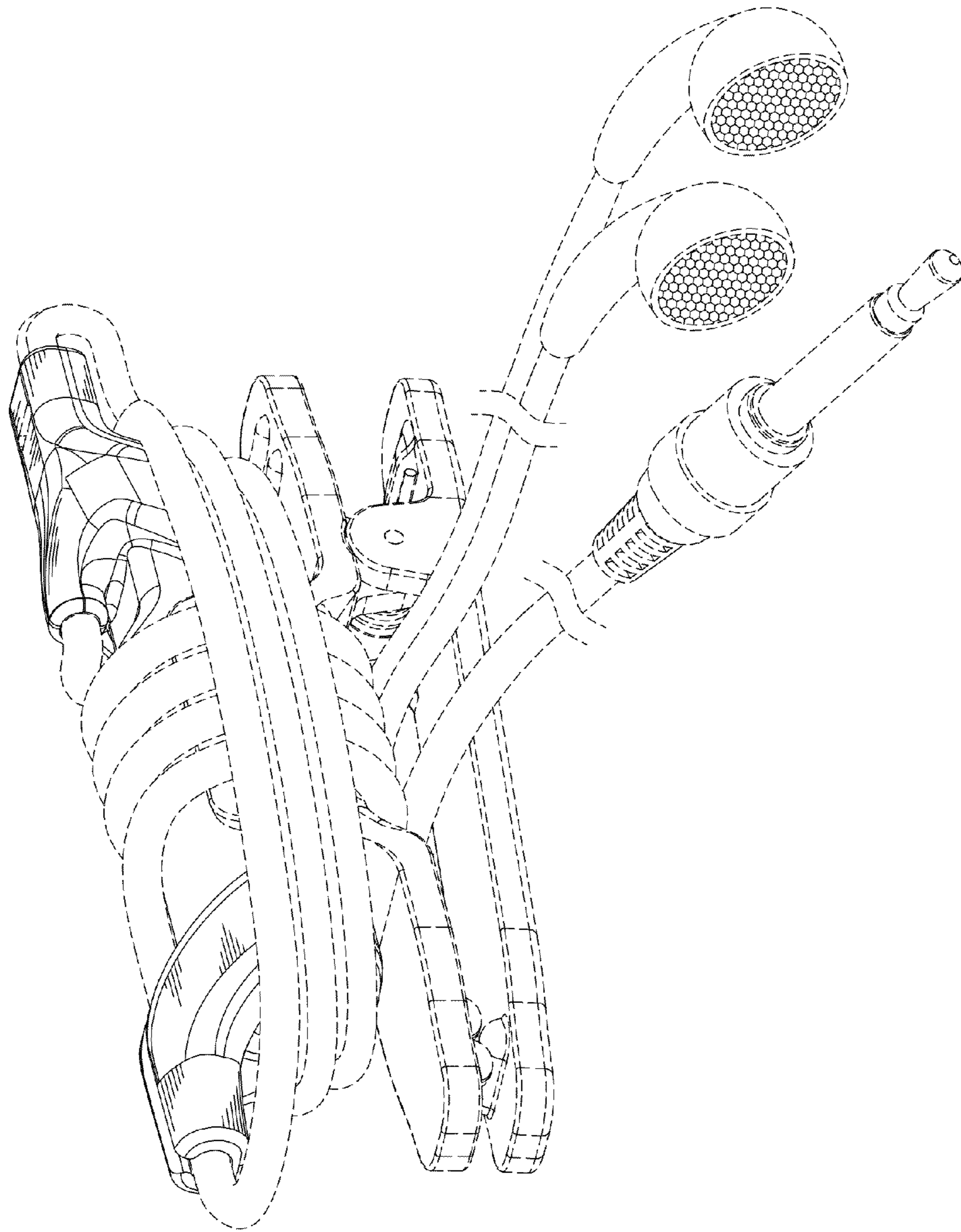


FIG.14

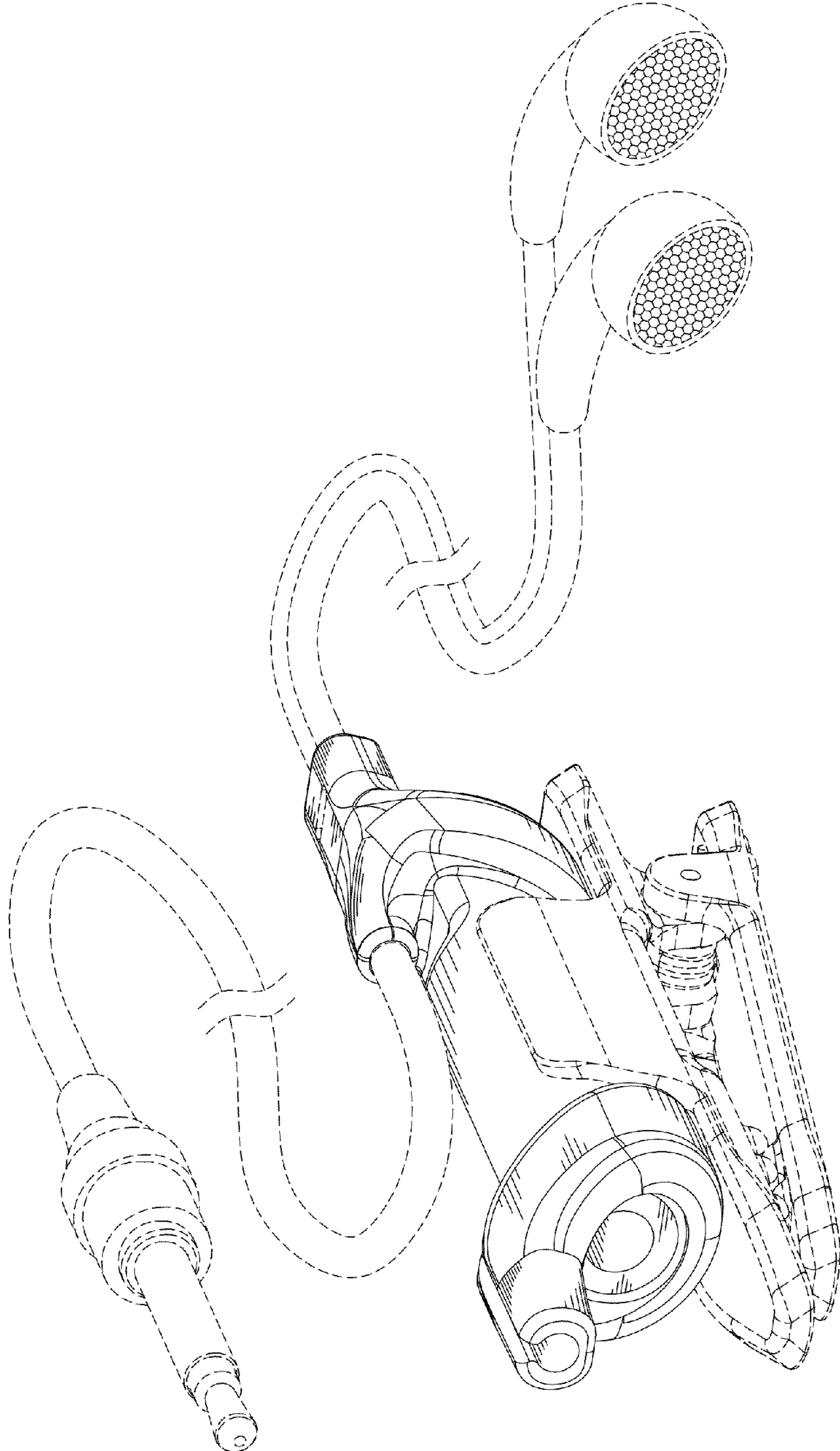


FIG.15