



US00D728510S

(12) **United States Design Patent**
Cai

(10) **Patent No.:** **US D728,510 S**

(45) **Date of Patent:** **** May 5, 2015**

(54) **SPEAKER**

(71) Applicant: **Yong-Yue Cai**, Nin-Bo (CN)

(72) Inventor: **Yong-Yue Cai**, Nin-Bo (CN)

(**) Term: **14 Years**

(21) Appl. No.: **29/461,165**

(22) Filed: **Jul. 19, 2013**

(51) **LOC (10) Cl.** **14-03**

(52) **U.S. Cl.**

USPC **D14/204**; D14/203.5

(58) **Field of Classification Search**

USPC D14/167, 168, 170–172, 188, 194–196,
D14/204, 207, 209.1, 210–216, 219, 221,
D14/222, 224, 496; 181/143, 144, 147, 148,
181/150, 153, 157, 198, 199; 381/300–303,
381/306, 332, 333, 336, 345, 361–364,
381/386–388; 369/6–12

See application file for complete search history.

(56) **References Cited**

U.S. PATENT DOCUMENTS

D317,911 S *	7/1991	Yokoi	D14/453
D475,996 S *	6/2003	Skulley	D14/240
D524,292 S *	7/2006	Tyneski et al.	D14/216
D524,731 S *	7/2006	Navarrez et al.	D13/108
D525,962 S *	8/2006	Elson	D14/149
D527,343 S *	8/2006	Navarrez et al.	D13/108
D572,654 S *	7/2008	Kang et al.	D13/107
D591,270 S *	4/2009	Jakobson et al.	D14/217
D628,151 S *	11/2010	Wegener et al.	D13/108
D664,146 S *	7/2012	Hoehn et al.	D14/433

D664,918 S *	8/2012	Brandys et al.	D13/107
D675,563 S *	2/2013	Hoehn et al.	D13/110
2013/0312591 A1 *	11/2013	Mills	84/726

* cited by examiner

Primary Examiner — Keli L Hill

(74) *Attorney, Agent, or Firm* — Lin & Associates IP, Inc.

(57) **CLAIM**

The ornamental design for a speaker, as shown and described.

DESCRIPTION

FIG. 1 is a perspective view of a speaker showing my new design;

FIG. 2 is a front elevational view thereof;

FIG. 3 is a rear elevational view thereof;

FIG. 4 is a left elevational view thereof;

FIG. 5 is a right elevational view thereof;

FIG. 6 is a top view thereof;

FIG. 7 is a bottom view thereof;

FIG. 8 is a perspective view of the speaker viewed from another direction;

FIG. 9 shows a cellular phone is inserted into the speaker;

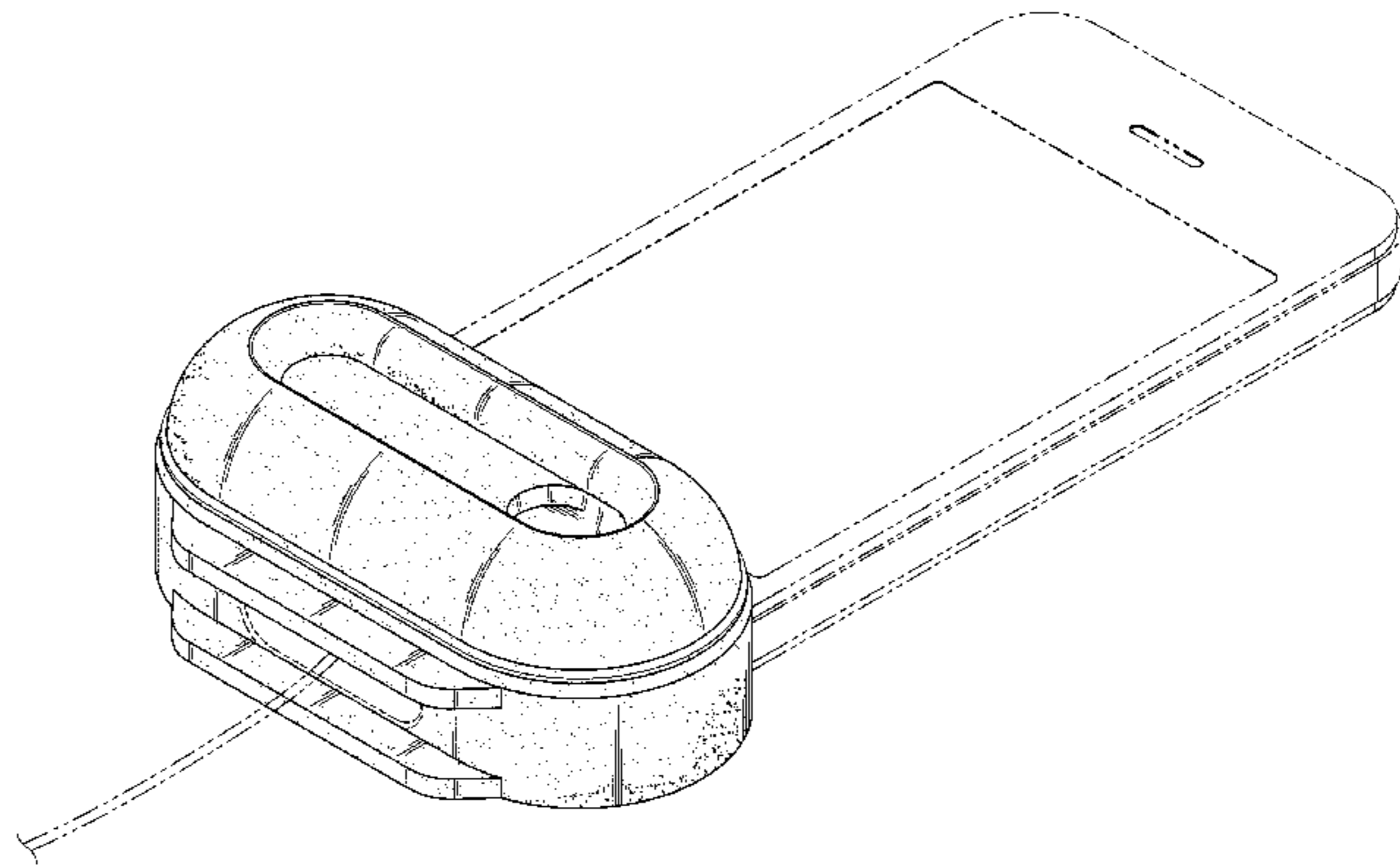
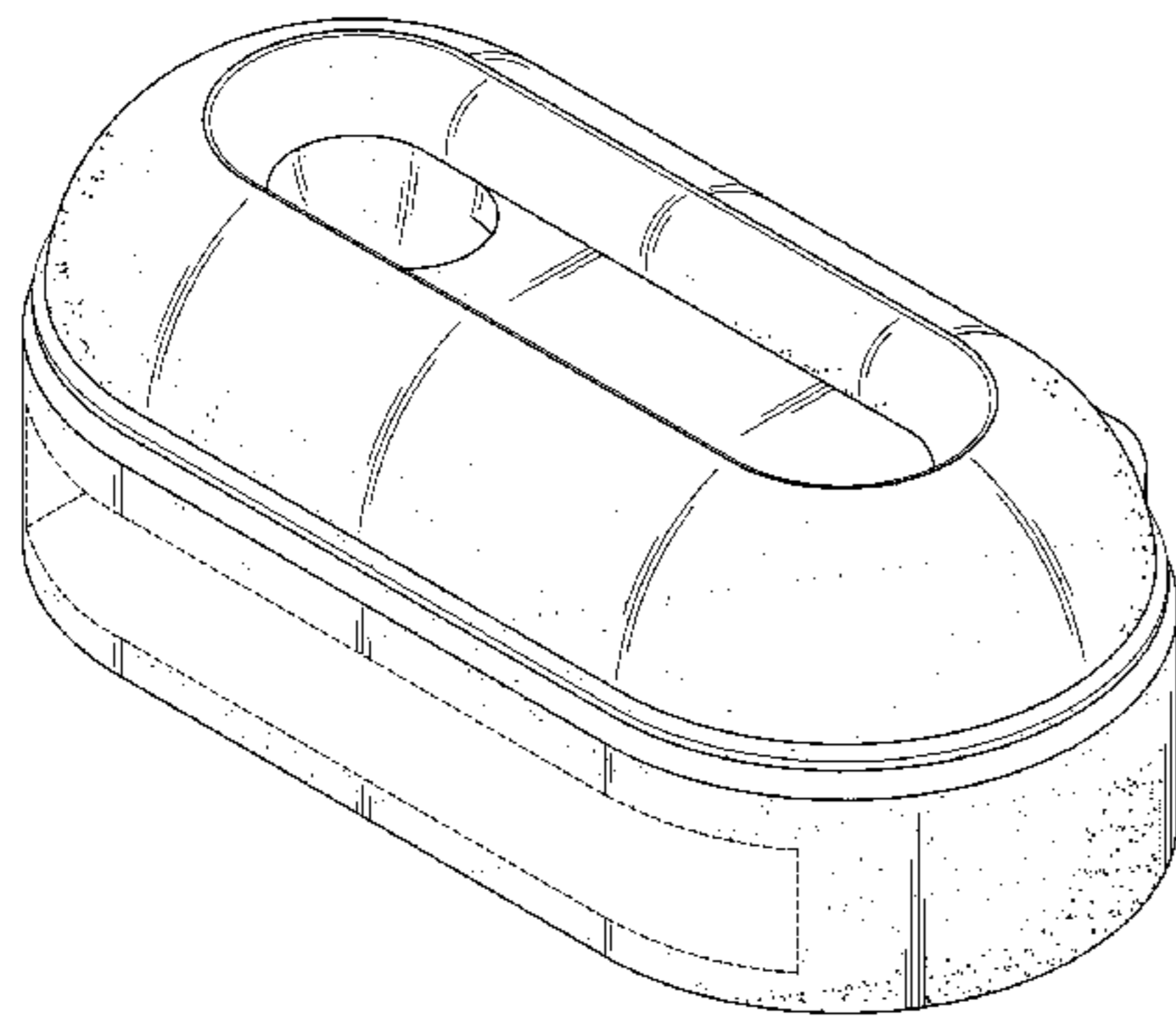
FIG. 10 shows a cellular phone and a charger cable are respectively inserted into and through the speaker;

FIG. 11 shows an earphone can be coiled around and received in the speaker; and,

FIG. 12 shows an upper portion of the speaker is bent up.

The broken lines shown are included for the purpose of illustrating portions of the speaker that represent unclaimed subject matter and form no part of the claimed design. The broken line showings of the cellular phone, charger cable and earphone cable are included for the purpose of illustrating environment of the article and form no part of the claimed design.

1 Claim, 12 Drawing Sheets



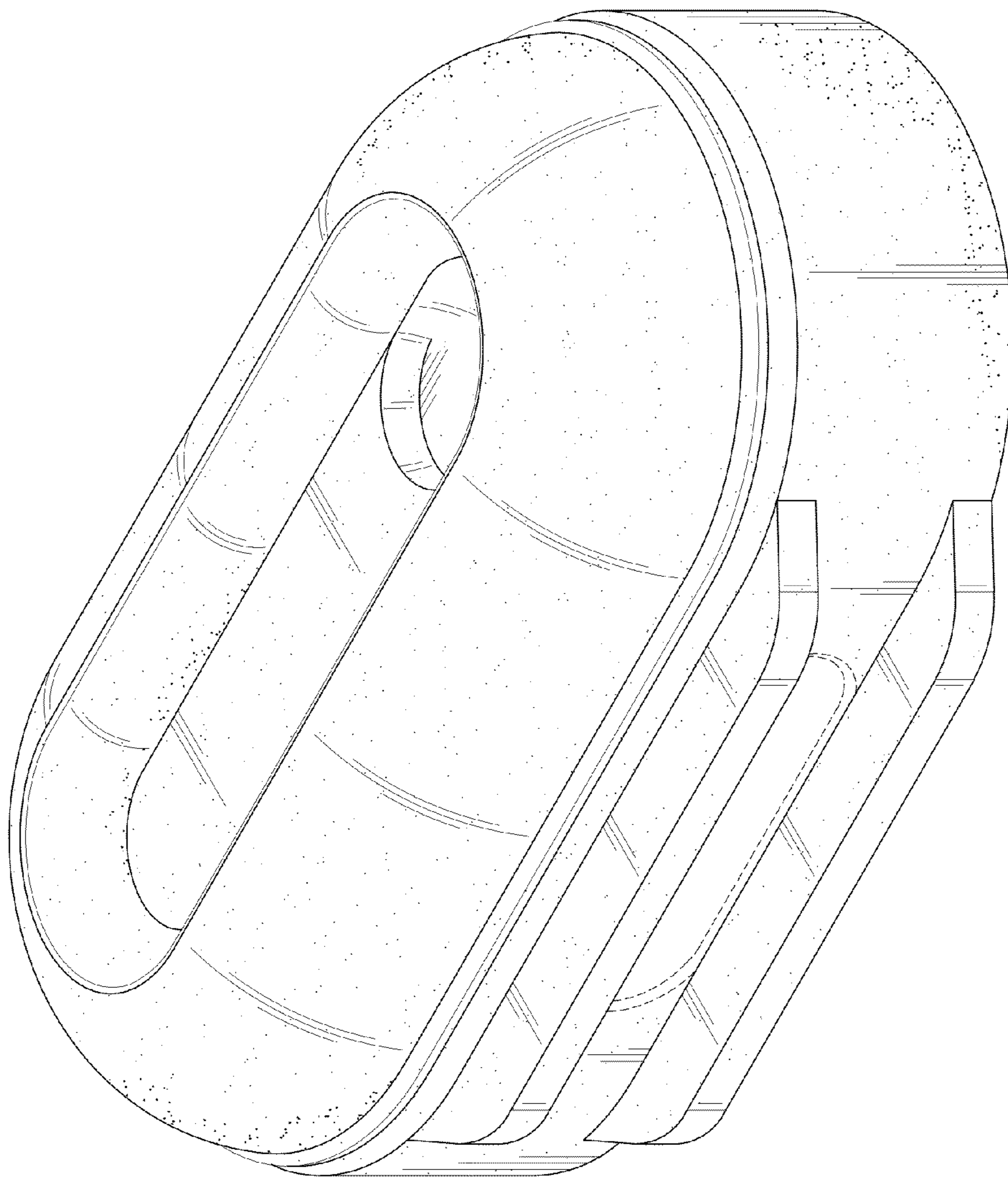


FIG. 1

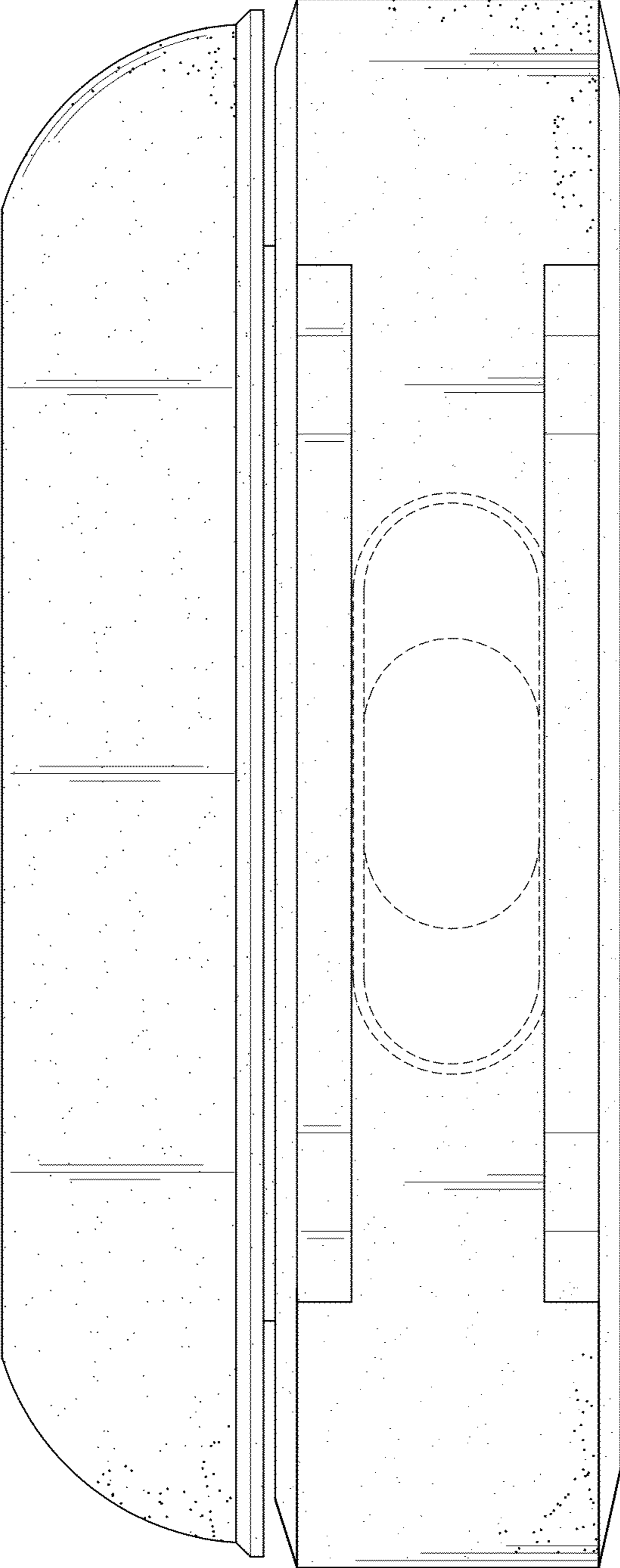


FIG. 2

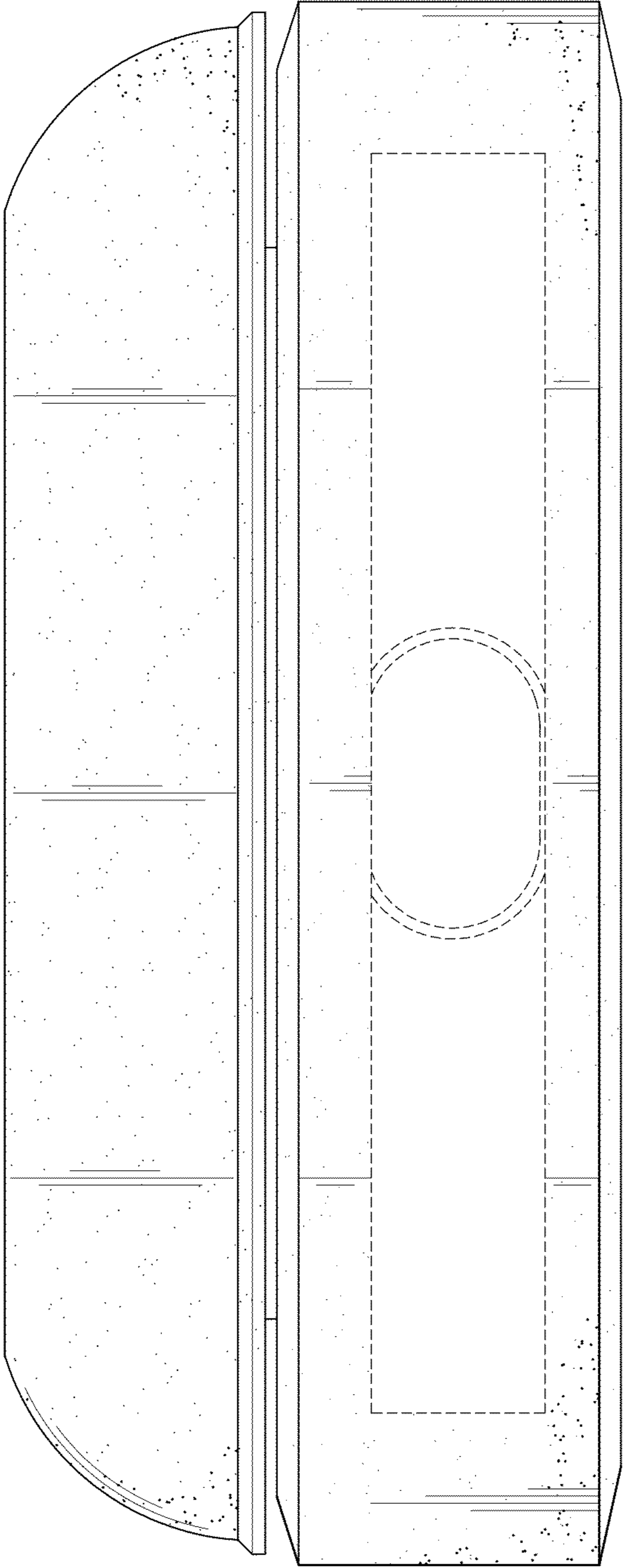


FIG. 3

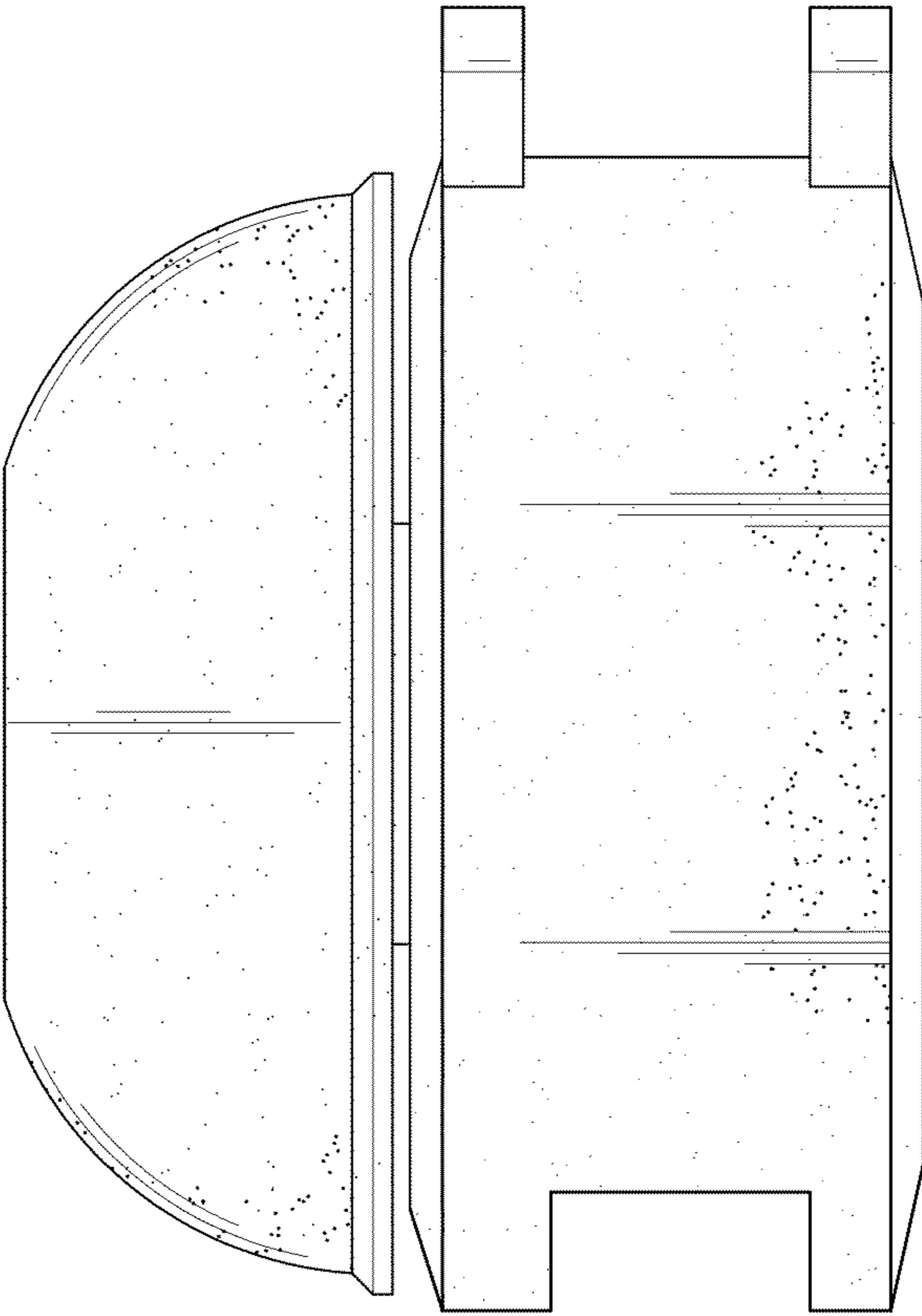


FIG. 4

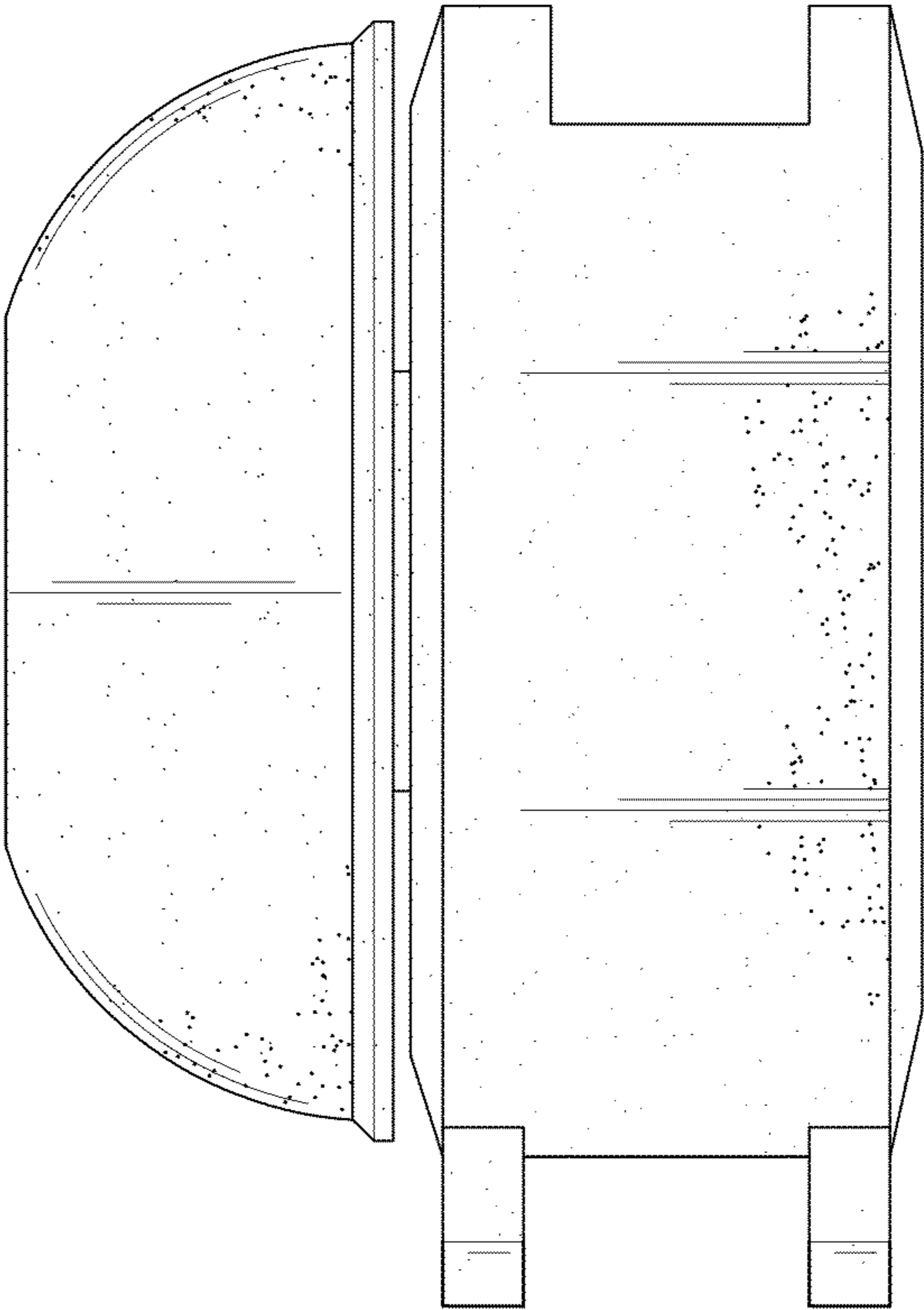


FIG. 5

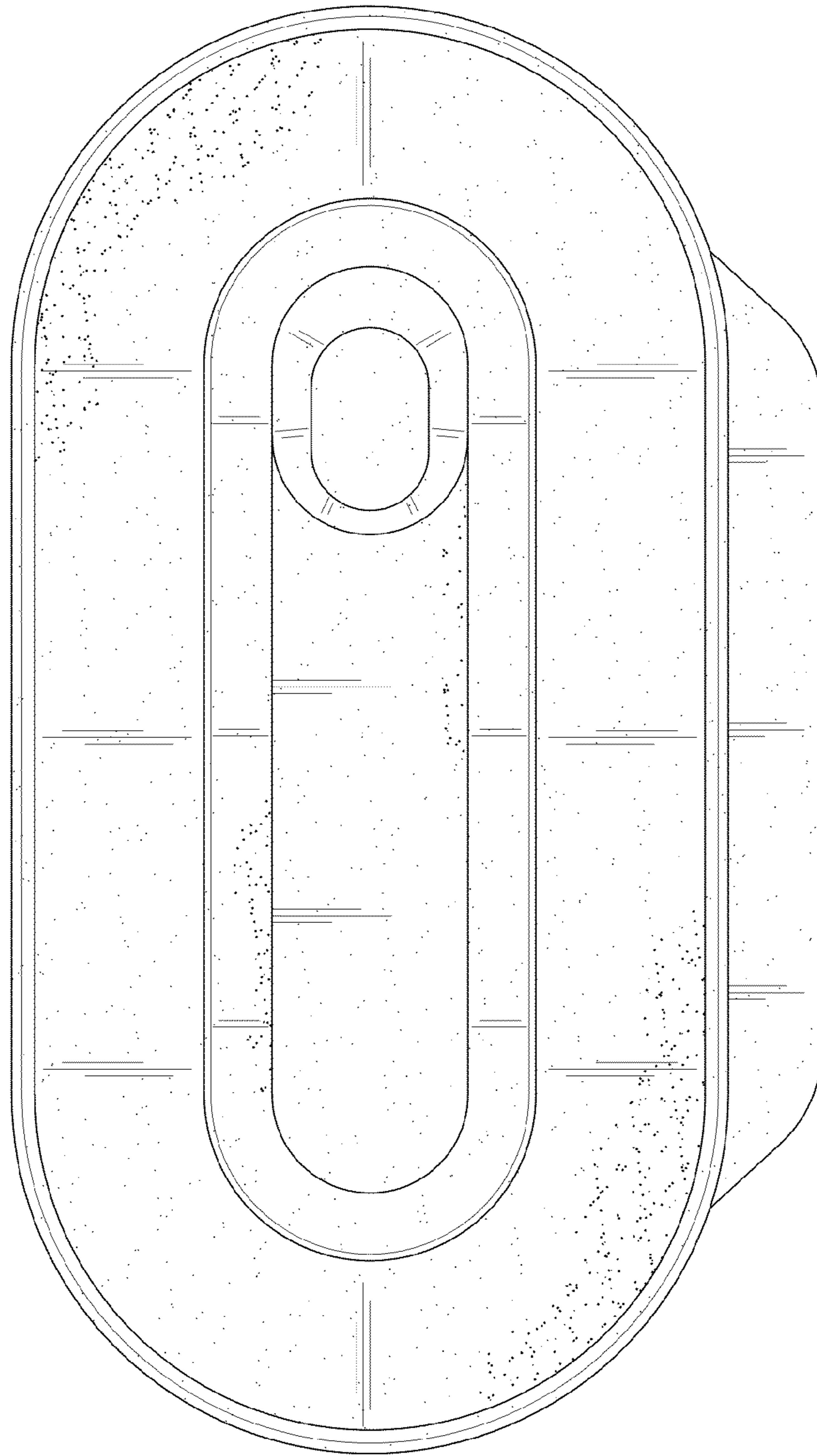


FIG. 6

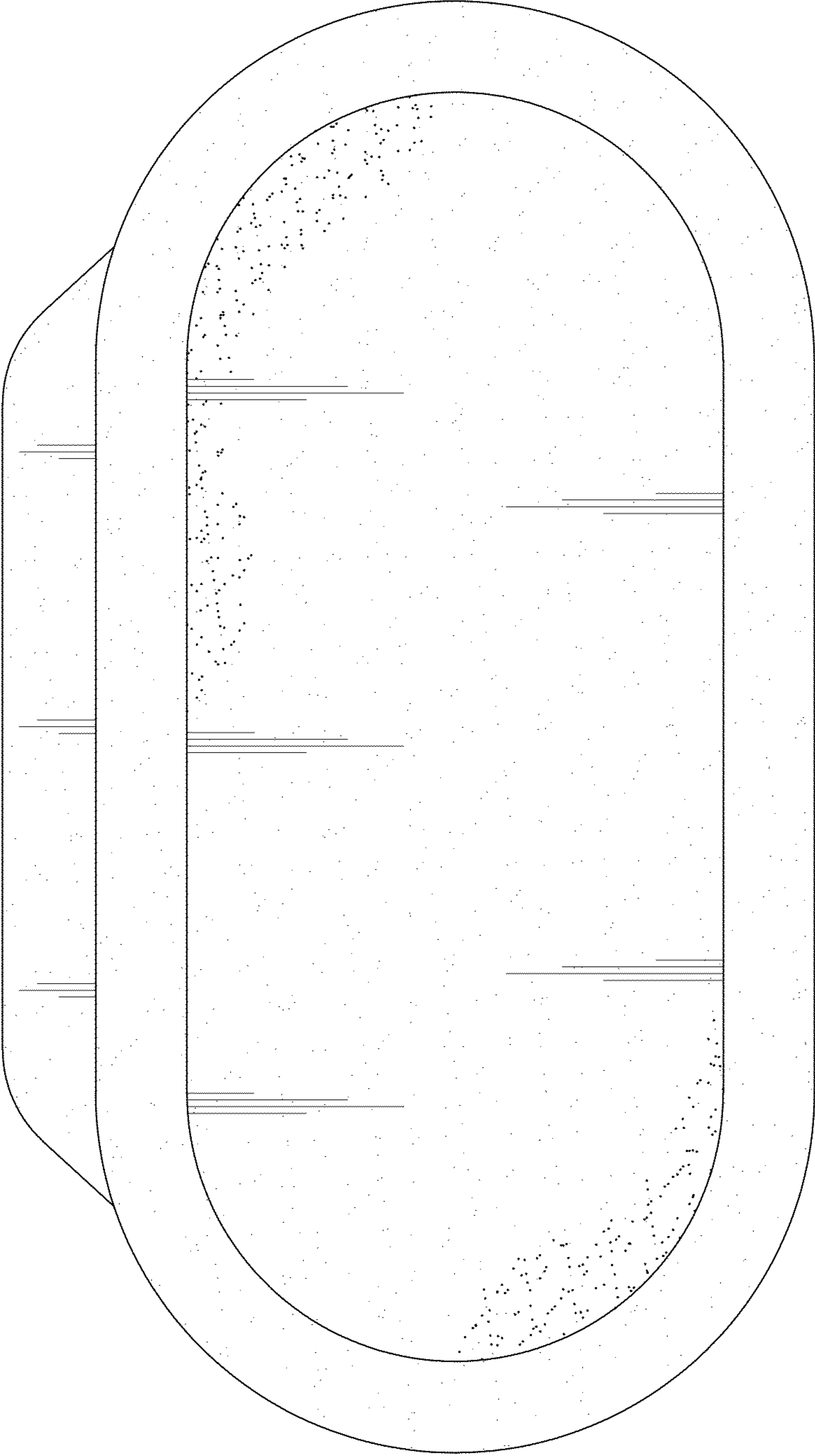


FIG. 7

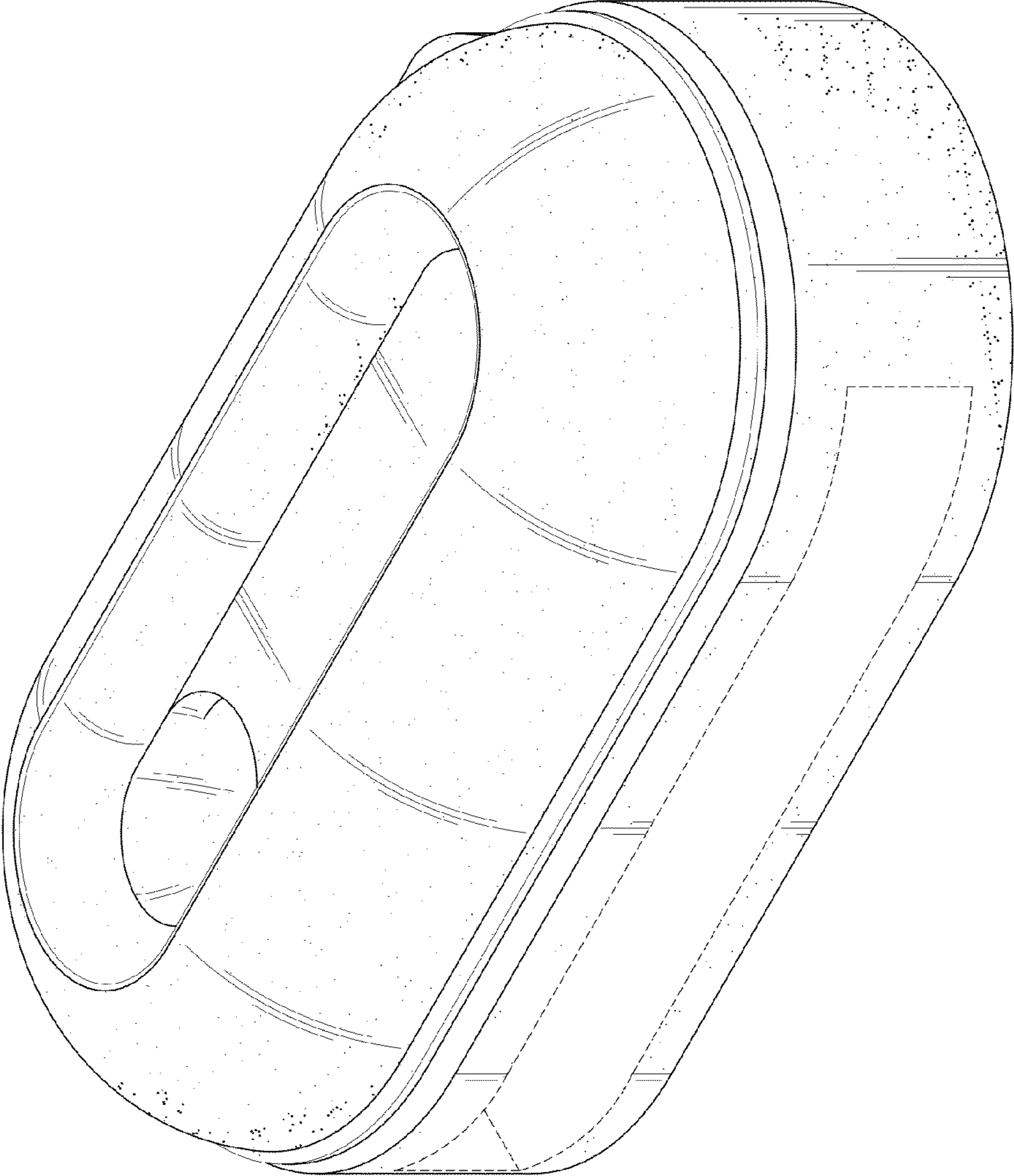


FIG. 8

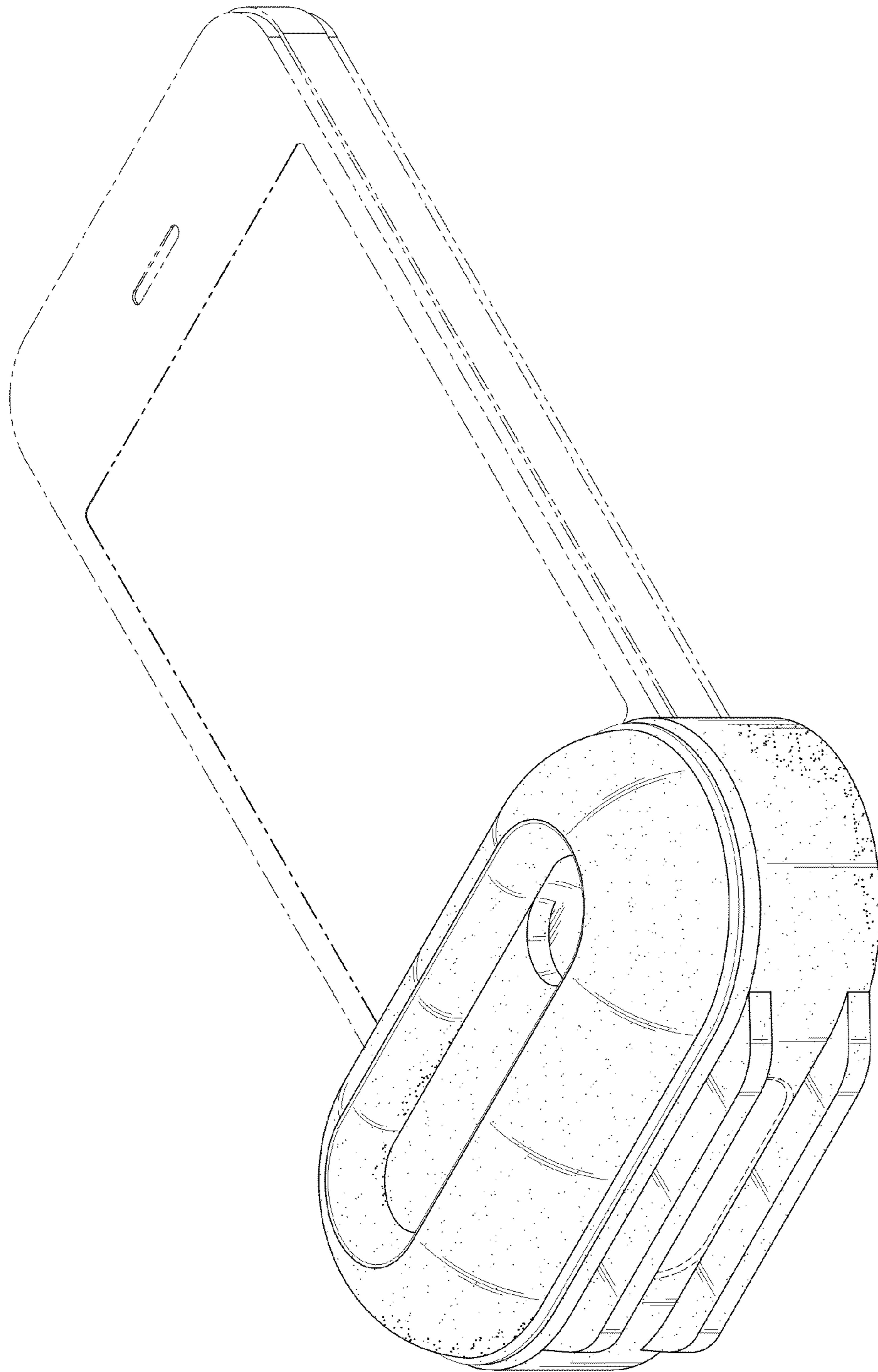


FIG. 9

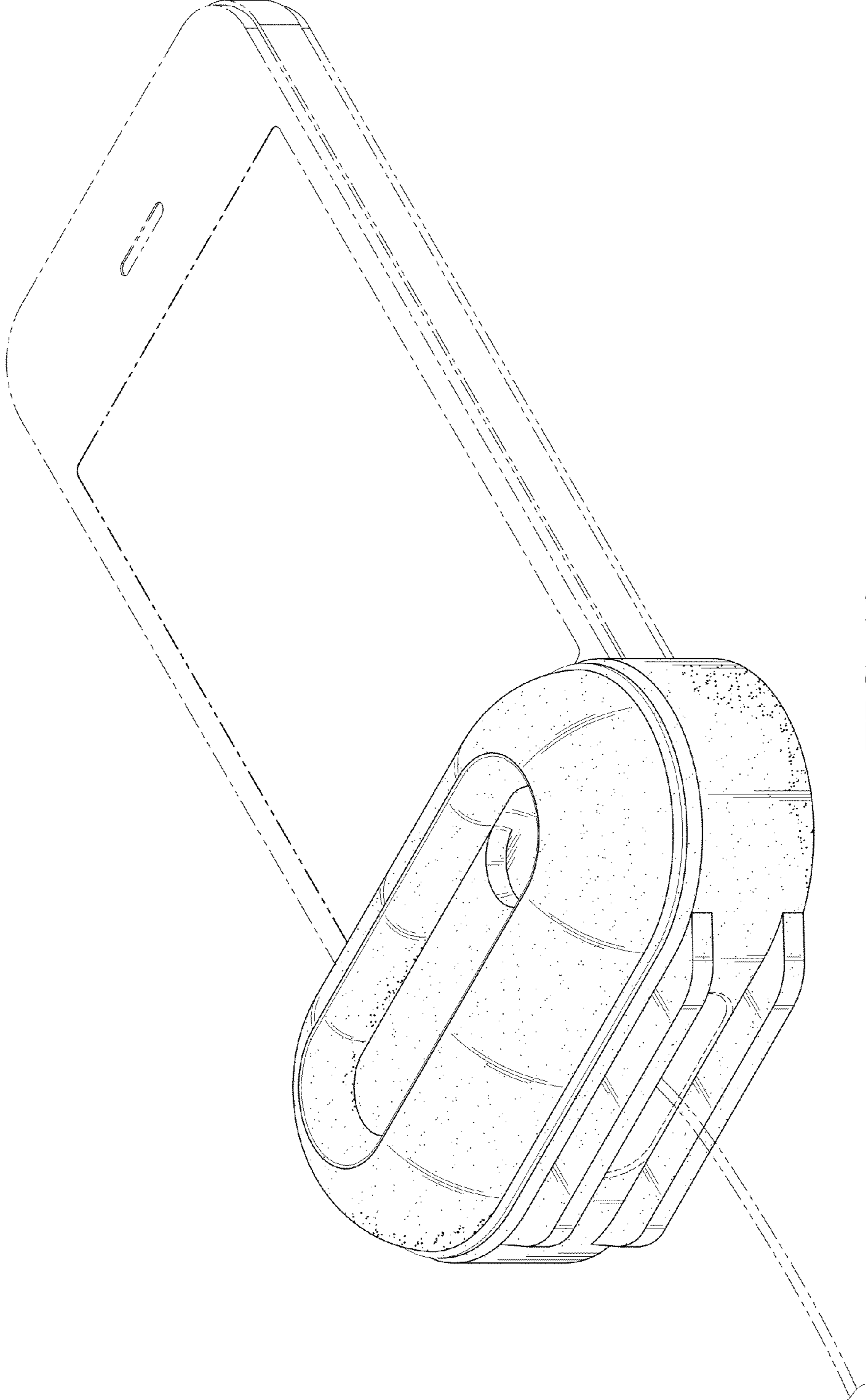


FIG. 10

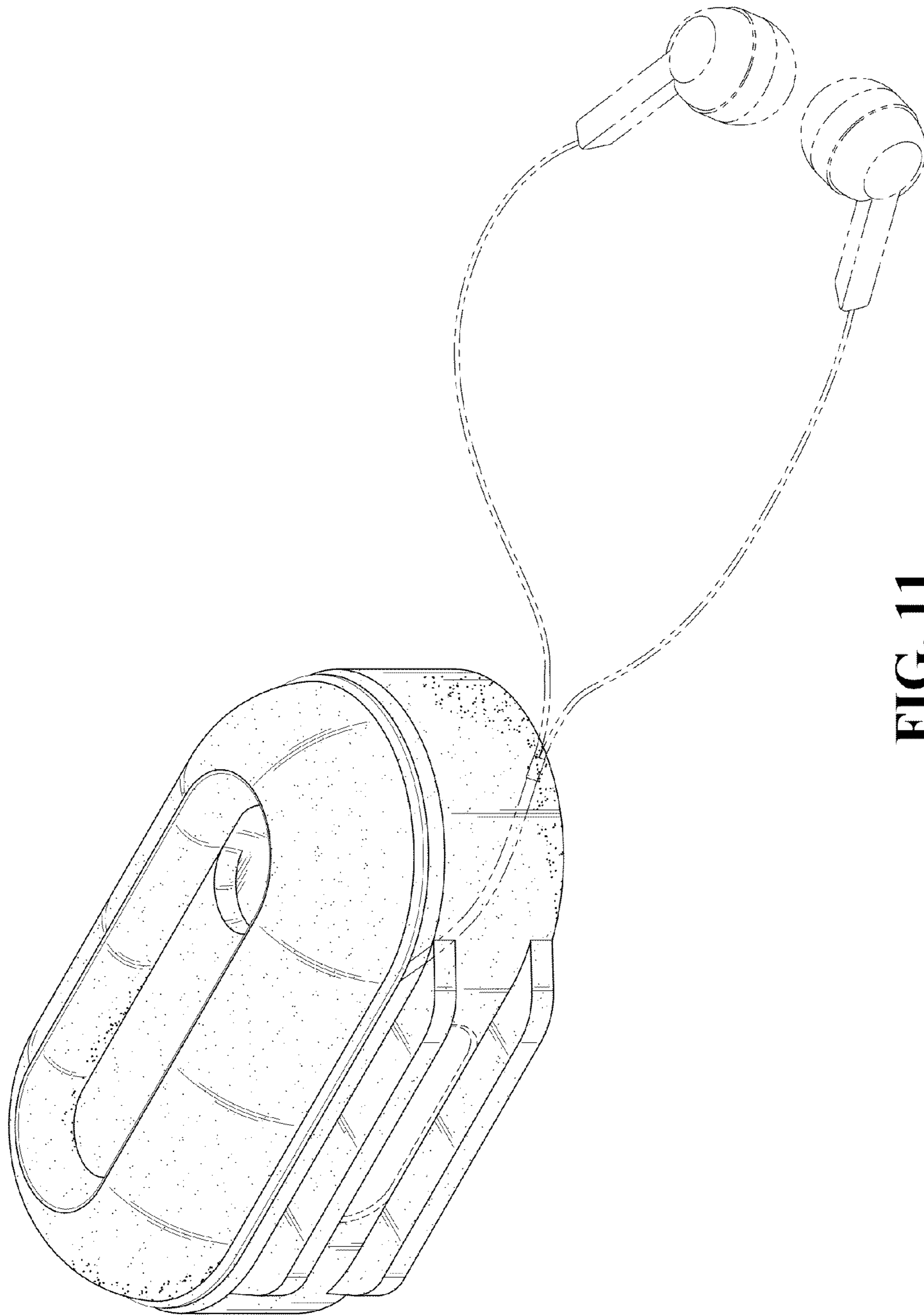


FIG. 11

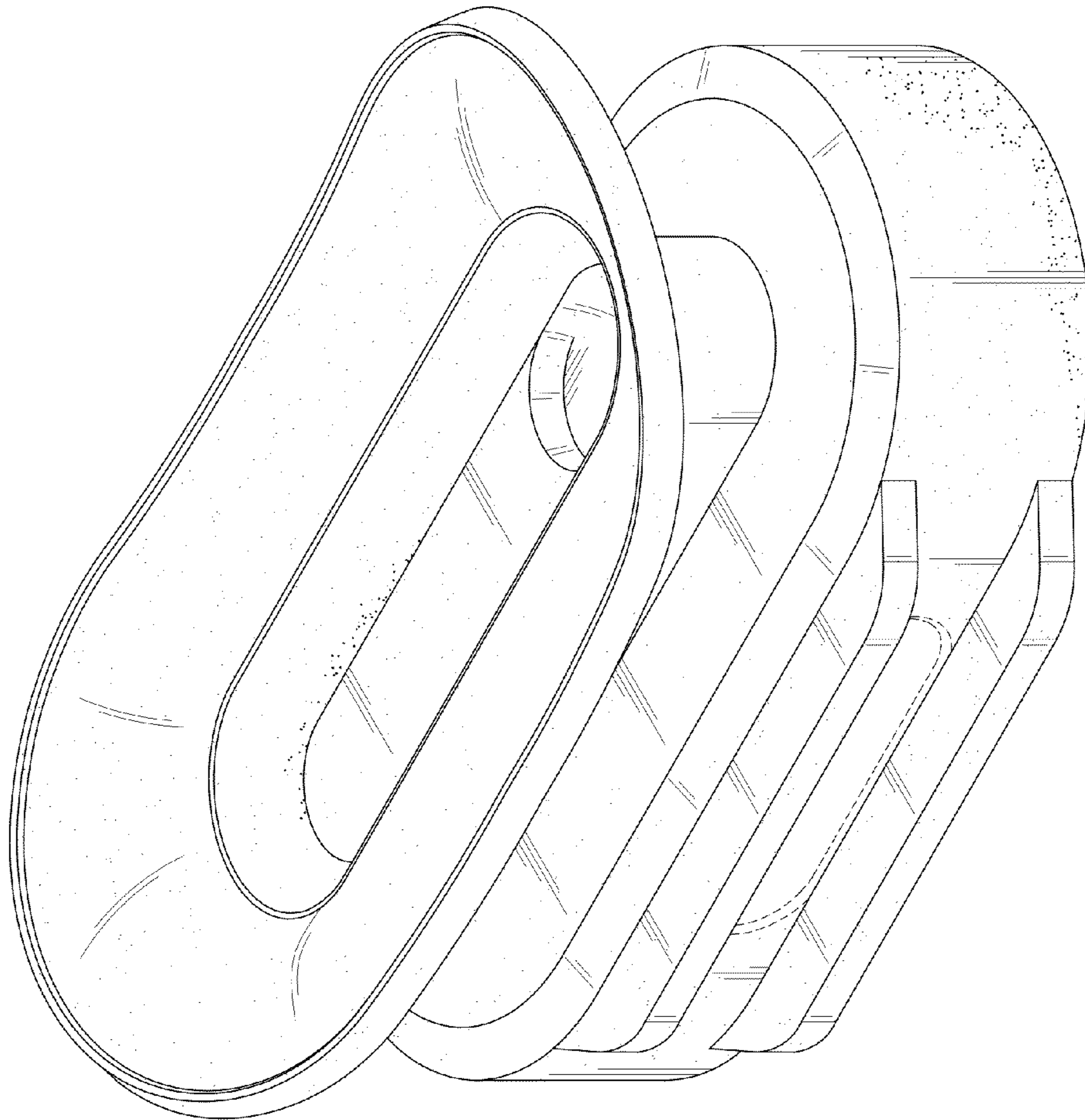


FIG. 12