



US00D728508S

(12) **United States Design Patent**
Breines

(10) **Patent No.:** **US D728,508 S**

(45) **Date of Patent:** **** May 5, 2015**

(54) **FM TRANSMITTER**

(71) Applicant: **Bright Ideas, Inc.**, Agoura Hills, CA
(US)

(72) Inventor: **Robert Breines**, Westlake Village, CA
(US)

(**) Term: **14 Years**

(21) Appl. No.: **29/451,691**

(22) Filed: **Apr. 5, 2013**

(51) **LOC (10) Cl.** **14-03**

(52) **U.S. Cl.**
USPC **D14/155**

(58) **Field of Classification Search**
USPC D14/167, 154, 168, 188, 496, 156, 160,
D14/161, 162, 163, 164, 165, 158, 341, 346,
D14/342, 345, 137, 155, 218, 225;
D16/208; D26/38; 455/351, 350;
D10/104.1, 106, 65

See application file for complete search history.

(56) **References Cited**

U.S. PATENT DOCUMENTS

D522,487 S * 6/2006 Lee et al. D14/155
D531,158 S * 10/2006 Grady D14/155

D544,487 S * 6/2007 Hussaini et al. D14/434
D549,684 S * 8/2007 Lee D14/155
D555,631 S * 11/2007 Hussaini et al. D14/155
D559,227 S * 1/2008 Kim et al. D14/155
D573,578 S * 7/2008 Turksu et al. D14/155
D592,633 S * 5/2009 Hyncek et al. D14/155
D594,440 S * 6/2009 Hyncek et al. D14/155
D598,890 S * 8/2009 Lee et al. D14/155
7,844,303 B2 * 11/2010 Jubelirer 455/569.2
8,036,609 B2 * 10/2011 Everett et al. 455/99
8,473,005 B2 * 6/2013 Srinivas 455/557

* cited by examiner

Primary Examiner — Austin Murphy

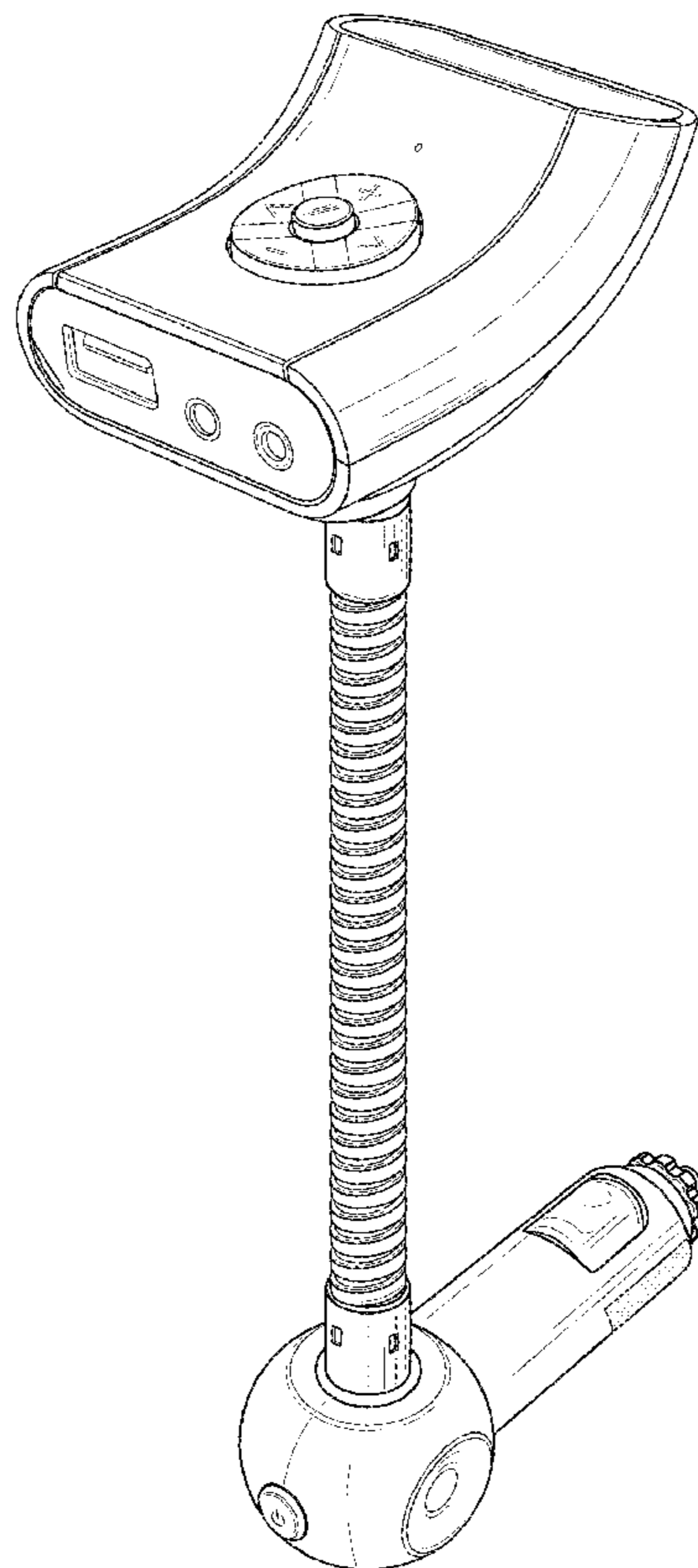
(57) **CLAIM**

I claim the ornamental design for an FM transmitter, as shown and described.

DESCRIPTION

FIG. 1 is a perspective of an FM transmitter showing my new design with a gooseneck portion in a straight configuration; FIG. 2 is a perspective view thereof, showing the gooseneck portion in an alternate configuration; FIG. 3 is a front elevational view of FIG. 1; FIG. 4 is a rear elevational view of FIG. 1; FIG. 5 is a right-side elevational view of FIG. 1; FIG. 6 is a left-side elevational view of FIG. 1; and FIG. 7 is a top plan view of FIG. 1; and, FIG. 8 is a bottom plan view of FIG. 1.

1 Claim, 5 Drawing Sheets



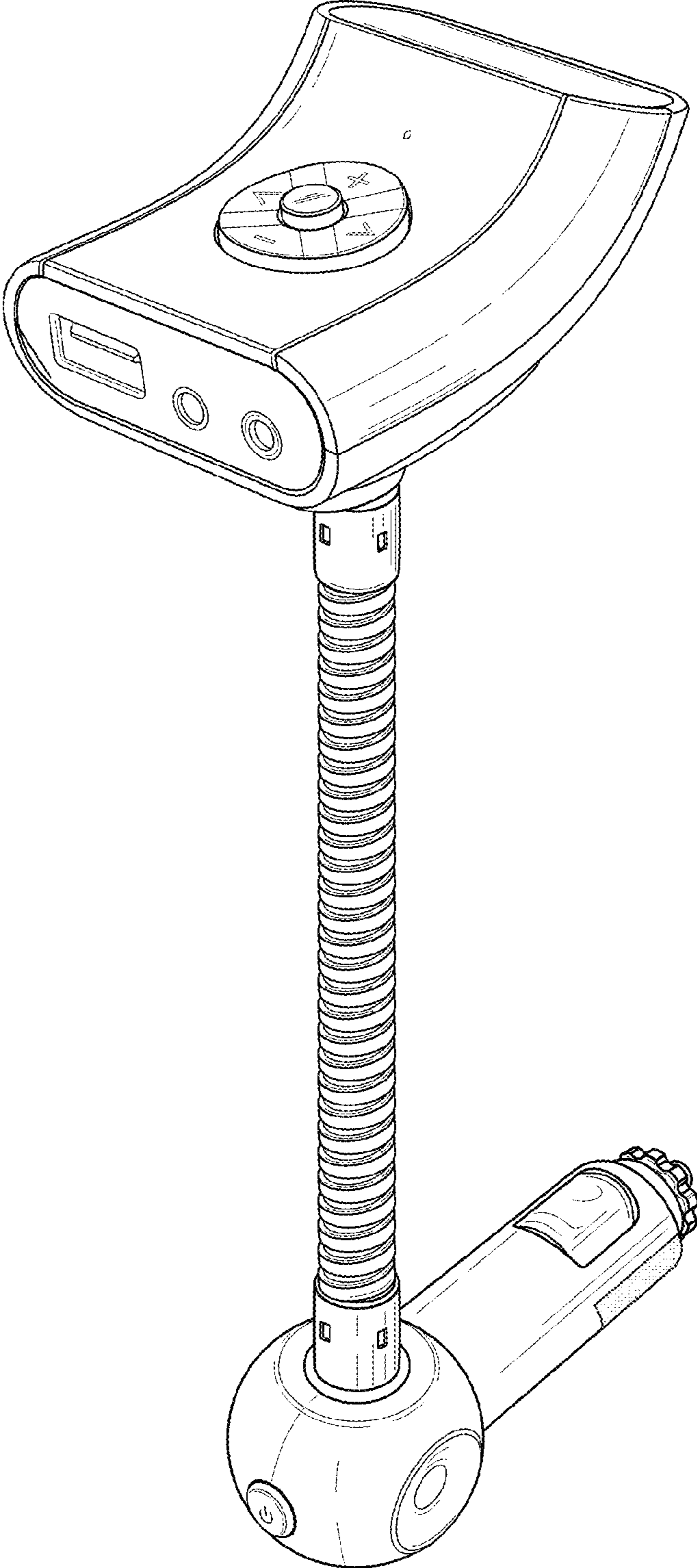


FIG. 1

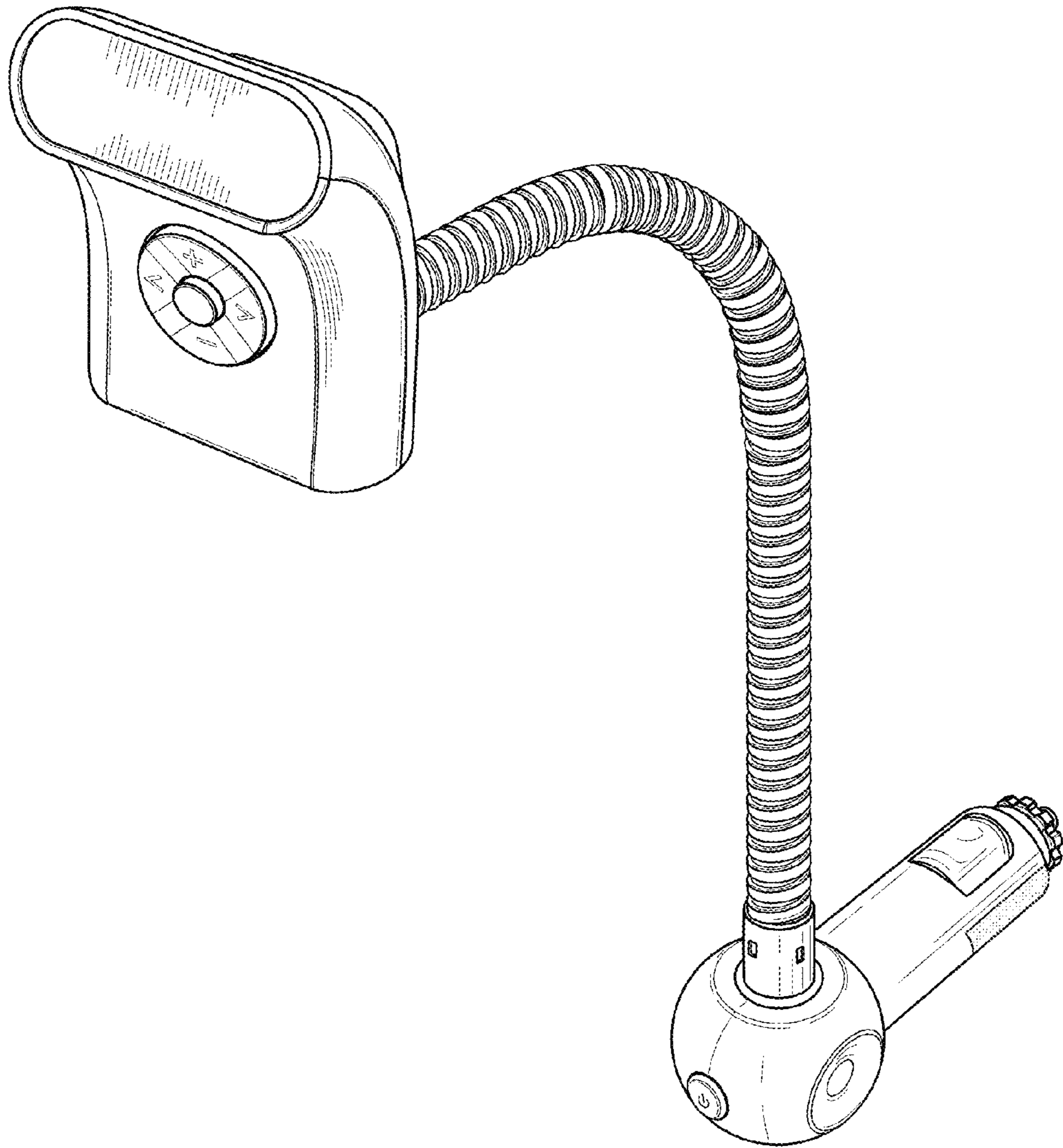


FIG. 2

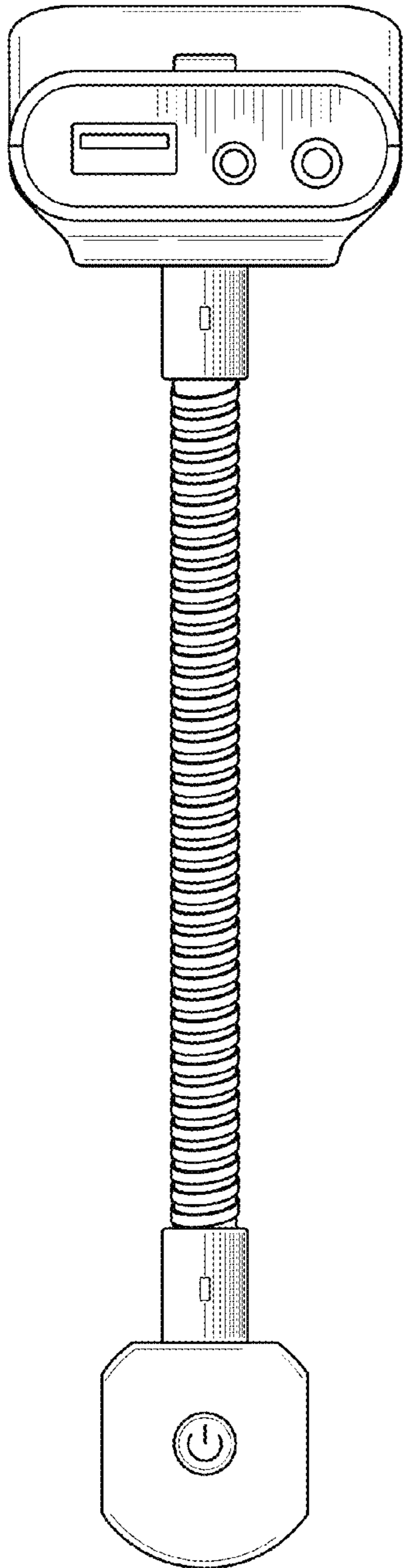


FIG. 3

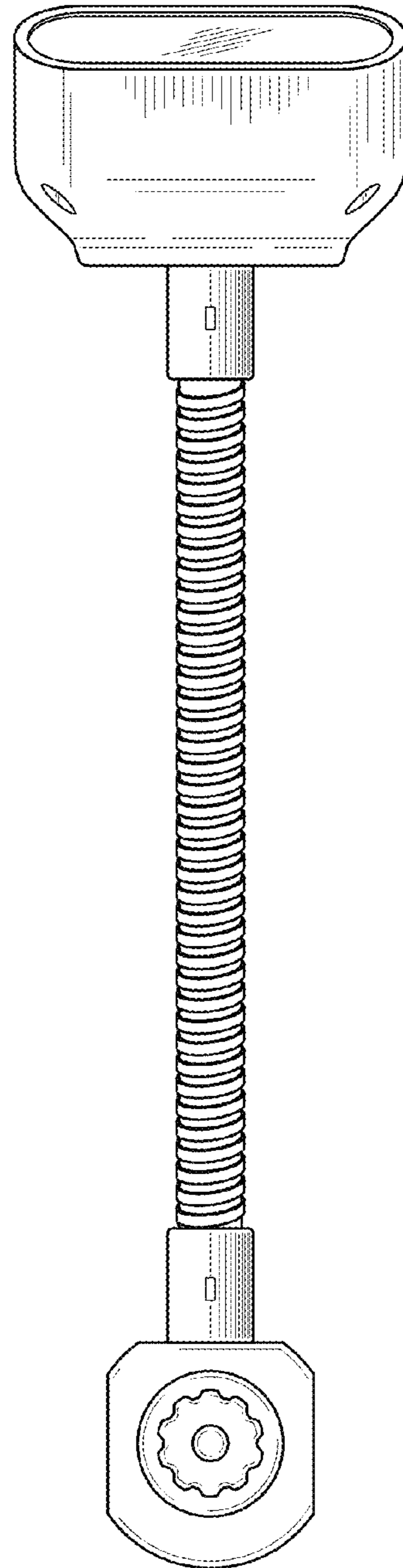


FIG. 4

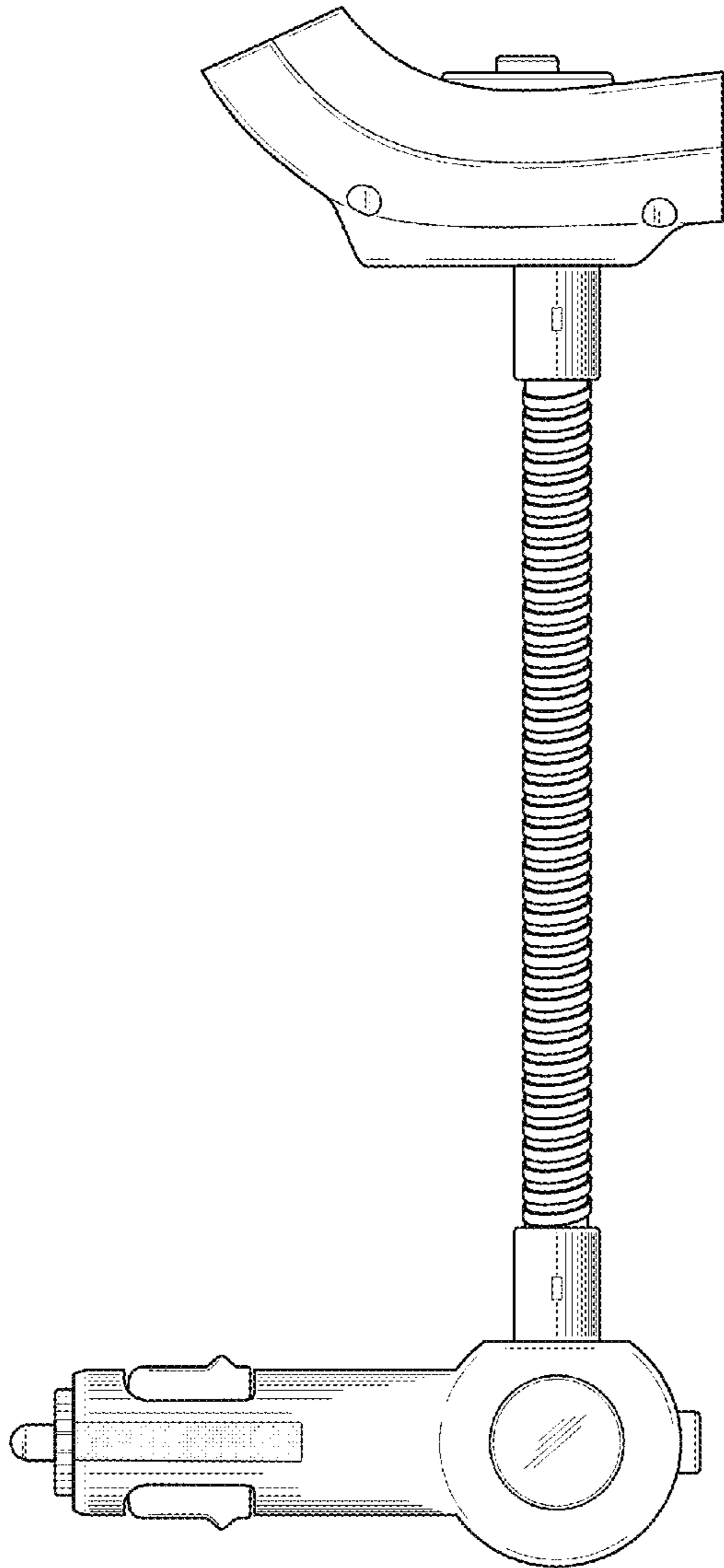


FIG. 5

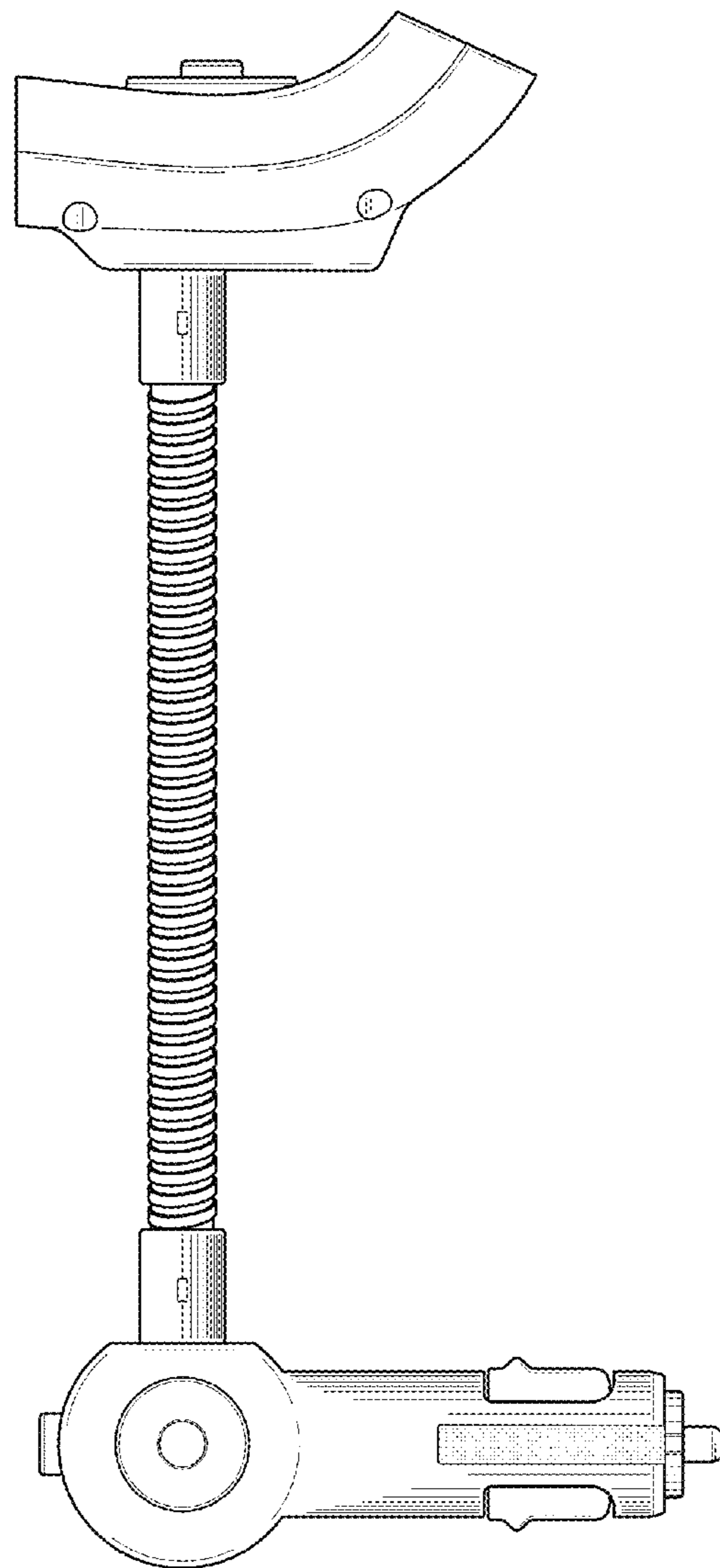


FIG. 6

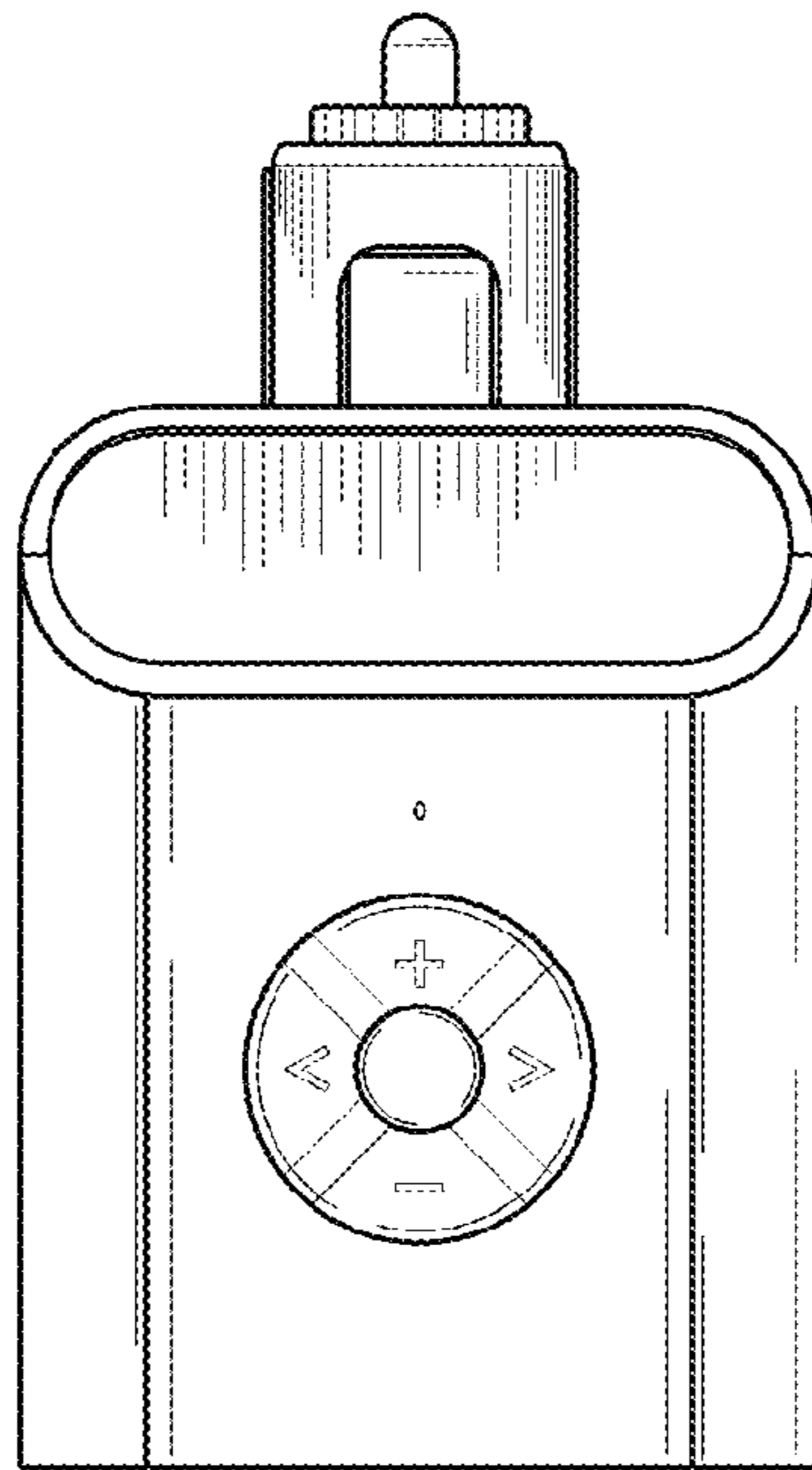


FIG. 7

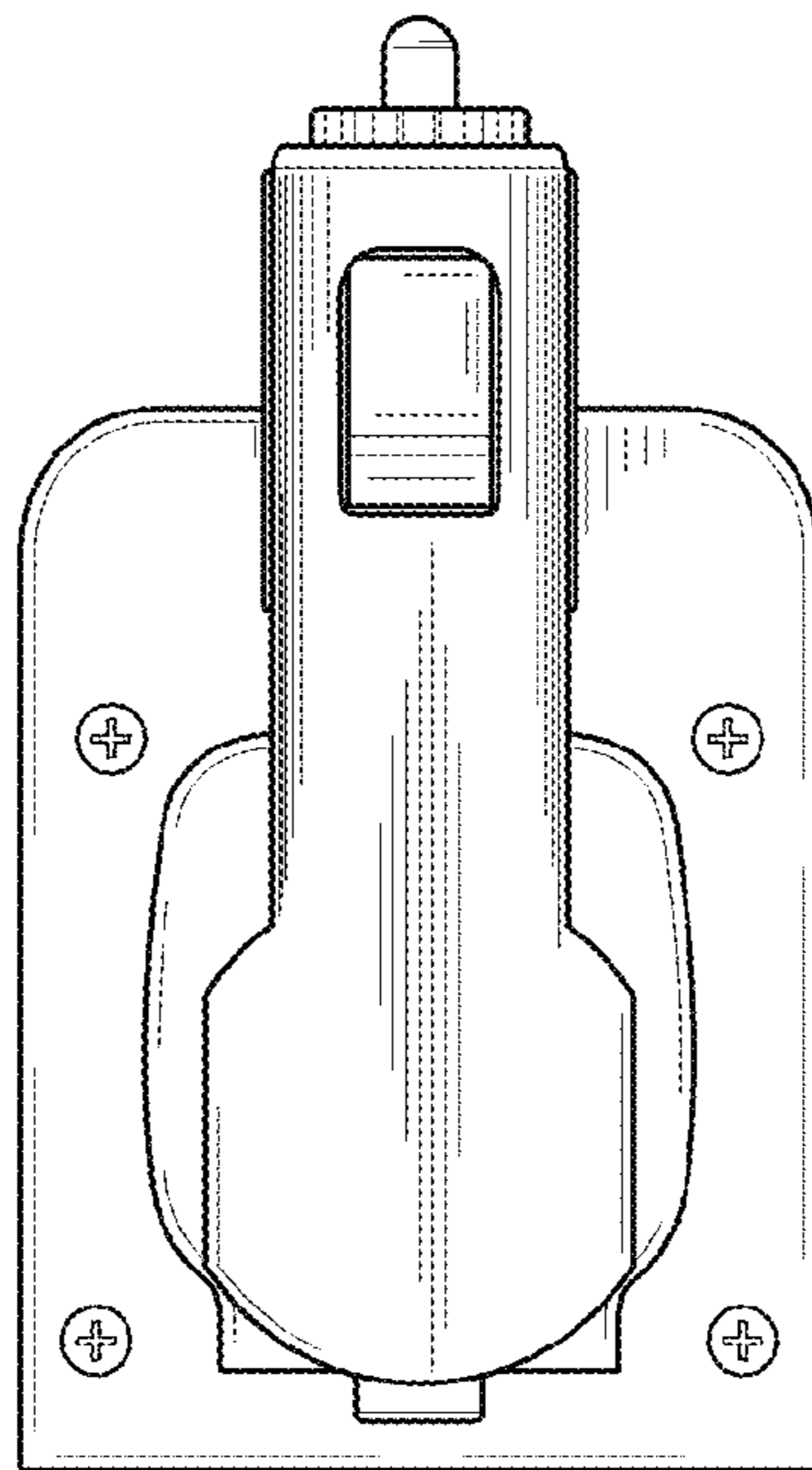


FIG. 8