

US00D728507S

(12) **United States Design Patent**  
**Brandis**

(10) **Patent No.:** **US D728,507 S**  
(45) **Date of Patent:** **\*\* May 5, 2015**

- (54) **DUPLEX SPEAKERPHONE**
- (71) Applicant: **Sennheiser Communications A/S**,  
Solrod Strand (DK)
- (72) Inventor: **Michael Brandis**, Nuremberg (DE)
- (73) Assignee: **Sennheiser Communications A/S**,  
Solrod Strand (DK)
- (\*\*) Term: **14 Years**

D474,169	S	*	5/2003	Fletcher	.....	D14/159
D506,192	S	*	6/2005	Cutler et al.	.....	D14/149
D510,571	S	*	10/2005	Cutler et al.	.....	D14/149
D524,600	S	*	7/2006	Austin et al.	.....	D7/407
D598,003	S	*	8/2009	Park	.....	D14/149
D656,130	S	*	3/2012	Bailey	.....	D14/227
D677,646	S	*	3/2013	Kellar	.....	D14/149
D682,805	S	*	5/2013	Rath	.....	D14/149
D700,904	S	*	3/2014	Miller et al.	.....	D14/218
D703,566	S	*	4/2014	Chen et al.	.....	D10/106.5
D704,177	S	*	5/2014	Chun et al.	.....	D14/240
D704,178	S	*	5/2014	Kwak et al.	.....	D14/240
2005/0084121	A1	*	4/2005	Muren et al.	.....	381/171

(21) Appl. No.: **29/470,420**

(22) Filed: **Oct. 21, 2013**

(30) **Foreign Application Priority Data**

Apr. 23, 2013 (EM) ..... 002225235

(51) **LOC (10) Cl.** ..... **14-03**

(52) **U.S. Cl.**  
USPC ..... **D14/149**

(58) **Field of Classification Search**  
CPC ..... H04R 5/02; H04R 1/02; H04R 1/08;  
H04R 1/00; H04R 9/08; H04R 2420/07  
USPC ..... D14/149, 223-229, 137, 150, 155, 159,  
D14/167, 168, 172, 191, 192, 194, 203.3,  
D14/217, 240, 242, 243, 251, 253, 431, 432,  
D14/434, 496, 402-409; 381/26, 87, 92,  
381/168, 169, 161, 171, 336, 361, 363, 385,  
381/386; 455/561, 569.1, 575.1; D23/385,  
D23/411, 412; D10/106.5  
See application file for complete search history.

(56) **References Cited**

**U.S. PATENT DOCUMENTS**

D257,346	S	*	10/1980	Garrigus et al.	.....	D14/228
D279,769	S	*	7/1985	Thornton et al.	.....	D10/106.5
D292,283	S	*	10/1987	Matsuda et al.	.....	D14/240

(Continued)

**OTHER PUBLICATIONS**

Jabra 510 UC and the Plantronics Calisto 620 UC Speakerphones Go Head to Head (Gear Diary Review). Geardiary.com [online] 7 pages. Posted Aug. 30, 2013 [retrieved on Jul. 23, 2014]. Retrieved from Internet: <<http://geardiary.com/2013/08/30/jabra-510-uc-and-the-plantronics-calisto-620-uc-speakerphones-go-head-to-head/>>.\*

*Primary Examiner* — Susan Bennett Hattan

*Assistant Examiner* — Marie Fast Horse

(74) *Attorney, Agent, or Firm* — Birch, Stewart, Kolasch & Birch, LLP

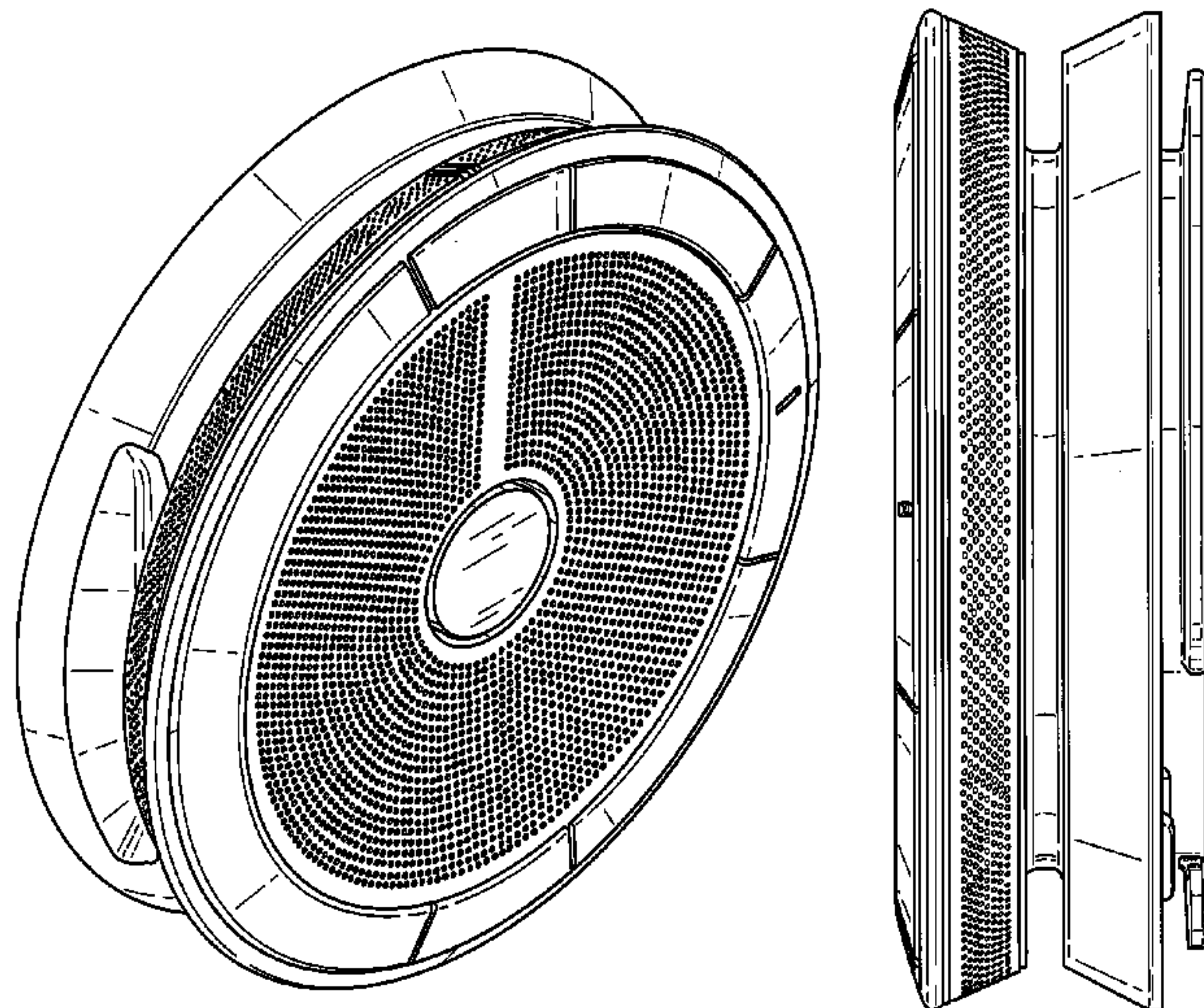
(57) **CLAIM**

The ornamental design for a duplex speakerphone, as shown and described.

**DESCRIPTION**

FIG. 1 is an isometric view of the duplex speakerphone; FIG. 2 is a rear view of the duplex speakerphone; FIG. 3 is a front view of the duplex speakerphone; FIG. 4 is a right side view of the duplex speakerphone; FIG. 5 is a left side view of the duplex speakerphone; FIG. 6 is a top side view of the duplex speakerphone; and, FIG. 7 is a bottom view of the duplex speakerphone.

**1 Claim, 5 Drawing Sheets**



# US D728,507 S

Page 2

---

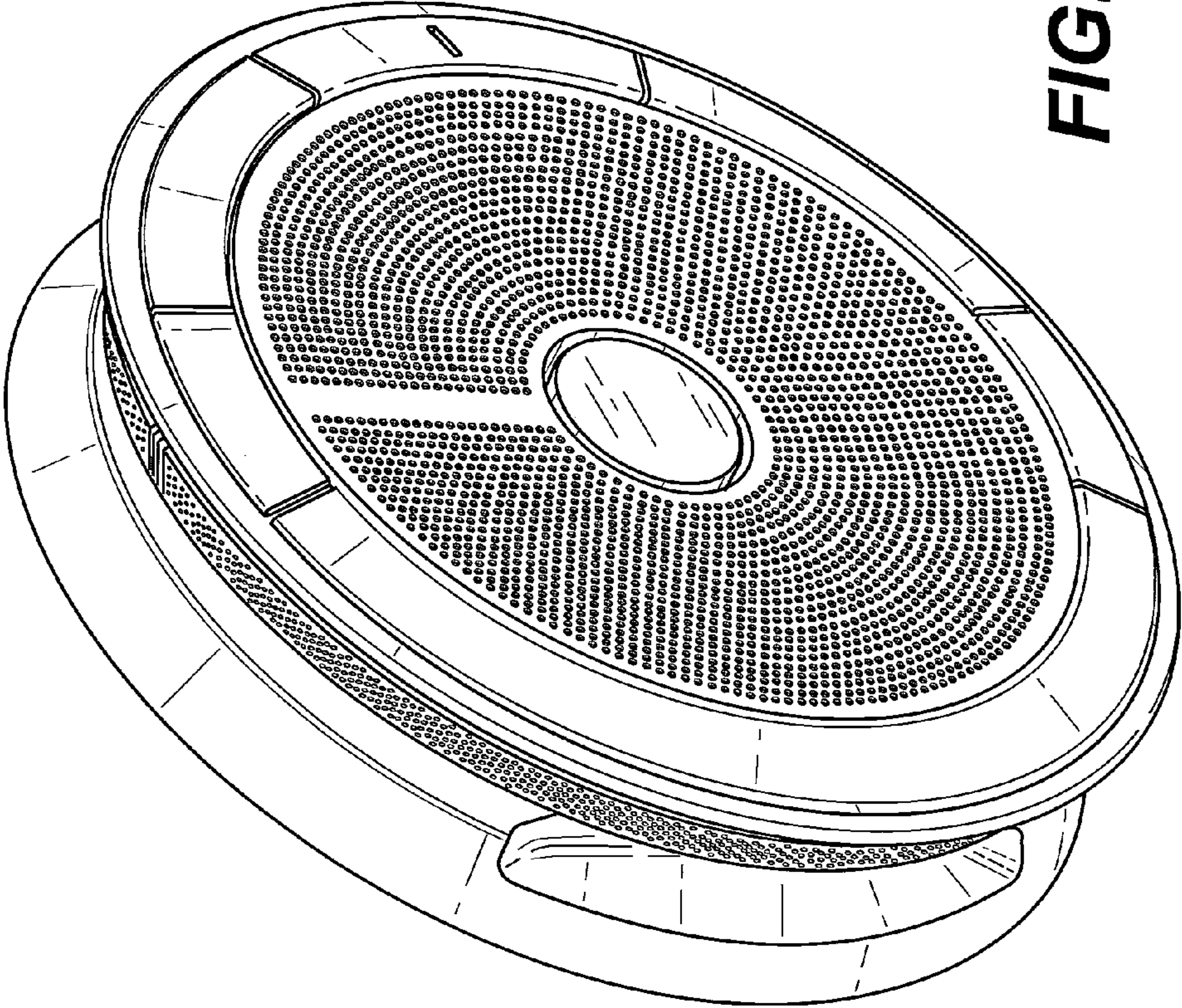
(56)

## References Cited

### U.S. PATENT DOCUMENTS

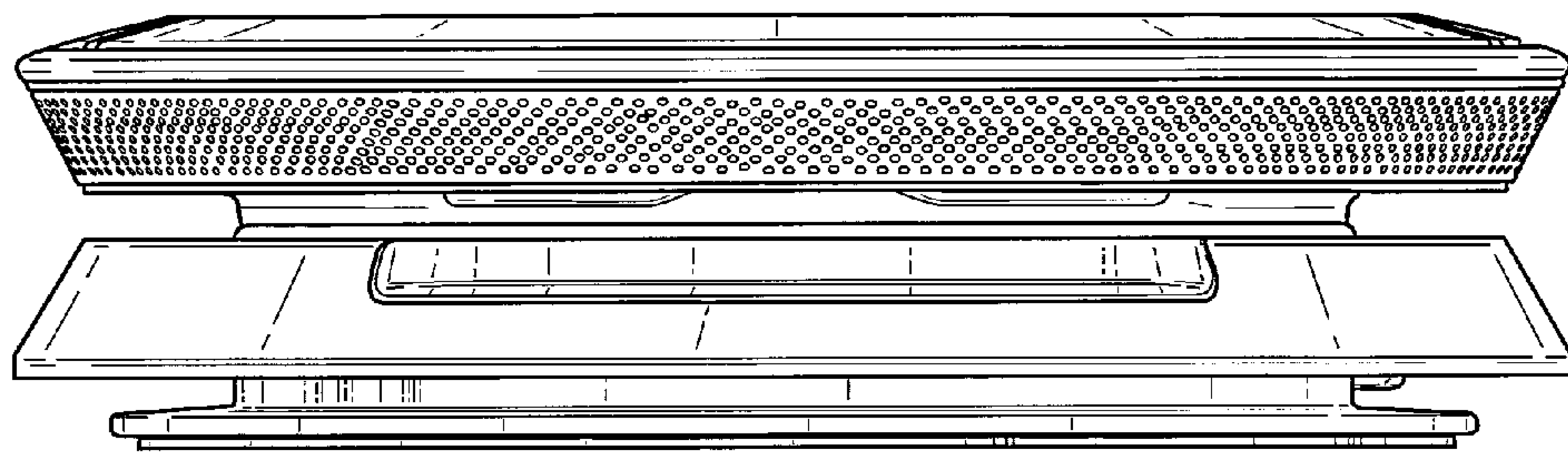
2012/0281057	A1*	11/2012	Couse	.....	348/14.03
2013/0016873	A1*	1/2013	Trainer	.....	381/430
2013/0155173	A1*	6/2013	Brady et al.	.....	348/14.03
2009/0002476	A1*	1/2009	Cutler	.....	348/14.01
2012/0224714	A1*	9/2012	Couse et al.	.....	381/92

\* cited by examiner

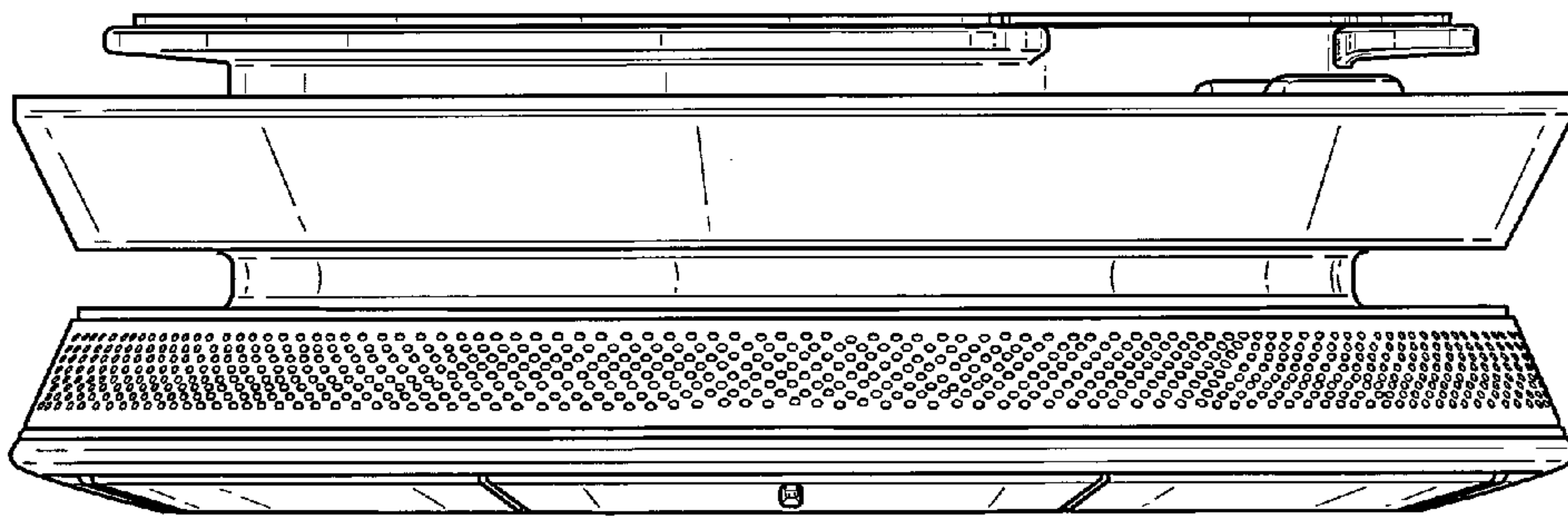


**FIG. 1**

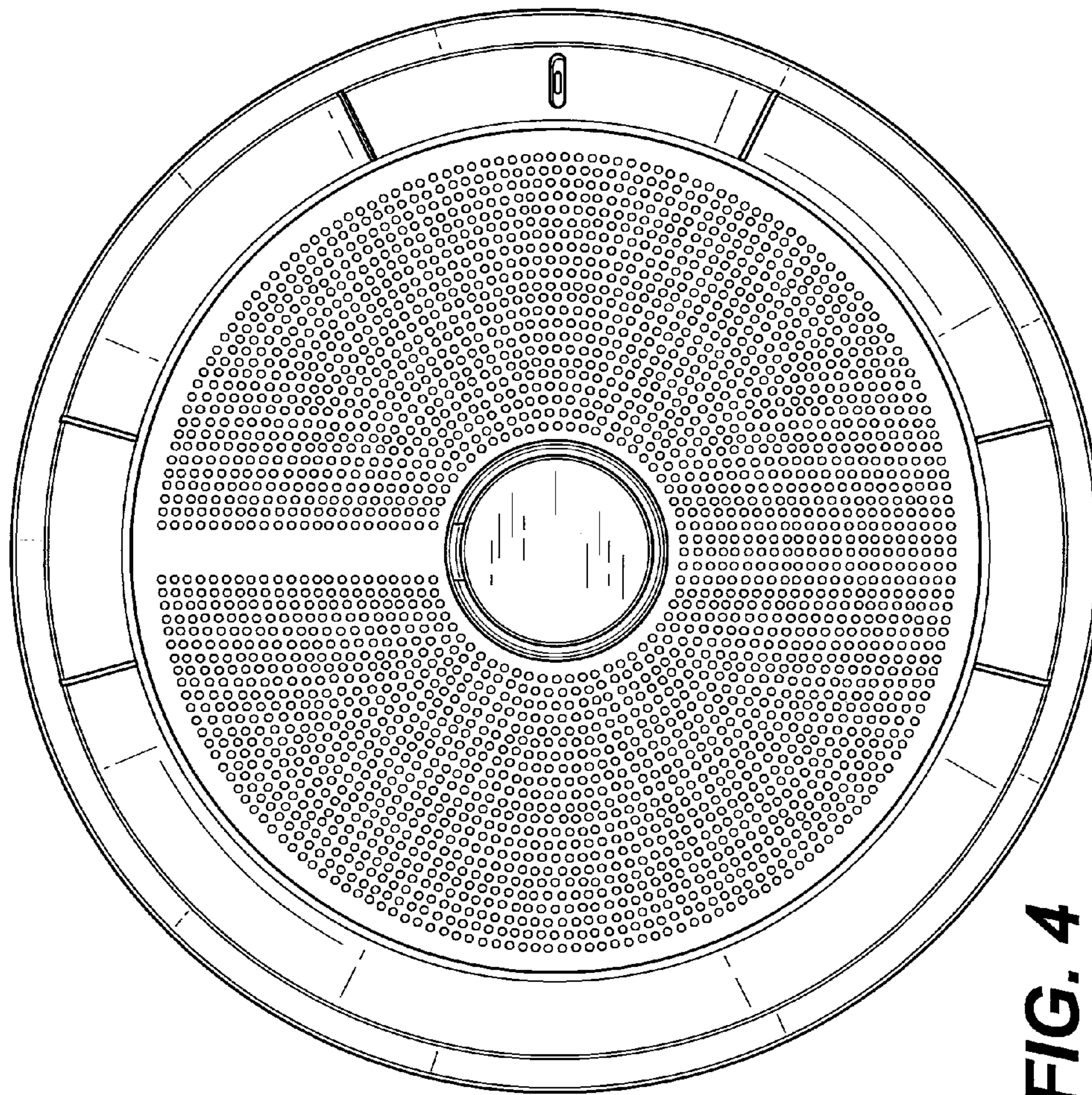




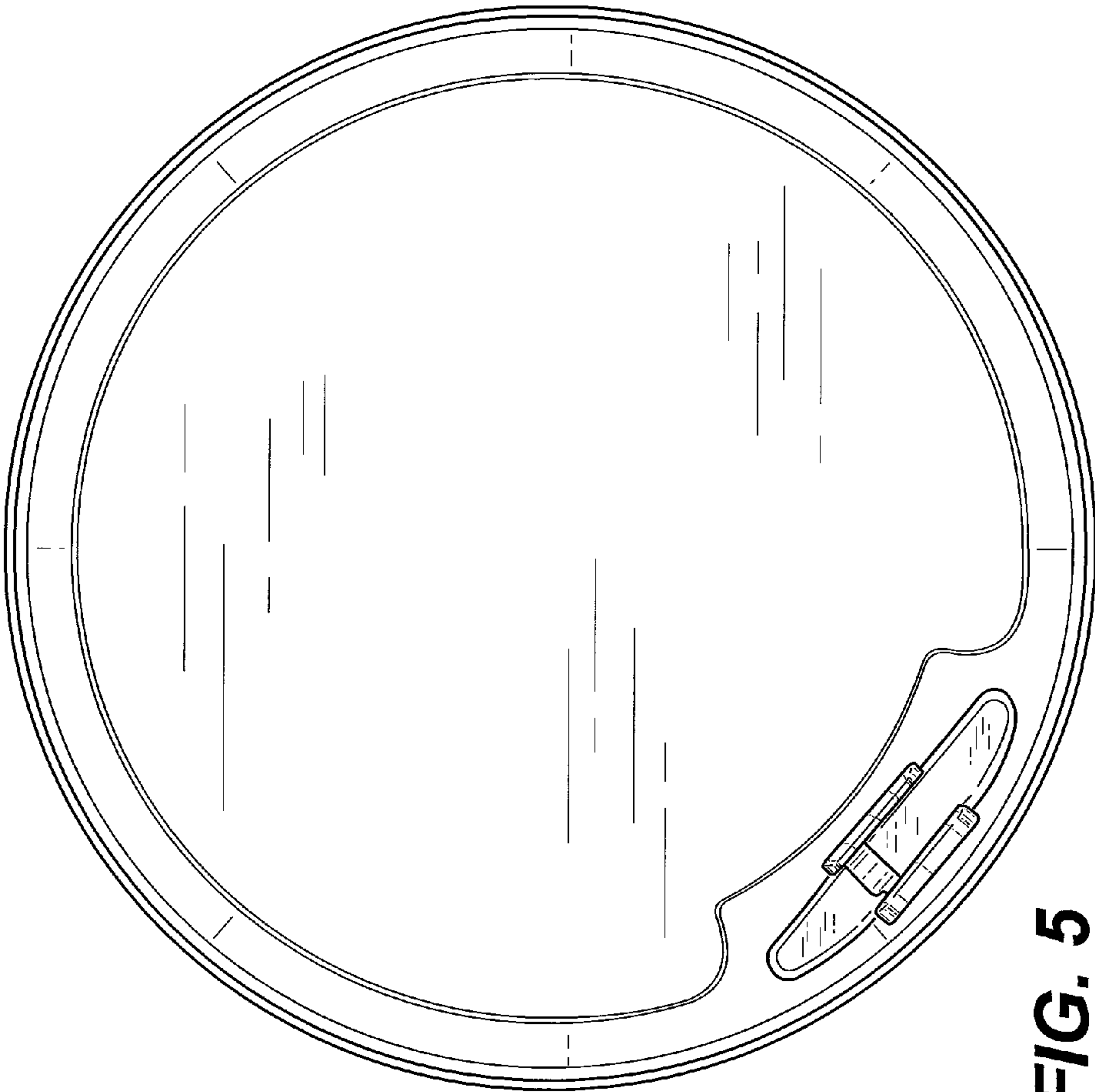
**FIG. 3**



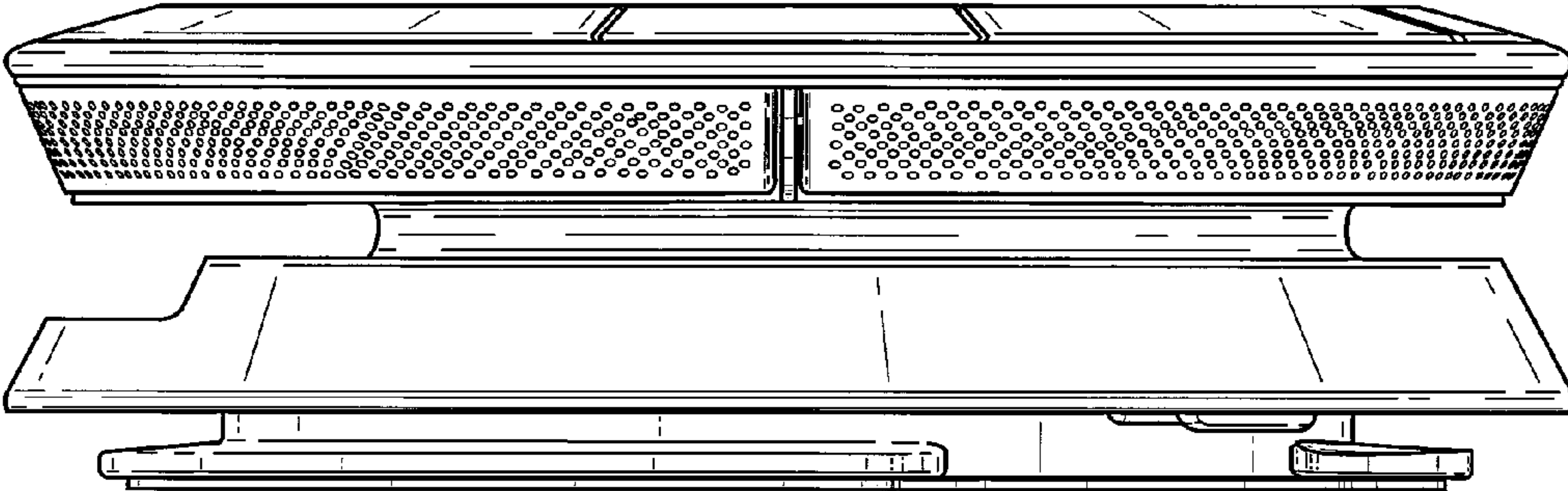
**FIG. 2**



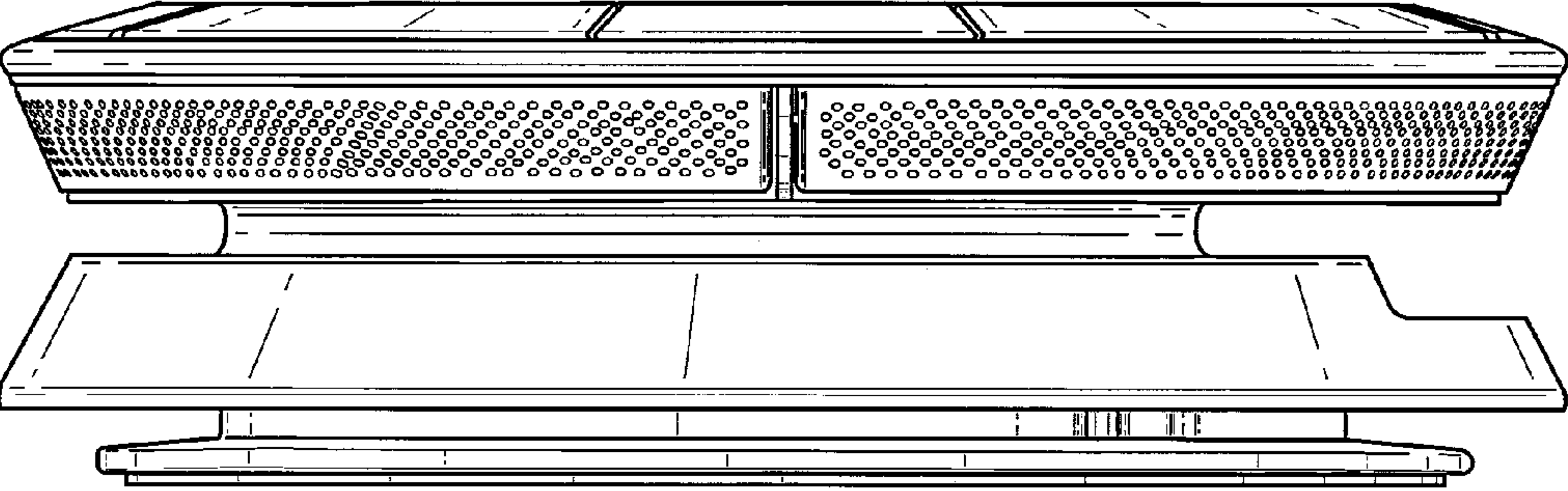
**FIG. 4**



**FIG. 5**



**FIG. 7**



**FIG. 6**