



US00D728505S

(12) **United States Design Patent**
Chung

(10) **Patent No.:** **US D728,505 S**

(45) **Date of Patent:** **** May 5, 2015**

(54) **PORTABLE TERMINAL**

(71) Applicant: **Samsung Electronics Co., Ltd.**,
Suwon-si (KR)

(72) Inventor: **In-Sik Chung**, Seoul (KR)

(73) Assignee: **Samsung Electronics Co., Ltd.**,
Suwon-si (KR)

(**) Term: **14 Years**

(21) Appl. No.: **29/464,564**

(22) Filed: **Aug. 19, 2013**

(30) **Foreign Application Priority Data**

Feb. 18, 2013 (KR) 30-2013-0008375

(51) **LOC (10) Cl.** **14-03**

(52) **U.S. Cl.**
USPC **D14/138 G**

(58) **Field of Classification Search**

USPC D14/138 G, 138 AD, 138 R, 496, 203.1,
D14/203.3, 203.5, 203.7, 248, 218, 341,
D14/138 AC, 250; D21/517, 329, 331;
D13/168; D10/65, 78; 455/575.1,
455/556.1, 556.2; 379/433.01, 433.04;
361/679.3, 679.56

See application file for complete search history.

(56) **References Cited**

U.S. PATENT DOCUMENTS

D619,556 S * 7/2010 Han et al. D14/138 G
D651,601 S * 1/2012 Ichise D14/341
D656,118 S * 3/2012 Kim et al. D14/138 G
D672,768 S * 12/2012 Huang et al. D14/341
D682,239 S * 5/2013 Yeh et al. D14/138 G
D687,002 S * 7/2013 Song et al. D14/138 G
8,561,831 B2 * 10/2013 Liao 220/602
D695,252 S * 12/2013 Song et al. D14/138 G
D696,247 S * 12/2013 Kim D14/341
D696,654 S * 12/2013 Lee D14/248

(Continued)

OTHER PUBLICATIONS

Acer Liquid C1, announced Jan. 2013, [online], [site visited Dec. 4, 2014]. Available from Internet, <URL: http://www.gsmarena.com/acer_liquid_c1-5276.php>.*

Oppo R817 Real, announced Oct. 2012, [online], [site visited Dec. 4, 2014]. Available from Internet, <URL: http://www.gsmarena.com/oppo_r817_real-5170.php>.*

(Continued)

Primary Examiner — Jeffrey D Asch

Assistant Examiner — Sanjeev Paul

(74) *Attorney, Agent, or Firm* — NSIP Law

(57) **CLAIM**

The ornamental design for a portable terminal, as shown and described.

DESCRIPTION

FIG. 1 is a front perspective view of a portable terminal showing our new design;

FIG. 2 is a front view thereof;

FIG. 3 is a rear view thereof;

FIG. 4 is a left-side view thereof;

FIG. 5 is a right-side view thereof;

FIG. 6 is a top view thereof;

FIG. 7 is a bottom view thereof;

FIG. 8 is an enlarged view of the encircled portion A as shown in FIG. 4;

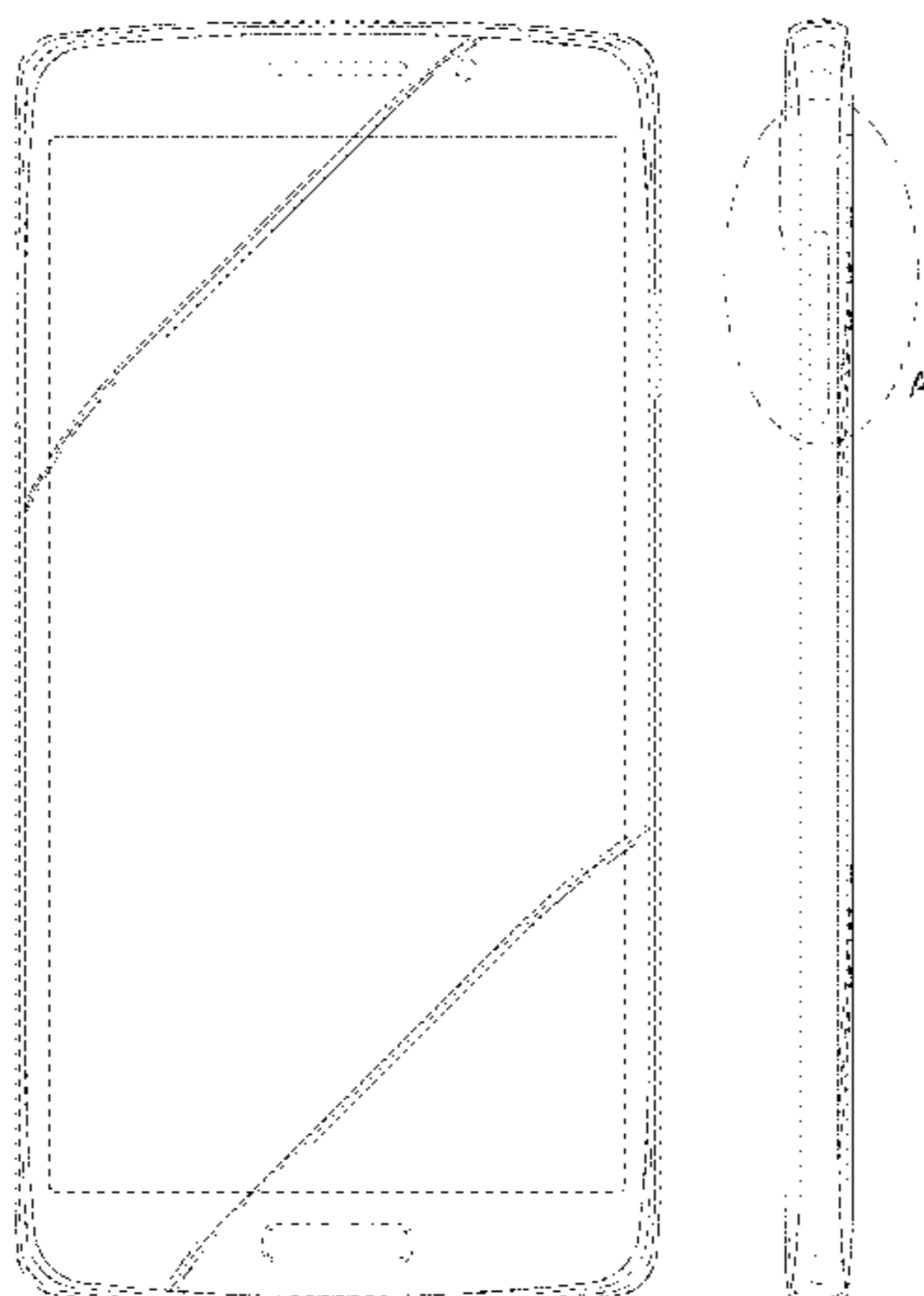
FIG. 9 is an enlarged view of the encircled portion B as shown in FIG. 5; and,

FIG. 10 is an enlarged view of the encircled portion C as shown in FIG. 7.

The broken lines shown in the figures that are immediately adjacent to the shaded areas and define regions that are consistently unshaded, represent the bounds of the claim, while all other broken lines, including those within the broken line boundaries and those that have been shaded through, are directed to non-claimed environment; the broken lines form no part of the claimed design.

The dot-dash broken lines encircling portions of the claimed design that are illustrated in enlargements form no part of the claimed design.

1 Claim, 7 Drawing Sheets



(56)

References Cited

U.S. PATENT DOCUMENTS

D697,889	S *	1/2014	Ahn et al.	D14/138	G
D698,332	S *	1/2014	Ryu	D14/138	G
D698,782	S *	2/2014	Hong	D14/341	
D699,206	S *	2/2014	Kim	D14/138	G
D699,207	S *	2/2014	Kim	D14/138	G
D700,163	S *	2/2014	Huang et al.	D14/138	G
D701,191	S *	3/2014	Suk	D14/138	G
D701,192	S *	3/2014	Park	D14/138	G
D701,848	S *	4/2014	Im	D14/138	G
D701,849	S *	4/2014	Kim	D14/138	G
D702,203	S *	4/2014	Son	D14/138	G

OTHER PUBLICATIONS

LG Optimus 2X, announced Dec. 2010, [online], [site visited Dec. 4, 2014]. Available from Internet, <URL: http://www.gsmarena.com/lg_optimus_2x-3598.php>.*

Oppo R2001 Yoyo, announced May 2014, [online], [site visited Dec. 4, 2014]. Available from Internet, <URL: http://www.gsmarena.com/oppo_r2001_yoyo-6703.php>.*

LG Optimus LTE SU640, announced Oct. 2011, [online], [site visited Dec. 4, 2014]. Available from Internet, <URL: http://www.gsmarena.com/lg_optimus_lte_su640-4213.php>.*

LG Optimus G Pro E985, announced Feb. 2013, [online], [site visited Dec. 4, 2014]. Available from Internet, <URL: http://www.gsmarena.com/lg_optimus_g_pro_e985-5254.php>.*

* cited by examiner

FIG. 1

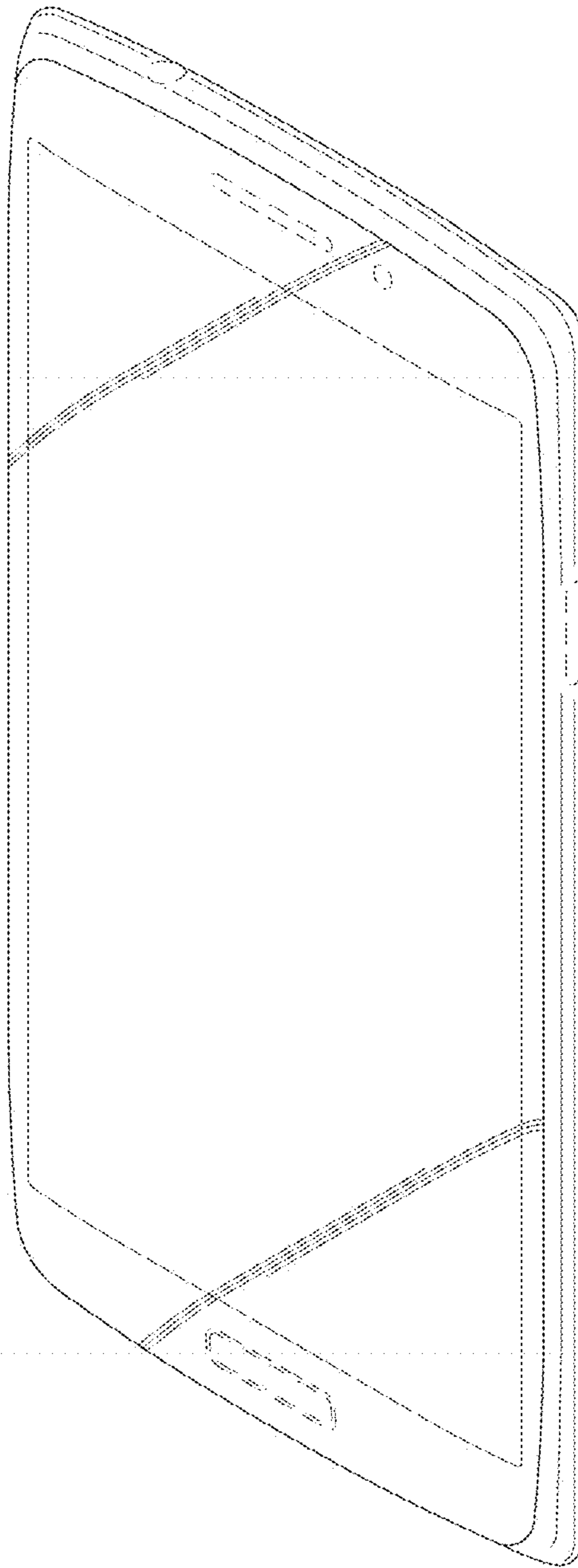


FIG.2

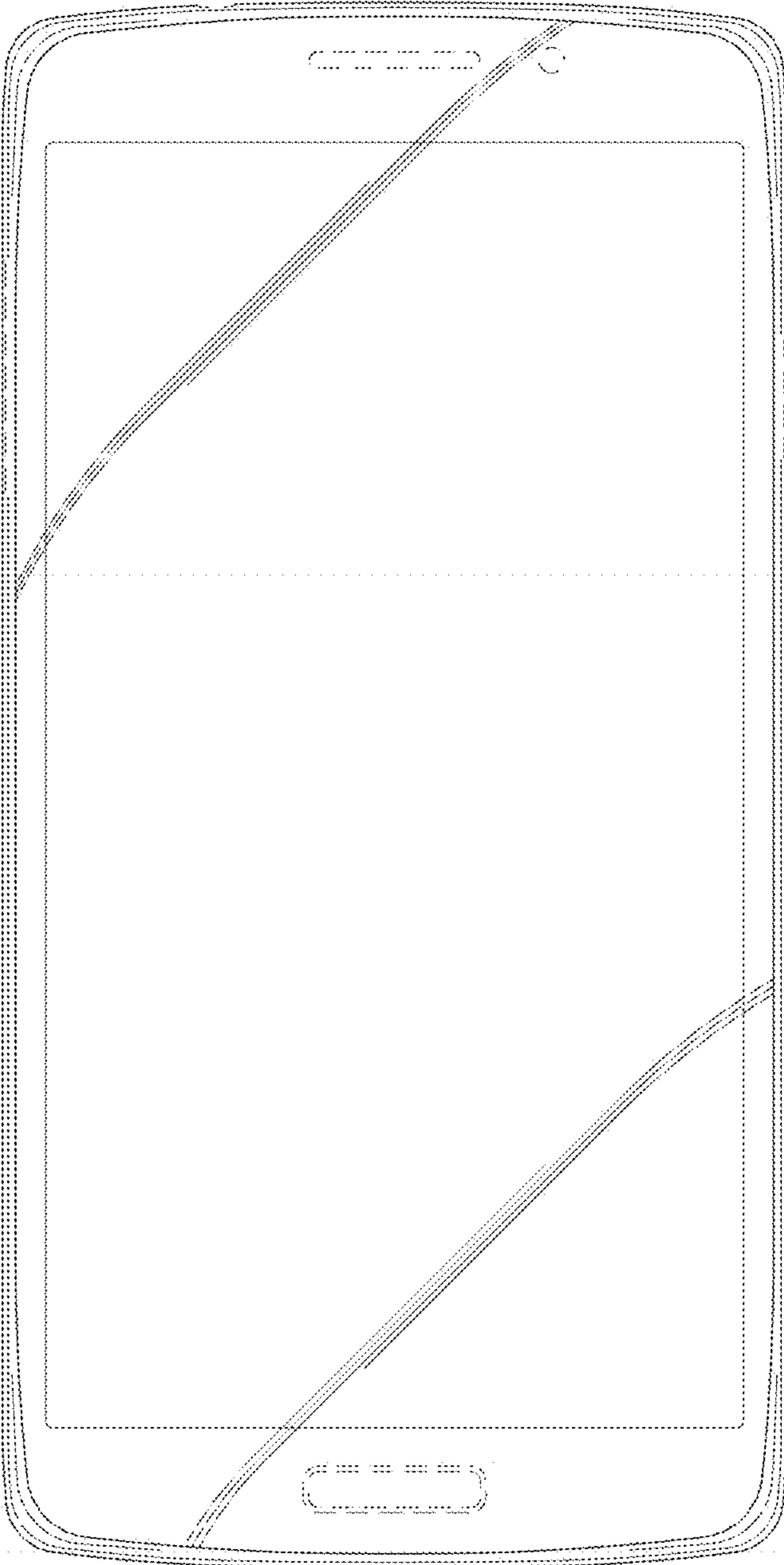


FIG.3

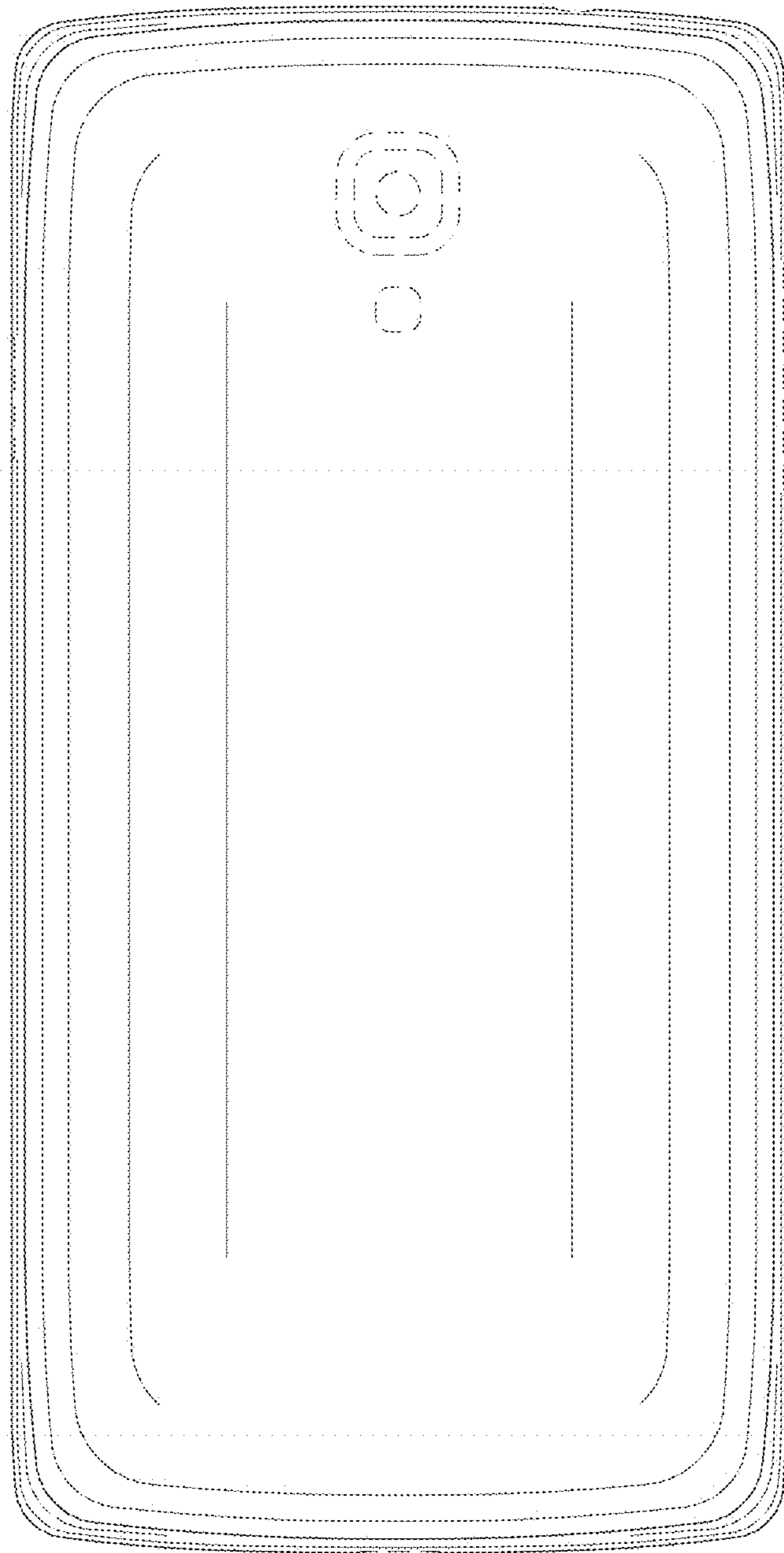


FIG.4

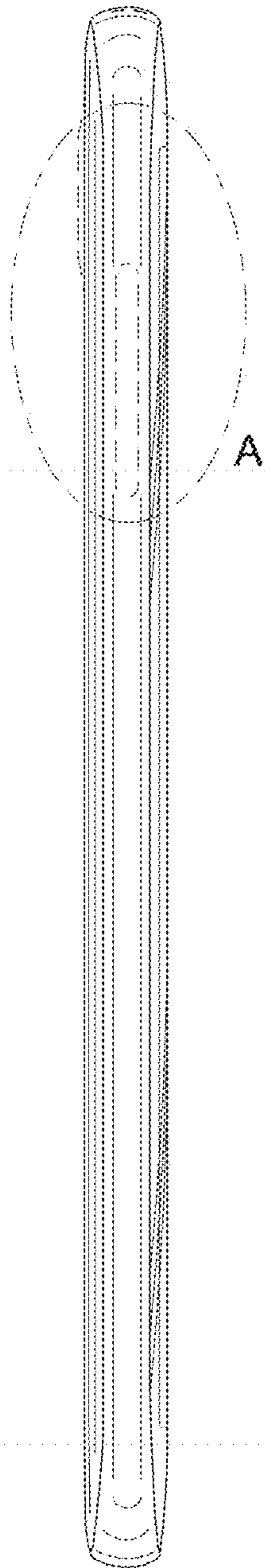


FIG.5

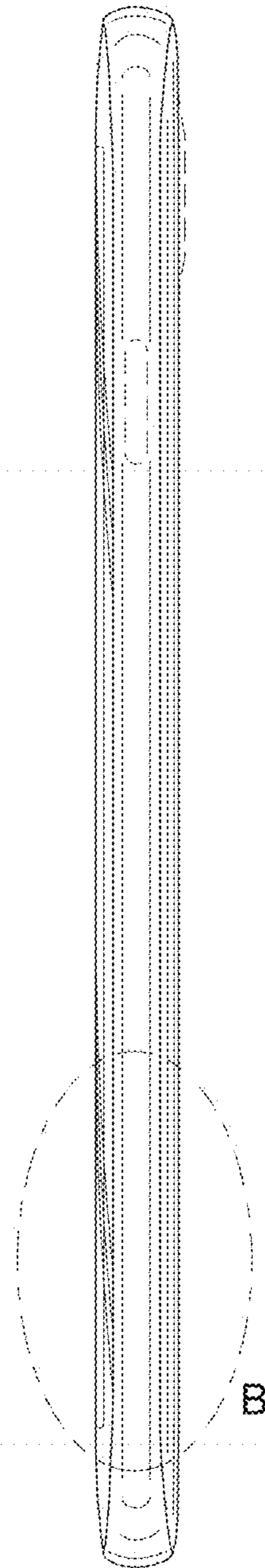


FIG.6

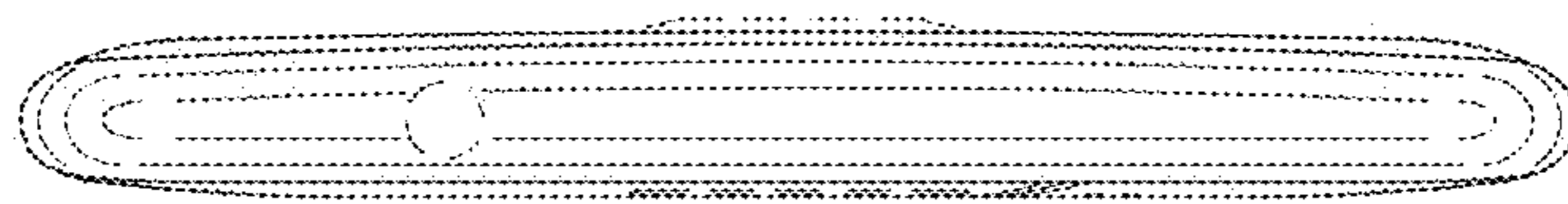


FIG.7

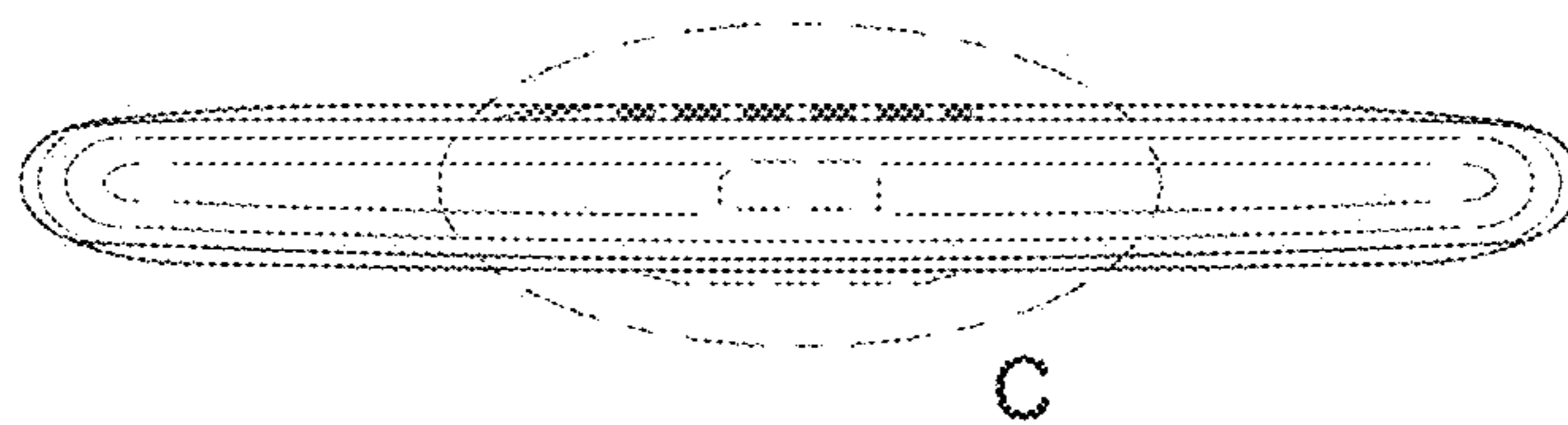


FIG.8

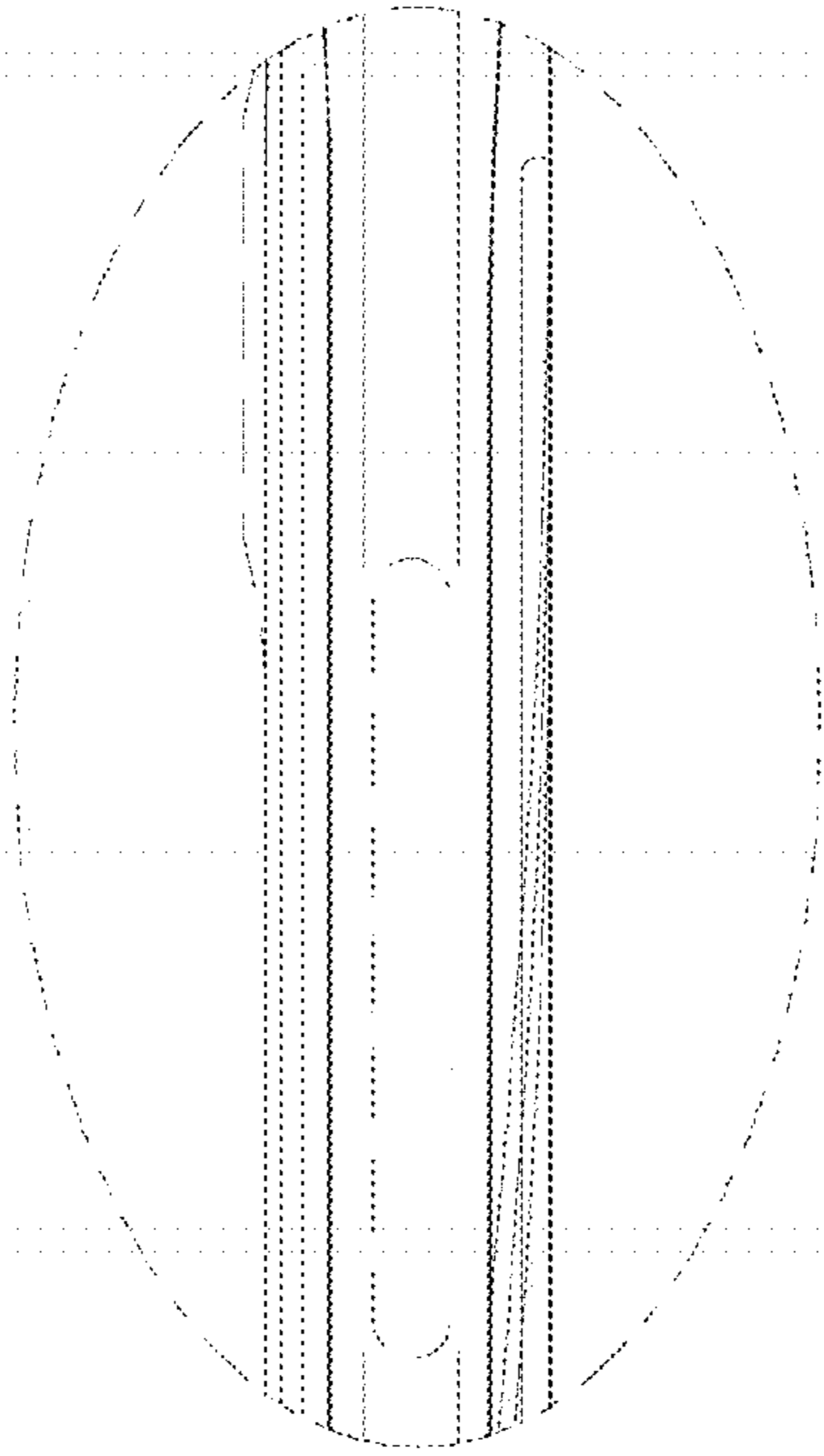


FIG.9

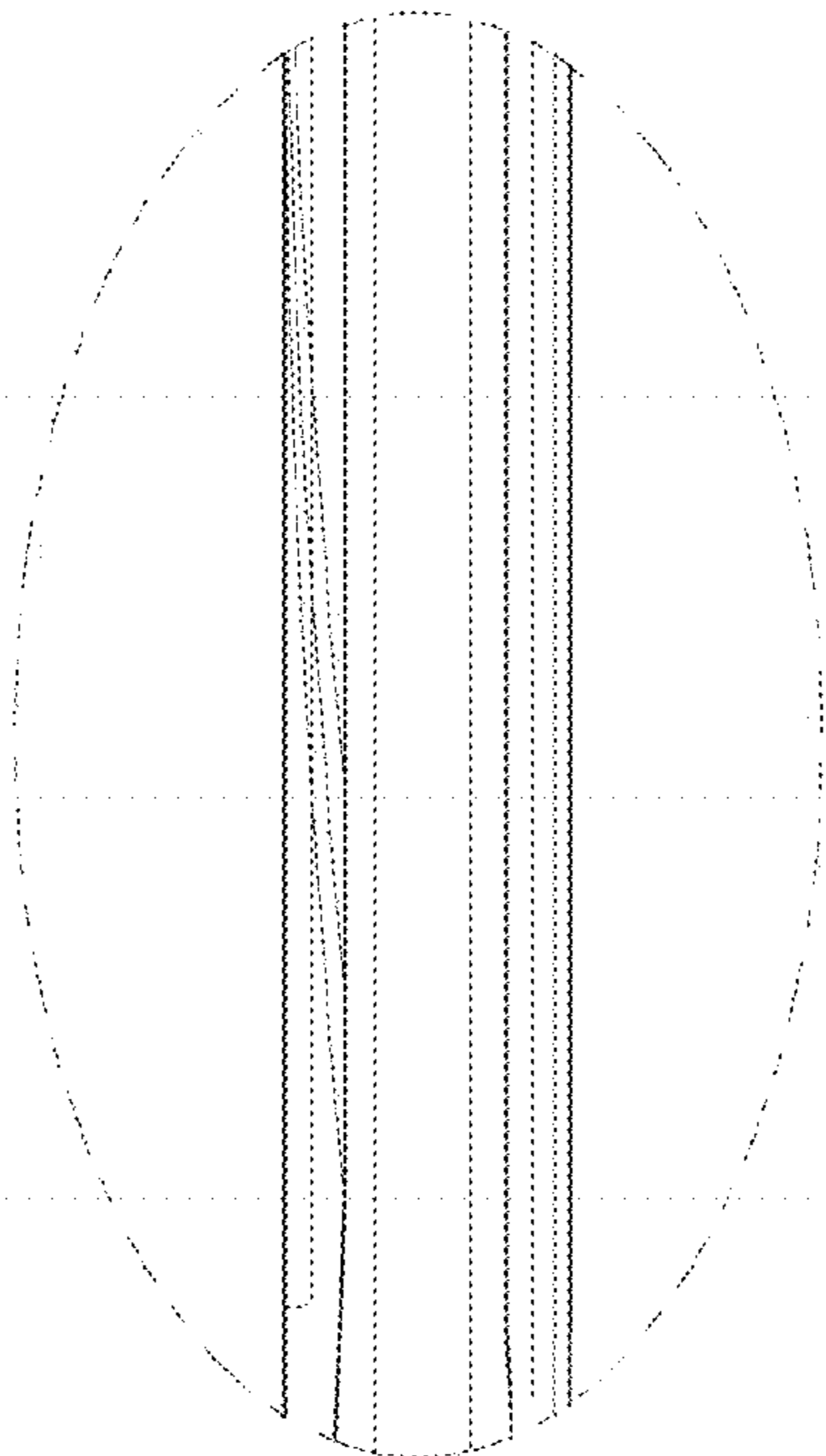


FIG. 10

