



US00D728501S

(12) **United States Design Patent**  
**Kim et al.**

(10) **Patent No.:** **US D728,501 S**

(45) **Date of Patent:** **\*\* May 5, 2015**

(54) **TELEVISION RECEIVER**

(56) **References Cited**

(71) Applicant: **LG Electronics Inc.**, Seoul (KR)

U.S. PATENT DOCUMENTS

(72) Inventors: **Yoo Seok Kim**, Seoul (KR); **Tae Ho Kim**, Seoul (KR); **Byung Mu Huh**, Seoul (KR); **Yoon Kyeong Lee**, Seoul (KR); **Sang Gi Kim**, Seoul (KR)

D513,241 S	*	12/2005	Huang	.....	D14/126
D581,378 S	*	11/2008	Chiu	.....	D14/126
D652,811 S	*	1/2012	Kim et al.	.....	D14/126
D680,979 S	*	4/2013	Chen	.....	D14/126
D701,844 S	*	4/2014	Han	.....	D14/126
D702,199 S	*	4/2014	Park et al.	.....	D14/126
D709,467 S	*	7/2014	Jiang et al.	.....	D14/126
D714,749 S	*	10/2014	Park et al.	.....	D14/126

(73) Assignee: **LG Electronics Inc.**, Seoul (KR)

\* cited by examiner

(\*\*) Term: **14 Years**

*Primary Examiner* — Raphael Barkai

(21) Appl. No.: **29/493,338**

(74) *Attorney, Agent, or Firm* — Morgan, Lewis & Bockius LLP

(22) Filed: **Jun. 9, 2014**

(30) **Foreign Application Priority Data**

Jan. 21, 2014 (KR) ..... 30-2014-0003317

(51) **LOC (10) Cl.** ..... **14-03**

(52) **U.S. Cl.**  
USPC ..... **D14/126**

(58) **Field of Classification Search**  
CPC ... G06F 1/1601; G06F 1/1643; H05K 5/0004;  
H05K 5/0017; H05K 5/02; H05K 5/0217  
USPC ..... D14/125–134, 239, 371, 136, 374–377,  
D14/440, 450, 448, 336, 342, 159; 312/7.2;  
348/836, 838, 180, 184, 325, 739;  
248/917–924, 465; 345/104, 133, 156,  
345/168, 87, 173; D21/329, 515, 577, 622,  
D21/333, 433, 448, 452, 450, 331, 505;  
D10/15, 26; 446/484, 175, 356;  
D6/477, 479, 300; D24/185; D34/14

See application file for complete search history.

(57) **CLAIM**

We claim the ornamental design for a television receiver, as shown and described.

**DESCRIPTION**

FIG. 1 is a perspective view of a television receiver showing the new design;  
FIG. 2 is a front elevation view thereof;  
FIG. 3 is a rear elevation view thereof;  
FIG. 4 is a left-side elevation view thereof;  
FIG. 5 is a right-side elevation view thereof;  
FIG. 6 is a top plan view thereof; and,  
FIG. 7 is a bottom plan view thereof.

**1 Claim, 4 Drawing Sheets**

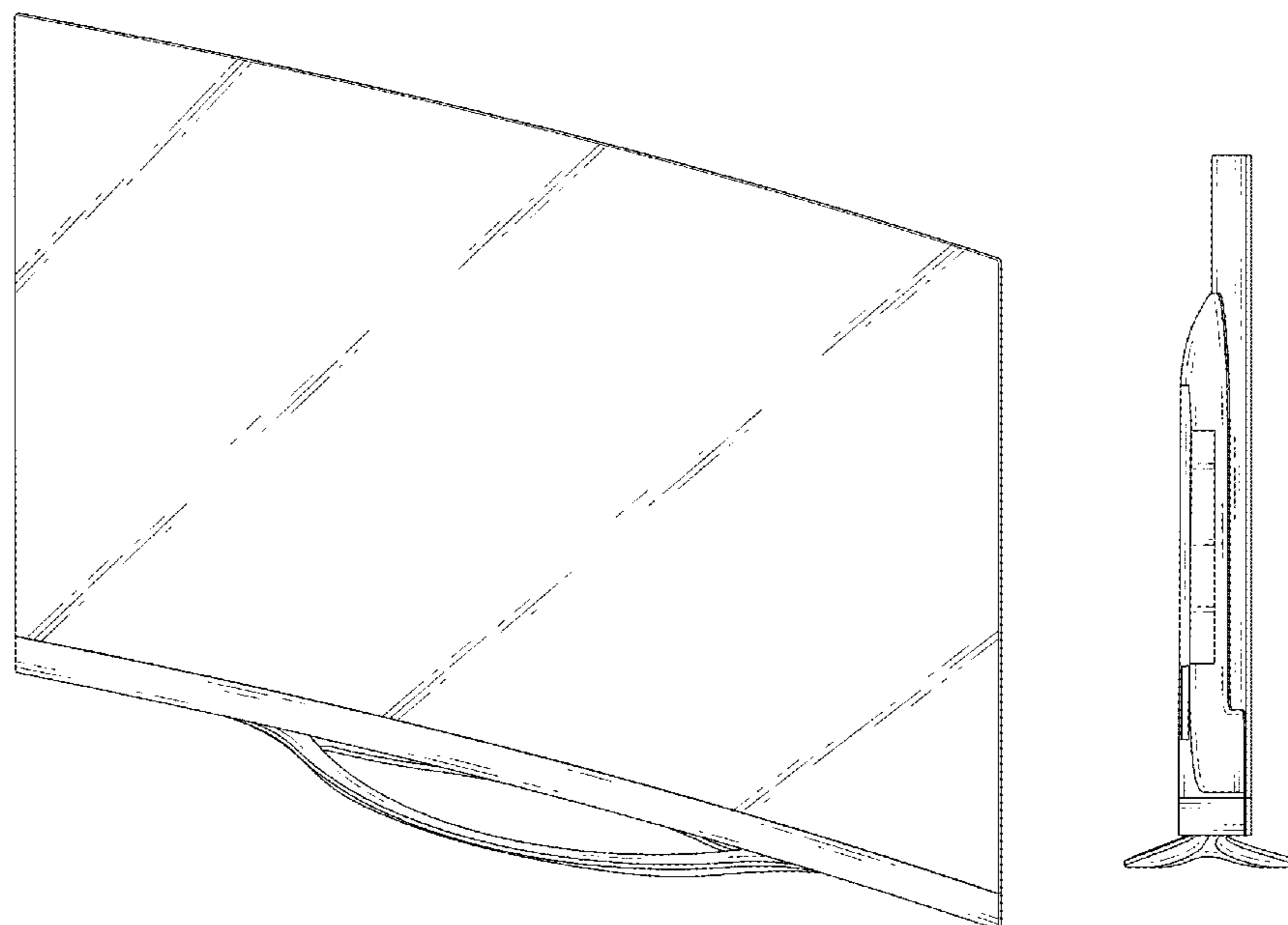


FIG. 1

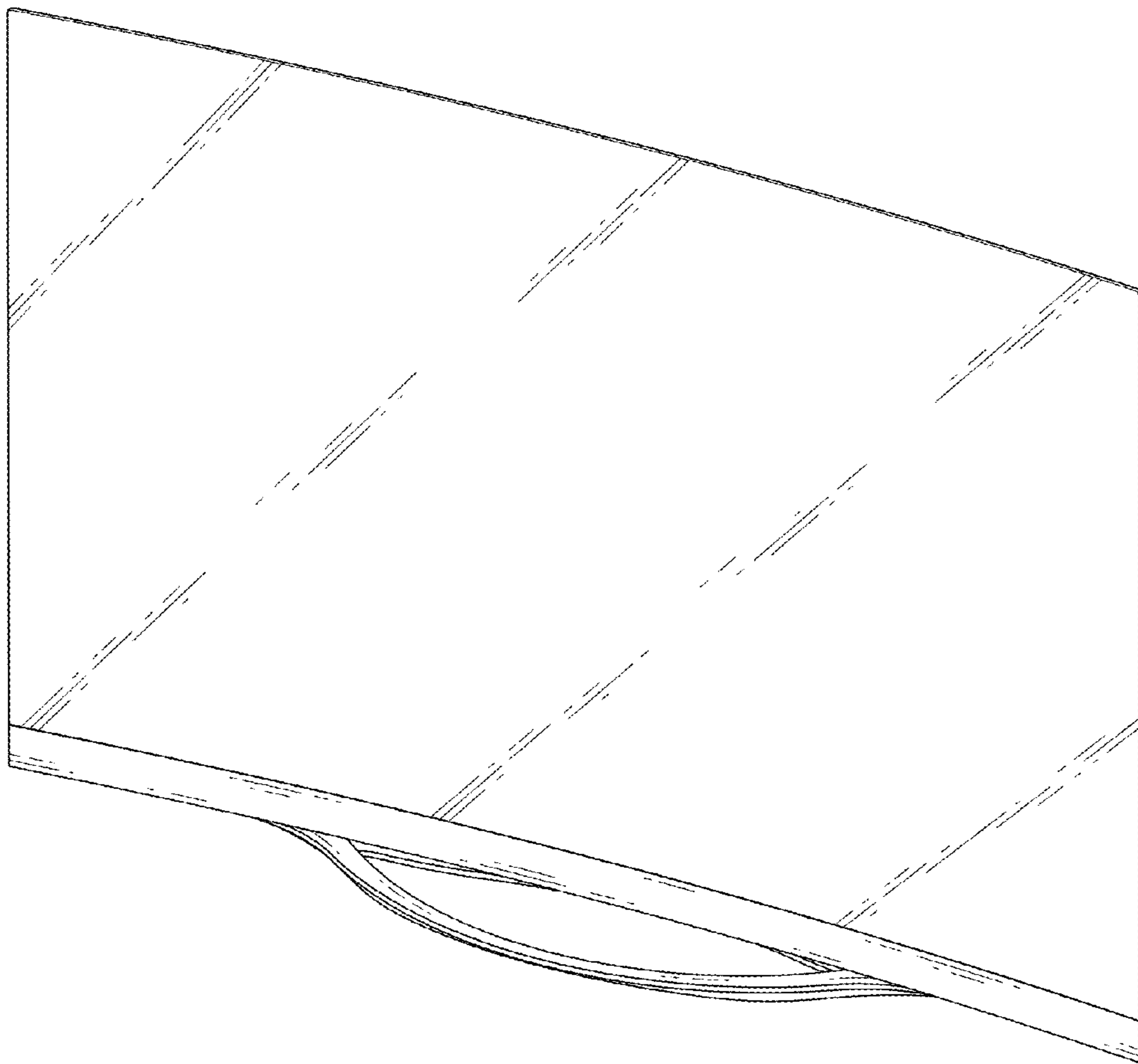


FIG.2

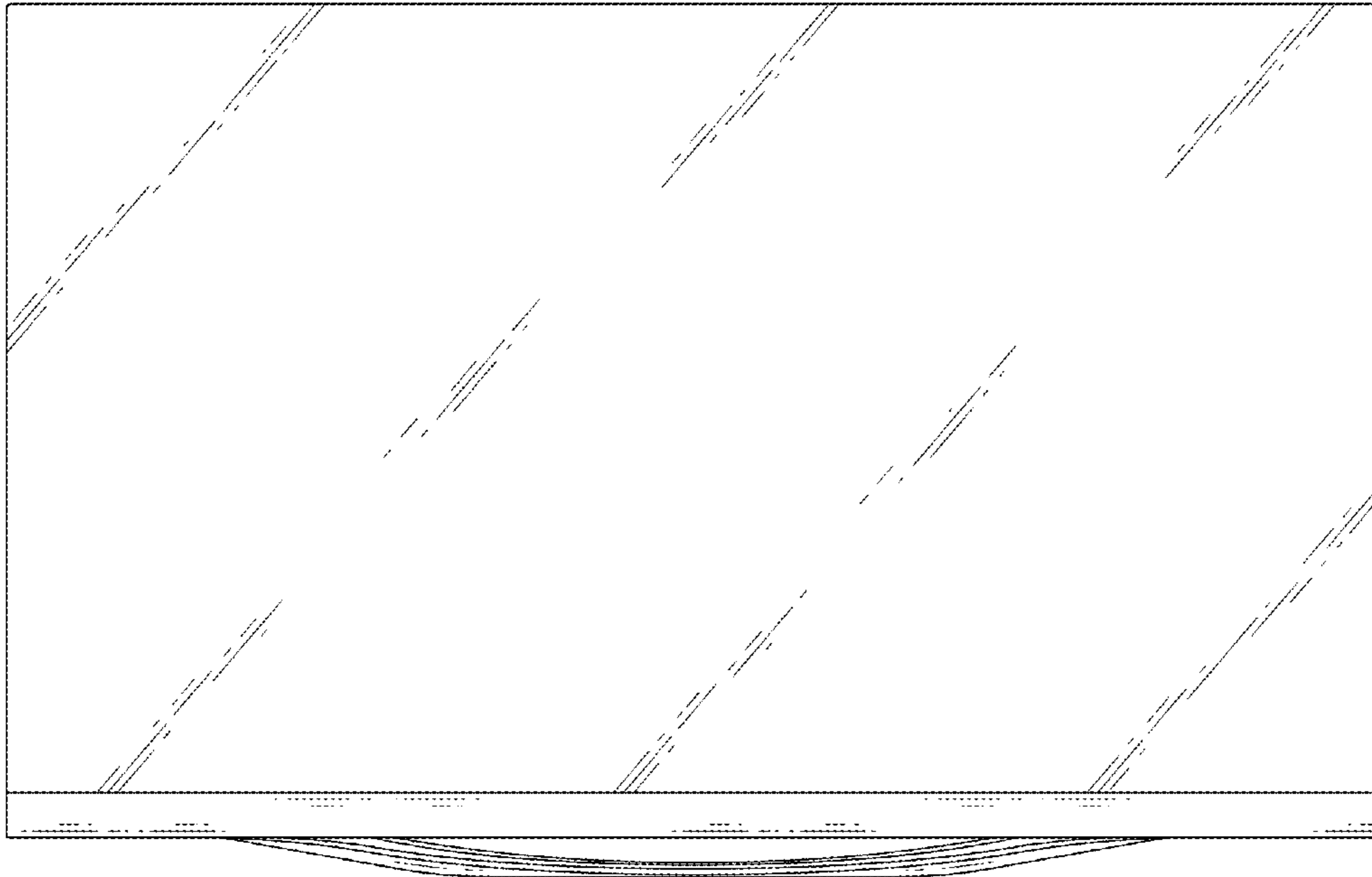


FIG.3

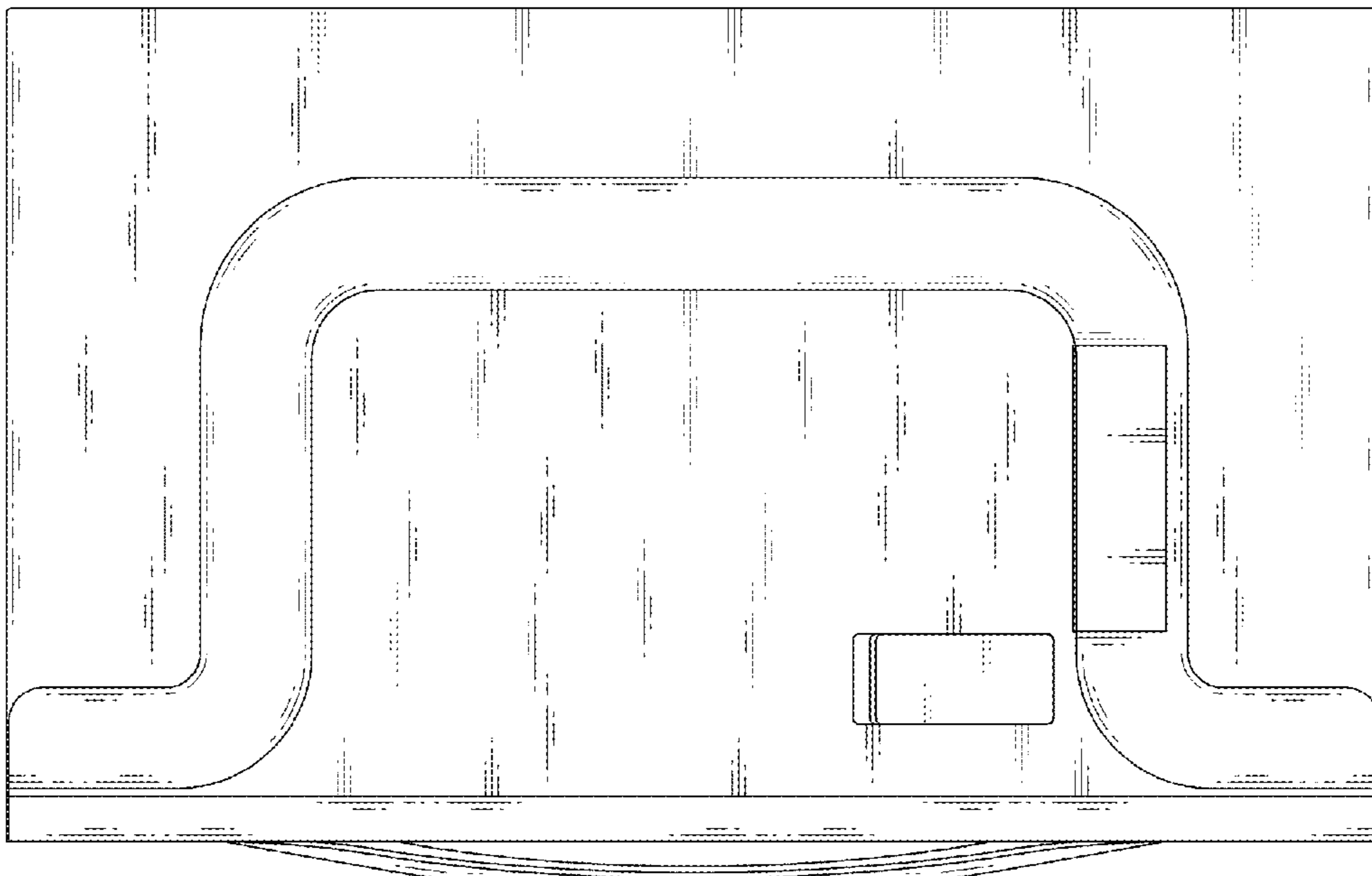


FIG. 4

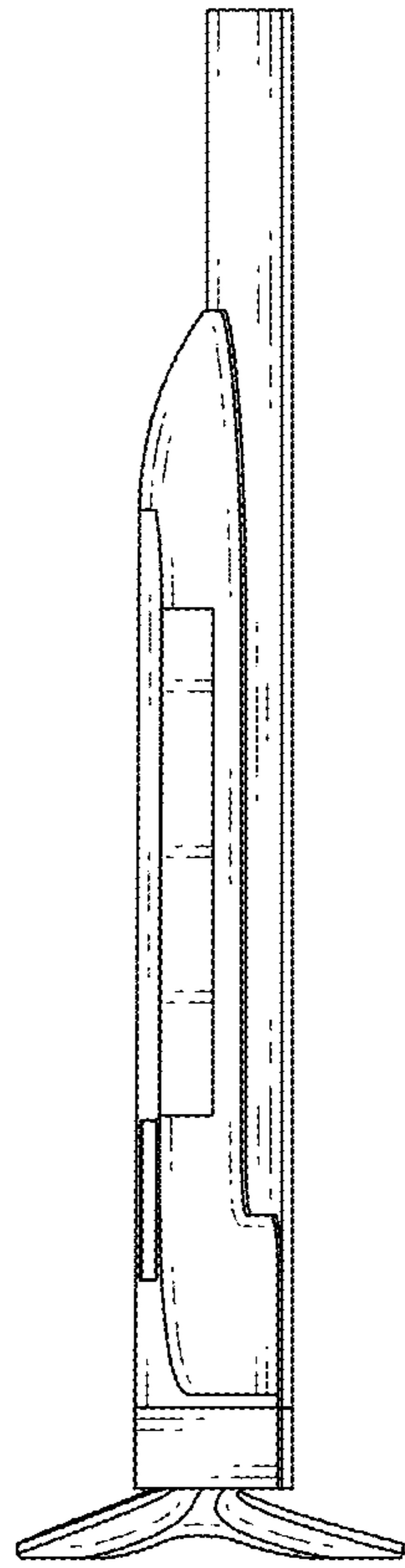


FIG. 5

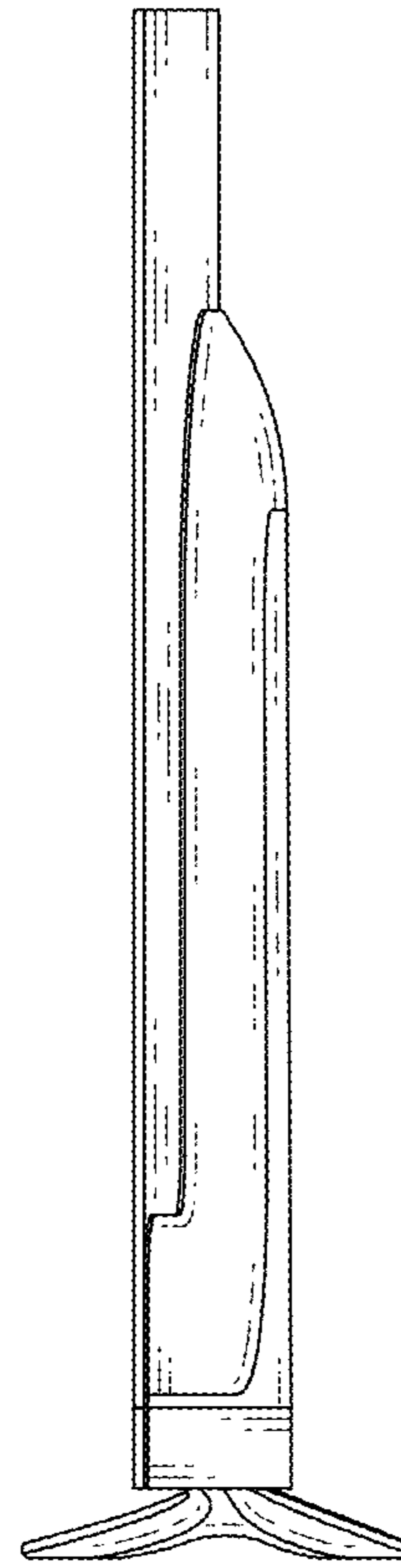


FIG. 6

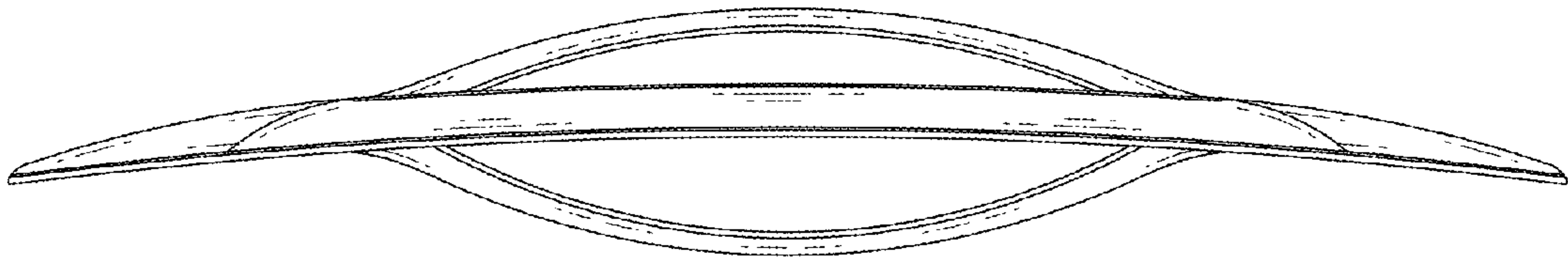


FIG. 7

