



US00D728498S

(12) **United States Design Patent**
Park et al.

(10) **Patent No.:** **US D728,498 S**

(45) **Date of Patent:** **** May 5, 2015**

(54) **TELEVISION RECEIVER**

(71) Applicant: **LG Electronics Inc.**, Seoul (KR)

(72) Inventors: **Misun Park**, Seoul (KR); **Hyoungrak Son**, Seoul (KR); **Jeongha Kim**, Seoul (KR); **Junnyung Lee**, Seoul (KR)

(73) Assignee: **LG Electronics Inc.**, Seoul (KR)

(**) Term: **14 Years**

(21) Appl. No.: **29/464,560**

(22) Filed: **Aug. 19, 2013**

(30) **Foreign Application Priority Data**

Feb. 20, 2013 (KR) 30-2013-0008757

(51) **LOC (10) Cl.** **14-03**

(52) **U.S. Cl.**
USPC **D14/126**

(58) **Field of Classification Search**

CPC ... G06F 1/1601; G06F 1/1643; H05K 5/0004;
H05K 5/0017; H05K 5/02; H05K 5/0217
USPC D14/125-134, 239, 371, 136, 374-377,
D14/440, 450, 448, 336, 342, 159; 312/7.2;
348/836, 838, 180, 184, 325, 739;
248/917-924, 465; 345/104, 133, 156,
345/168, 87, 173; D21/329, 515, 577, 622,
D21/333, 433, 448, 452, 450, 331, 505;
D10/15, 26; 446/484, 175, 356;
D6/477, 479, 300; D24/185; D34/14

See application file for complete search history.

(56) **References Cited**

U.S. PATENT DOCUMENTS

D528,517 S *	9/2006	Izumi	D14/126
D528,518 S *	9/2006	Kim	D14/126
D579,426 S *	10/2008	Kim et al.	D14/126
D592,163 S *	5/2009	Lee et al.	D14/126
D605,614 S *	12/2009	Lee et al.	D14/126
D616,399 S *	5/2010	Lee et al.	D14/126
D620,905 S *	8/2010	Honda	D14/126
D629,372 S *	12/2010	Lim et al.	D14/126
D630,599 S *	1/2011	Lim et al.	D14/126
D643,002 S *	8/2011	Choi et al.	D14/126
D646,242 S *	10/2011	Honda	D14/126
D718,264 S *	11/2014	Park et al.	D14/126
D719,119 S *	12/2014	Park et al.	D14/126

* cited by examiner

Primary Examiner — Raphael Barkai

(74) *Attorney, Agent, or Firm* — Birch, Stewart, Kolasch & Birch, LLP

(57) **CLAIM**

The ornamental design for a television receiver, as shown and described.

DESCRIPTION

FIG. 1 is a perspective view of a television receiver showing our new design;
FIG. 2 is a front view thereof;
FIG. 3 is a rear view thereof;
FIG. 4 is a left side view thereof where the right side view is a mirror image;
FIG. 5 is a top plan view thereof;
FIG. 6 is a bottom plan view thereof;
FIG. 7 is a rear perspective view thereof; and,
FIG. 8 is a reference side view thereof showing the state that the television receiver has been installed on the wall along with the speaker part after the stand part has been detached. The broken lines are for illustrative purposes only and form no part of the claimed design.

1 Claim, 7 Drawing Sheets

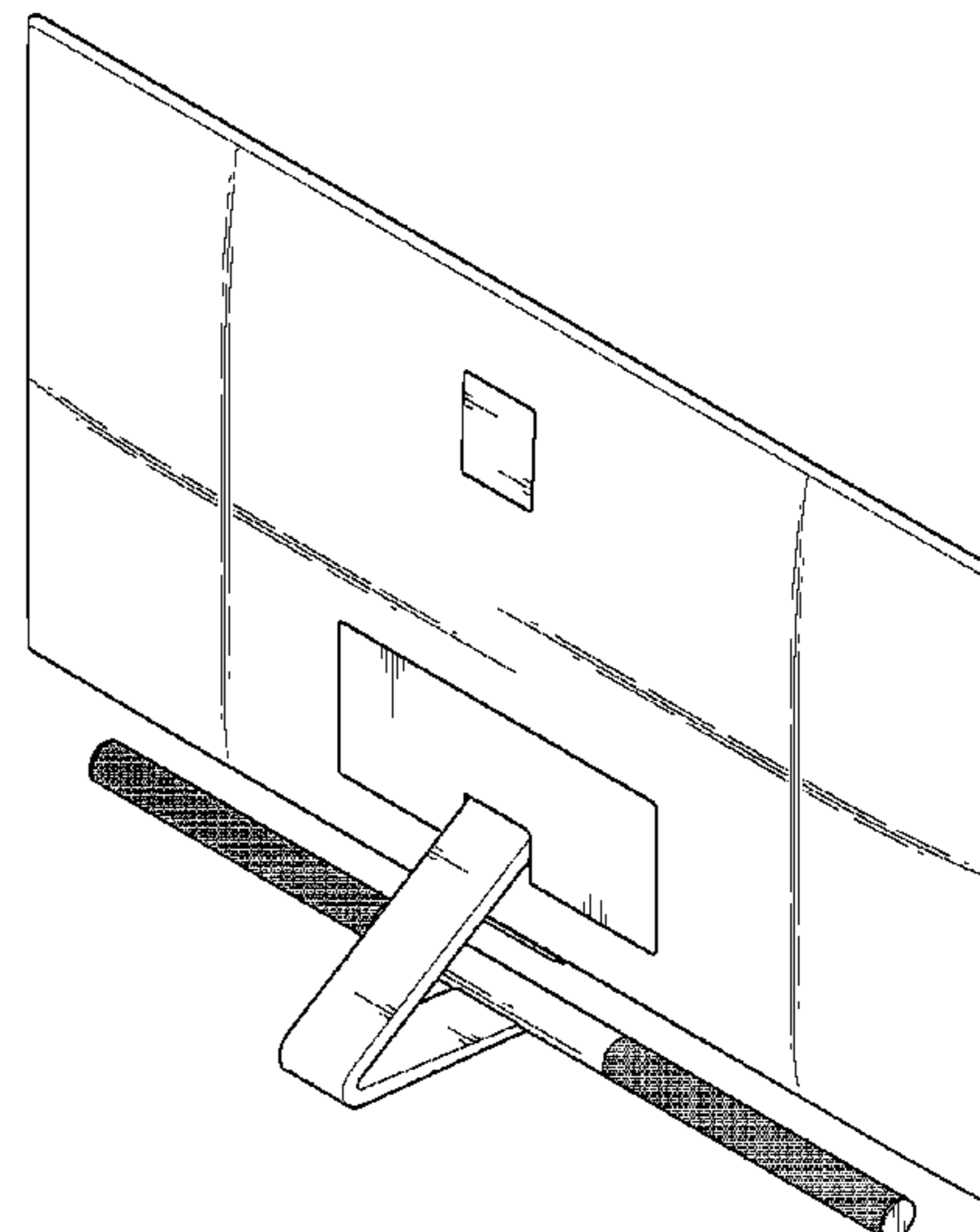
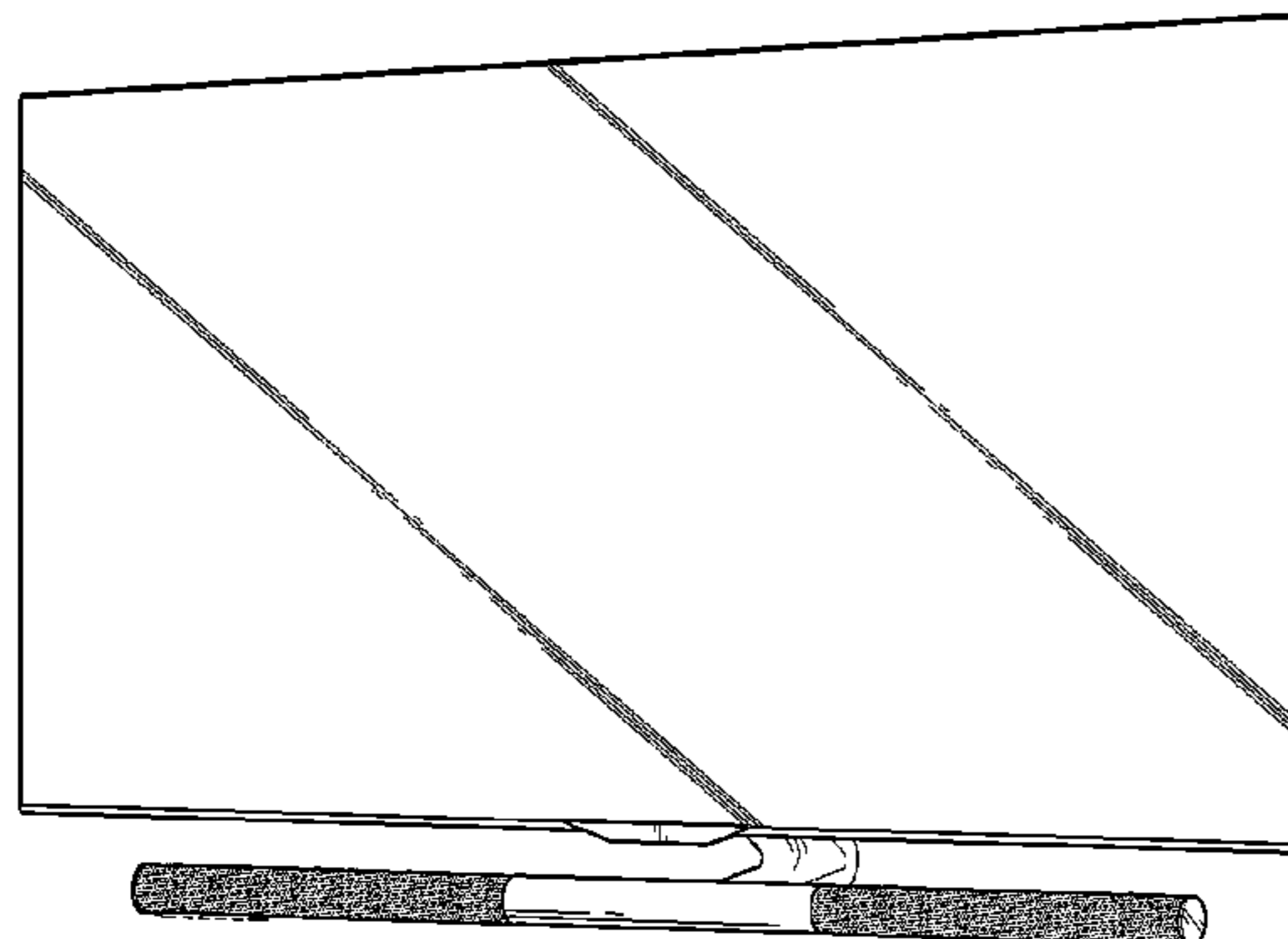


FIG. 1

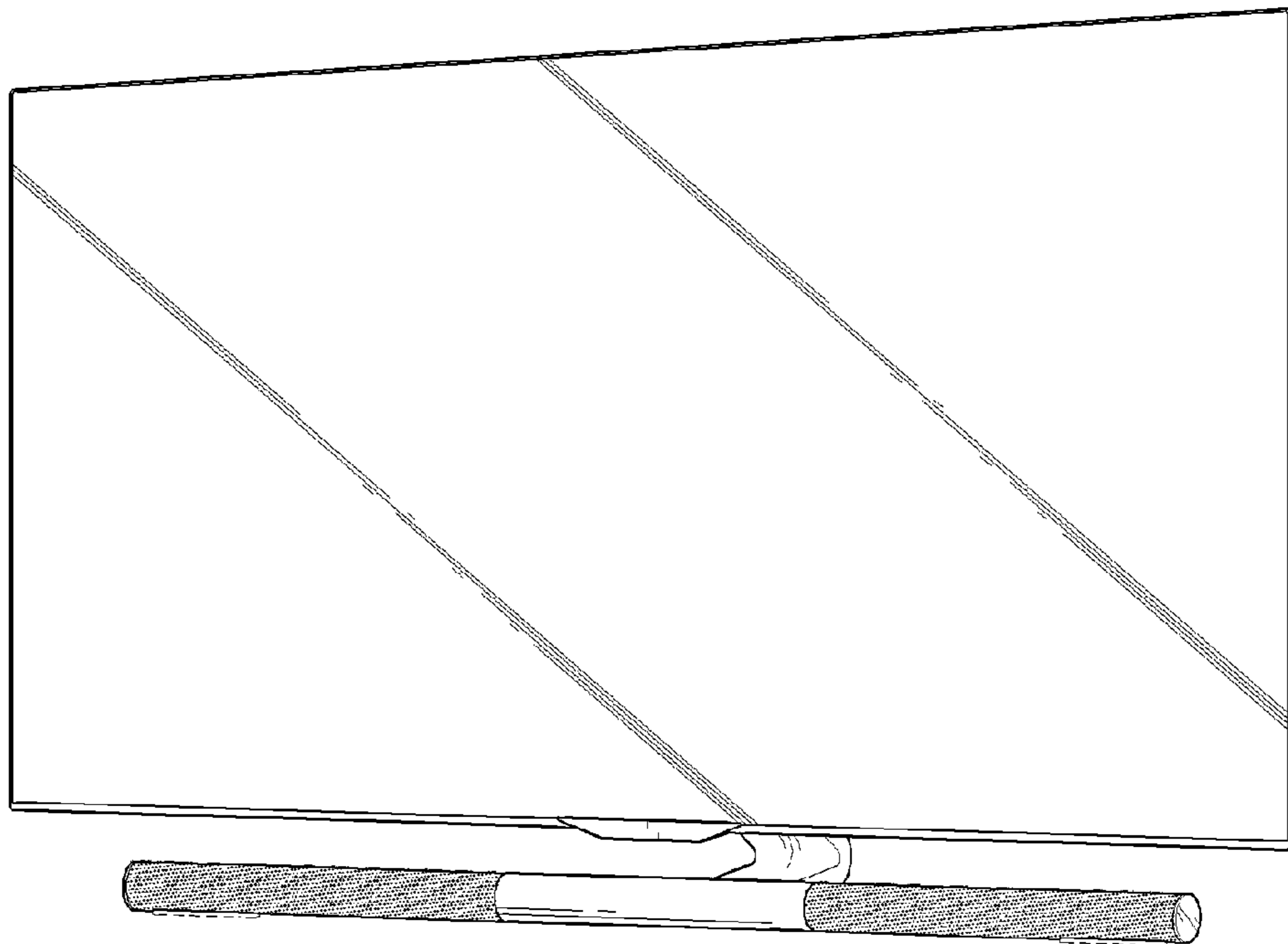


FIG. 2

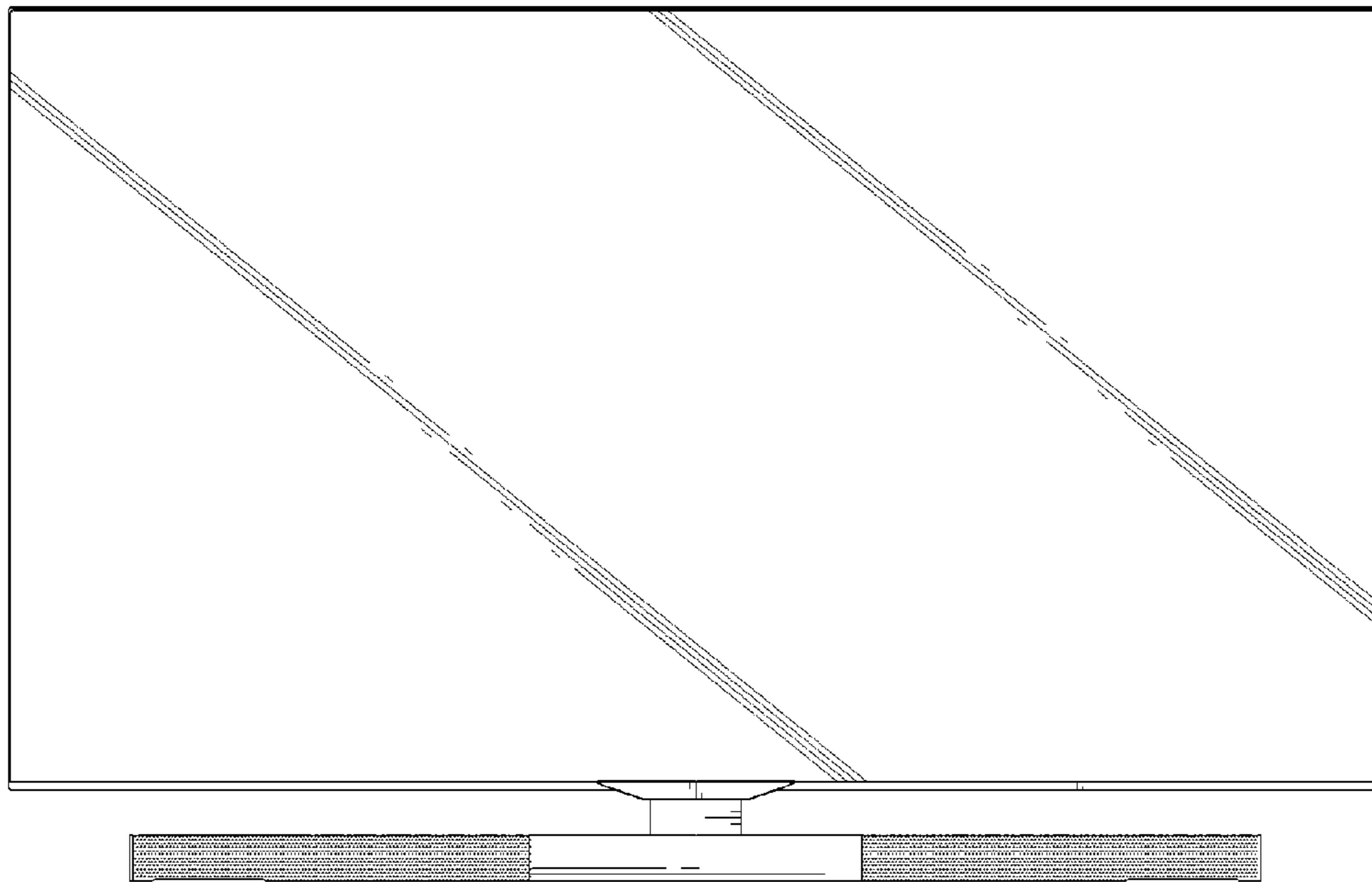


FIG. 3

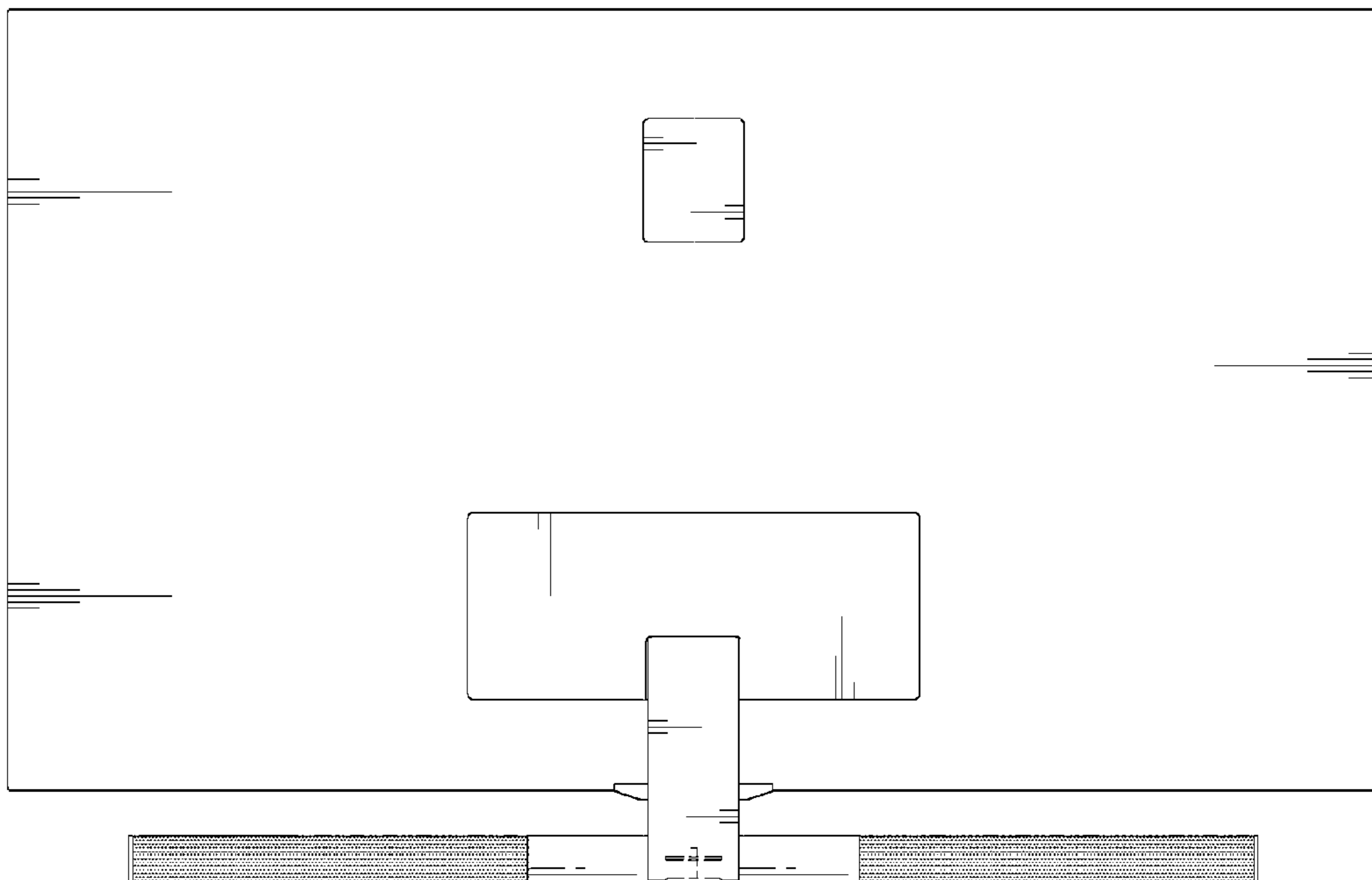


FIG. 4

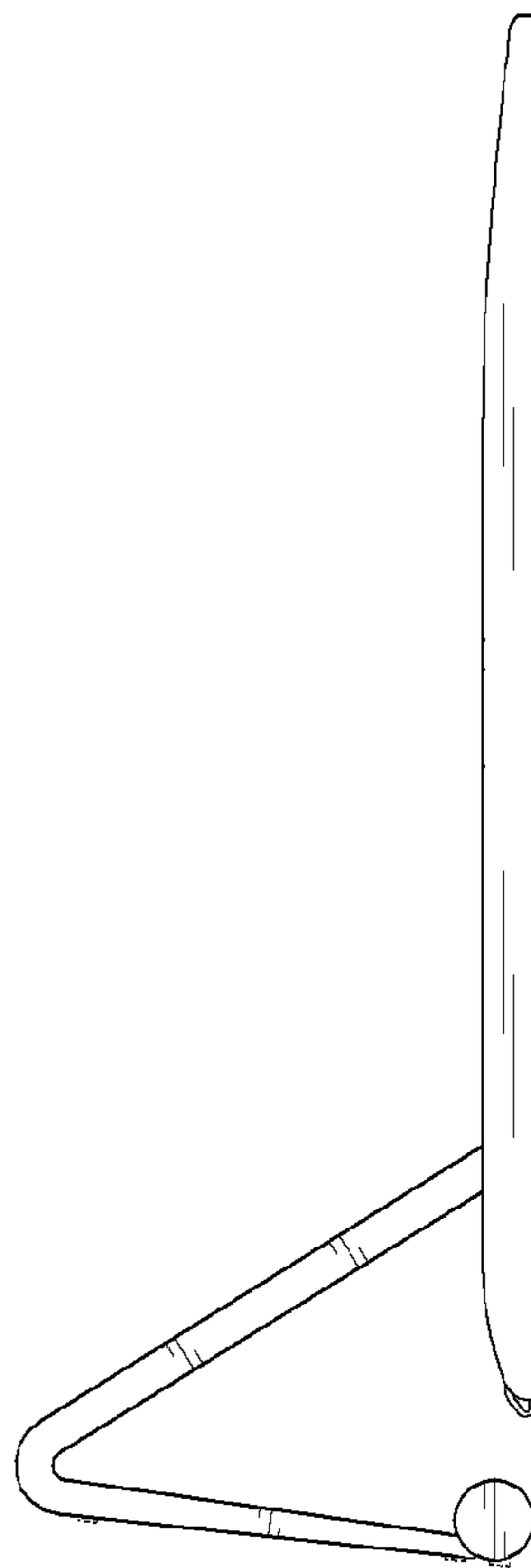


FIG. 5

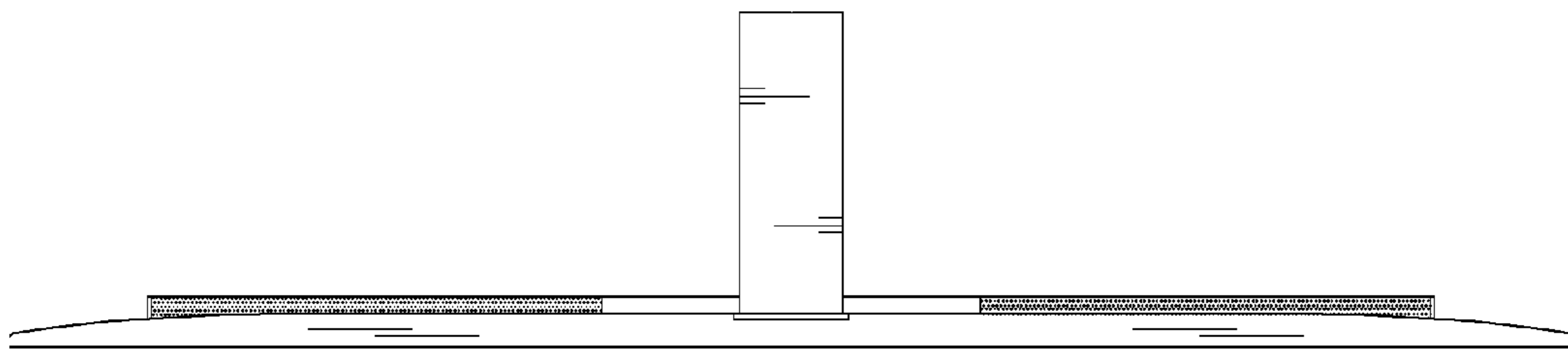


FIG. 6

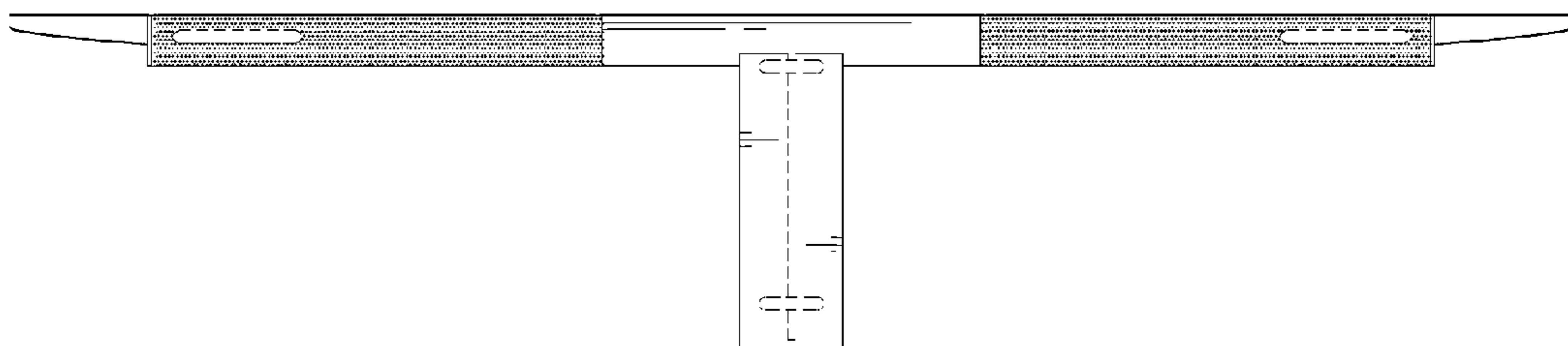


FIG. 7

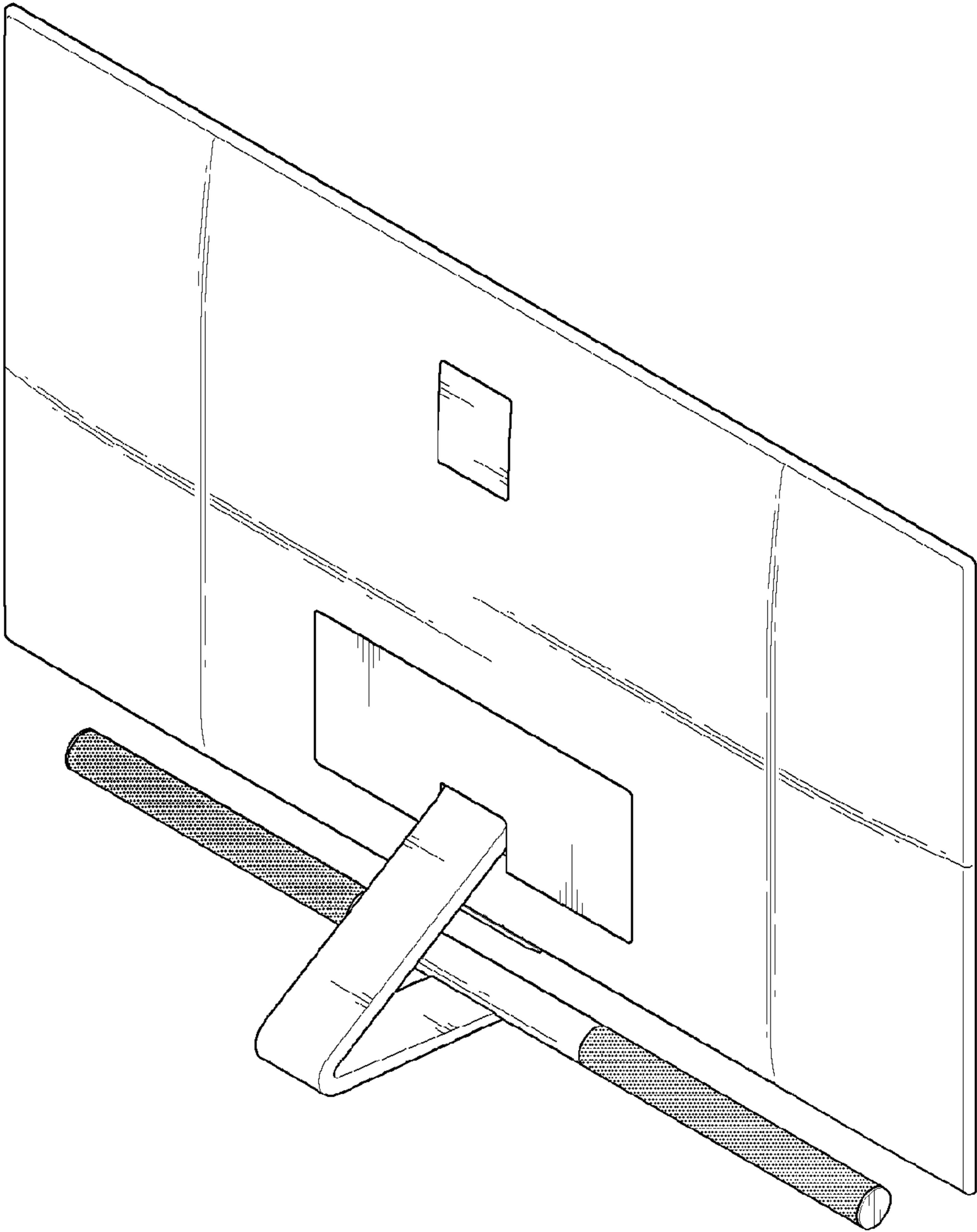


FIG. 8

