



US00D728497S

(12) **United States Design Patent**  
**Jung**

(10) **Patent No.:** **US D728,497 S**

(45) **Date of Patent:** **\*\* May 5, 2015**

(54) **MONITOR**

(71) Applicant: **Samsung Electronics Co., Ltd.**,  
Suwon-Si, Gyeonggi-Do (KR)

(72) Inventor: **Daehun Jung**, Seoul (KR)

(73) Assignee: **Samsung Electronics Co., Ltd.**,  
Gyeonggi-do (KR)

(\*\*) Term: **14 Years**

(21) Appl. No.: **29/460,585**

(22) Filed: **Jul. 12, 2013**

(30) **Foreign Application Priority Data**

Jan. 14, 2013 (KR) ..... 30-2013-0002276

(51) **LOC (10) Cl.** ..... **14-03**

(52) **U.S. Cl.**  
USPC ..... **D14/126**

(58) **Field of Classification Search**

CPC ... G06F 1/1601; G06F 1/1643; H05K 5/0004;  
H05K 5/0017; H05K 5/02; H05K 5/0217  
USPC ..... D14/125-134, 239, 371, 136, 374-377,  
D14/440, 450, 448, 336, 342, 159; 312/7.2;  
348/836, 838, 180, 184, 325, 739;  
248/917-924, 465; 345/104, 133, 156,  
345/168, 87, 173; D21/329, 515, 577, 622,  
D21/333, 433, 448, 452, 450, 331, 505;  
D10/15, 26; 446/484, 175, 356;  
D6/477, 479, 300; D24/185; D34/14

See application file for complete search history.

(56) **References Cited**

**U.S. PATENT DOCUMENTS**

D517,549 S *	3/2006	Depay .....	D14/375
D521,997 S *	5/2006	Park et al. ....	D14/375
D550,222 S *	9/2007	Park .....	D14/375
D556,159 S *	11/2007	Park et al. ....	D14/126
D603,815 S *	11/2009	Hirasawa et al. ....	D14/126
D622,238 S *	8/2010	Chow .....	D14/126
D683,321 S *	5/2013	Lee et al. ....	D14/126
D695,701 S *	12/2013	Lee et al. ....	D14/126

\* cited by examiner

*Primary Examiner* — Raphael Barkai

(74) *Attorney, Agent, or Firm* — Harness, Dickey & Pierce

(57) **CLAIM**

The ornamental design for a monitor, as shown and described.

**DESCRIPTION**

FIG. 1 is the front/right-side/top perspective view of a monitor showing our new design;  
FIG. 2 is the front elevational view thereof;  
FIG. 3 is the rear elevational view thereof;  
FIG. 4 is the left-side elevational view thereof;  
FIG. 5 is the right-side elevational view thereof;  
FIG. 6 is the top-side plan view thereof;  
FIG. 7 is the bottom-side plan view thereof; and,  
FIG. 8 is the rear/left-side/top perspective view thereof.

**1 Claim, 7 Drawing Sheets**

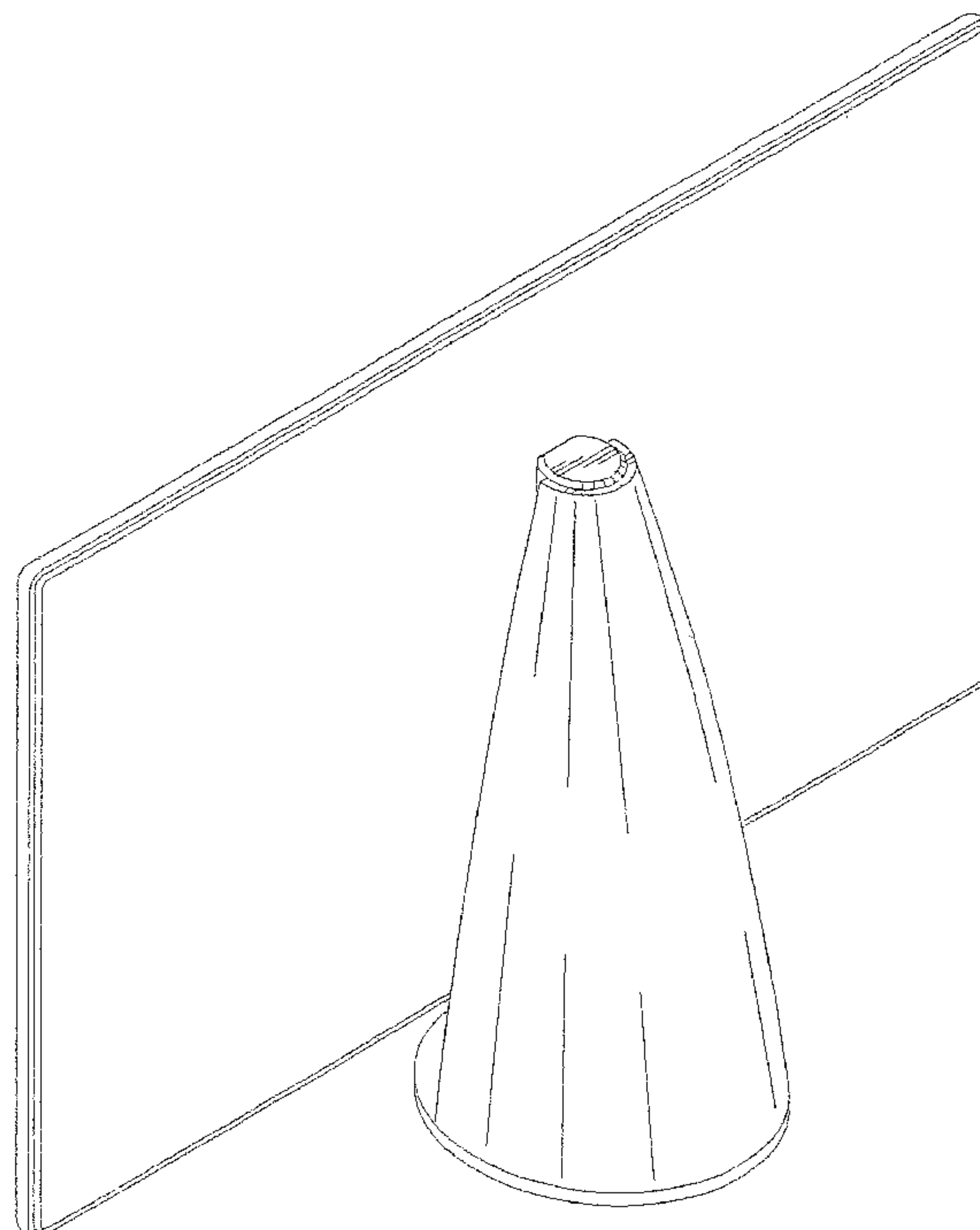
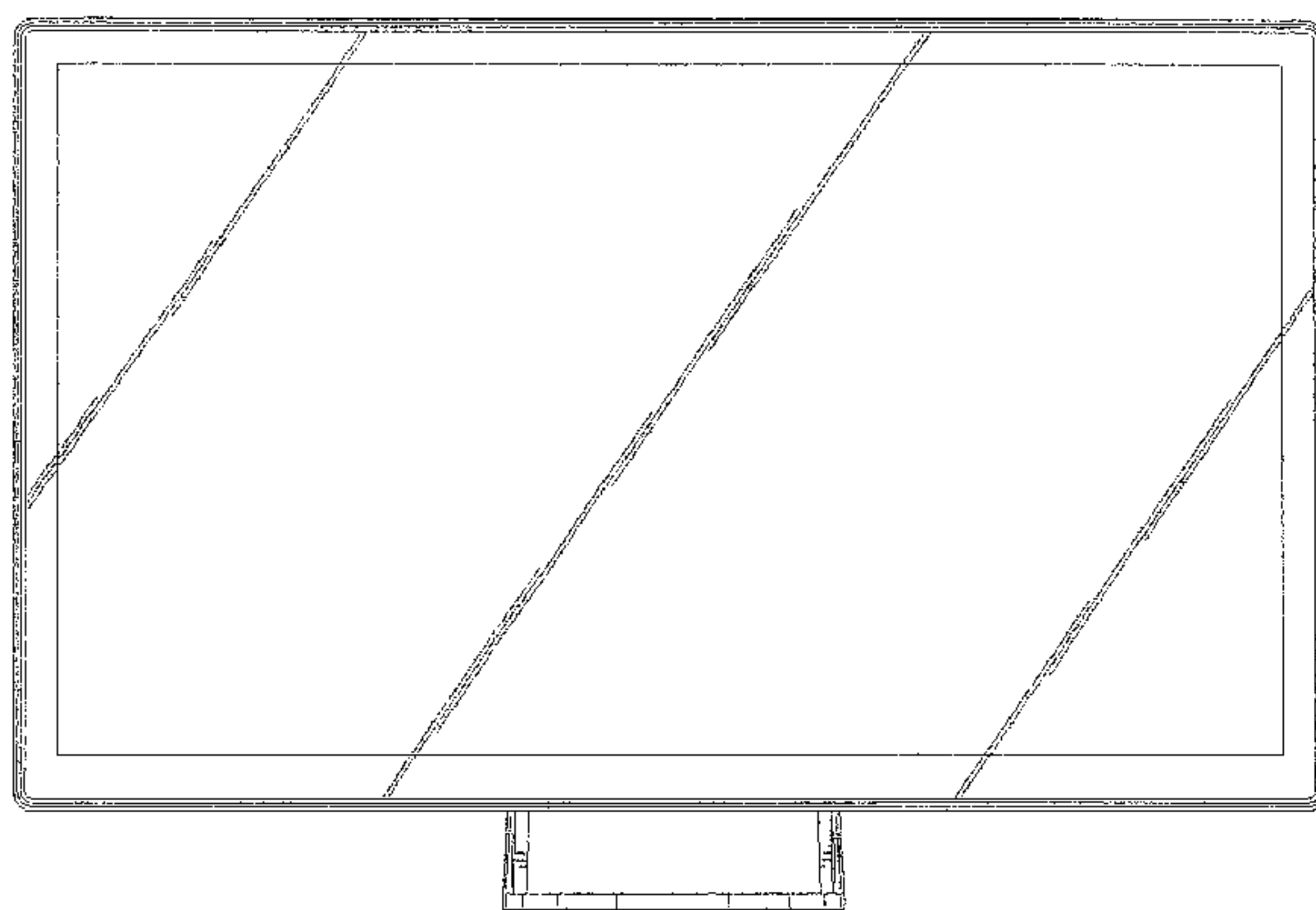


FIG. 1

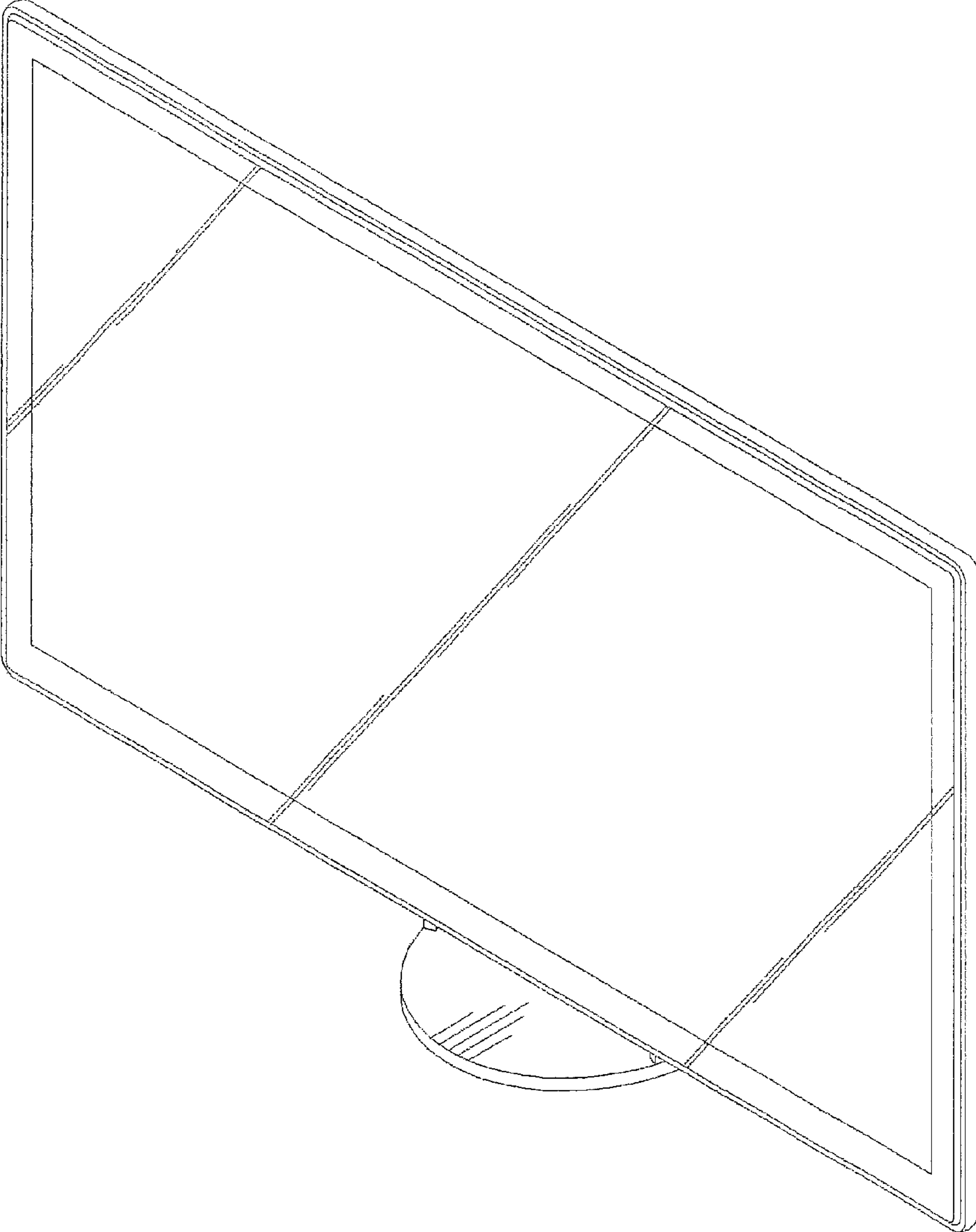


FIG. 2

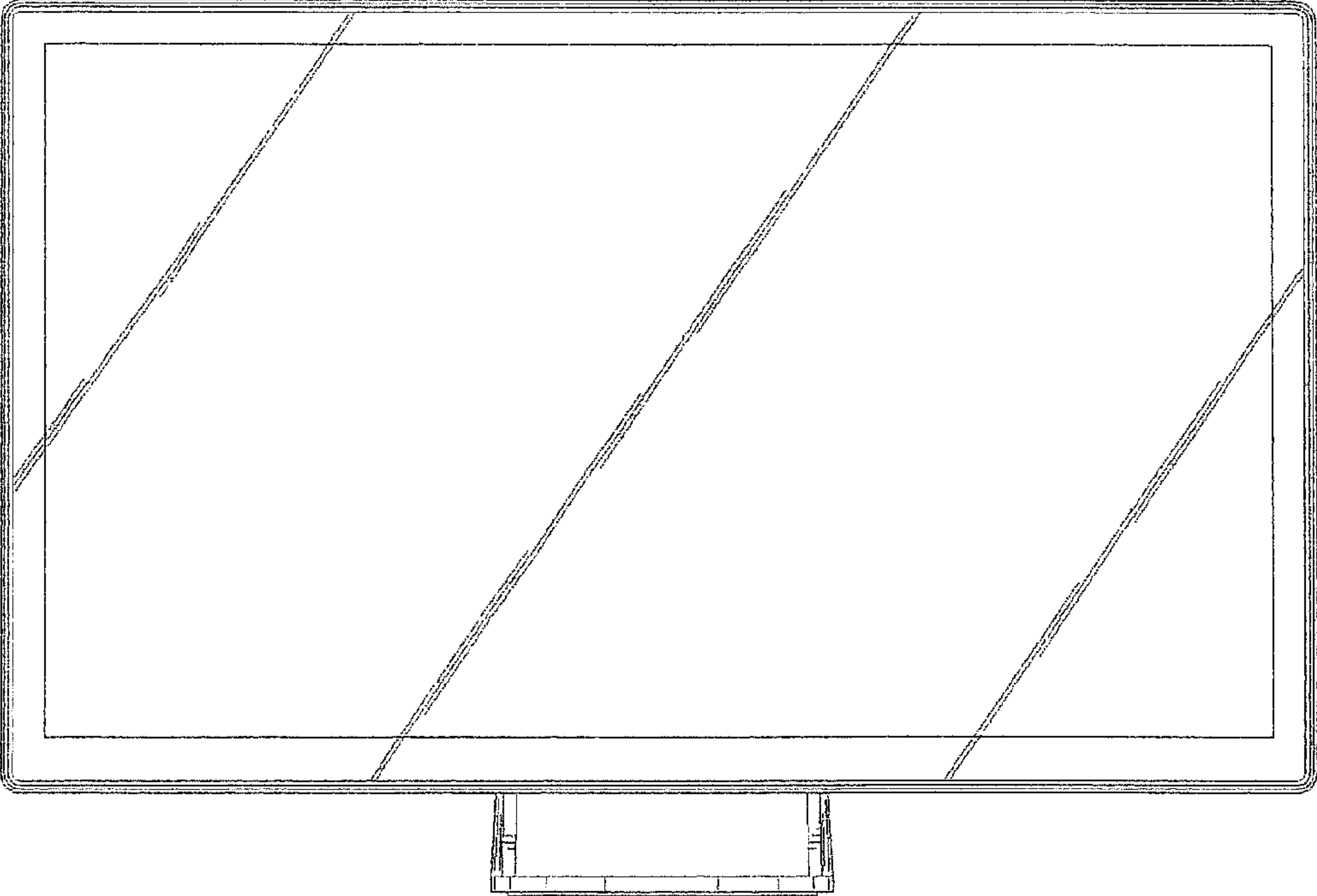
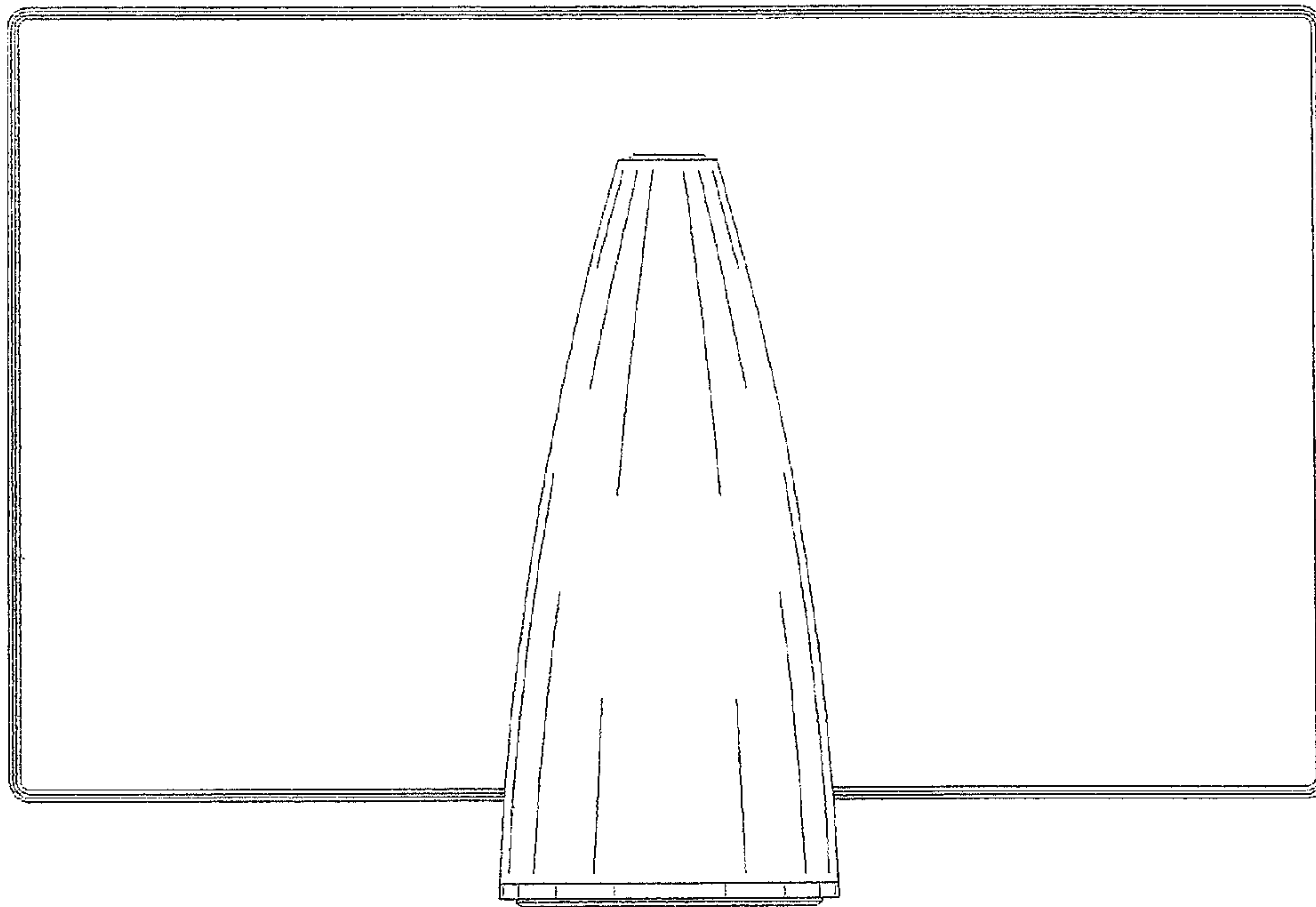
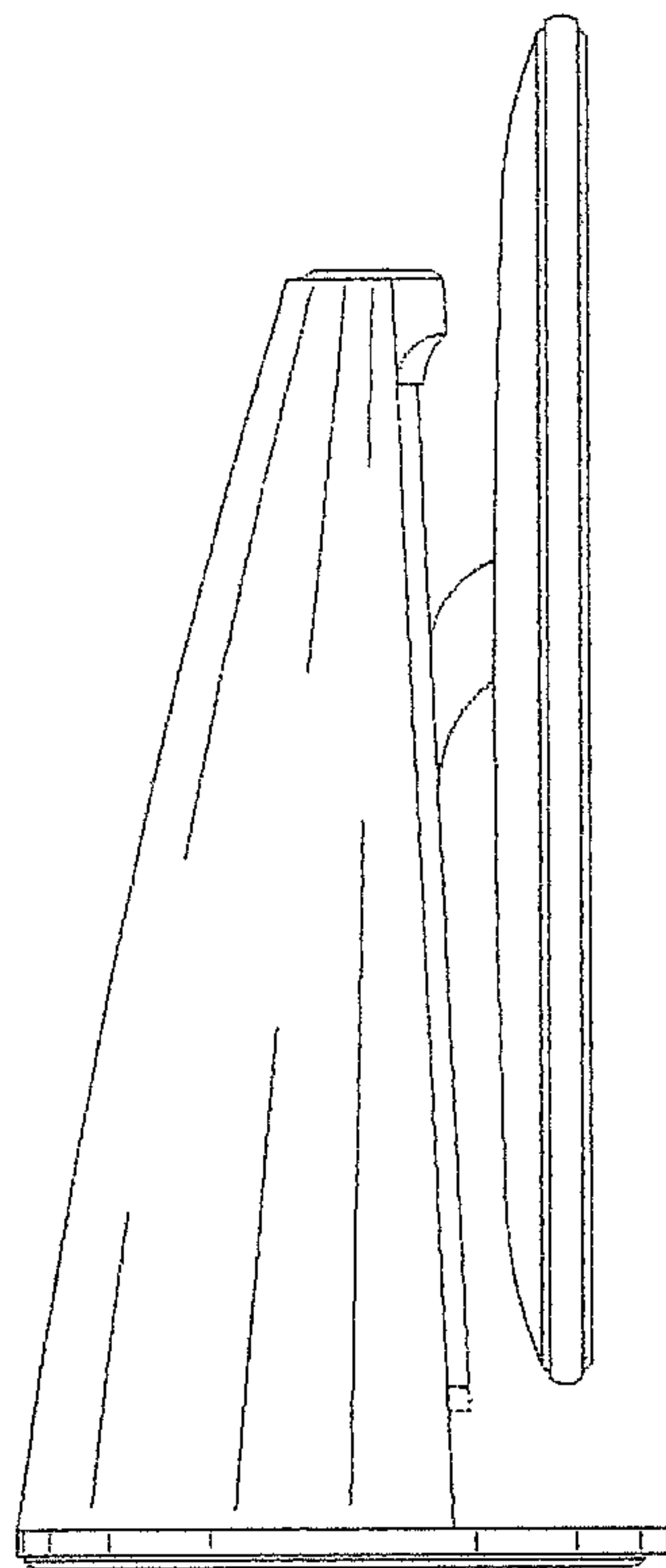


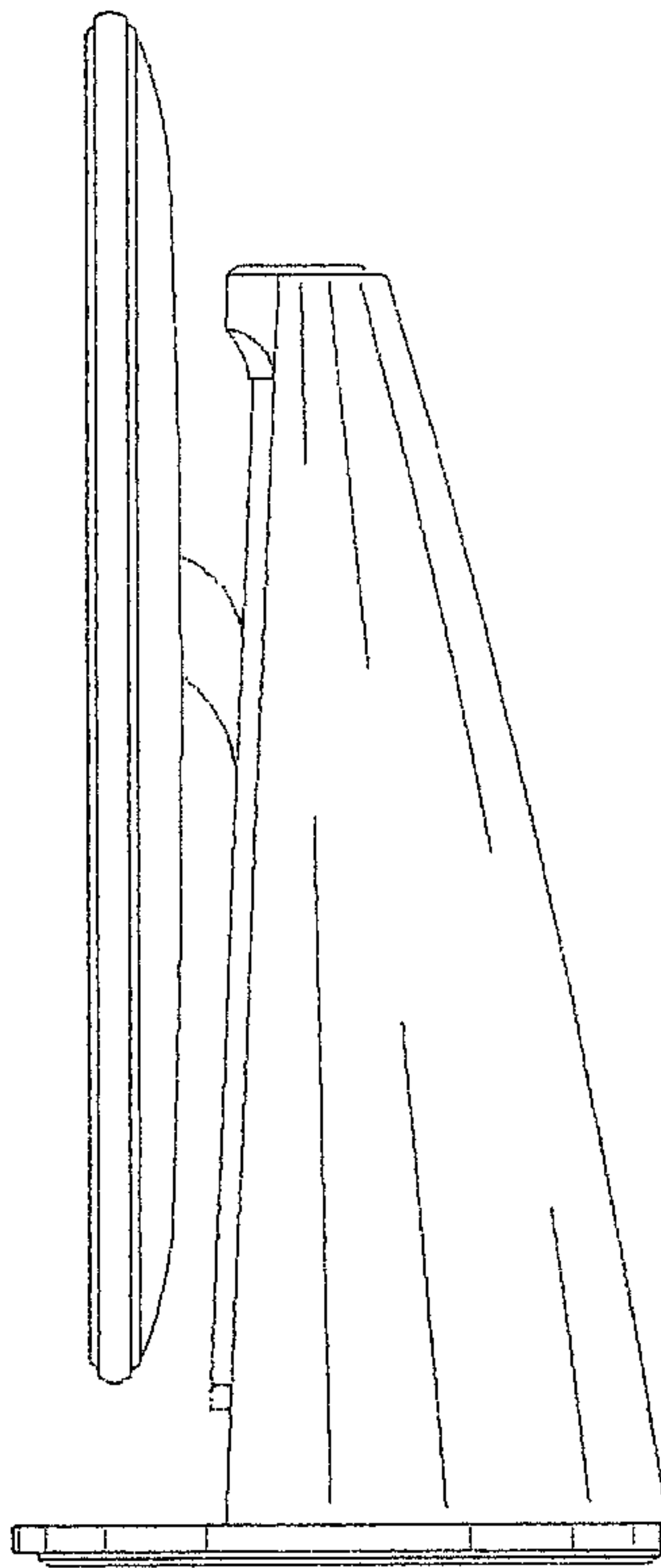
FIG. 3



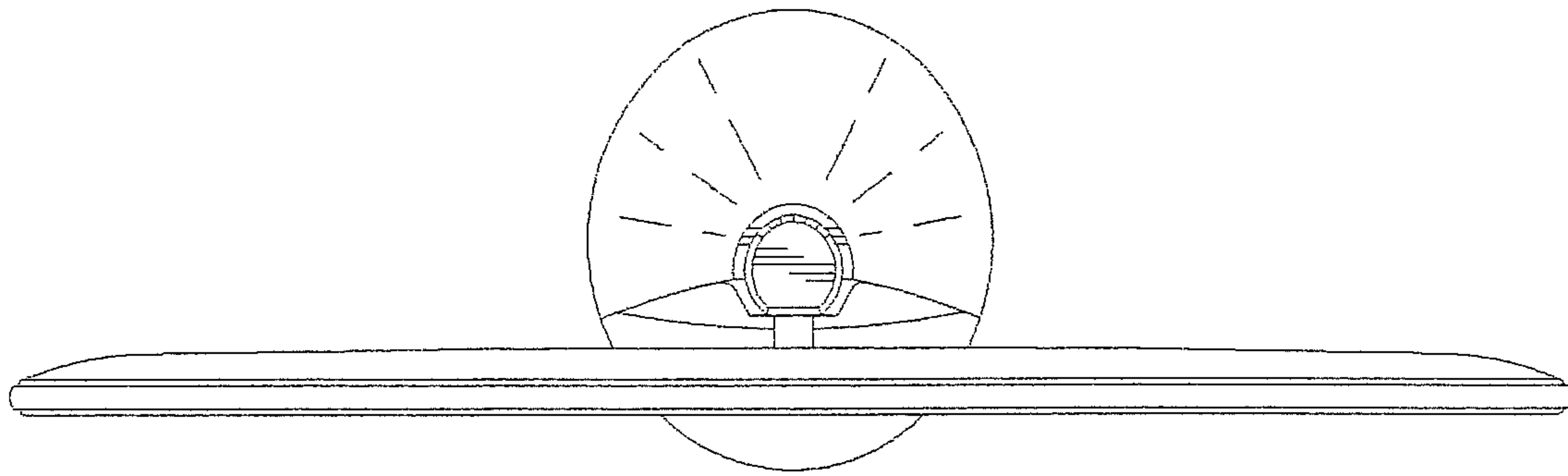
**FIG. 4**



**FIG. 5**



**FIG. 6**



**FIG. 7**

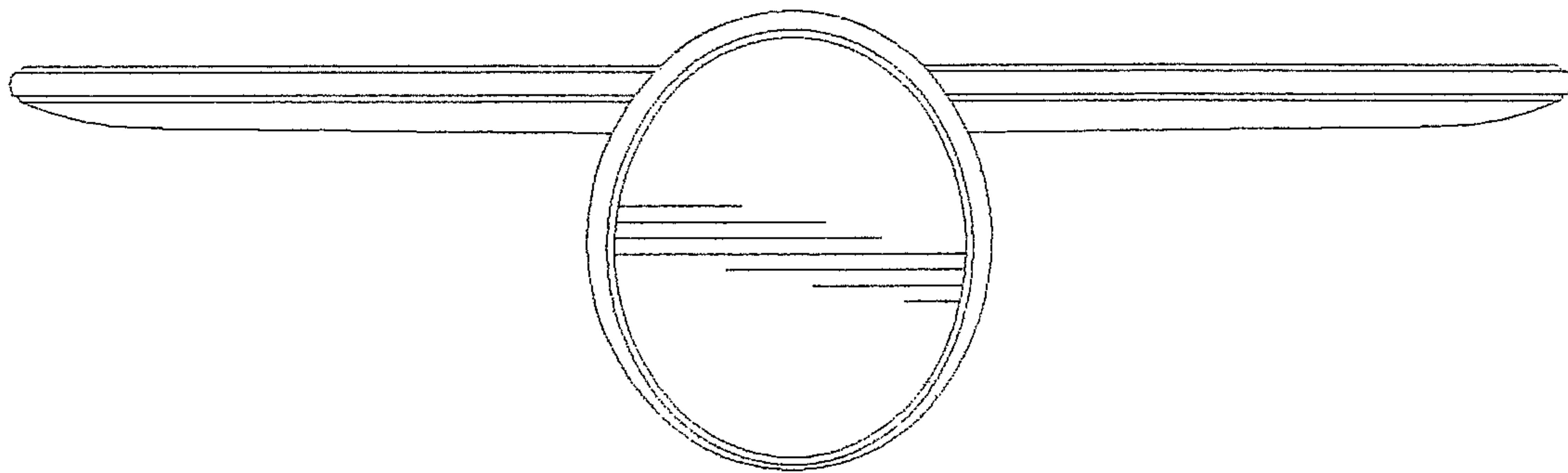


FIG. 8

