



US00D728496S

(12) **United States Design Patent**
Kim et al.

(10) **Patent No.:** **US D728,496 S**
(45) **Date of Patent:** **** May 5, 2015**

(54) **TELEVISION RECEIVER**

(56) **References Cited**

(71) Applicant: **Samsung Electronics Co., Ltd.**,
Suwon-si, Gyeonggi-do (KR)
(72) Inventors: **Hee-Bong Kim**, Kimpo-Si (KR);
Eui-Seok Kim, Seongnam-Si (KR)
(73) Assignee: **Samsung Electronics Co., Ltd.**,
Suwon-si (KR)

U.S. PATENT DOCUMENTS

D527,386 S * 8/2006 Corbett et al. D14/451
D637,167 S * 5/2011 Tsai et al. D14/126
D709,845 S * 7/2014 Itou et al. D14/126
D716,756 S * 11/2014 Kim et al. D14/204

(**) Term: **14 Years**

* cited by examiner

Primary Examiner — Robert M Spear
Assistant Examiner — Eliza Bennett-Hattan
(74) *Attorney, Agent, or Firm* — NSIP Law

(21) Appl. No.: **29/446,969**

(57) **CLAIM**

The ornamental design for a television receiver, as shown and described.

(22) Filed: **Feb. 28, 2013**

DESCRIPTION

(30) **Foreign Application Priority Data**

Aug. 29, 2012 (KR) 30-2012-0041543

(51) **LOC (10) Cl.** **14-03**

(52) **U.S. Cl.**
USPC **D14/126**

(58) **Field of Classification Search**
USPC D14/126, 127, 128, 129, 239, 371, 136,
D14/341, 375, 172, 188, 204, 221, 224, 214,
D14/358; 312/7.2; 348/836, 838, 180, 184,
348/325, 739; 341/12; 248/917-924, 465;
345/104, 133, 156, 168, 87, 173;
720/605, 600, 655; 455/347;
273/148 B; 229/926, 904, 74, 80.5;
D20/11, 17, 27, 39, 40; D6/300;
D9/600, 430

FIG. 1 is a front perspective view of a television receiver;
FIG. 2 is a front view of the television receiver of FIG. 1;
FIG. 3 is a rear view of the television receiver of FIG. 1;
FIG. 4 is a left-side view of the television receiver of FIG. 1;
FIG. 5 is a right-side view of the television receiver of FIG. 1;
FIG. 6 is a top plan view of the television receiver of FIG. 1;
FIG. 7 is a bottom plan view of the television receiver of FIG. 1;
FIG. 8 is a partial enlarged view of FIG. 1 that is included to more clearly depict the design from the front perspective view (a-a', b-b', c-c', d-d') of FIG. 1; and,
FIG. 9 is front perspective view of the television receiver of FIG. 1, showing an example environment.
Features shown in broken lines in FIG. 9 form no part of the claimed design.

See application file for complete search history.

1 Claim, 6 Drawing Sheets

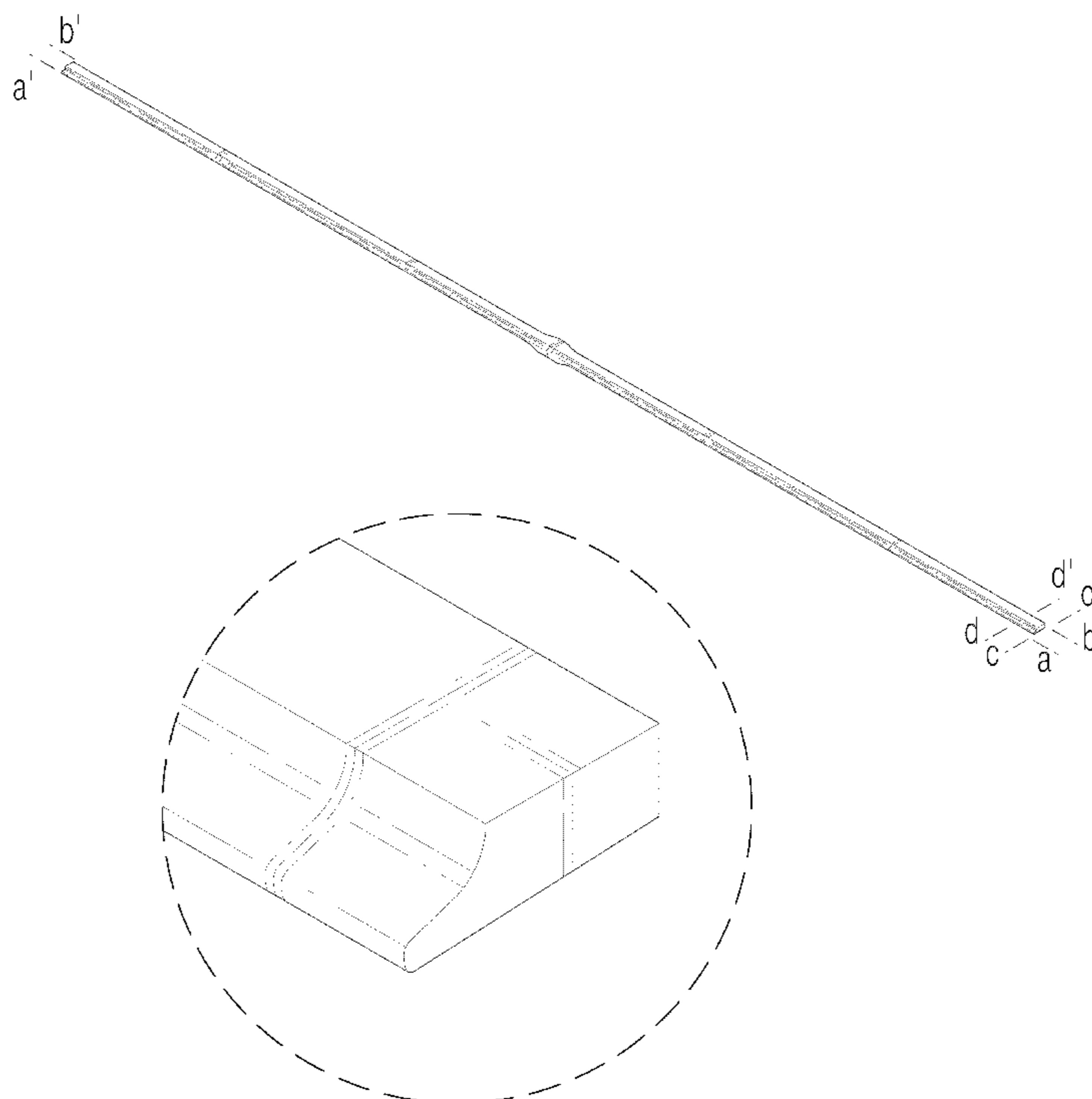


FIG. 1

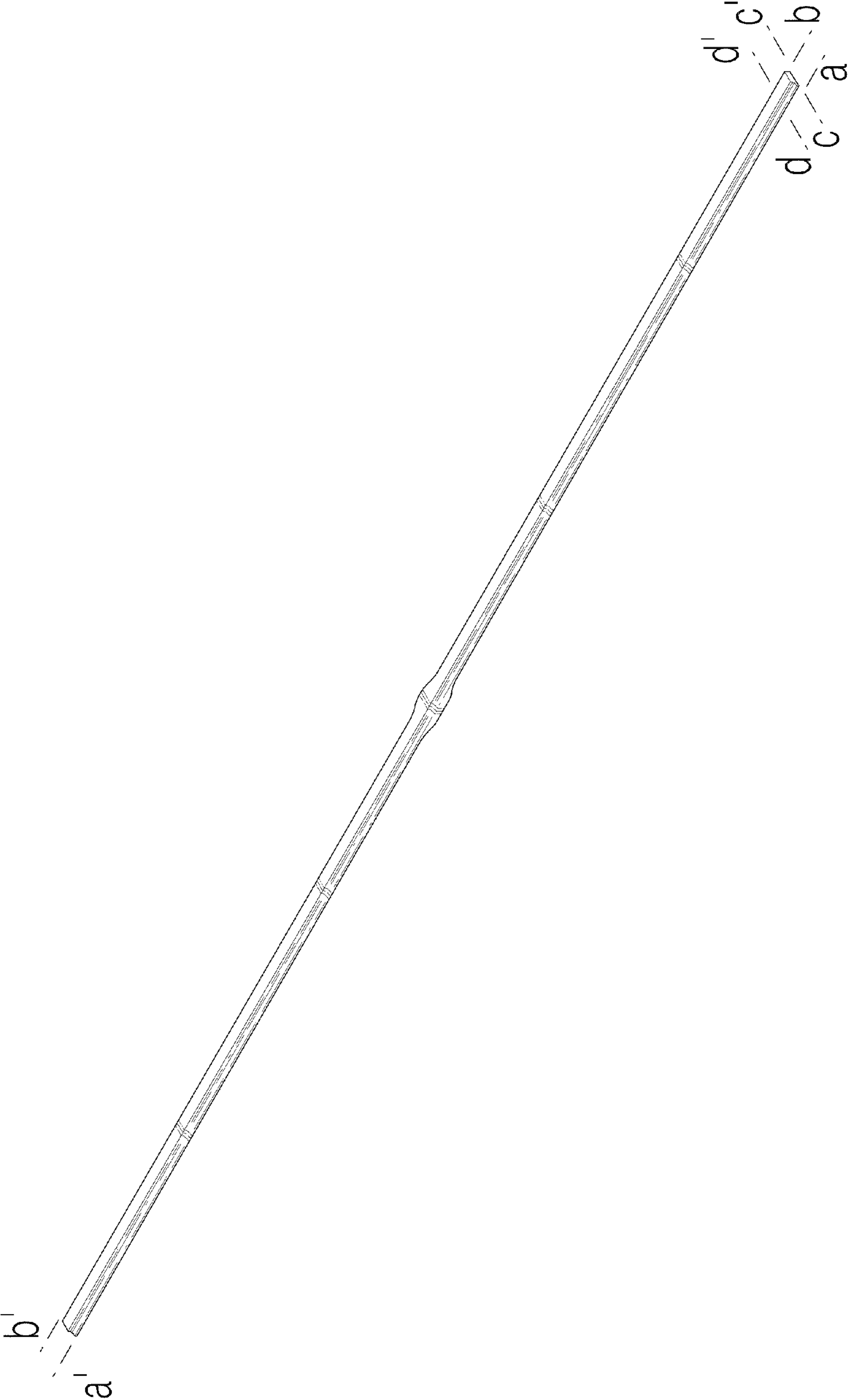


FIG. 2



FIG. 3



FIG. 4



FIG. 5



FIG. 6



FIG. 7



FIG. 8

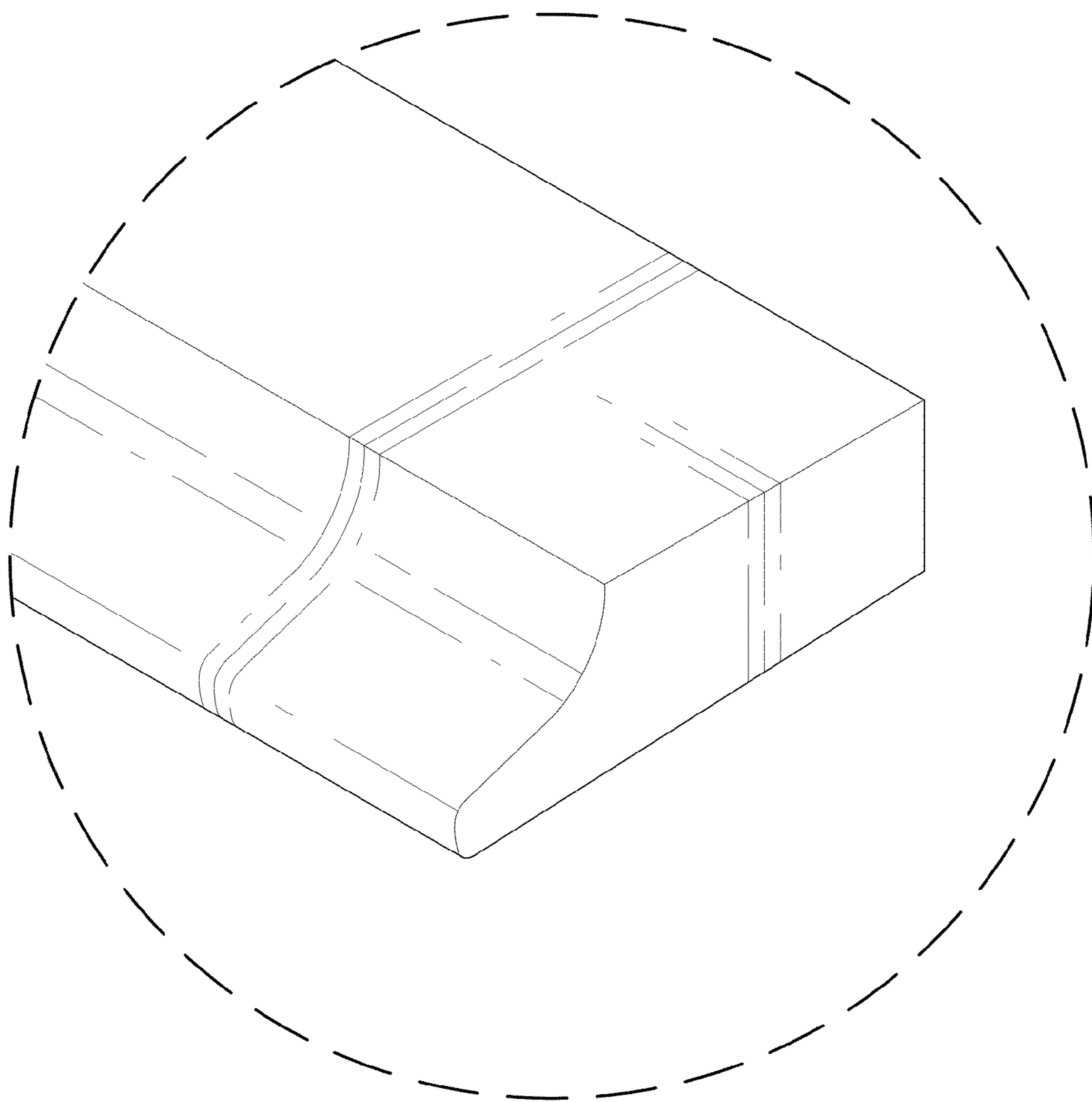


FIG. 9

