



US00D728495S

(12) **United States Design Patent**
McManigal

(10) **Patent No.:** **US D728,495 S**

(45) **Date of Patent:** **** May 5, 2015**

(54) **ELECTRONICS BOX**

(71) Applicant: **Scott Paul McManigal**, Newport Beach, CA (US)

(72) Inventor: **Scott Paul McManigal**, Newport Beach, CA (US)

(73) Assignee: **Vizio Inc.**, Irvine, CA (US)

(**) Term: **14 Years**

(21) Appl. No.: **29/454,615**

(22) Filed: **May 13, 2013**

(51) **LOC (10) Cl.** **14-03**

(52) **U.S. Cl.**
USPC **D14/125**

(58) **Field of Classification Search**
USPC D14/125, 357-358, 496, 188, 242, 432;
D13/184; 348/10, 460, 706, 731;
340/825.03; 455/6.1, 6.2; 312/223.1,
312/7.2

See application file for complete search history.

(56) **References Cited**

U.S. PATENT DOCUMENTS

D382,255 S * 8/1997 Moffatt D14/358
D407,085 S * 3/1999 Lytel D14/125

D515,554 S * 2/2006 Kwon et al. D14/188
D615,962 S * 5/2010 Lee et al. D14/188
D638,425 S * 5/2011 Ikeda et al. D14/358
D640,692 S * 6/2011 Waisman-Diamond D14/358
D641,343 S * 7/2011 Kim et al. D14/240
D707,666 S * 6/2014 Ting et al. D14/240

* cited by examiner

Primary Examiner — Randall Gholson

(74) *Attorney, Agent, or Firm* — Law Office of Scott C. Harris, Inc.

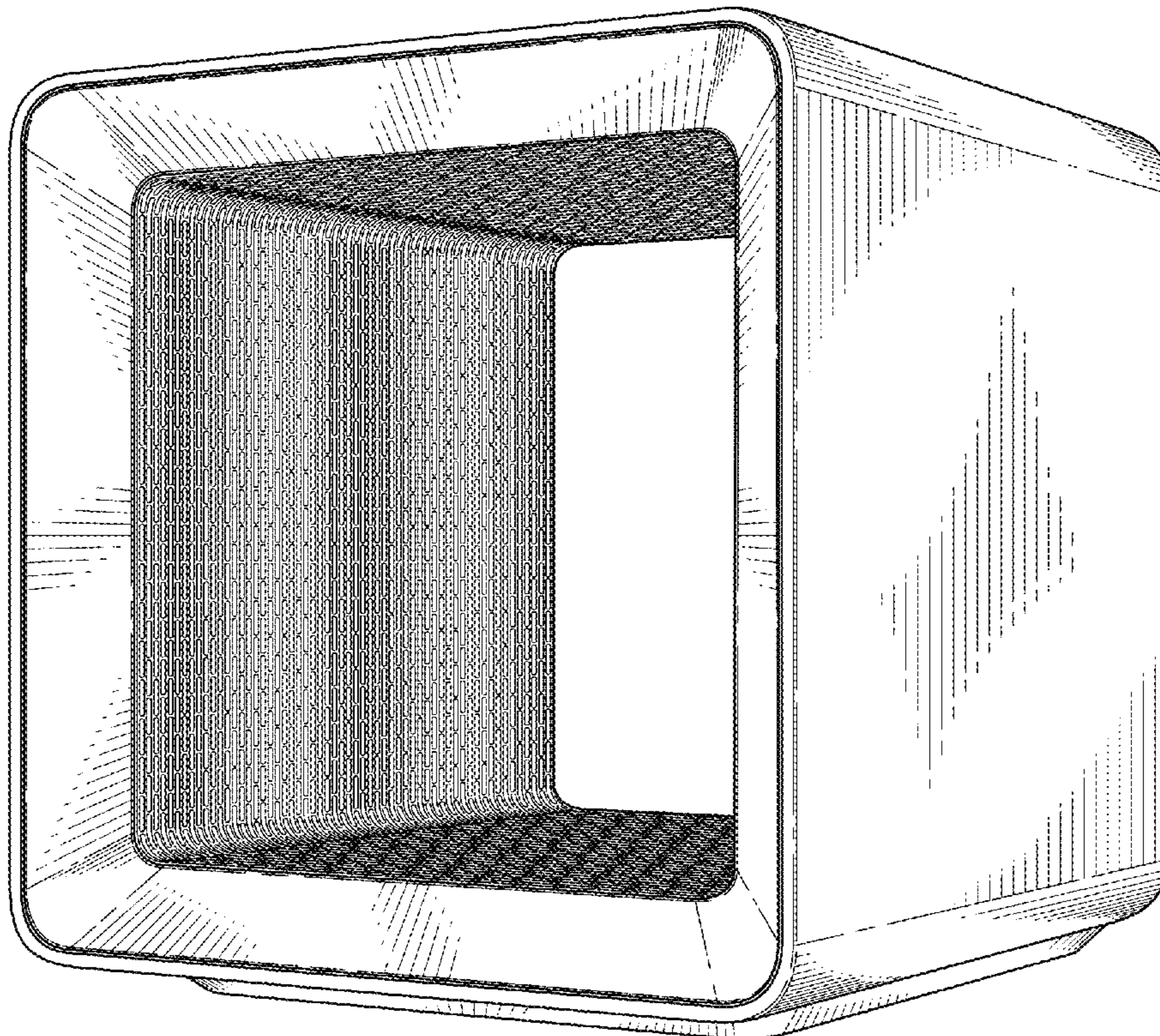
(57) **CLAIM**

I claim the ornamental design for a electronics box, as shown and described.

DESCRIPTION

FIG. 1 is a front perspective view of the electronics box; FIG. 2 is a front view of the electronics box; FIG. 3 shows a rear view of the electronics box; FIG. 4 shows a first side-on view of the electronics box; FIG. 5 shows a second side-on view of the electronics box; FIG. 6 shows a top view of the electronics box; and, FIG. 7 shows a bottom view of the electronics box. The portions of the graphical user interface shown in broken lines form no part of the claimed design.

1 Claim, 4 Drawing Sheets



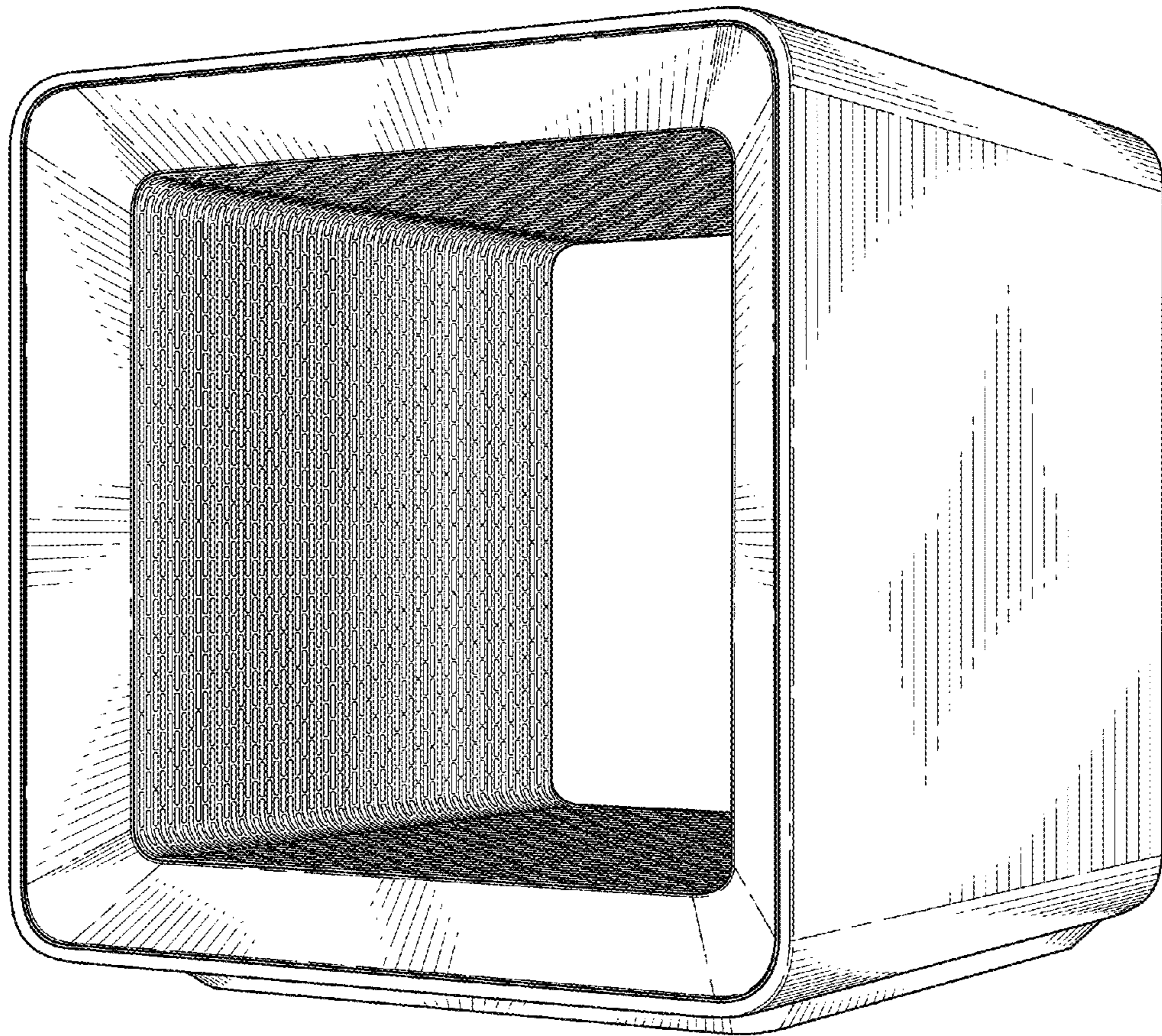


FIG. 1

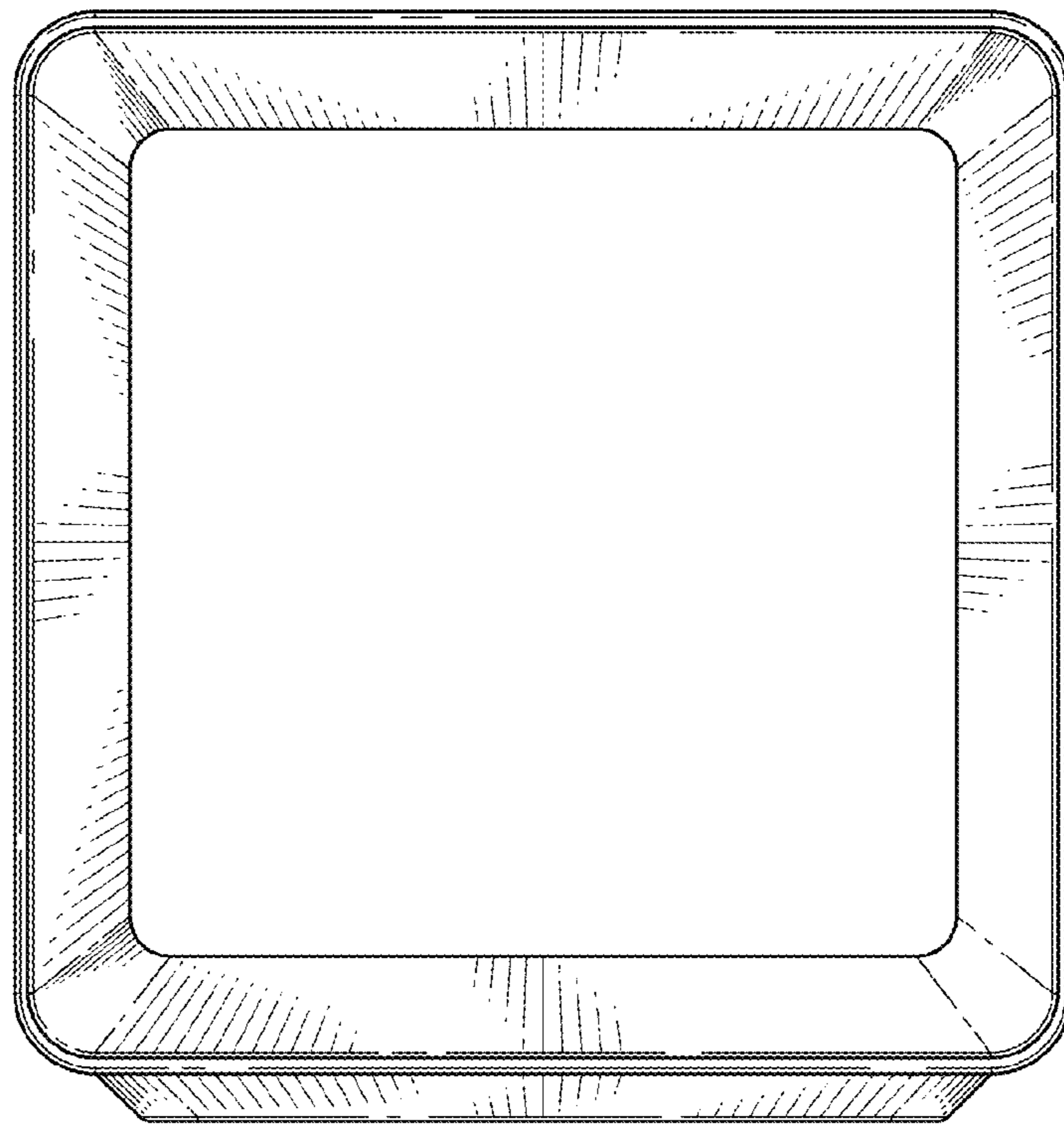


FIG. 2

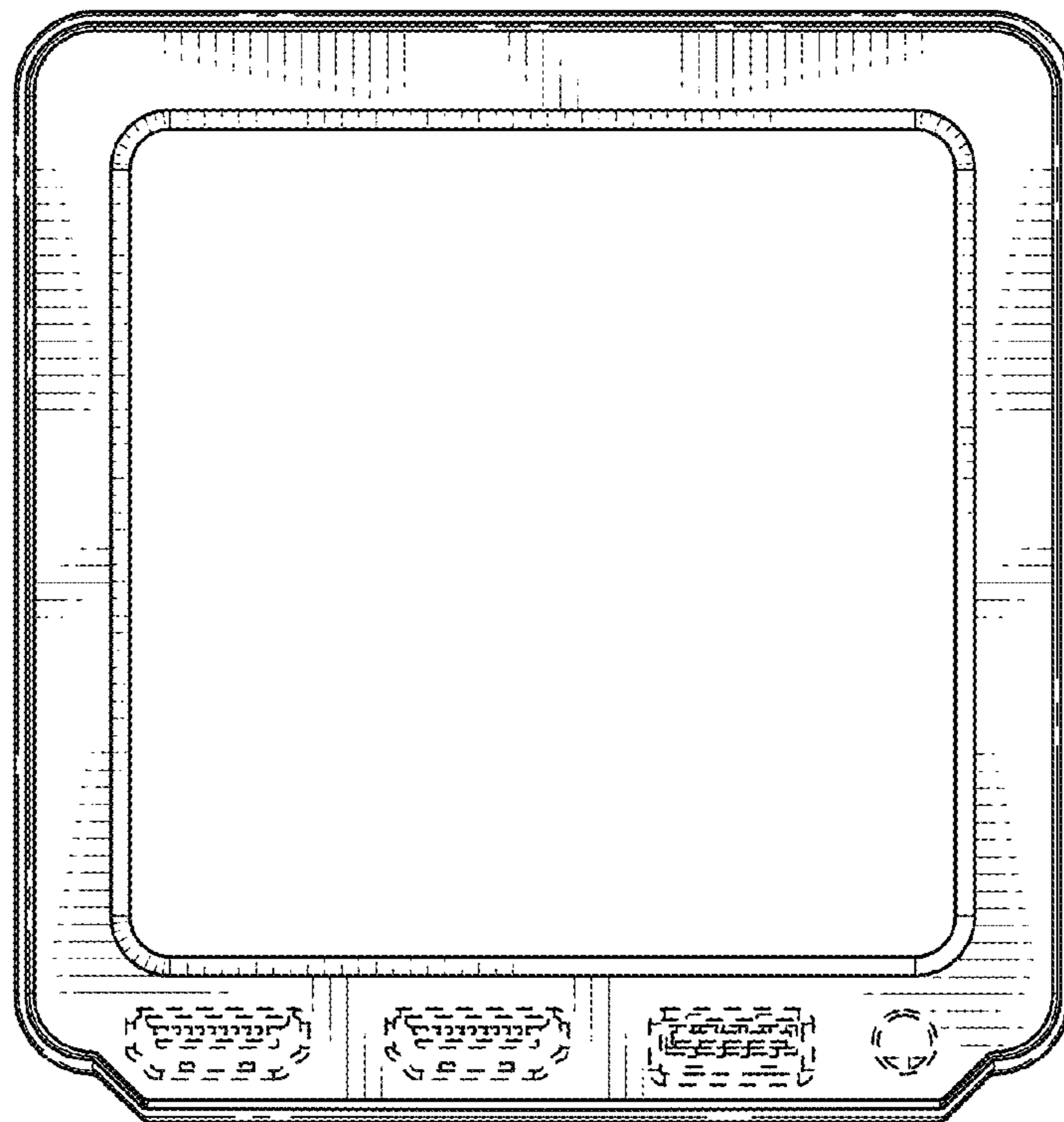


FIG. 3

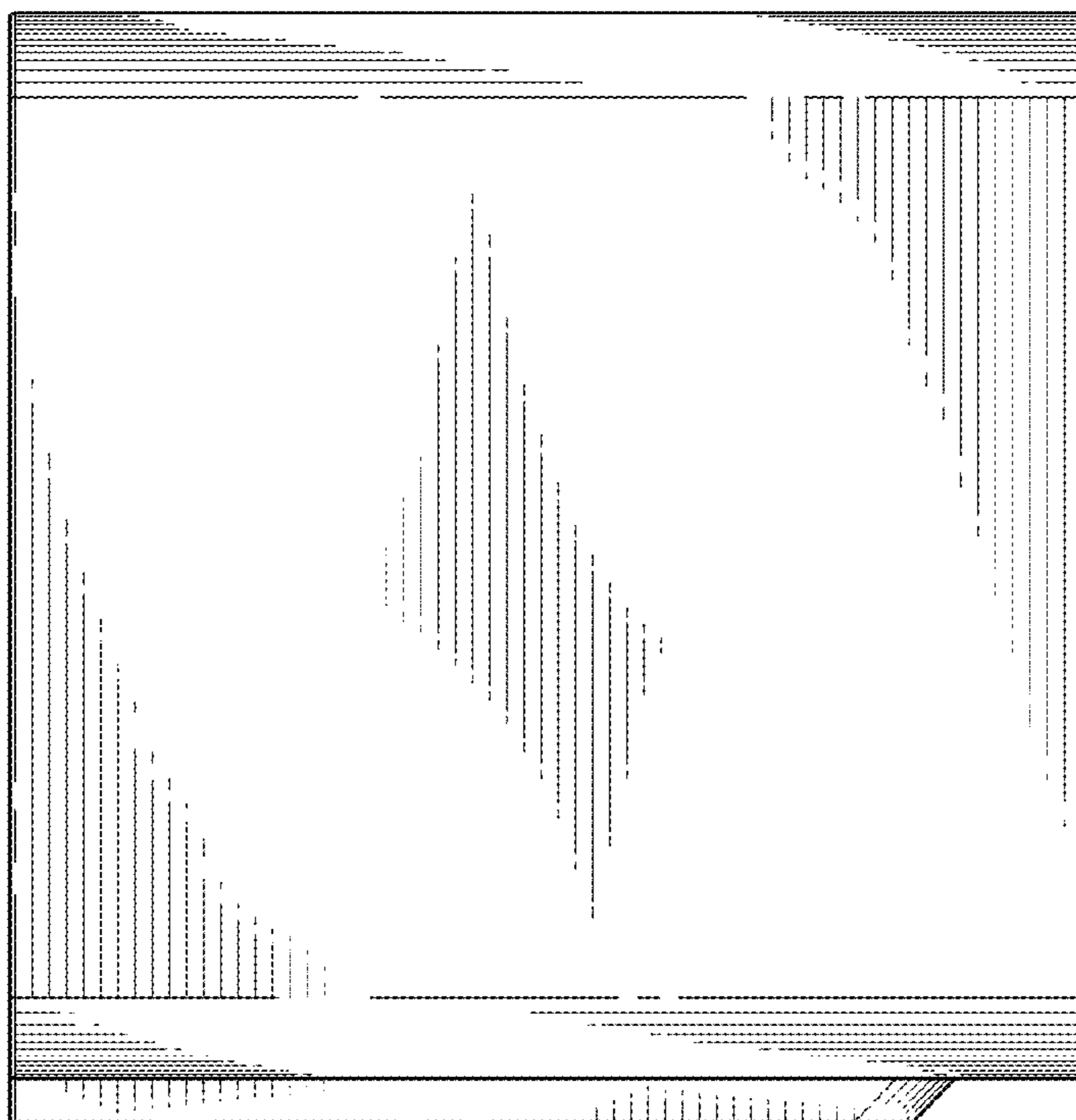


FIG. 4

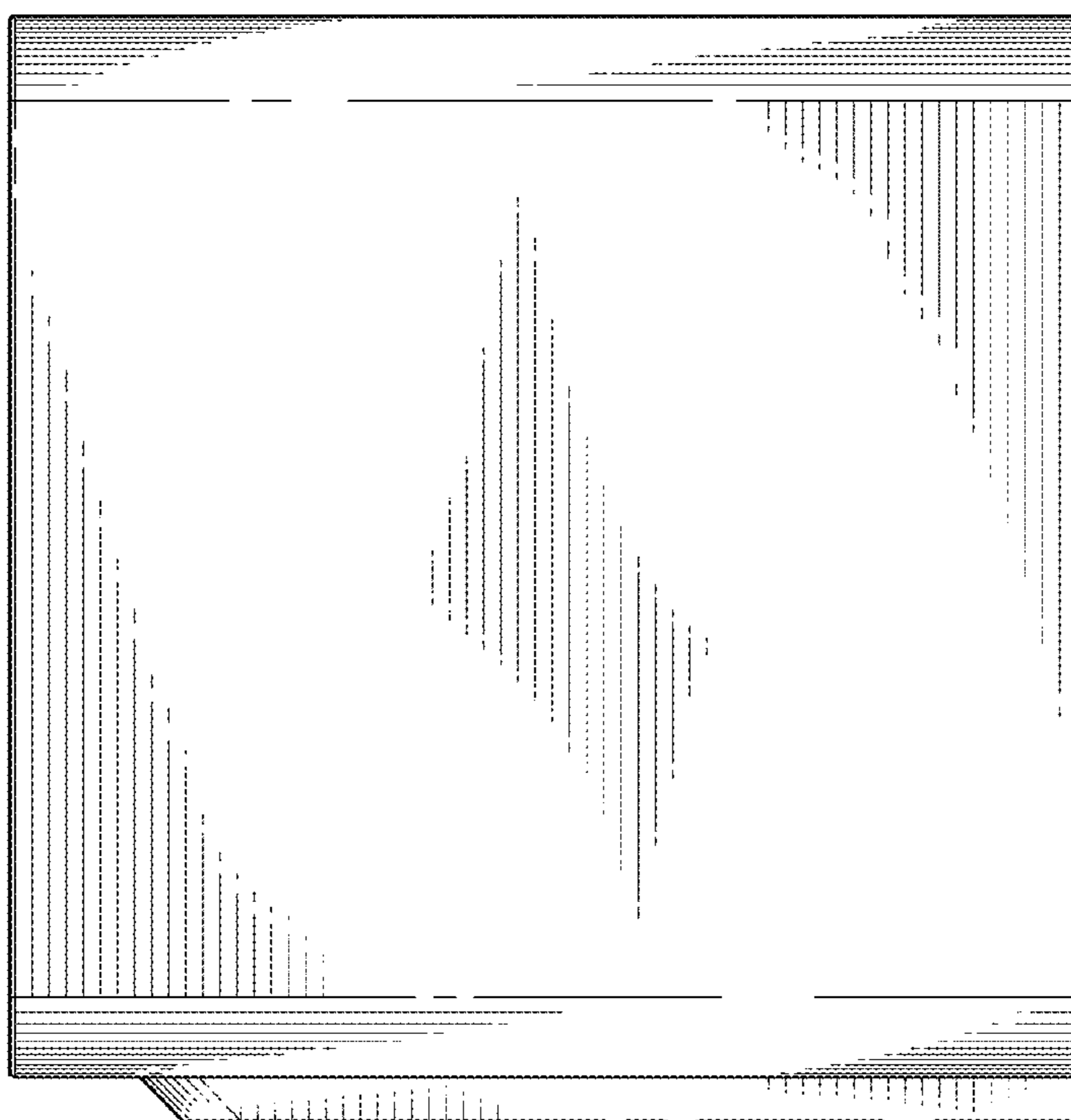


FIG. 5

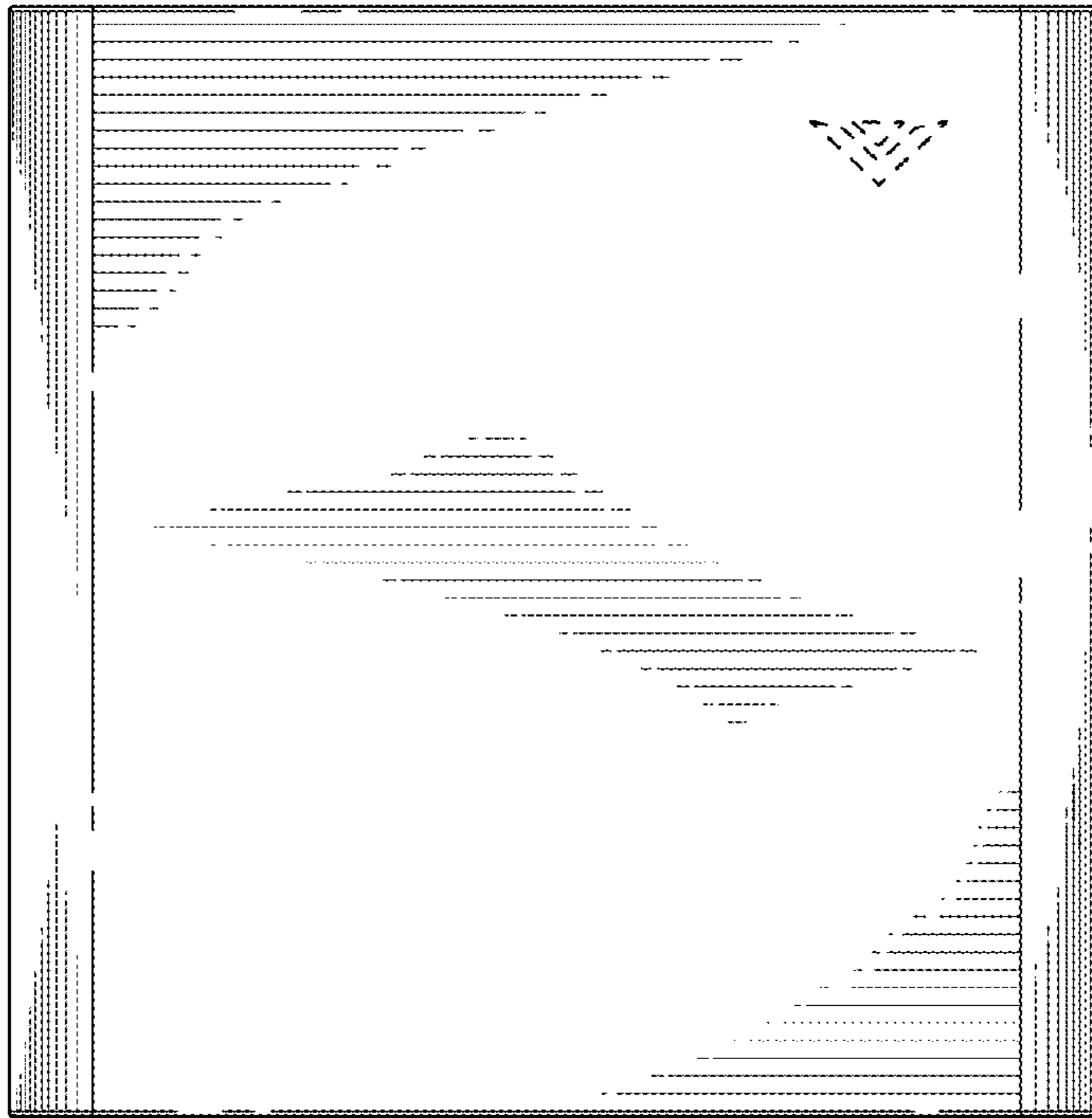


FIG. 6

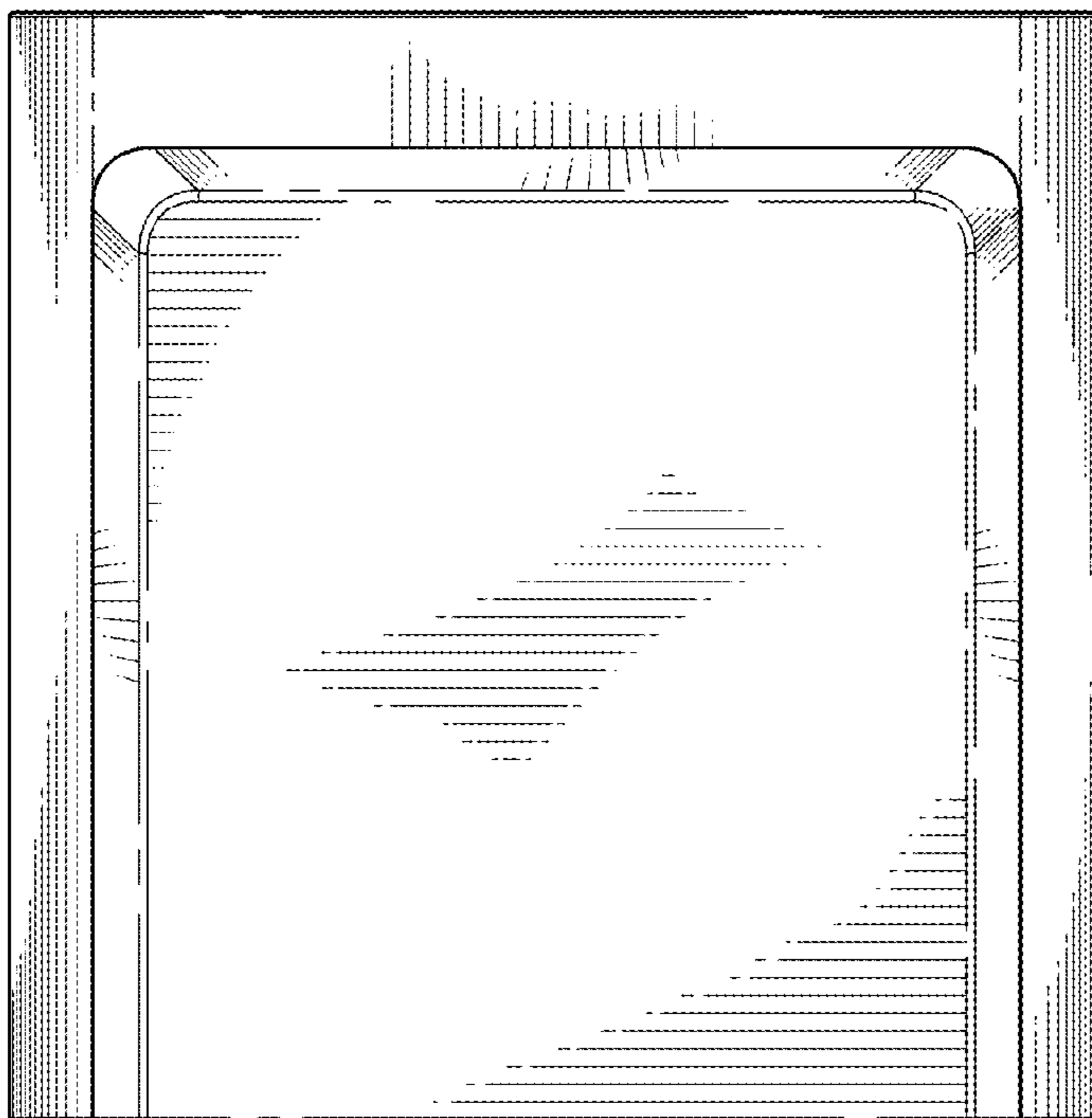


FIG. 7