



US00D728494S

(12) **United States Design Patent**
Yeh et al.

(10) **Patent No.:** **US D728,494 S**

(45) **Date of Patent:** **** May 5, 2015**

(54) **LIGHT-EMITTING DIODE ARRAY**

(71) Applicant: **Epistar Corporation**, Hsinchu (TW)

(72) Inventors: **Hui-Chun Yeh**, Hsinchu (TW);
Chien-Fu Shen, Hsinchu (TW);
Tsun-Kai Ko, Hsinchu (TW)

(73) Assignee: **Epistar Corporation**, Hsinchu (TW)

(**) Term: **14 Years**

(21) Appl. No.: **29/483,864**

(22) Filed: **Mar. 4, 2014**

(51) **LOC (10) Cl.** **13-03**

(52) **U.S. Cl.**
USPC **D13/180**

(58) **Field of Classification Search**
CPC ... H01L 25/167; H01L 25/0753; H01L 27/15;
H01L 27/156; H01L 31/02; H01L 33/00;
H01L 33/04; H01L 33/08; H01L 33/10;
H01L 33/20; H01L 33/38; H01L 33/42;
H01L 33/48; H01L 33/483; H01L 33/486
USPC D13/180; D26/1; 257/79, 80, 81, 88,
257/89, 95, 98, 99, 100, E33.058; 313/483,
313/498, 500; 362/555, 800

See application file for complete search history.

(56) **References Cited**

U.S. PATENT DOCUMENTS

8,188,504	B2 *	5/2012	Lee	257/99
D681,564	S *	5/2013	Hsu et al.	D13/180
D681,569	S *	5/2013	Yeh et al.	D13/180
D684,550	S *	6/2013	Yeh et al.	D13/180
D697,490	S *	1/2014	Yeh et al.	D13/180
2005/0052878	A1 *	3/2005	Yamada et al.	362/460
2005/0212002	A1 *	9/2005	Sanga et al.	257/96

* cited by examiner

Primary Examiner — Selina Sikder

(74) *Attorney, Agent, or Firm* — Lowe Hauptman & Ham, LLP

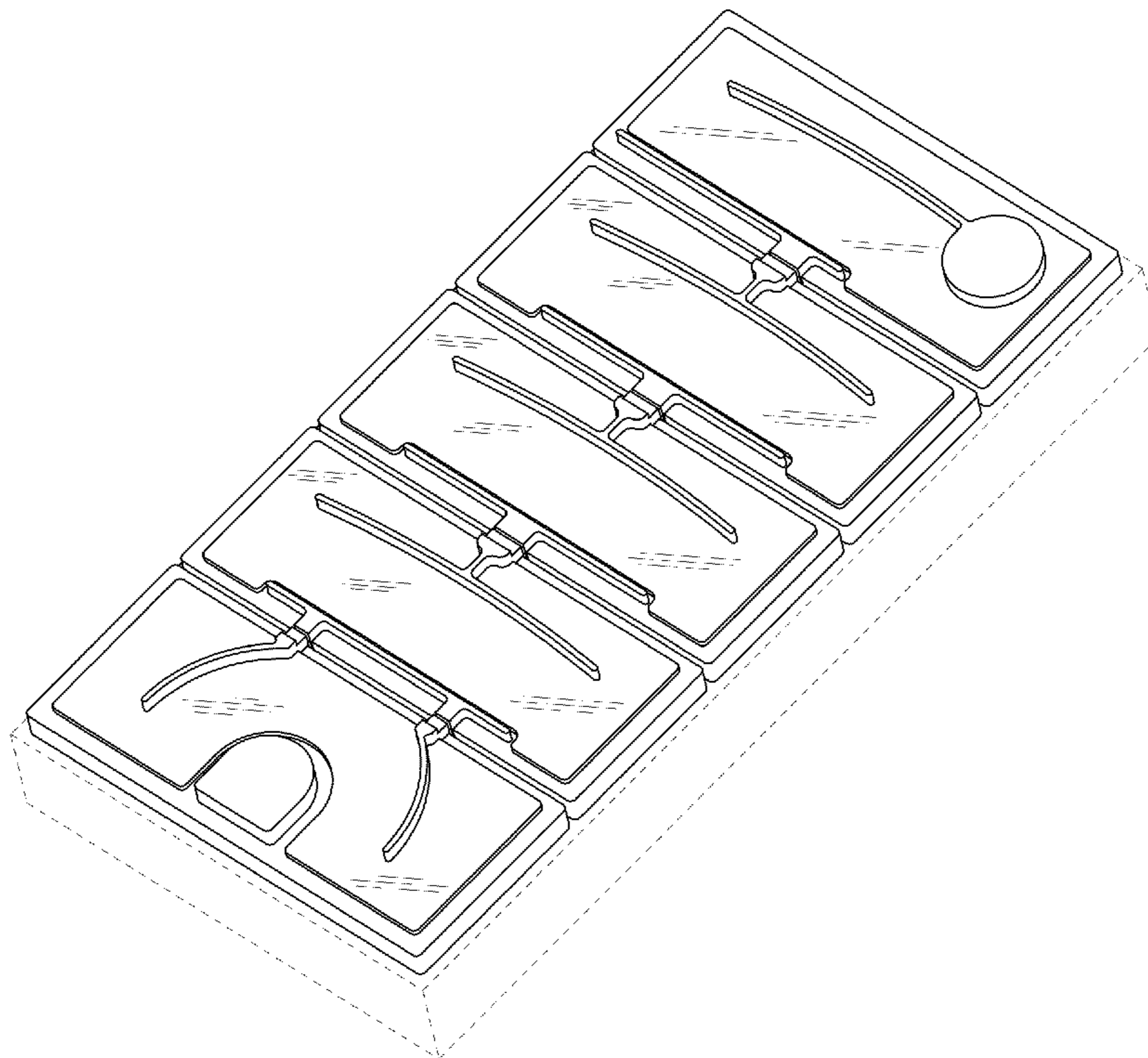
(57) **CLAIM**

The ornamental design for a light-emitting diode array, as shown and described.

DESCRIPTION

FIG. 1 is a perspective view of a light-emitting diode array showing the claimed design;
FIG. 2 is another perspective view thereof;
FIG. 3 is a front elevational view thereof;
FIG. 4 is a rear elevational view thereof;
FIG. 5 is a left side elevational view thereof;
FIG. 6 is a right side elevational view thereof;
FIG. 7 is a top plan view thereof; and,
FIG. 8 is a bottom plan view thereof.
The broken lines are directed to environment and are provided for illustrative purpose only; the broken lines form no part of the claimed design.

1 Claim, 6 Drawing Sheets



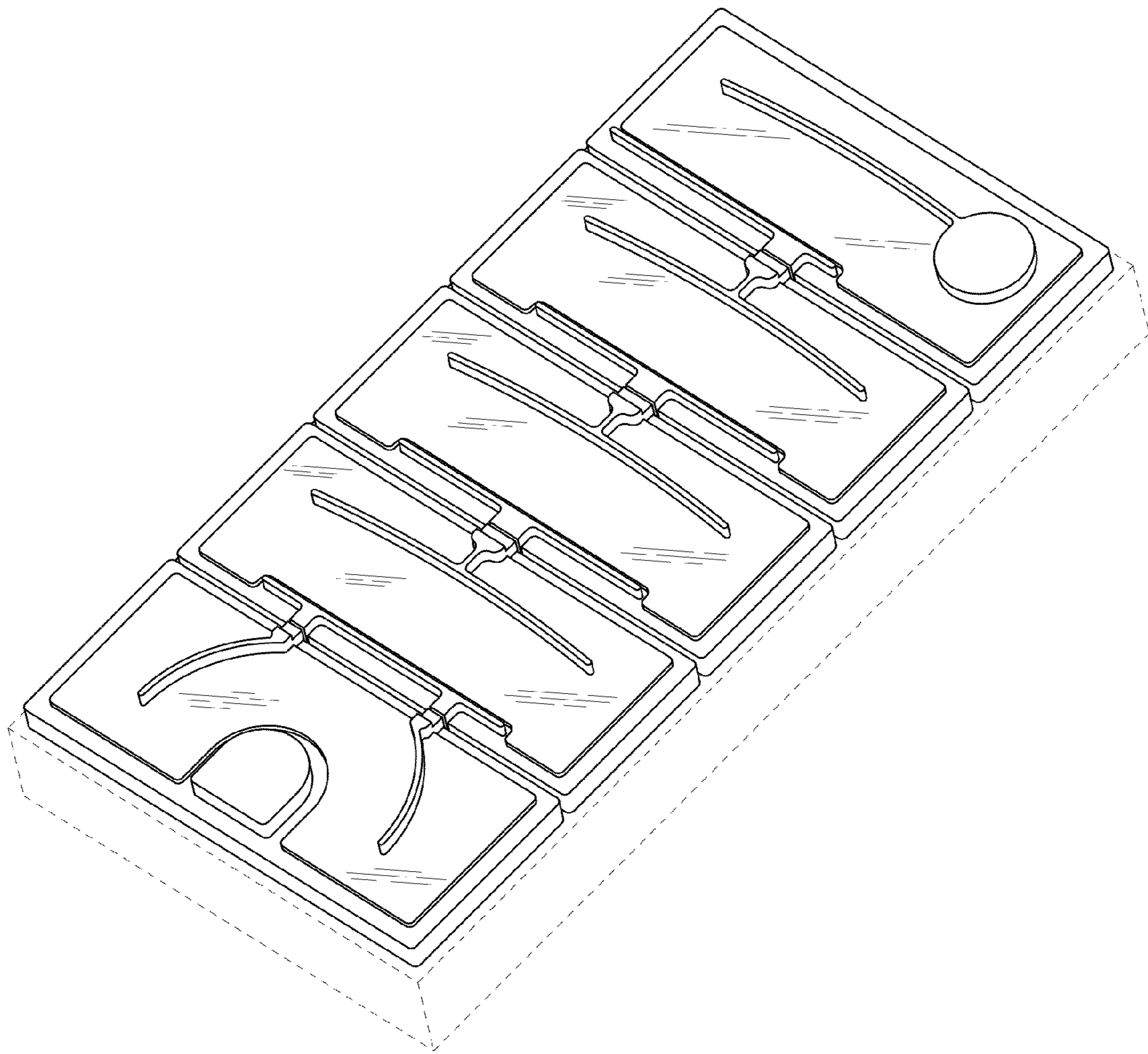


FIG. 1

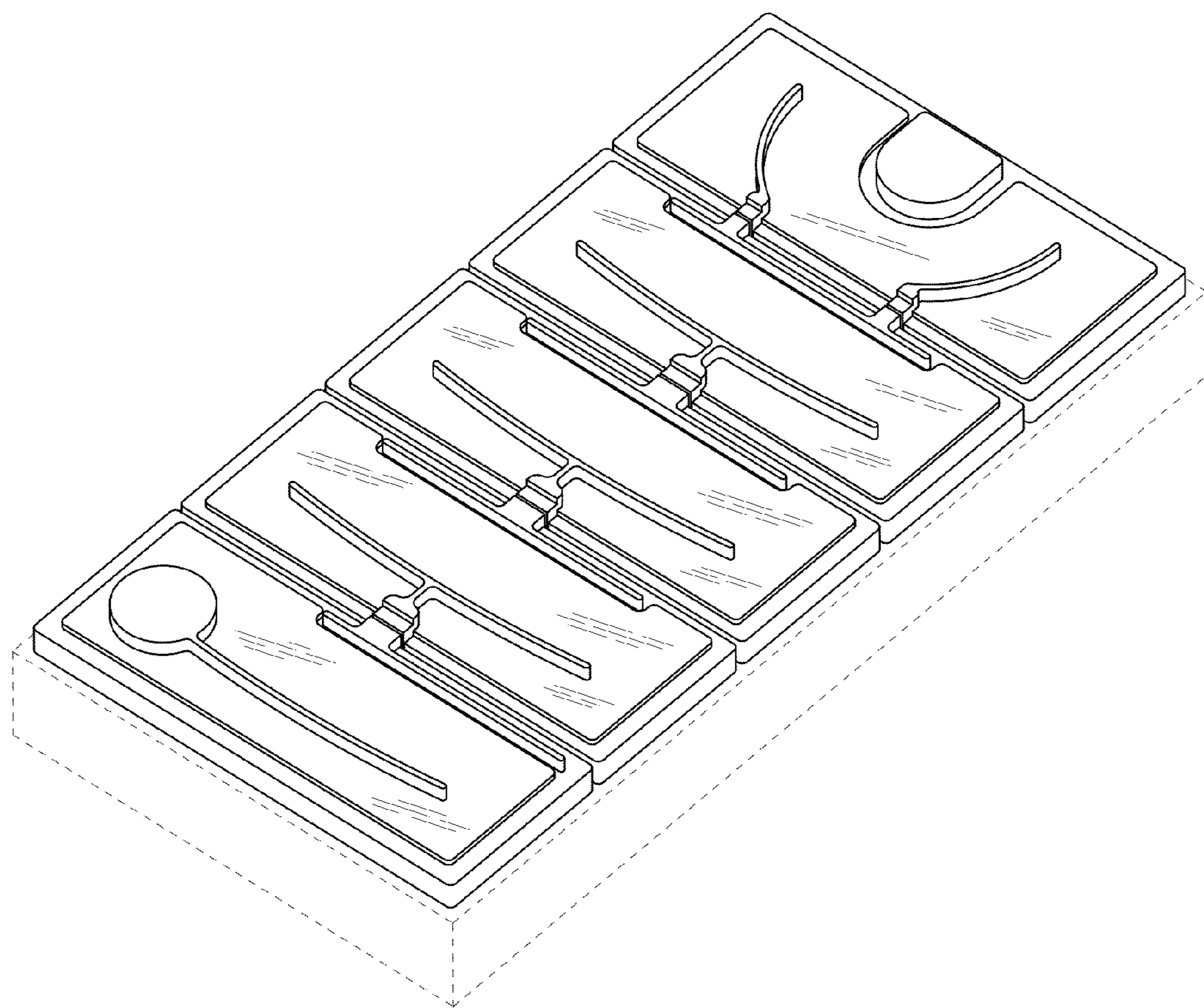


FIG. 2

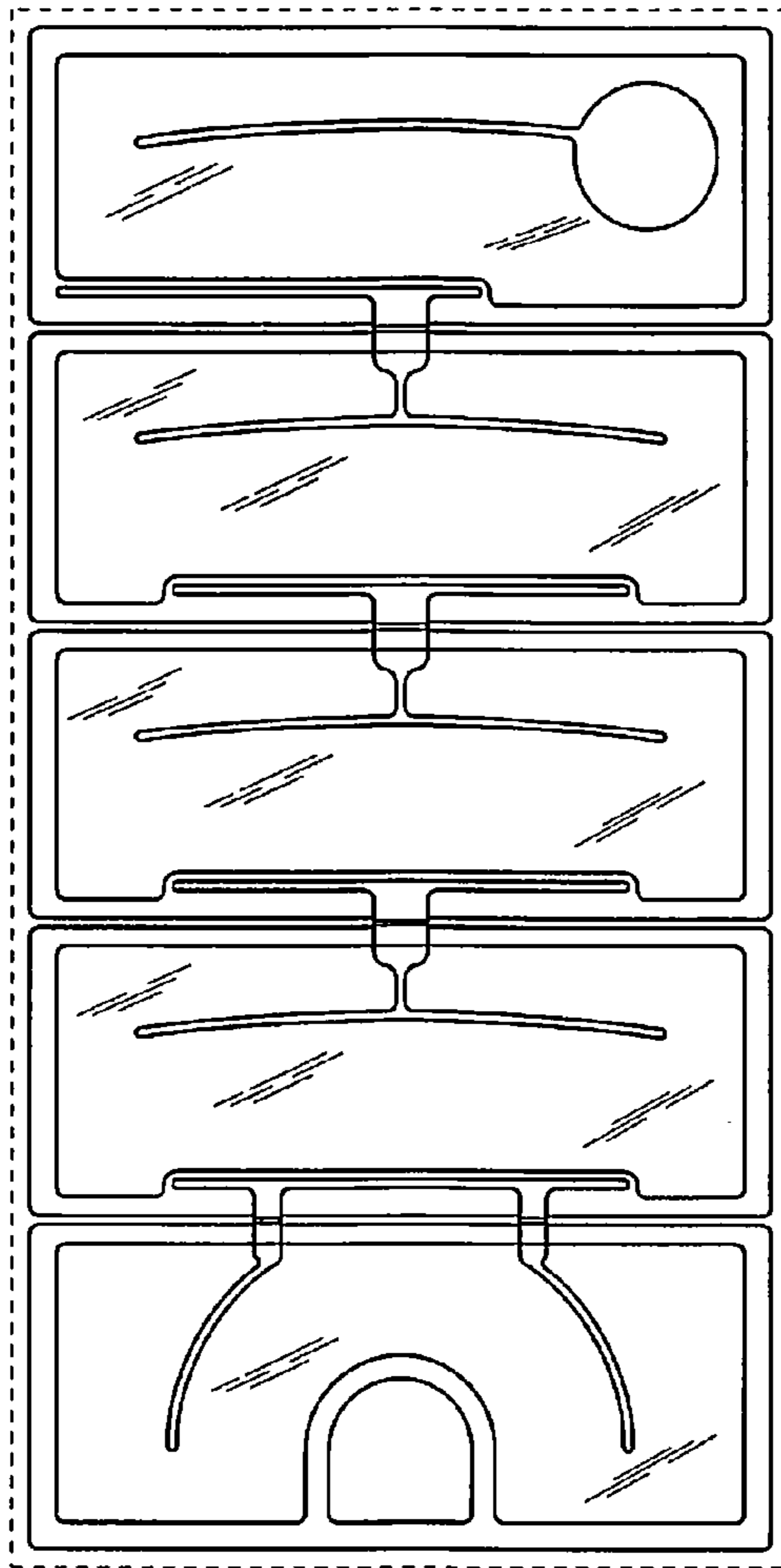


FIG. 3

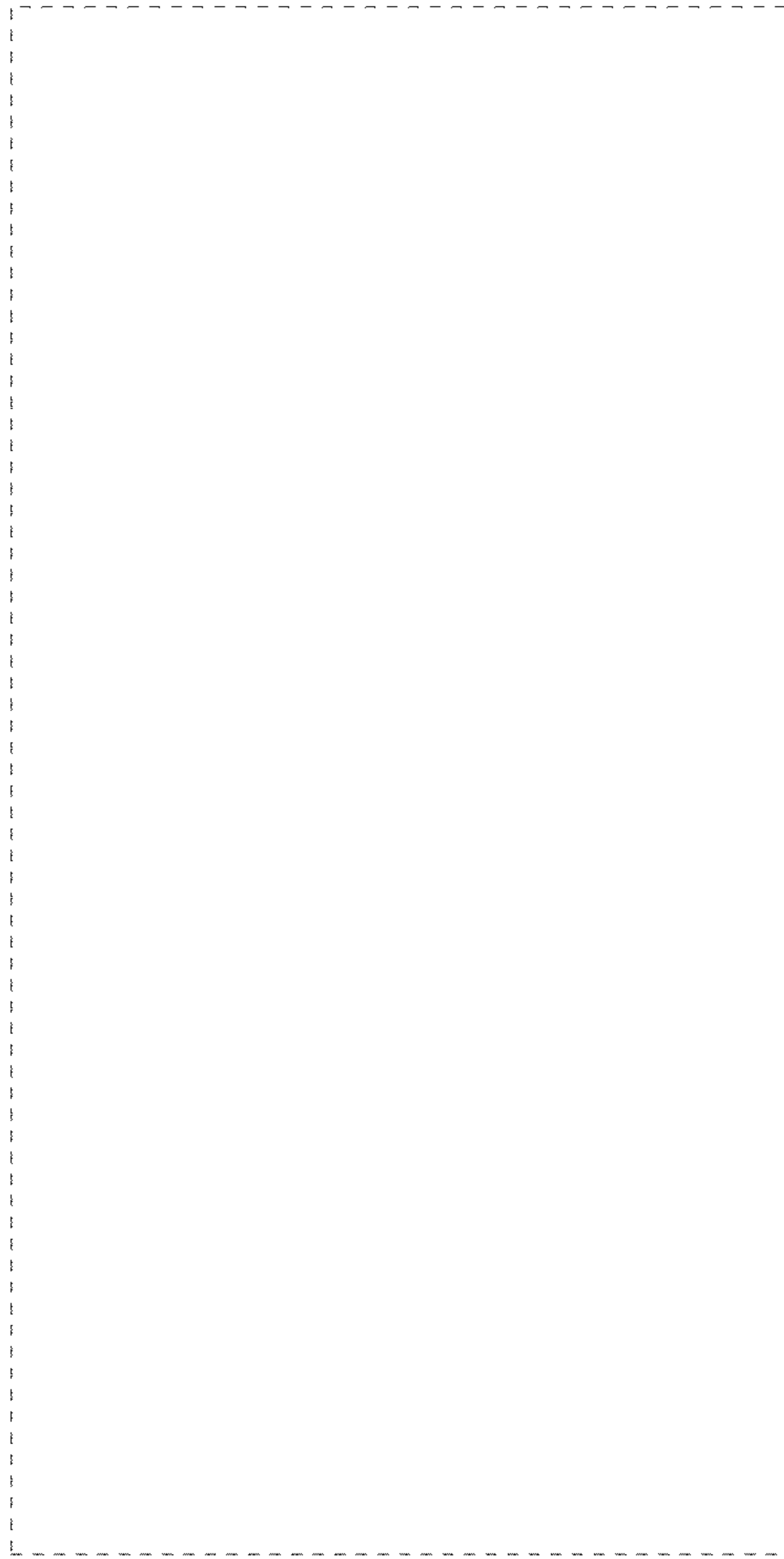


FIG. 4

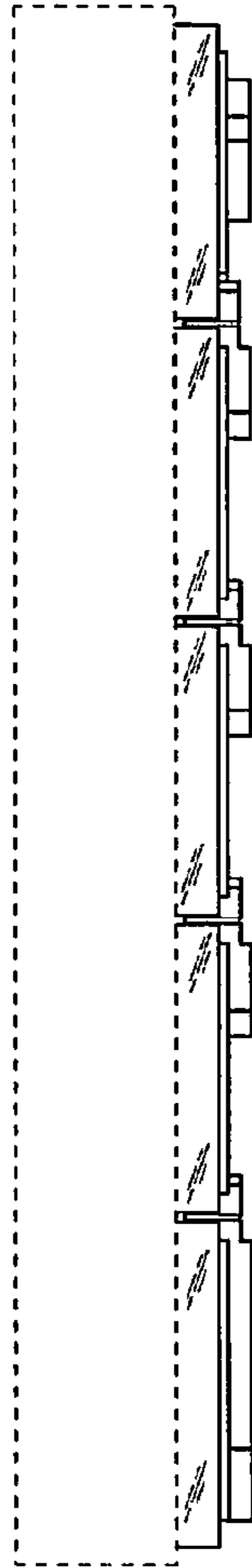


FIG. 5

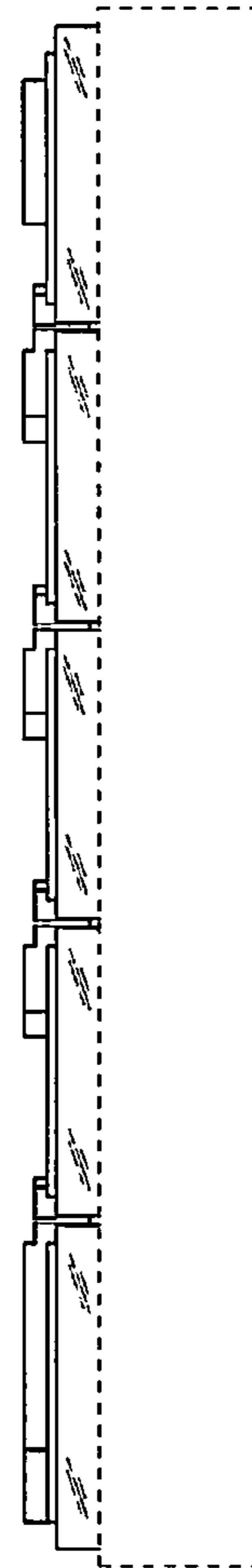


FIG. 6

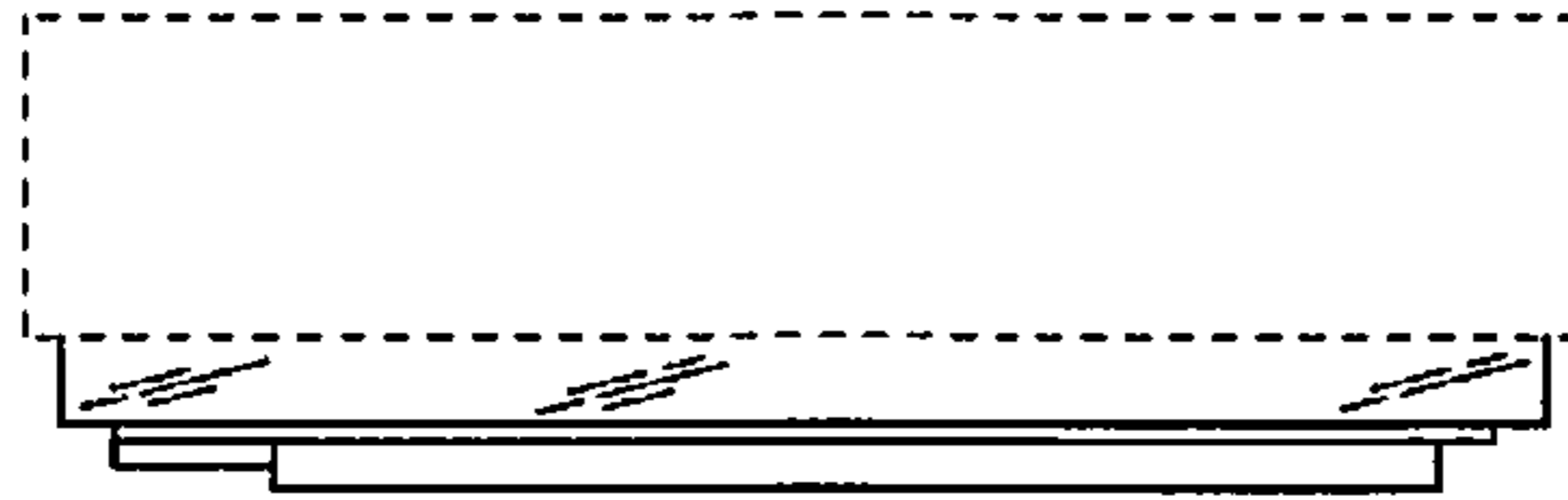


FIG. 7

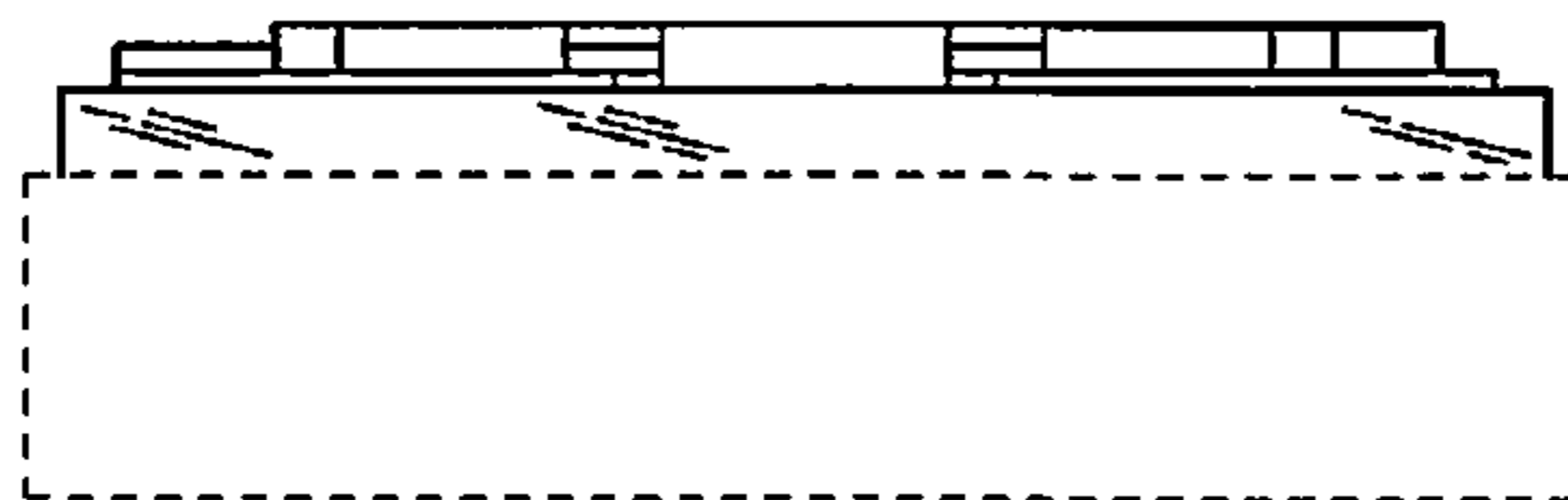


FIG. 8