



US00D728490S

(12) **United States Design Patent**  
**Shum et al.**

(10) **Patent No.:** **US D728,490 S**

(45) **Date of Patent:** **\*\* May 5, 2015**

(54) **HEATSINK**

(71) Applicant: **Soraa, Inc.**, Fremont, CA (US)

(72) Inventors: **Frank Shum**, Goleta, CA (US); **Clifford Jue**, Goleta, CA (US)

(73) Assignee: **Soraa, Inc.**, Fremont, CA (US)

(\*\*) Term: **14 Years**

(21) Appl. No.: **29/469,709**

(22) Filed: **Oct. 14, 2013**

**Related U.S. Application Data**

(60) Division of application No. 29/423,725, filed on Jun. 4, 2012, now Pat. No. Des. 694,722, which is a continuation-in-part of application No. 29/399,524, filed on Aug. 15, 2011, now Pat. No. Des. 662,900, and a continuation-in-part of application No. 29/399,523, filed on Aug. 15, 2011, now Pat. No. Des. 662,899.

(51) **LOC (10) Cl.** ..... **13-03**

(52) **U.S. Cl.**  
USPC ..... **D13/179**

(58) **Field of Classification Search**  
USPC ..... D13/179; D26/2, 113, 118; 165/80.3, 165/104.26, 104.33, 122, 151, 185; 257/706, 707, 718-722; 313/46; 315/52; 361/695, 697, 700, 702, 704, 361/709, 710, 711, 719  
See application file for complete search history.

(56) **References Cited**

**U.S. PATENT DOCUMENTS**

D652,564 S \* 1/2012 Maxik ..... D26/118  
D662,899 S \* 7/2012 Shum et al. .... D13/179  
D662,900 S \* 7/2012 Shum et al. .... D13/179

8,272,762 B2 \* 9/2012 Maxik et al. .... 362/249.02  
D674,960 S \* 1/2013 Chen et al. .... D26/113  
8,405,947 B1 \* 3/2013 Green et al. .... 361/103  
8,525,396 B2 \* 9/2013 Shum et al. .... 313/46  
D694,722 S \* 12/2013 Shum et al. .... D13/179  
2008/0049399 A1 \* 2/2008 Lu et al. .... 361/714  
2008/0080137 A1 \* 4/2008 Otsuki et al. .... 361/697  
2008/0266866 A1 \* 10/2008 Tsai ..... 362/294  
2009/0161356 A1 \* 6/2009 Negley et al. .... 362/231  
2009/0195186 A1 \* 8/2009 Guest et al. .... 315/294  
2009/0244899 A1 \* 10/2009 Chyn ..... 362/294  
2010/0207502 A1 \* 8/2010 Cao et al. .... 313/46  
2010/0264799 A1 \* 10/2010 Liu et al. .... 313/46  
2011/0018418 A1 \* 1/2011 Yoo ..... 313/46  
2012/0161626 A1 \* 6/2012 van de Ven et al. .... 315/35  
2013/0322089 A1 \* 12/2013 Martis et al. .... 362/311.02  
2013/0343062 A1 \* 12/2013 Shum et al. .... 362/311.02  
2014/0091697 A1 \* 4/2014 Shum ..... 313/46  
2014/0175966 A1 \* 6/2014 Tan ..... 313/46

\* cited by examiner

*Primary Examiner* — Selina Sikder

(74) *Attorney, Agent, or Firm* — Kilpatrick Townsend & Stockton LLP

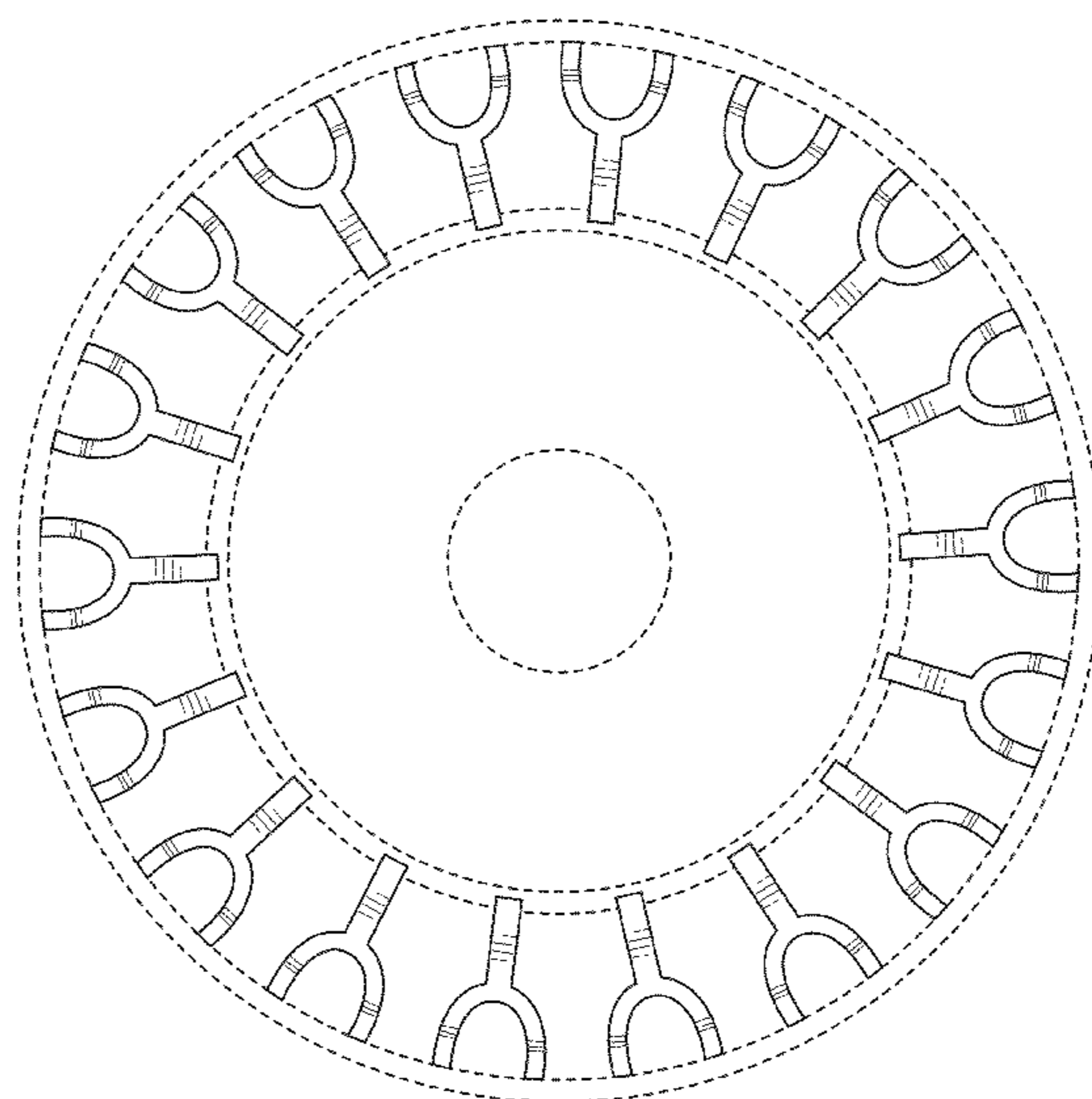
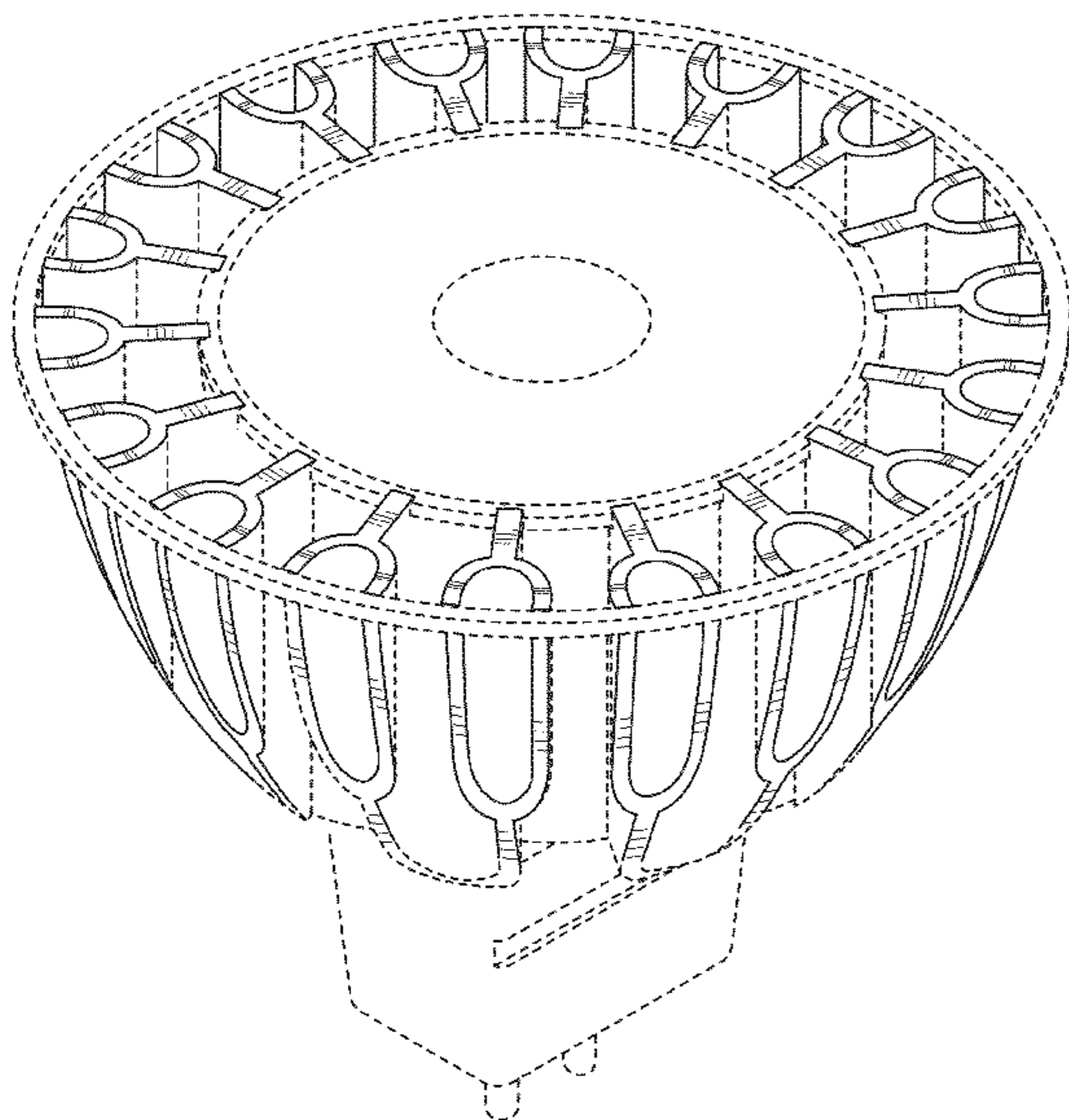
(57) **CLAIM**

The ornamental design for a heatsink, as shown and described.

**DESCRIPTION**

FIG. 1 is a perspective view of a heatsink showing our new design;  
FIG. 2 is a front elevational view thereof;  
FIG. 3 is a rear elevational view thereof;  
FIG. 4 is a left side elevational view thereof;  
FIG. 5 is a right side elevational view thereof;  
FIG. 6 is a top plan view thereof; and,  
FIG. 7 is a bottom plan view thereof.  
The broken lines are for illustrative purposes only and form no part of the claimed design.

**1 Claim, 7 Drawing Sheets**



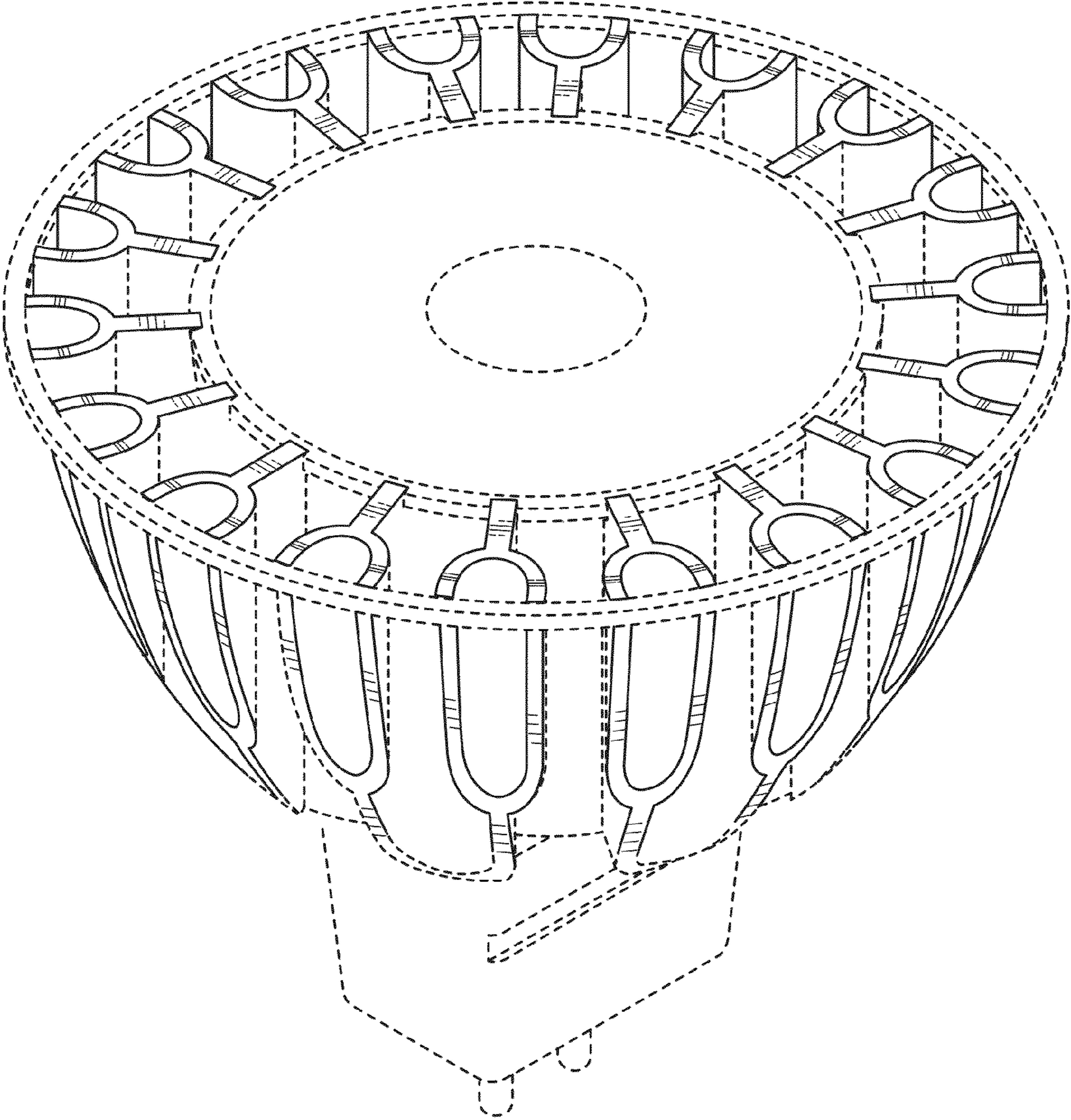


FIG. 1

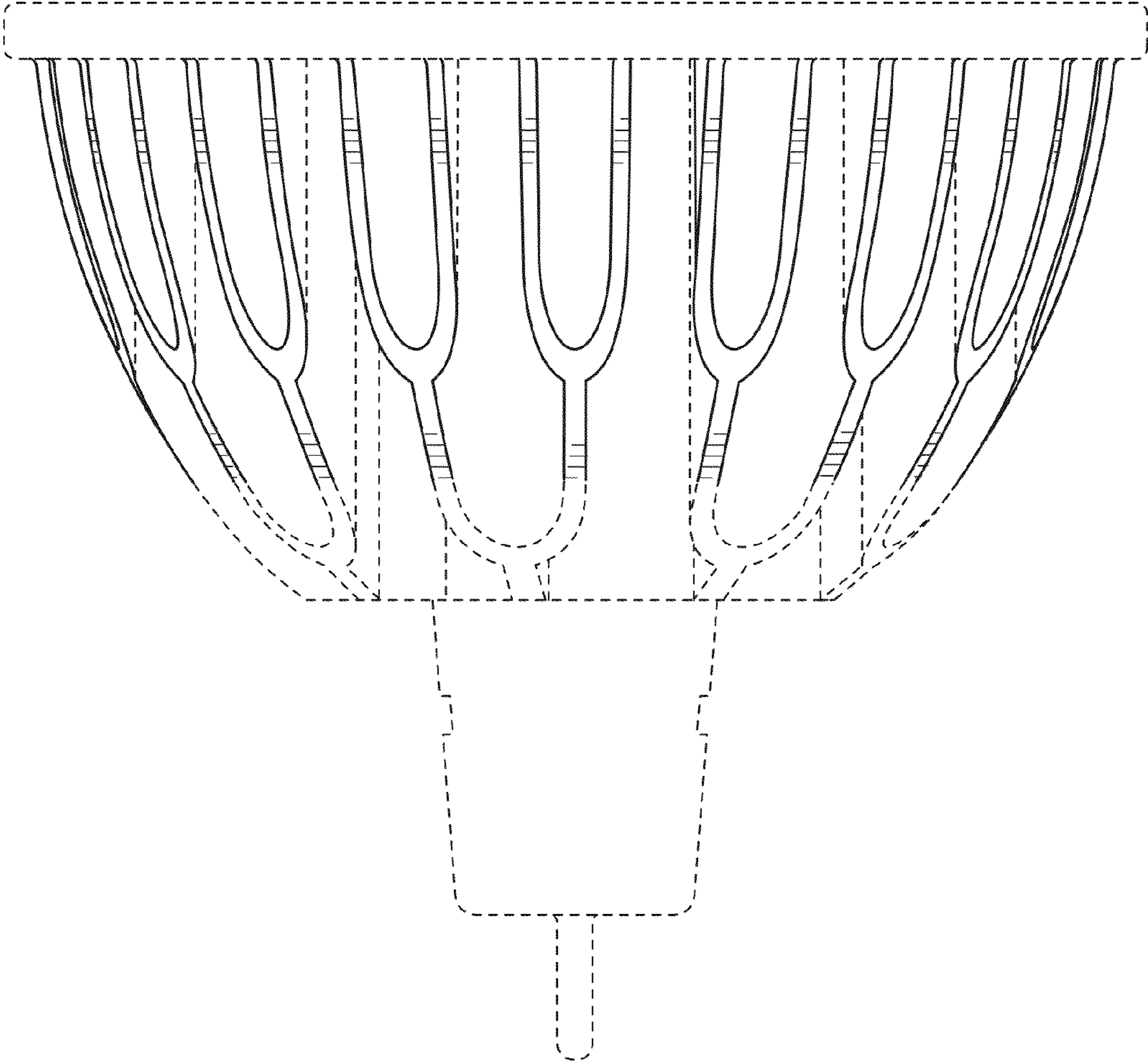


FIG. 2

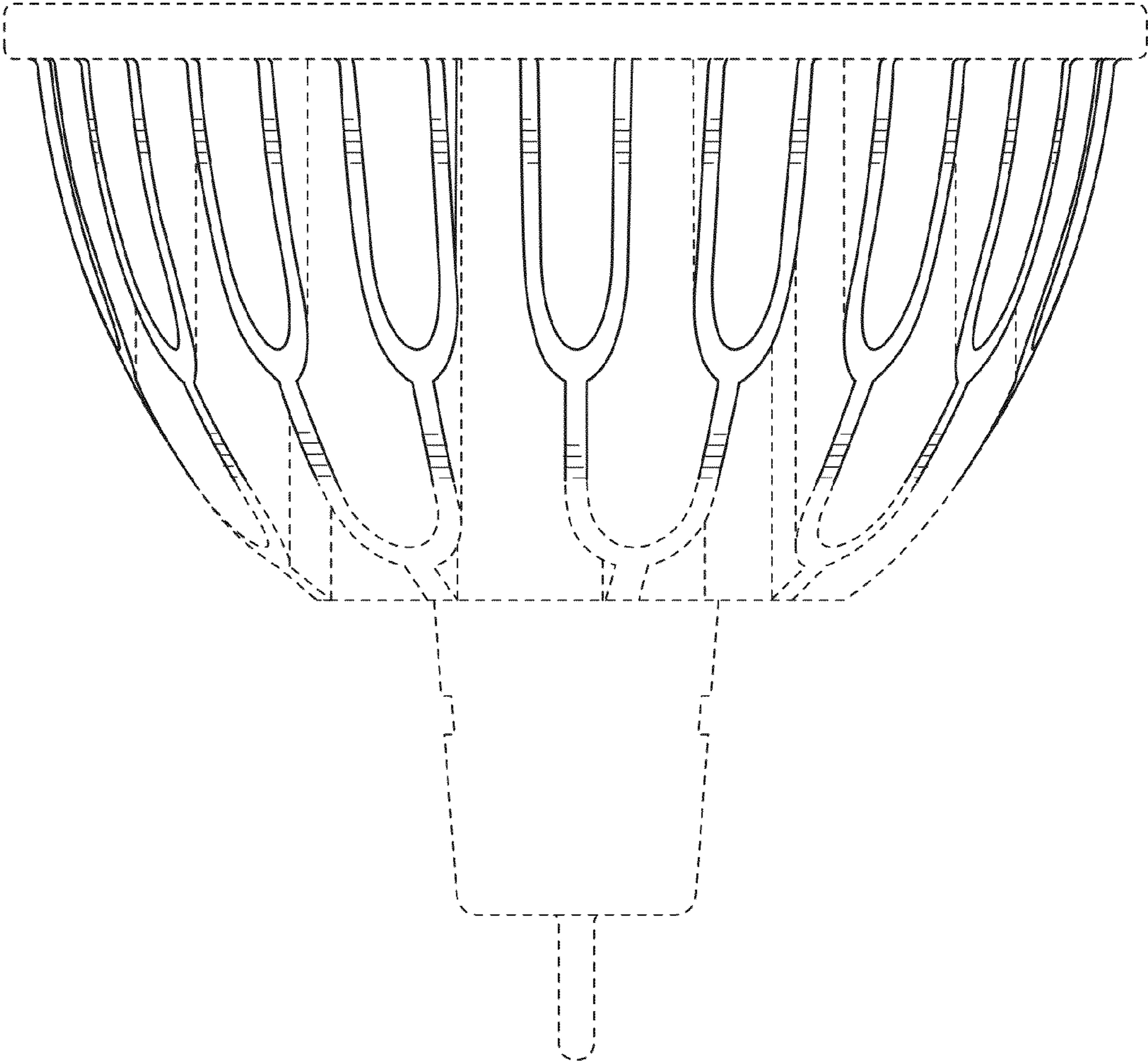


FIG. 3

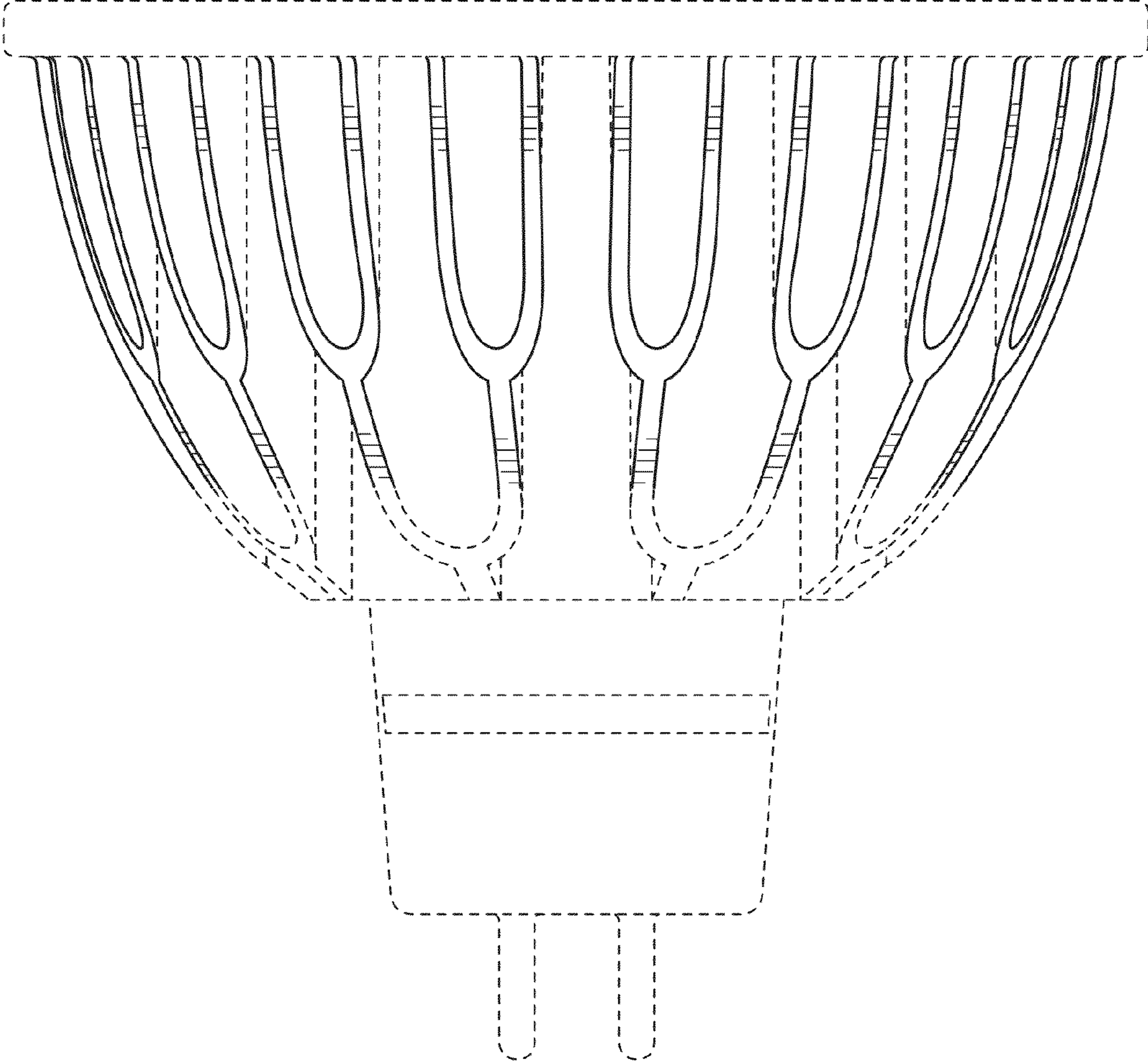


FIG. 4

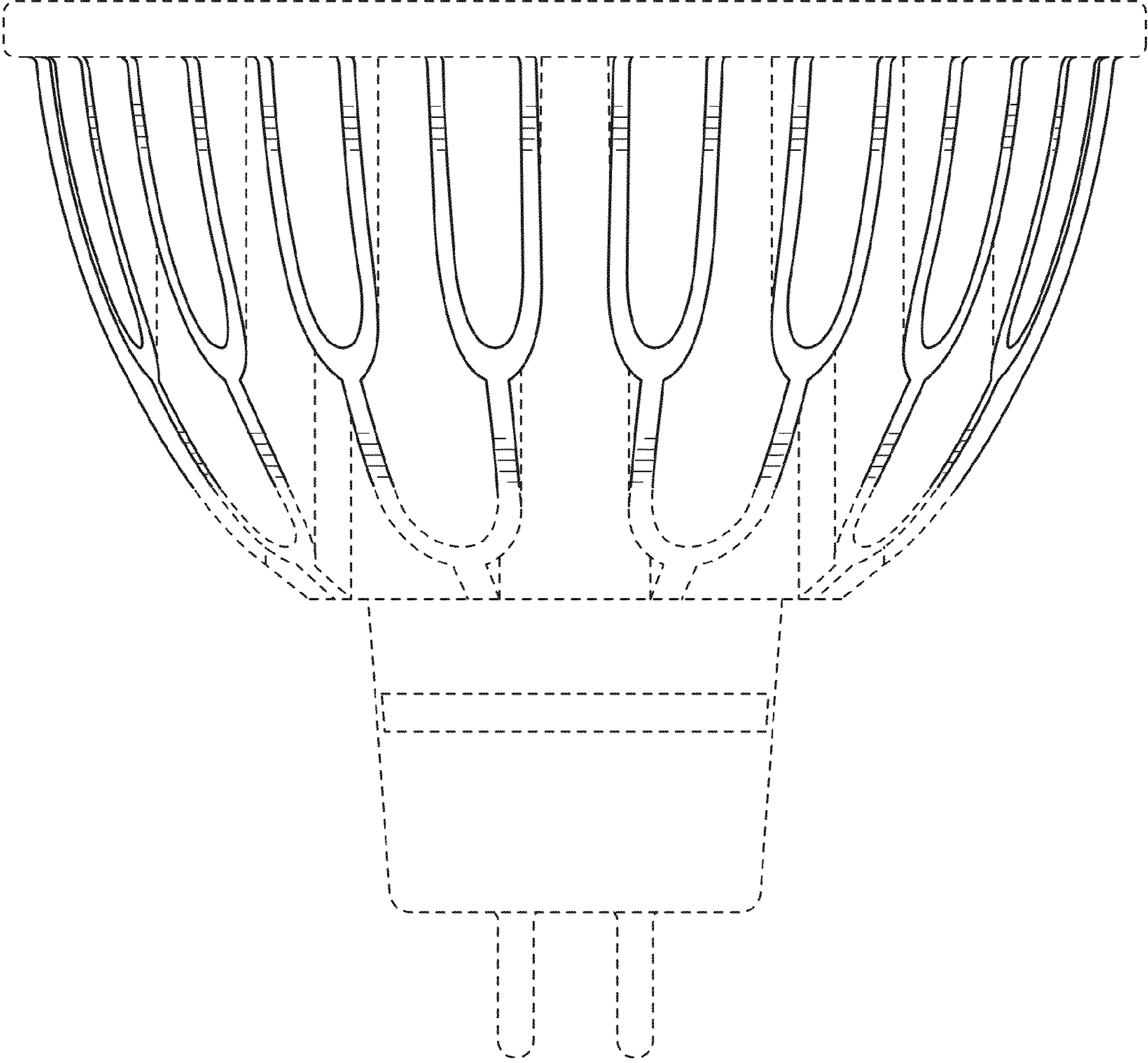


FIG. 5

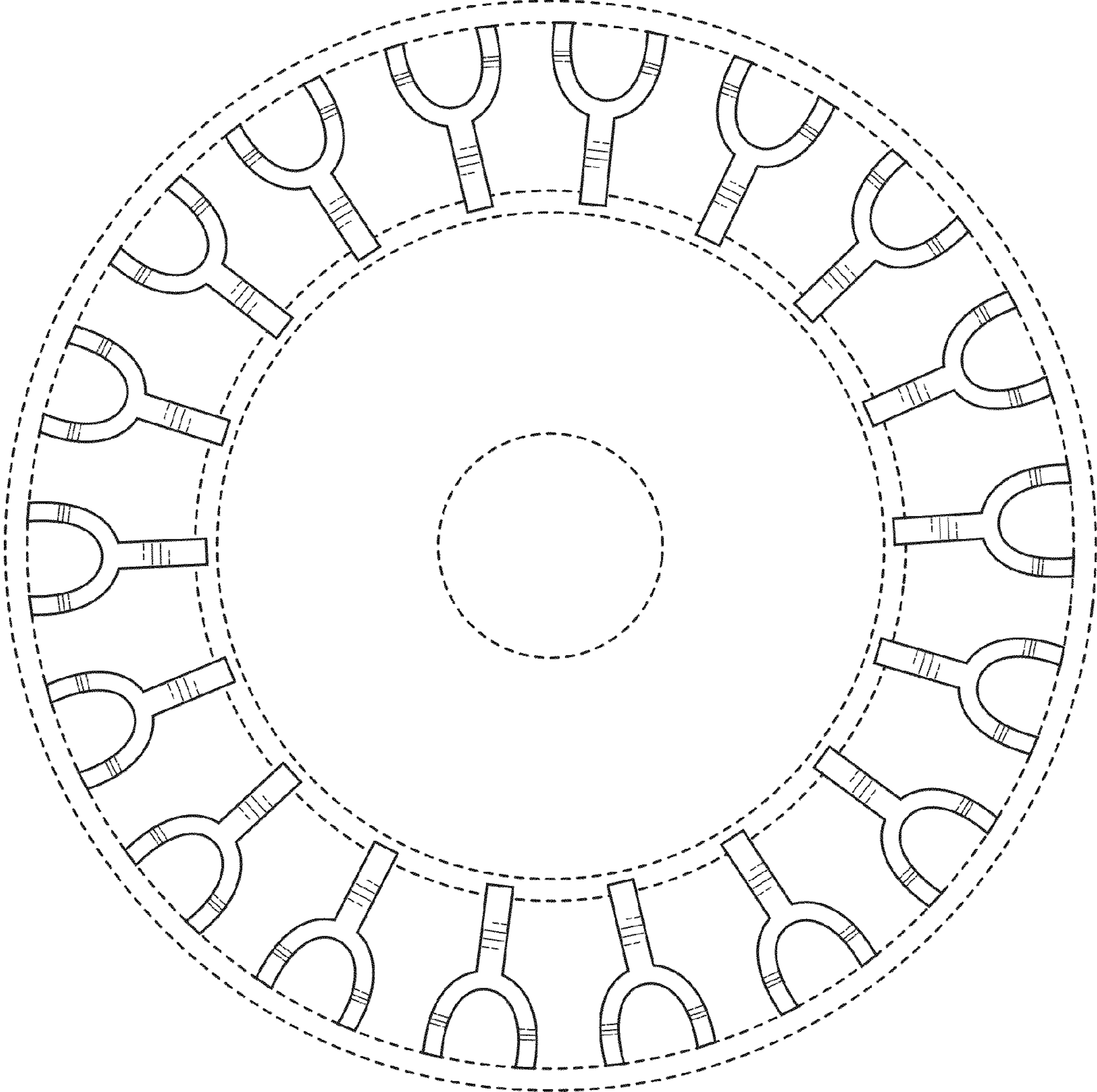


FIG. 6

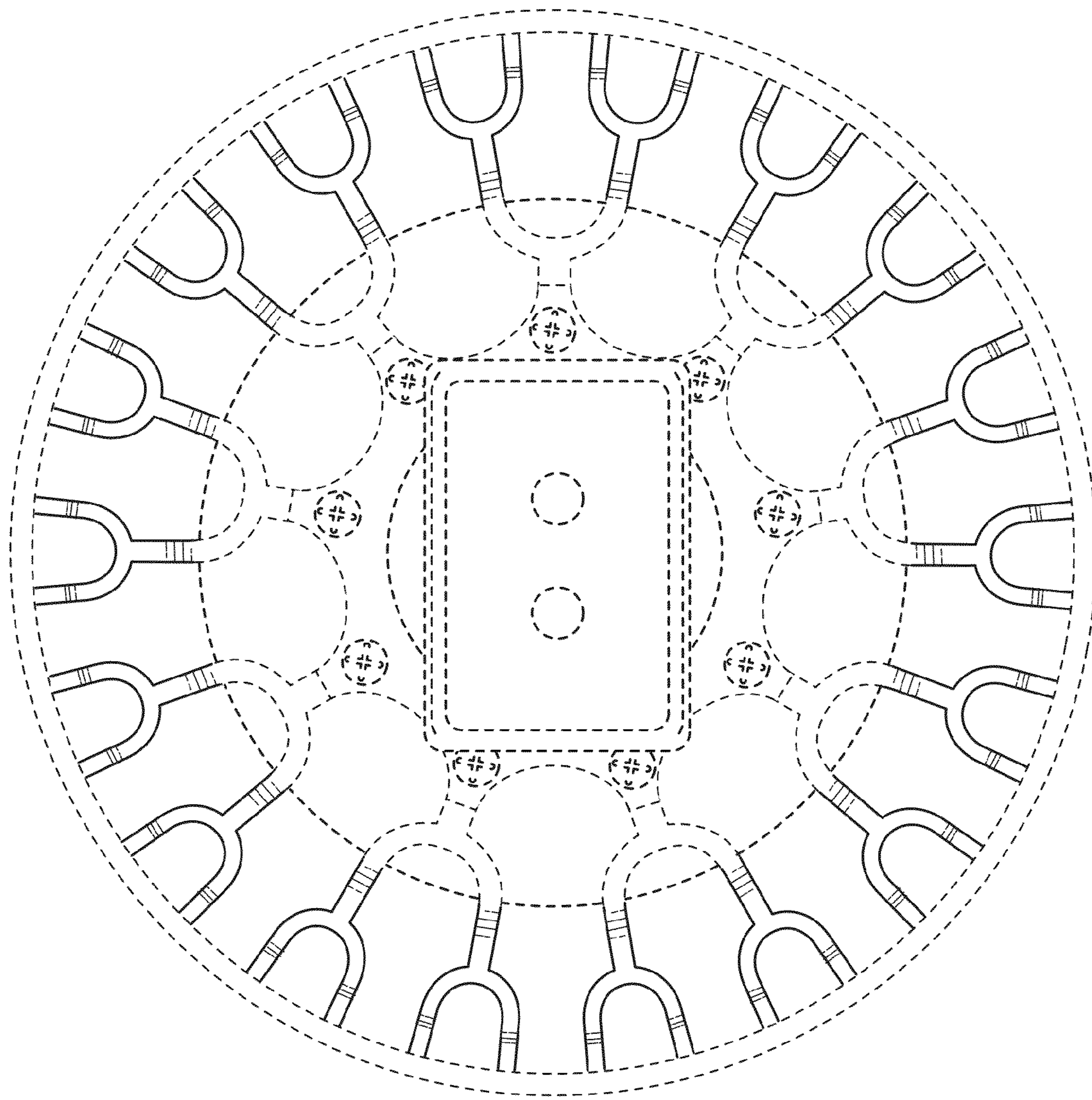


FIG. 7