



US00D728489S

(12) **United States Design Patent**
Eriksen et al.

(10) **Patent No.:** **US D728,489 S**

(45) **Date of Patent:** **** May 5, 2015**

(54) **REMOTE CONTROL**

(75) Inventors: **Carsten Eriksen, Aabyhøj (DK); Lone Ejbæk Meyer, Tarm (DK)**

(73) Assignee: **VKR Holding A/S (DK)**

(**) Term: **14 Years**

(21) Appl. No.: **29/427,145**

(22) Filed: **Jul. 13, 2012**

(30) **Foreign Application Priority Data**

Jan. 16, 2012 (EM) 001975863

(51) **LOC (10) Cl.** **13-03**

(52) **U.S. Cl.**
USPC **D13/168**

(58) **Field of Classification Search**
USPC D13/168; D14/218; 341/176; 345/169;
340/4.3, 4.42, 12.22, 12.23, 12.24,
340/12.29, 12.3, 12.55, 13.2, 13.21, 13.24;
700/17, 65, 83
See application file for complete search history.

(56) **References Cited**

U.S. PATENT DOCUMENTS

D343,387 S * 1/1994 Keene D13/168
D526,973 S * 8/2006 Gates et al. D13/184
D541,228 S * 4/2007 Thursfield D13/168
D546,295 S * 7/2007 Marchetto et al. D13/168
D546,780 S * 7/2007 Marchetto et al. D13/168

D548,196 S * 8/2007 Bonnaud D13/168
D583,776 S * 12/2008 Lacour et al. D13/168
D598,009 S * 8/2009 Painter D14/218
D614,145 S * 4/2010 Arosio D13/168
D627,306 S * 11/2010 Charleux D13/168
D632,265 S * 2/2011 Choi et al. D13/168
D664,932 S * 8/2012 Sedic D13/168
D665,757 S * 8/2012 Seidl et al. D13/168
D673,512 S * 1/2013 Huang D13/168
D700,904 S * 3/2014 Miller et al. D14/218
D701,496 S * 3/2014 Namminga D13/168
2007/0073423 A1* 3/2007 Jeong 700/65

* cited by examiner

Primary Examiner — Selina Sikder

(74) *Attorney, Agent, or Firm* — Merek, Blackmon & Voorhees, LLC

(57) **CLAIM**

The ornamental design for a remote control, as shown and described.

DESCRIPTION

FIG. 1 is a front elevation of a remote control showing the design;

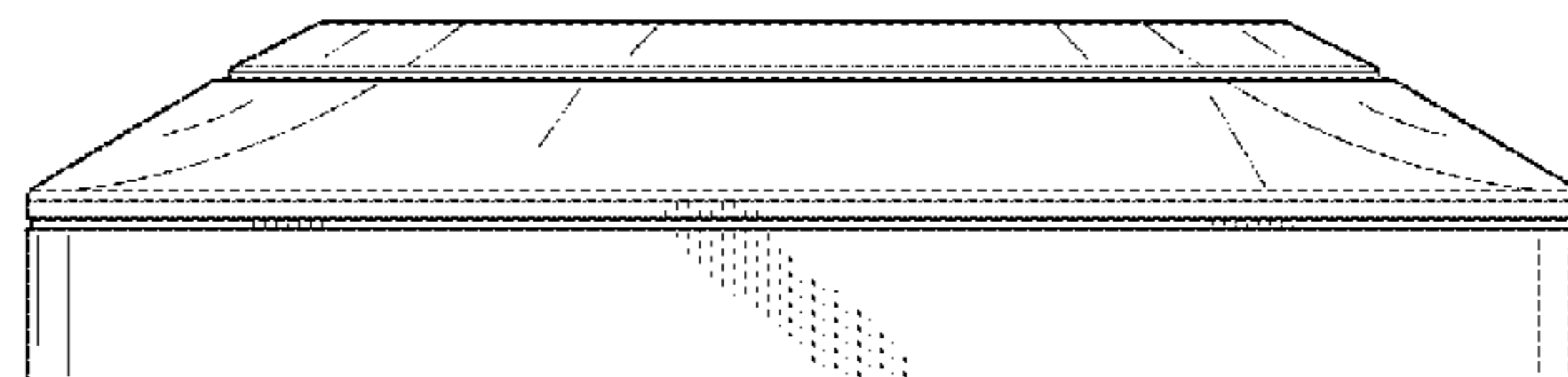
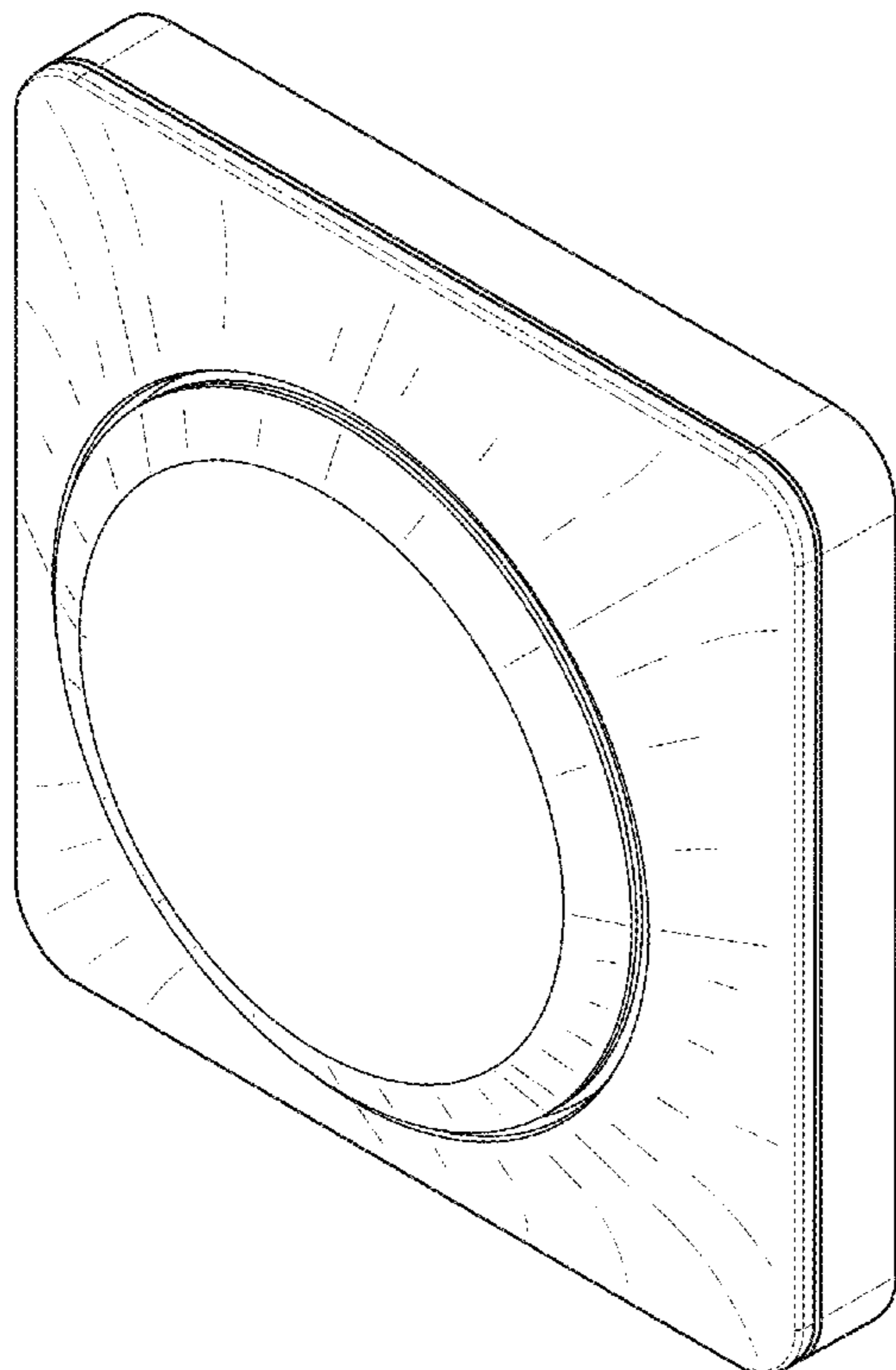
FIG. 2 is a perspective view taken from the front, top and right side of the remote control of FIG. 1;

FIG. 3 is a perspective view taken from the back, top and left side of the remote control of FIG. 1; and

FIG. 4 is a rear elevation of the remote control of FIG. 1; and, FIG. 5 is a side elevation of the remote control of FIG. 1.

The bottom of the remote control of FIG. 1 is a mirror image of the top.

1 Claim, 5 Drawing Sheets



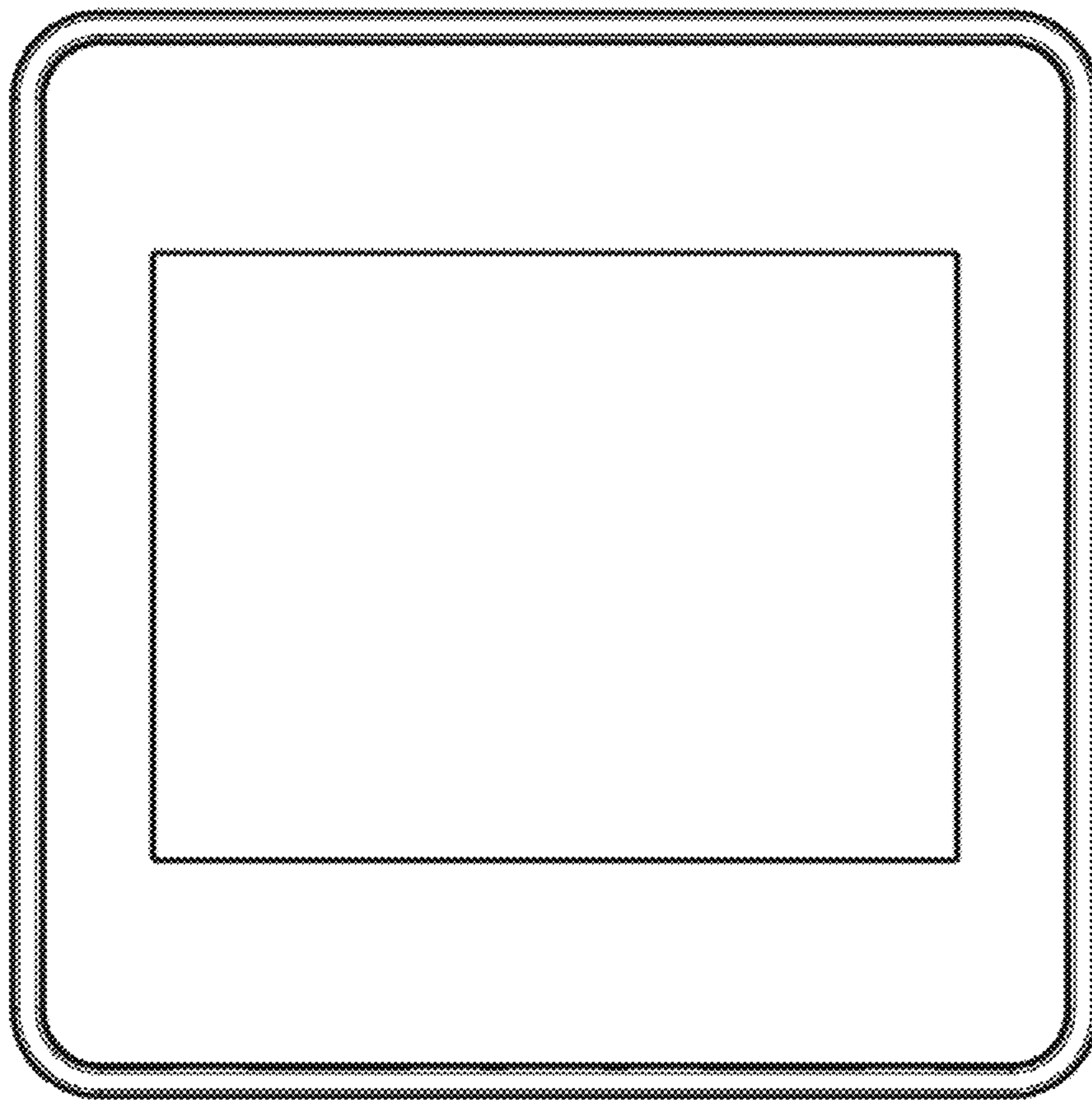


FIG. 1

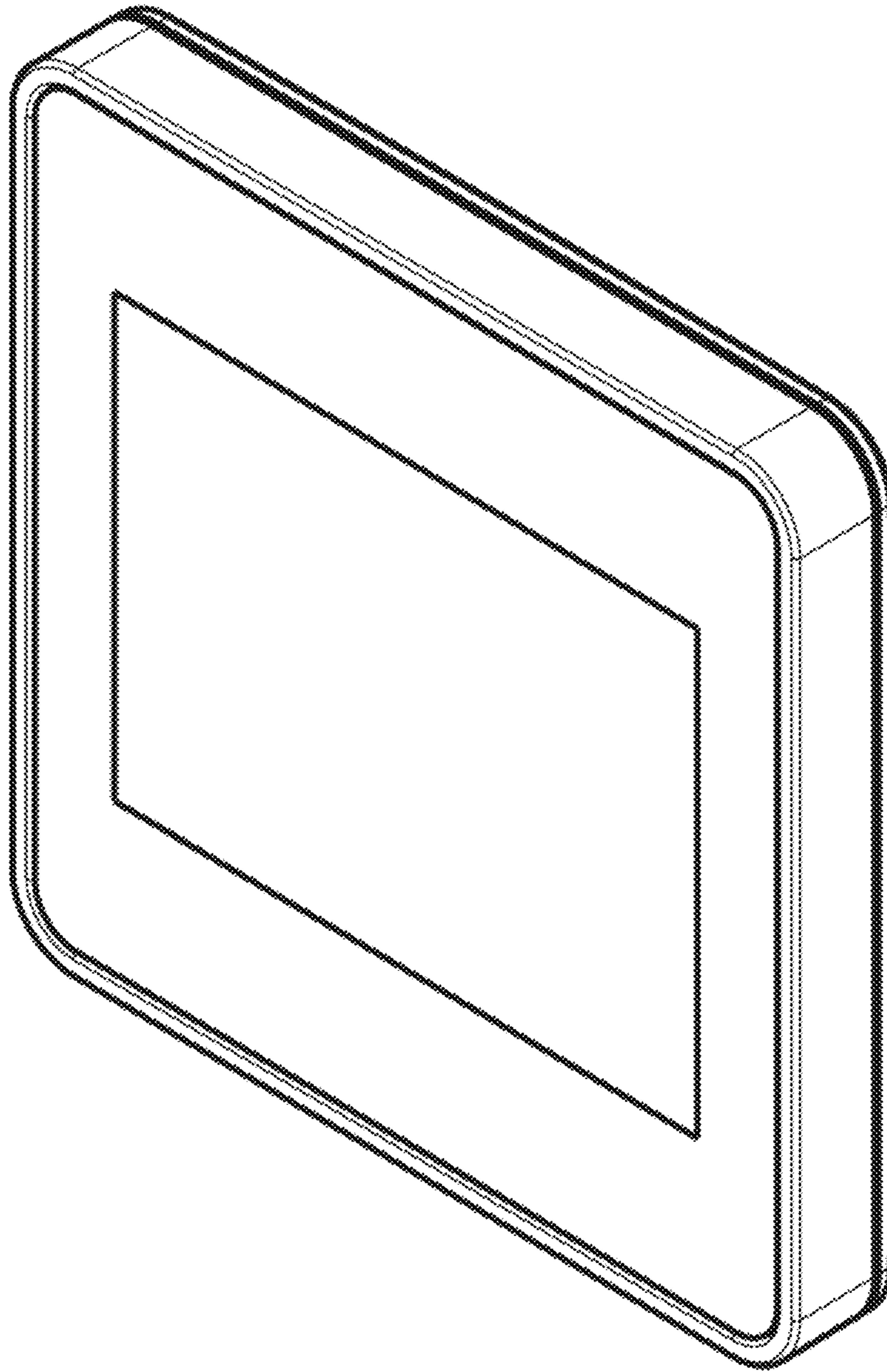


FIG. 2

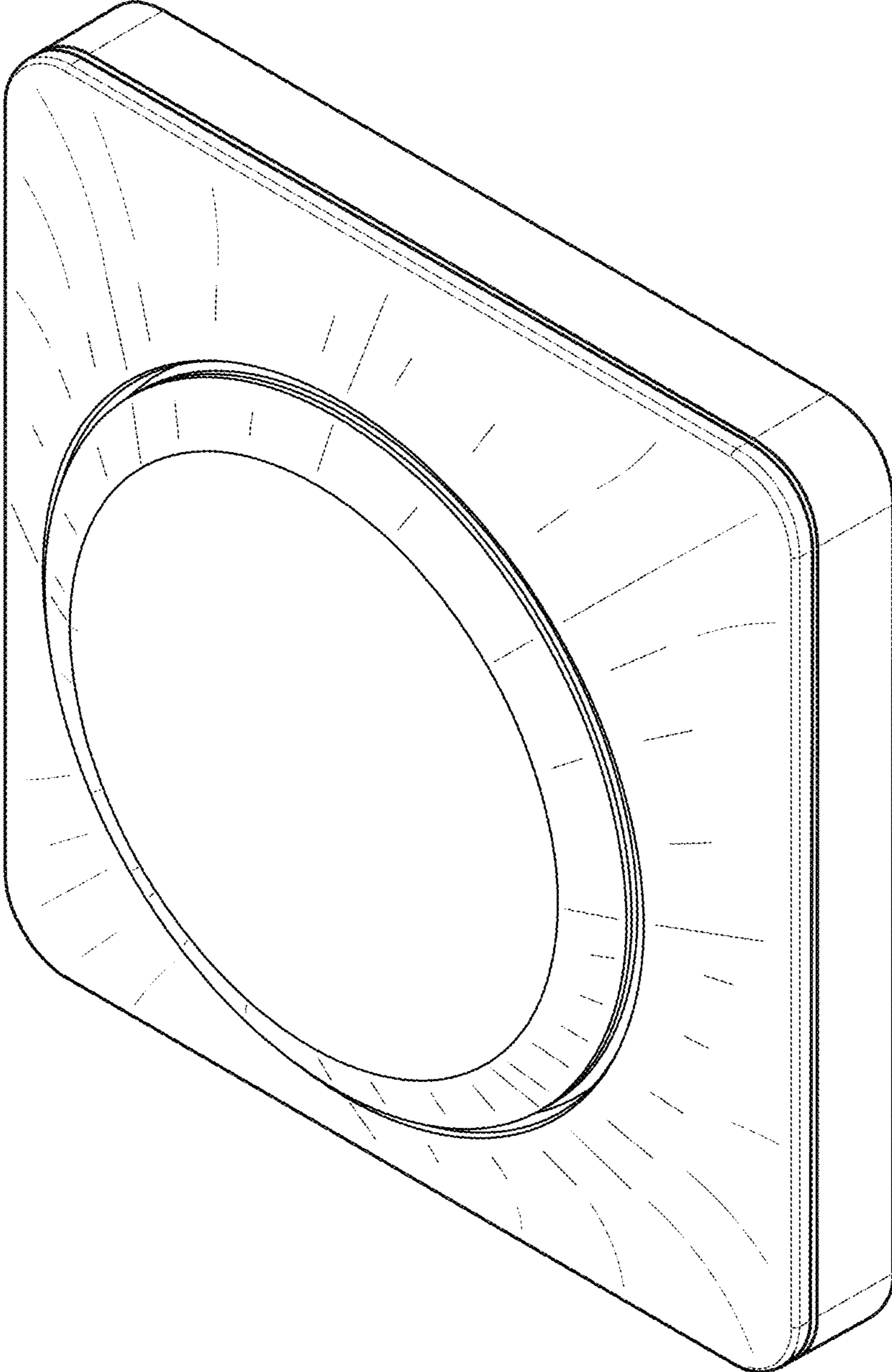


FIG. 3

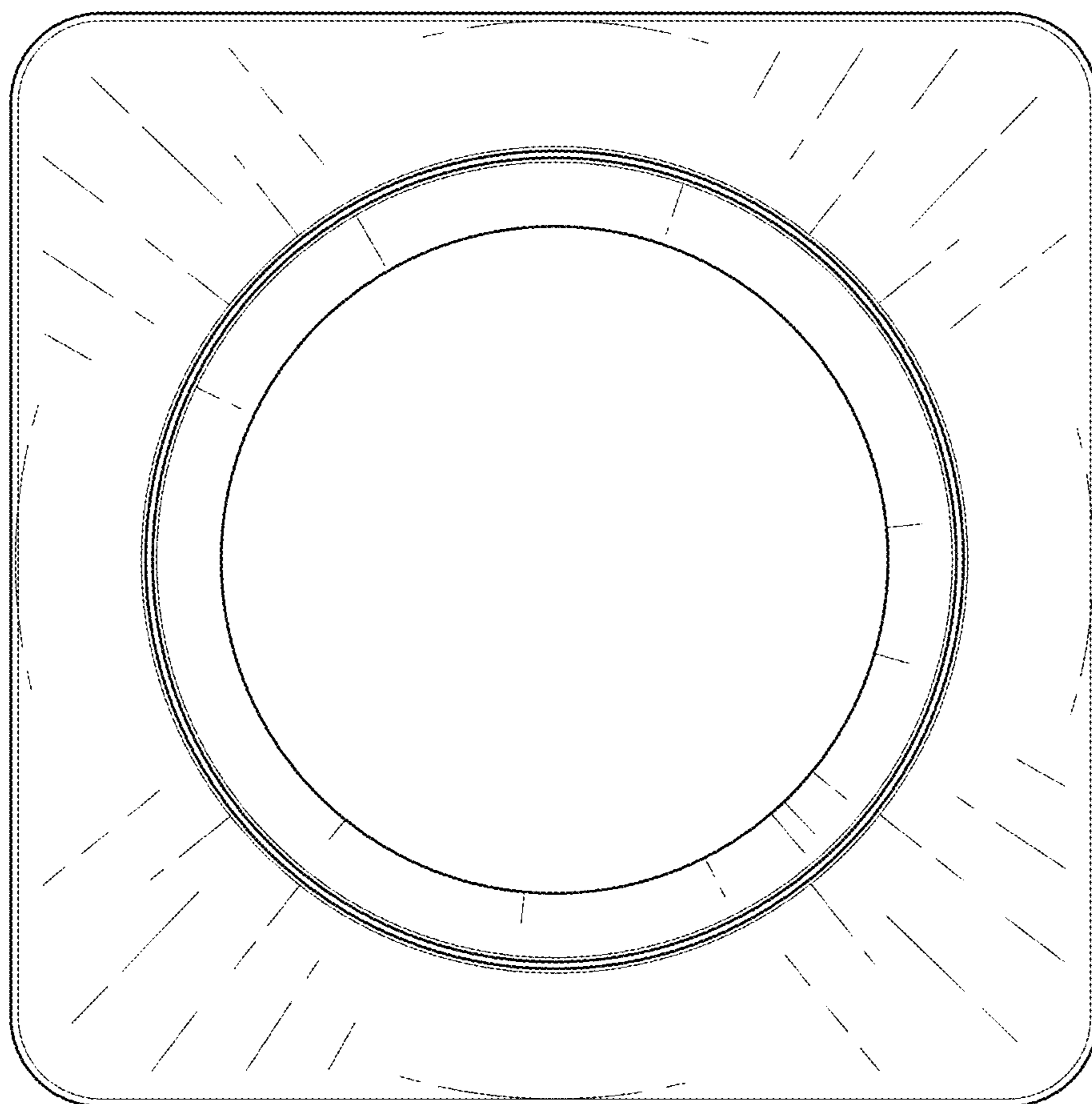


FIG. 4

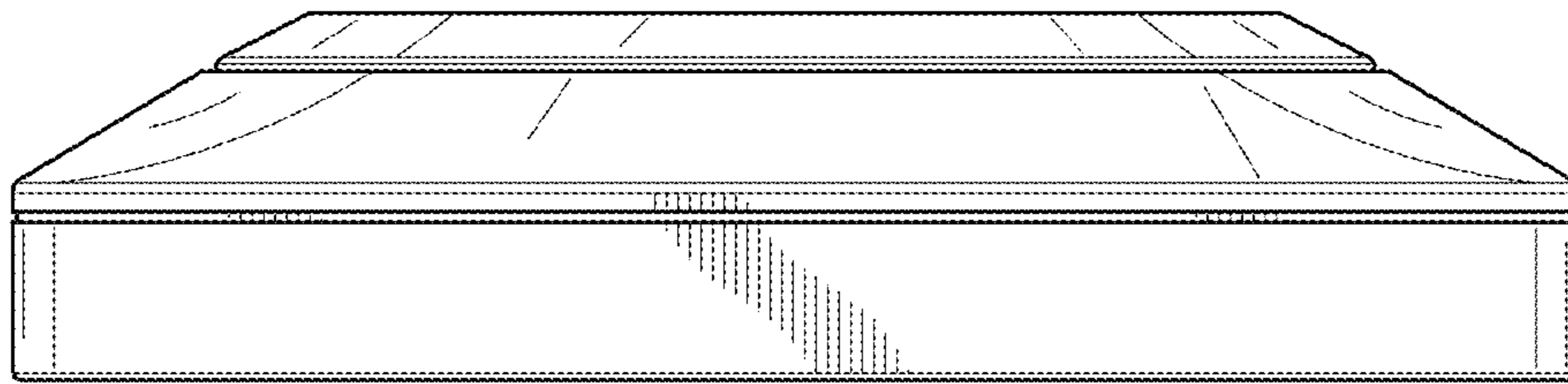


FIG. 5