



US00D728488S

(12) **United States Design Patent**
Ishikawa et al.

(10) **Patent No.:** **US D728,488 S**
(45) **Date of Patent:** **** May 5, 2015**

(54) **RELAY SOCKET**

(56) **References Cited**

(71) Applicant: **OMRON Corporation**, Kyoto-shi,
Kyoto (JP)

U.S. PATENT DOCUMENTS

(72) Inventors: **Yoshihisa Ishikawa**, Shiga (JP); **Takeshi Miyasaka**, Shiga (JP); **Yohei Tsukanaka**, Shiga (JP)

D222,470	S	*	10/1971	Fujita et al.	D13/147
3,643,210	A	*	2/1972	Fujita	439/687
3,702,457	A	*	11/1972	Fujita	439/687
3,845,460	A	*	10/1974	Fujita et al.	439/687
D471,158	S	*	3/2003	Yano et al.	D13/147
D472,878	S	*	4/2003	Kitamura	D13/147
7,553,199	B2	*	6/2009	Correll	439/715
D634,713	S	*	3/2011	Giordanino et al.	D13/159
D638,371	S	*	5/2011	Giordanino et al.	D13/159
D700,898	S	*	3/2014	Min et al.	D13/159
D701,176	S	*	3/2014	Min et al.	D13/159

(73) Assignee: **OMRON Corporation**, Kyoto (JP)

(**) Term: **14 Years**

(21) Appl. No.: **29/485,820**

(Continued)

(22) Filed: **Mar. 24, 2014**

FOREIGN PATENT DOCUMENTS

(30) **Foreign Application Priority Data**

JP	2003-346939	12/2003
JP	D1255870	11/2005
JP	D1255952	11/2005

Sep. 26, 2013 (JP) 2013-022362
Sep. 26, 2013 (JP) 2013-022363

(Continued)

(51) **LOC (10) Cl.** **13-03**

Primary Examiner — Thomas Johannes

(52) **U.S. Cl.**
USPC **D13/159**

Assistant Examiner — Shawn T Gingrich

(58) **Field of Classification Search**

(74) *Attorney, Agent, or Firm* — Harness, Dickey & Pierce, P.L.C.

CPC G01R 31/025; G01R 19/145; H01H 71/08;
H01H 71/04; H01H 83/226; H01H 9/283;
H01H 2071/0278; H01H 71/0271; H01H
71/1045; H01H 71/1054; H01H 71/12;
H01H 71/123; H01H 71/16; H01H 83/04;
H01H 9/0264; H01H 9/342; H01R 4/36;
H01R 13/447; H01R 13/641; H01R 9/18;
H01R 13/514; H01R 13/639; H01R 33/765;
H01R 33/7664; H01R 43/20; H02B 11/133;
Y02B 70/3241; Y02B 90/224; Y02E 10/725;
Y04S 20/14; Y04S 20/227
USPC D13/101, 110, 123, 133, 158–162,
D13/182–184, 199; 361/42, 44, 50, 71, 115,
361/608, 634; 200/43.14, 50.01,
200/50.21–50.23, 293

(57) **CLAIM**

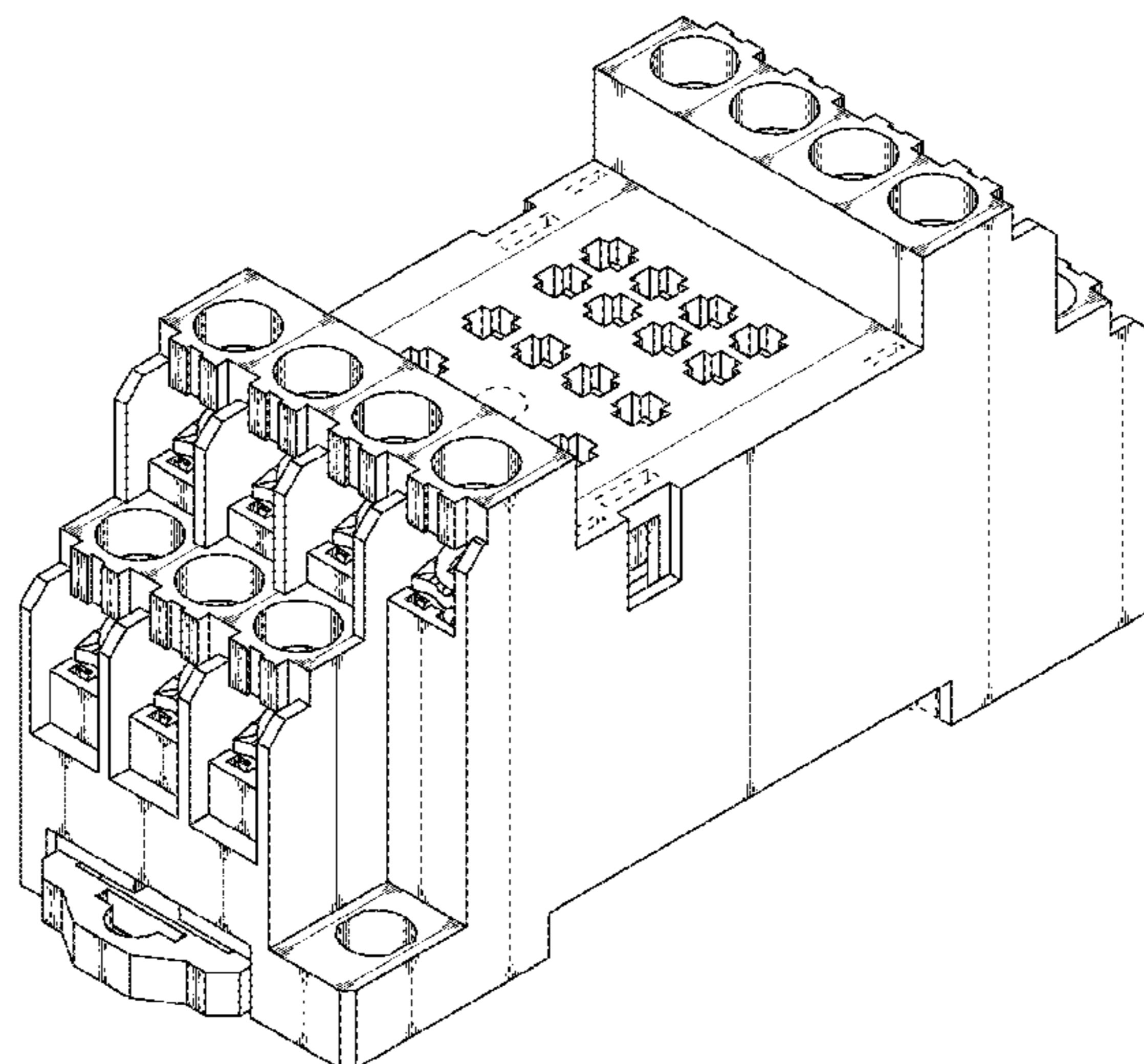
The ornamental design for a relay socket, as shown and described.

DESCRIPTION

FIG. 1 is a perspective view of a relay socket showing a first embodiment of our new design;
FIG. 2 is a front elevational view thereof;
FIG. 3 is a rear elevational view thereof;
FIG. 4 is a left side view thereof;
FIG. 5 is a right side view thereof;
FIG. 6 is a top plan view thereof; and,
FIG. 7 is a bottom plan view thereof.
The broken lines depict unclaimed environmental subject matter only and form no part of the claimed design.

See application file for complete search history.

1 Claim, 4 Drawing Sheets



(56)

References Cited

FOREIGN PATENT DOCUMENTS

U.S. PATENT DOCUMENTS

2002/0132504 A1* 9/2002 Mori et al. 439/160
2007/0093121 A1* 4/2007 Helmreich 439/495

JP D1255953 11/2005
JP D1255954 11/2005

* cited by examiner

Fig. 1

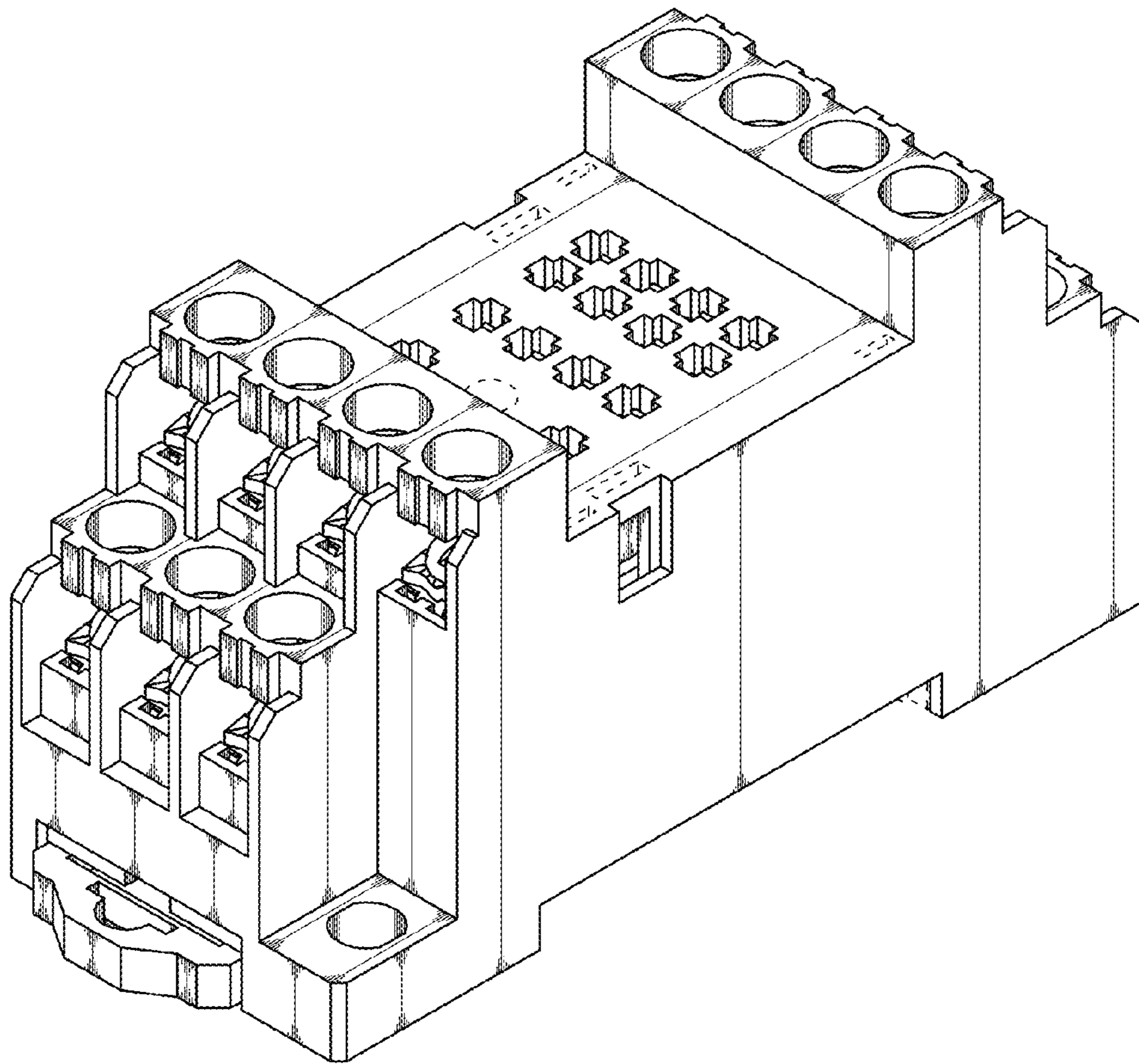


Fig. 2

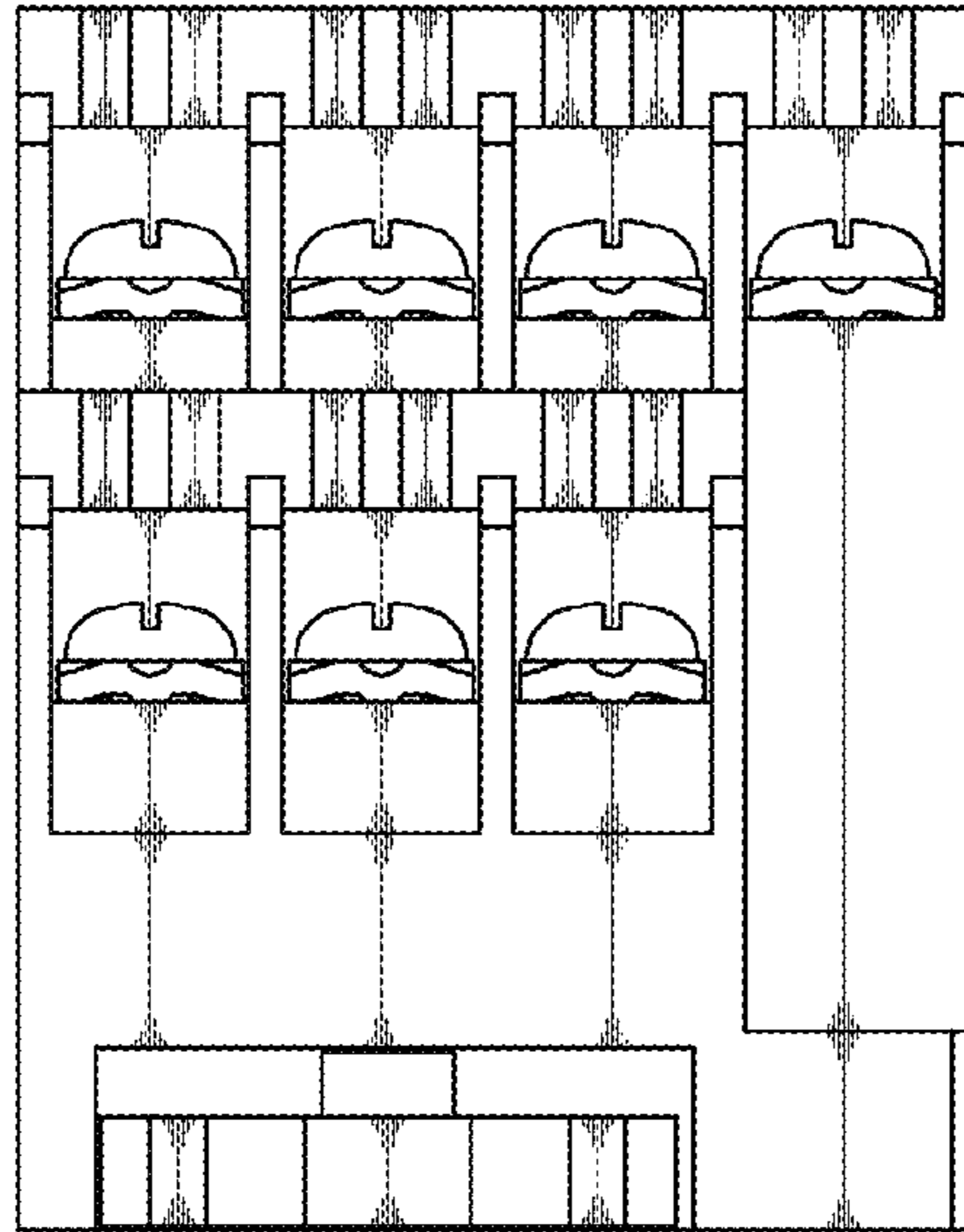


Fig. 3

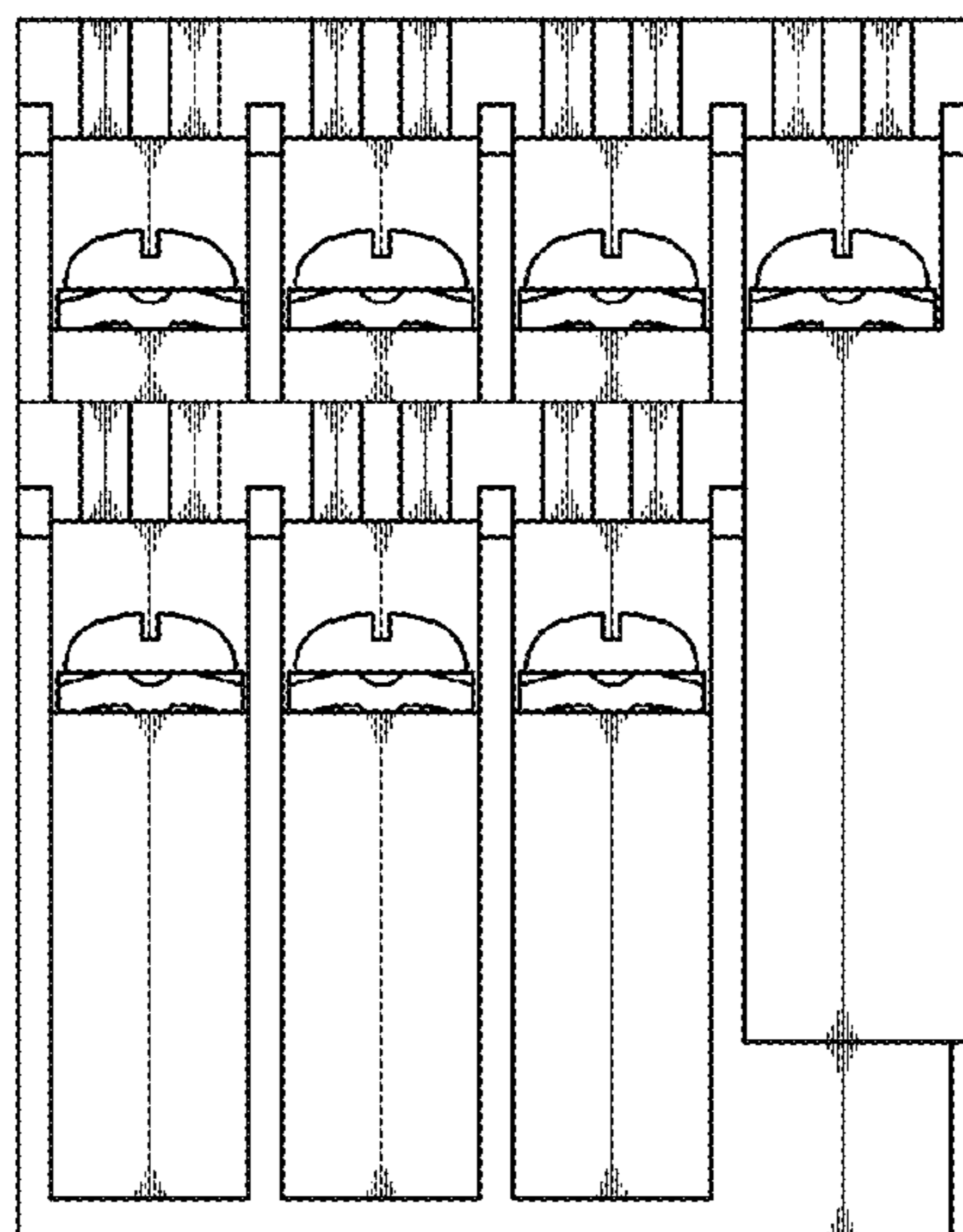


Fig. 4

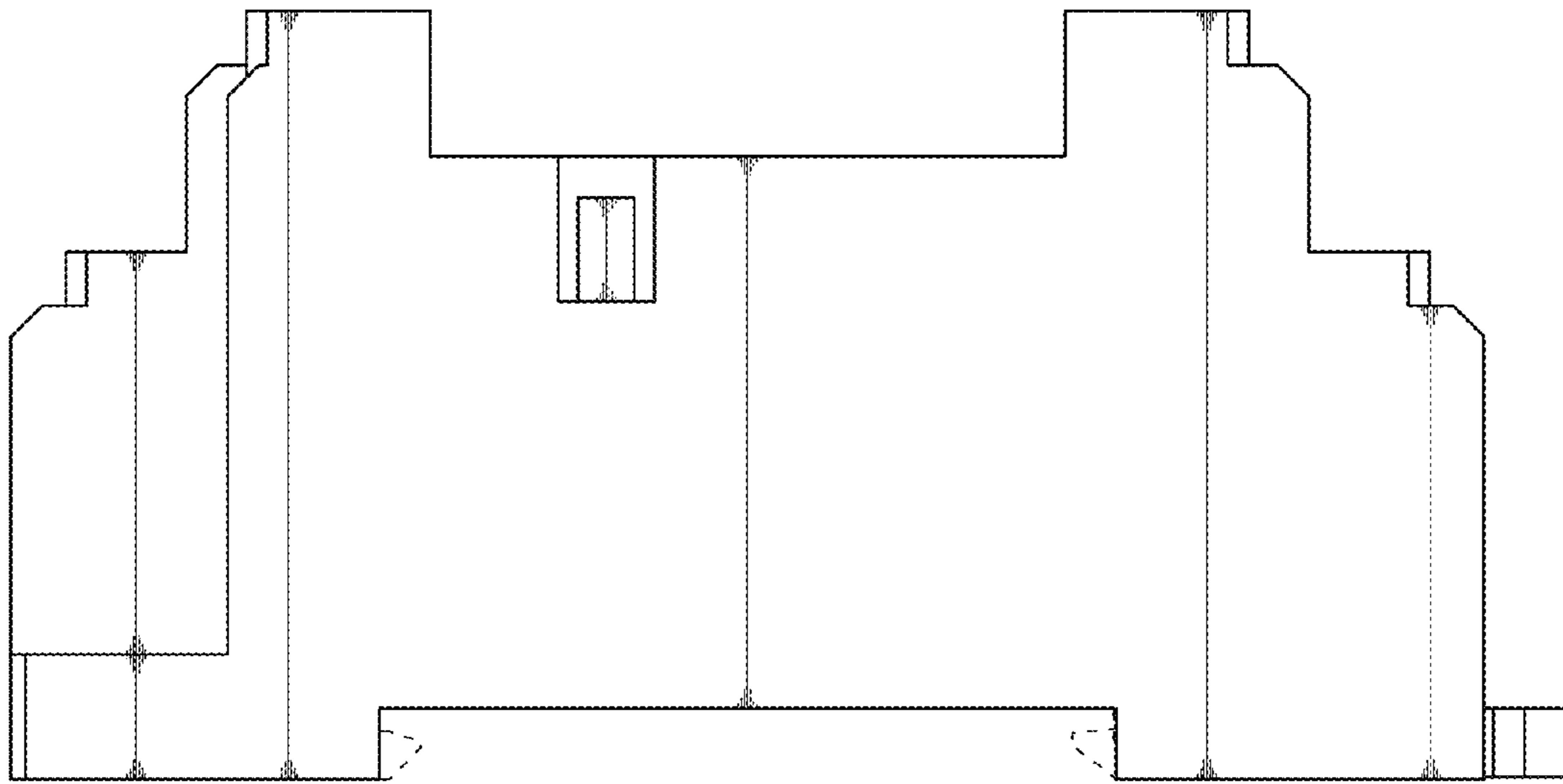


Fig. 5

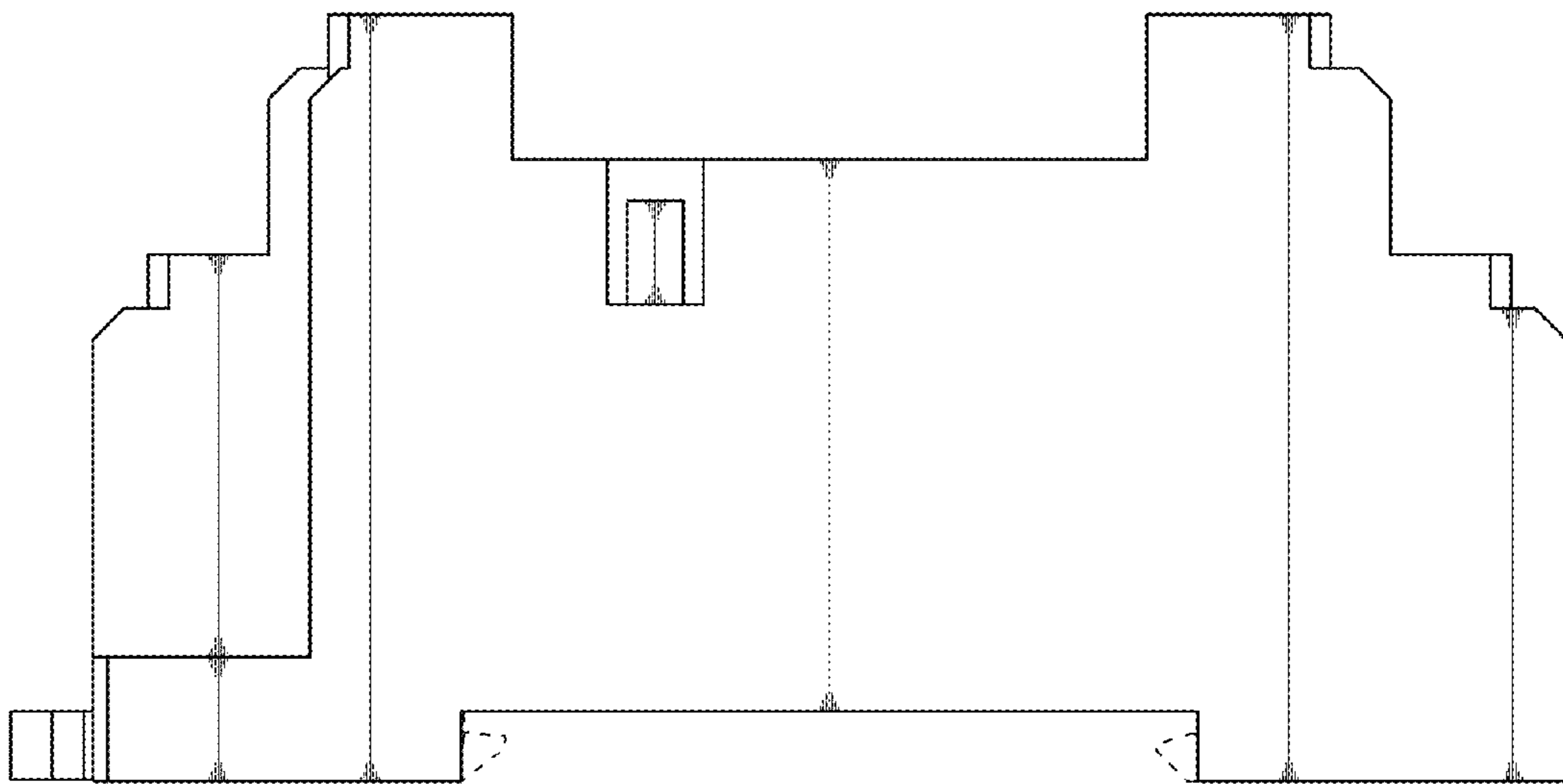


Fig. 6

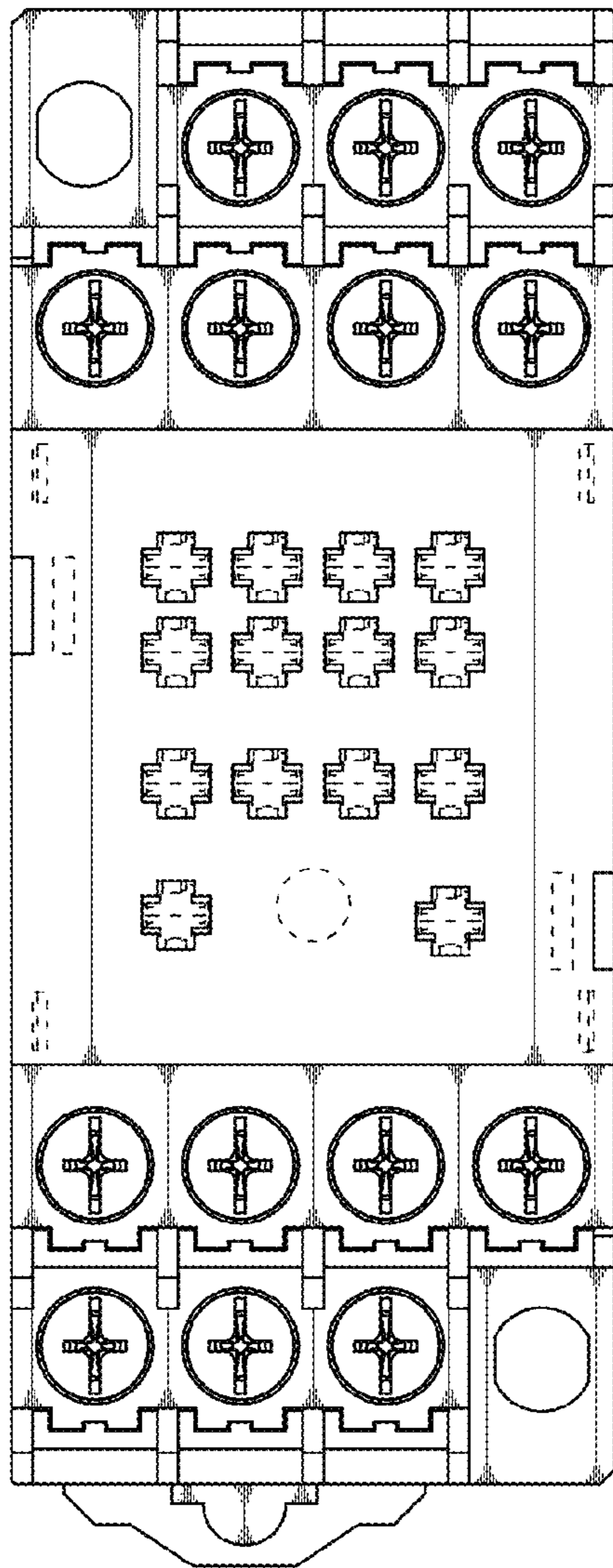


Fig. 7

