



US00D728487S

(12) **United States Design Patent**  
**Chen et al.**

(10) **Patent No.:** **US D728,487 S**

(45) **Date of Patent:** **\*\* May 5, 2015**

(54) **ELECTRICAL CONNECTOR TERMINAL FOR AN ANTENNA**

439/850–852, 857, 862, 865–867, 870, 877,  
439/884–891, 892, 894

See application file for complete search history.

(71) Applicant: **Advanced-Connectek Inc.**, New Taipei (TW)

(56) **References Cited**

(72) Inventors: **Ching-Tien Chen**, New Taipei (TW);  
**Shu-Lin Duan**, New Taipei (TW); **Wei Wan**, New Taipei (TW); **Xiao-Juan Qi**, New Taipei (TW)

U.S. PATENT DOCUMENTS

D555,095	S	*	11/2007	Ho	.....	D13/133
D645,410	S	*	9/2011	Liu et al.	.....	D13/154
D660,249	S	*	5/2012	Chen et al.	.....	D13/154
8,298,021	B2	*	10/2012	Huang et al.	.....	439/862
D721,042	S	*	1/2015	Sasano et al.	.....	D13/154

(73) Assignee: **Advanced-Connectek Inc.**, New Taipei (TW)

\* cited by examiner

(\*\*) Term: **14 Years**

*Primary Examiner* — Daniel Bui

(21) Appl. No.: **29/503,269**

(74) *Attorney, Agent, or Firm* — WPAT, P.C.; Anthony King

(22) Filed: **Sep. 24, 2014**

(57) **CLAIM**

The ornamental design for an electrical connector terminal for an antenna, as shown.

(30) **Foreign Application Priority Data**

Apr. 9, 2014 (TW) ..... 103304442

(51) **LOC (10) Cl.** ..... **13-03**

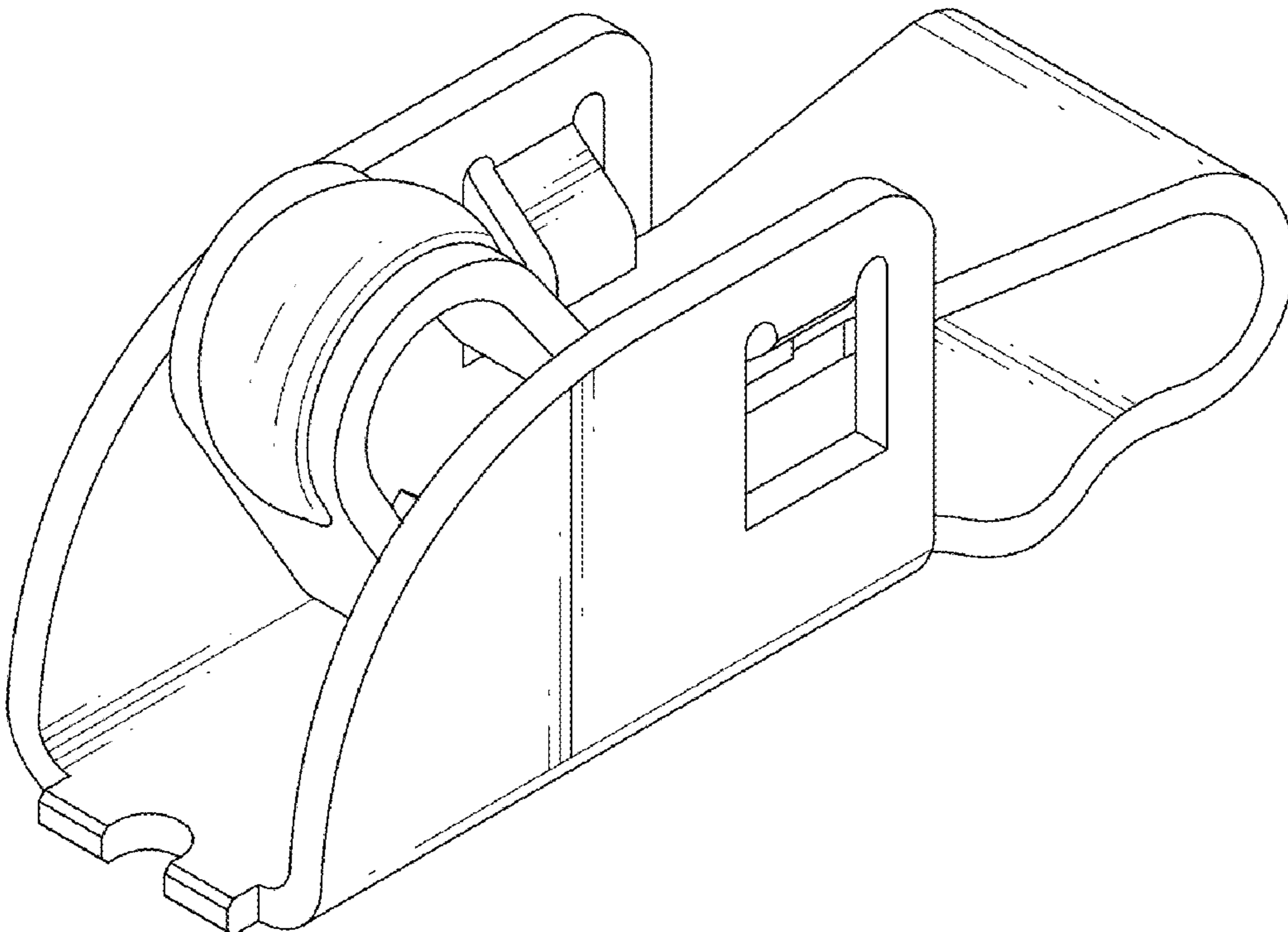
(52) **U.S. Cl.**  
USPC ..... **D13/154**

(58) **Field of Classification Search**  
USPC ..... D13/147, 154, 184, 199; 439/601.01,  
439/601.02, 601.03, 601.04, 601.45,  
439/601.49, 601.58, 688, 844, 849,

**DESCRIPTION**

FIG. 1 is a perspective view of an electrical connector terminal for an antenna showing our new design;  
FIG. 2 is a front view thereof;  
FIG. 3 is a rear view thereof;  
FIG. 4 is a left side view thereof;  
FIG. 5 is a right side view thereof;  
FIG. 6 is a top view thereof; and,  
FIG. 7 is a bottom view thereof.

**1 Claim, 7 Drawing Sheets**



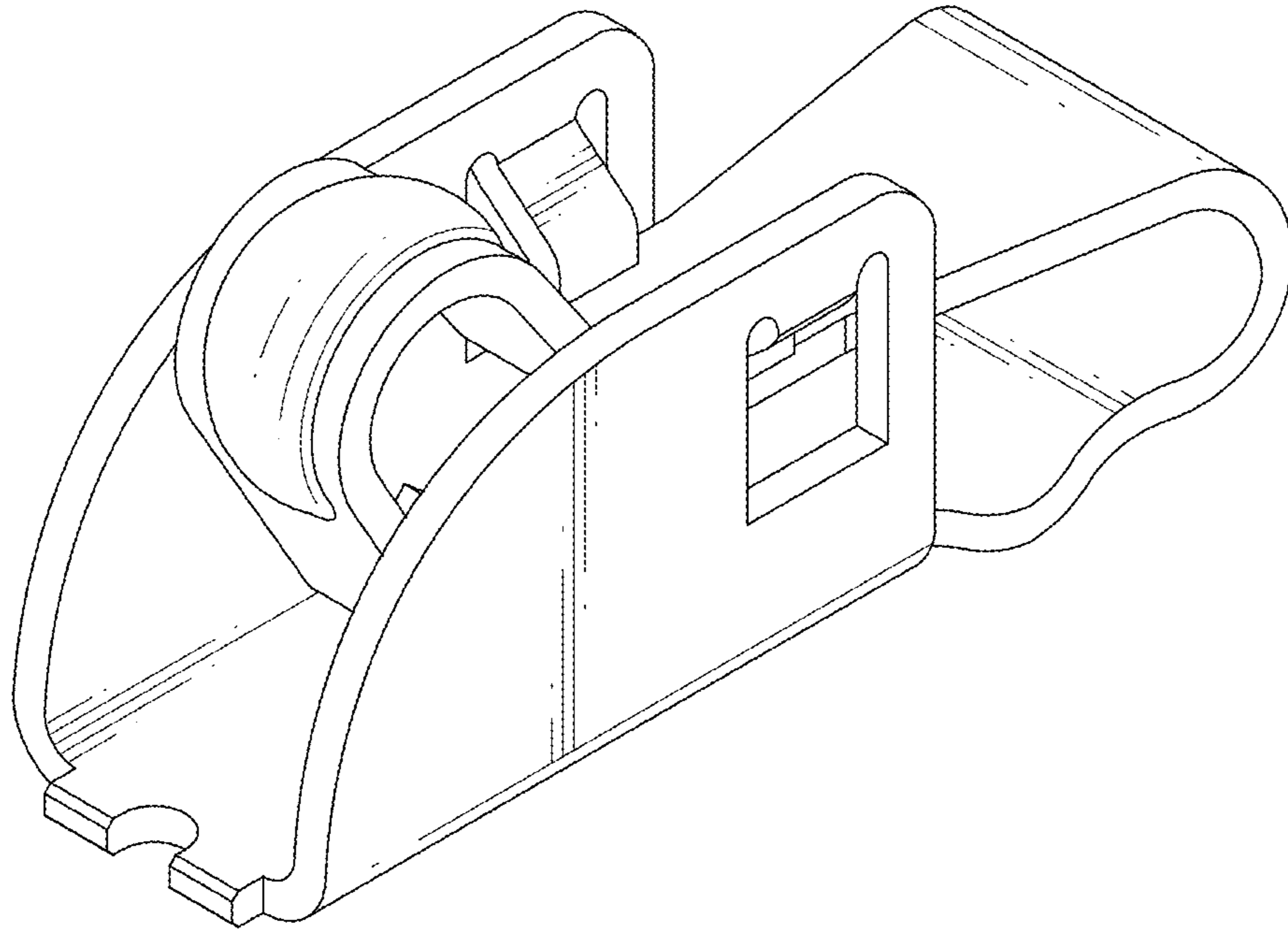


FIG.1

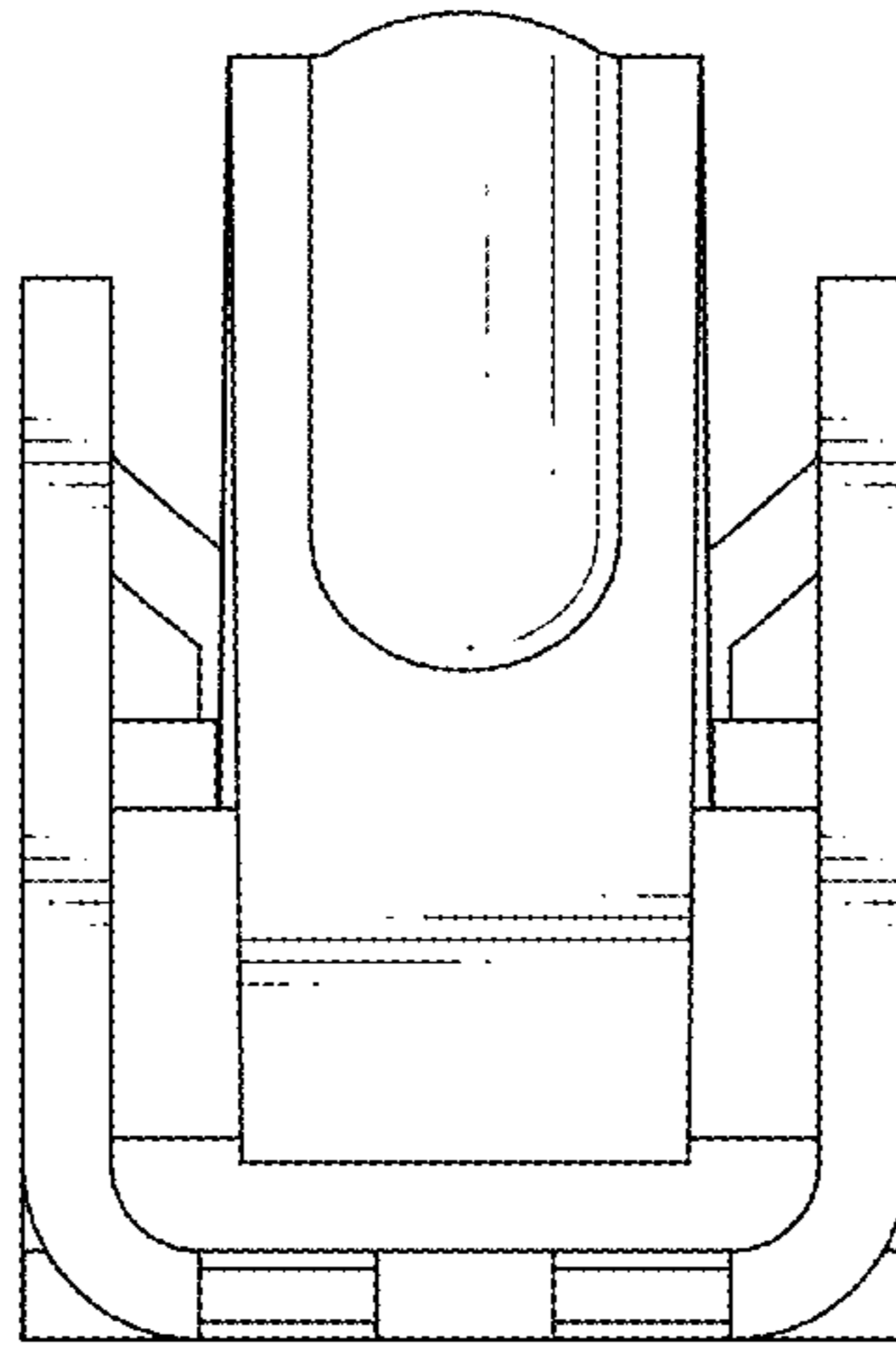


FIG.2

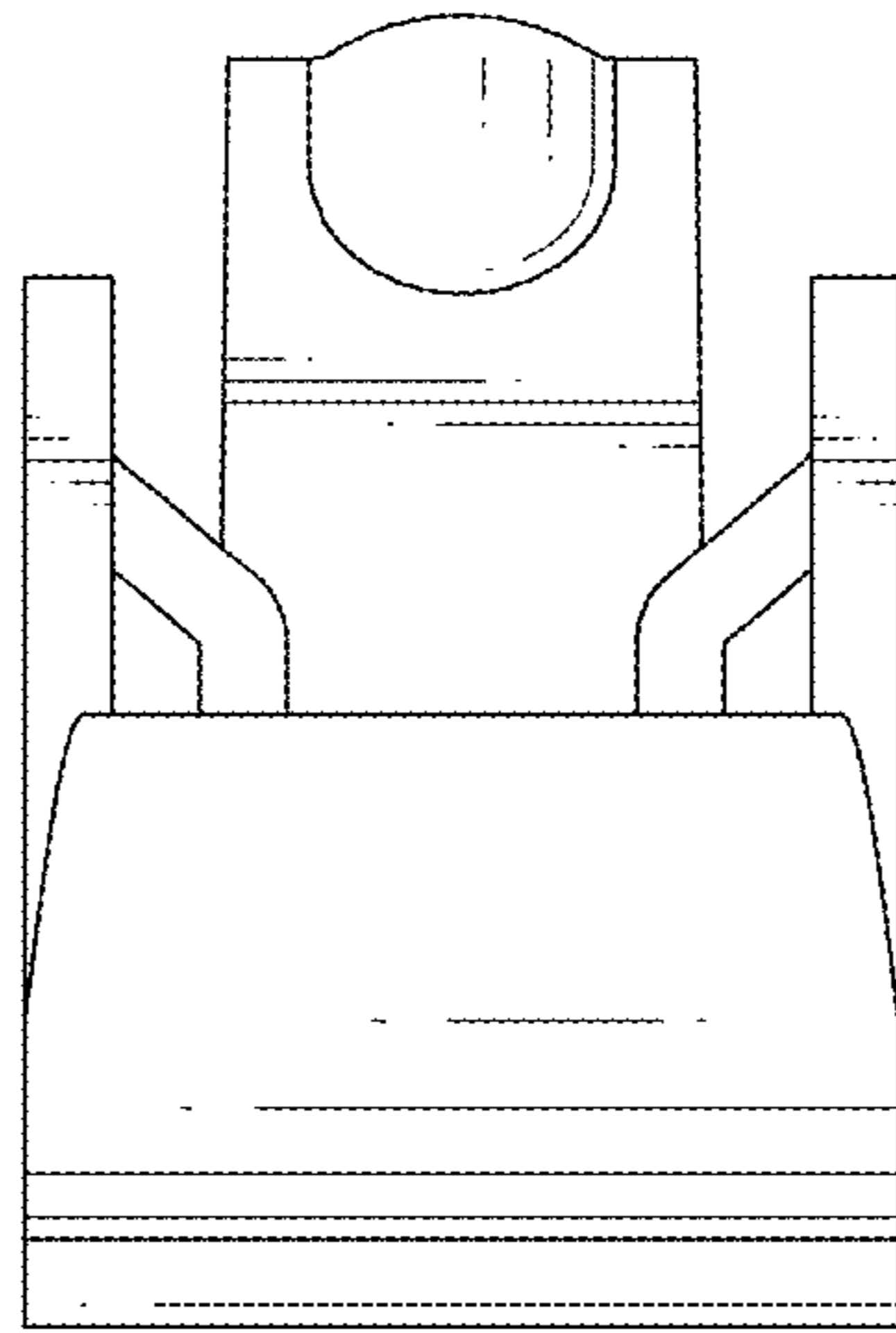


FIG.3

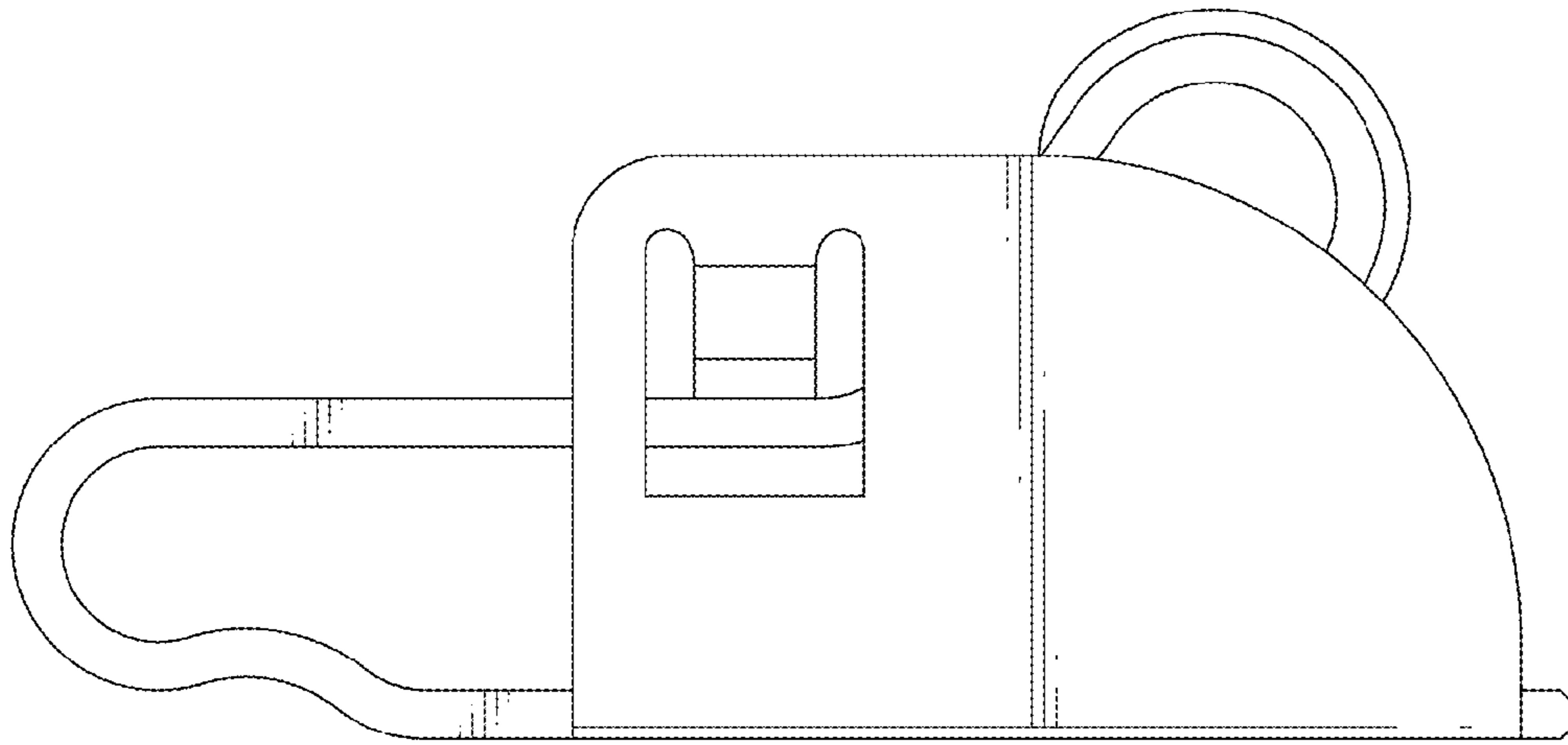


FIG.4

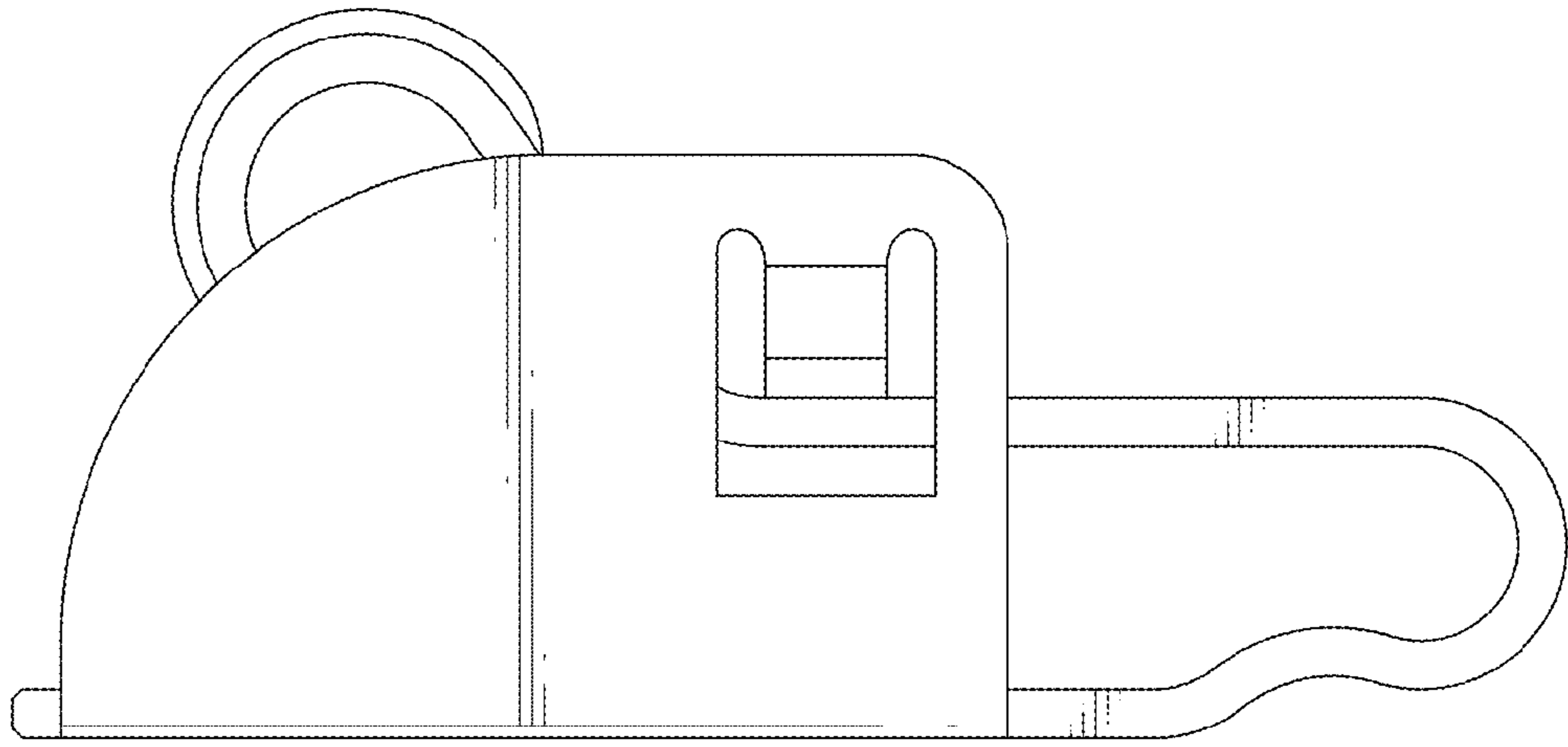


FIG.5

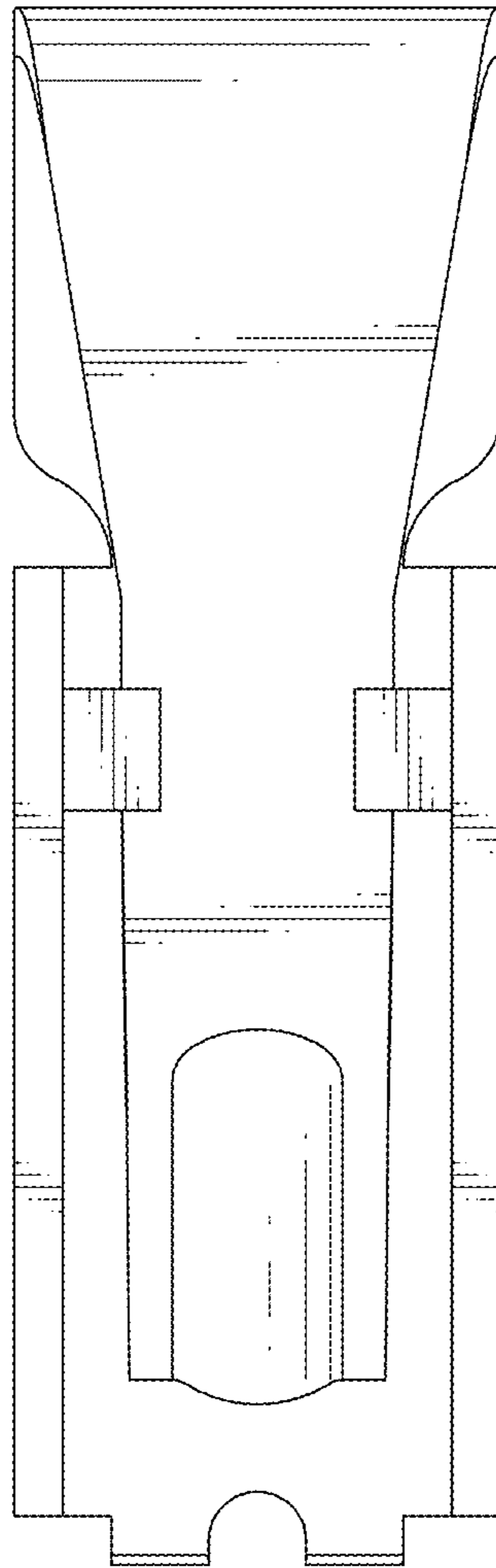


FIG.6

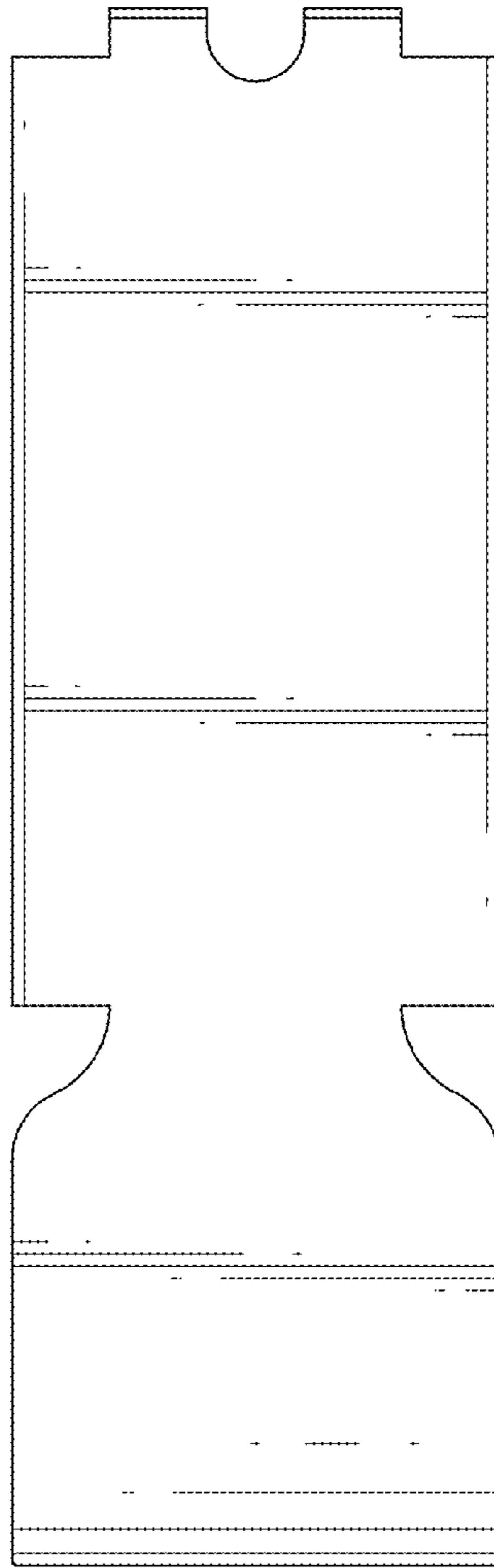


FIG.7