



US00D728485S

(12) **United States Design Patent**  
**Rostami**

(10) **Patent No.:** **US D728,485 S**

(45) **Date of Patent:** **\*\* \*May 5, 2015**

(54) **POWER CONNECTOR CABLE**

(71) Applicant: **Ramin Rostami**, Calabasas, CA (US)

(72) Inventor: **Ramin Rostami**, Calabasas, CA (US)

(\* ) Notice: This patent is subject to a terminal disclaimer.

(\*\*) Term: **14 Years**

(21) Appl. No.: **29/433,082**

(22) Filed: **Sep. 25, 2012**

(51) **LOC (10) Cl.** ..... **13-03**

(52) **U.S. Cl.**  
USPC ..... **D13/153**

(58) **Field of Classification Search**

CPC .... H01R 25/006; H01R 13/7036; H02G 3/14;  
F21S 4/001

USPC ..... D13/137.1-137.4, 147, 153,  
D13/139.6-139.9, 184, 152; D1/102, 121,  
D1/127, 199; D2/627, 640, 626, 838, 843,  
D2/894, 943, 835; 174/66; 200/51.09,  
200/51.11; 439/107, 650, 651, 652, 682,  
439/692

See application file for complete search history.

(56) **References Cited**

**U.S. PATENT DOCUMENTS**

D45,580 S \* 4/1914 Ziegler ..... D2/627  
D312,347 S \* 11/1990 Brown et al. .... D2/626  
5,180,321 A \* 1/1993 Brown ..... 441/94  
D419,527 S \* 1/2000 Hwang ..... D13/154

D436,927 S \* 1/2001 Hogan ..... D13/153  
D481,851 S \* 11/2003 Greaige ..... D2/624  
D558,427 S \* 1/2008 Solin ..... D2/627  
D621,362 S \* 8/2010 Huang et al. .... D13/147  
D675,573 S \* 2/2013 Farris-Gilbert et al. .... D13/147  
D699,916 S \* 2/2014 Rodgers et al. .... D1/127  
2013/0183852 A1 \* 7/2013 Rostami, Ramin ..... 439/502

\* cited by examiner

*Primary Examiner* — Holly Baynham

*Assistant Examiner* — Rhea Shields

(74) *Attorney, Agent, or Firm* — Merle W. Richman, Esq.

(57) **CLAIM**

The ornamental design for a power connector cable, as shown and described.

**DESCRIPTION**

FIG. 1 is a perspective view of the power connector cable showing our new design;

FIG. 2 is an enlarged perspective view of the power connector cable shown broken in the middle for ease of illustration;

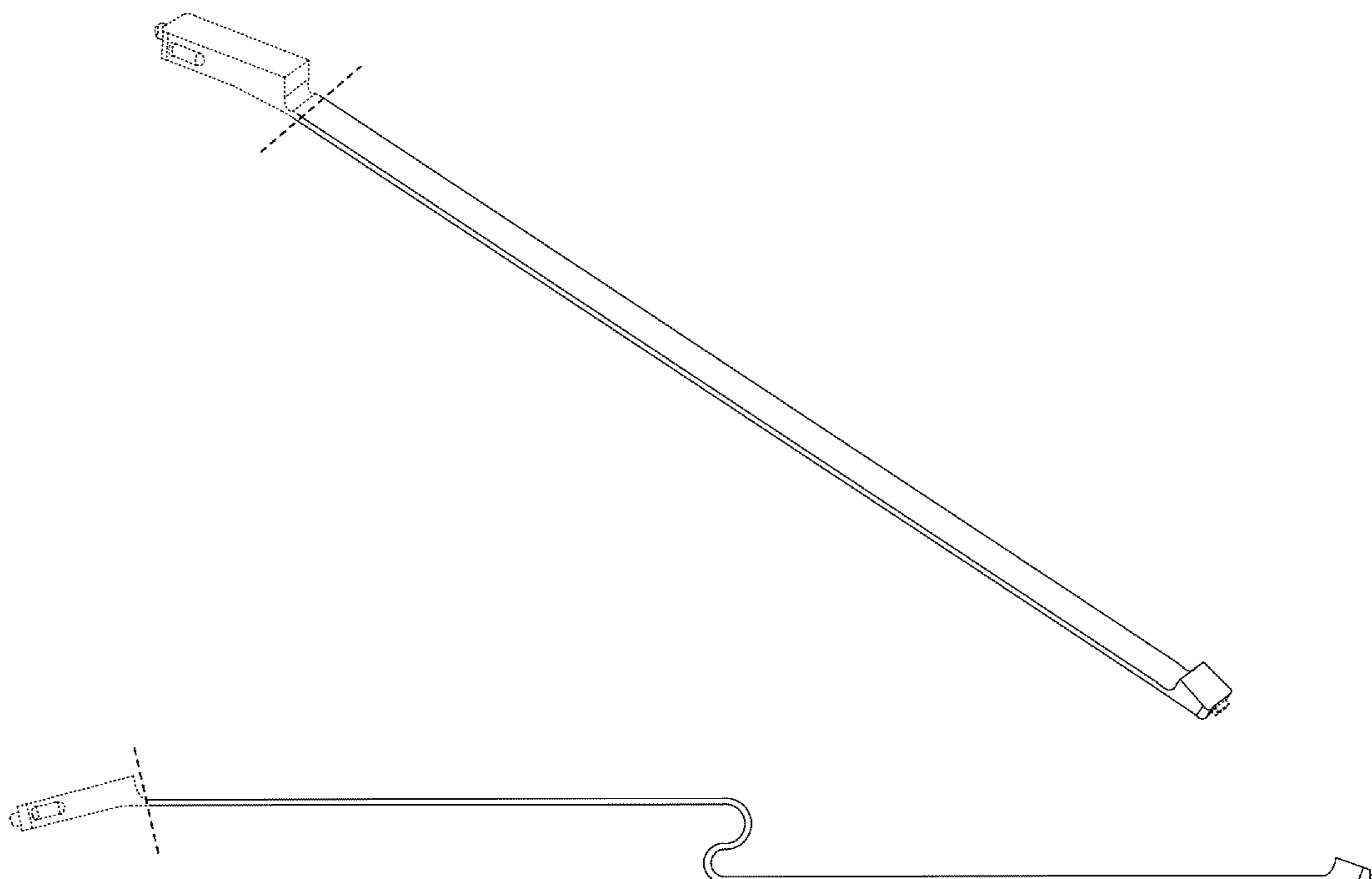
FIG. 3 is a top view thereof, the bottom a mirror image thereof;

FIG. 4 is a right side view thereof, the left side a mirror image thereof; and,

FIG. 5 is a partially folded right side view thereof.

In FIG. 2 the Power Connector Cable is shown with a symbolic break in its length. The appearance of any portion of the article between the break lines forms no part of the claimed design. In the drawings, the broken lines are for the purposes of illustrating environmental only and form no part of the claimed design.

**1 Claim, 2 Drawing Sheets**



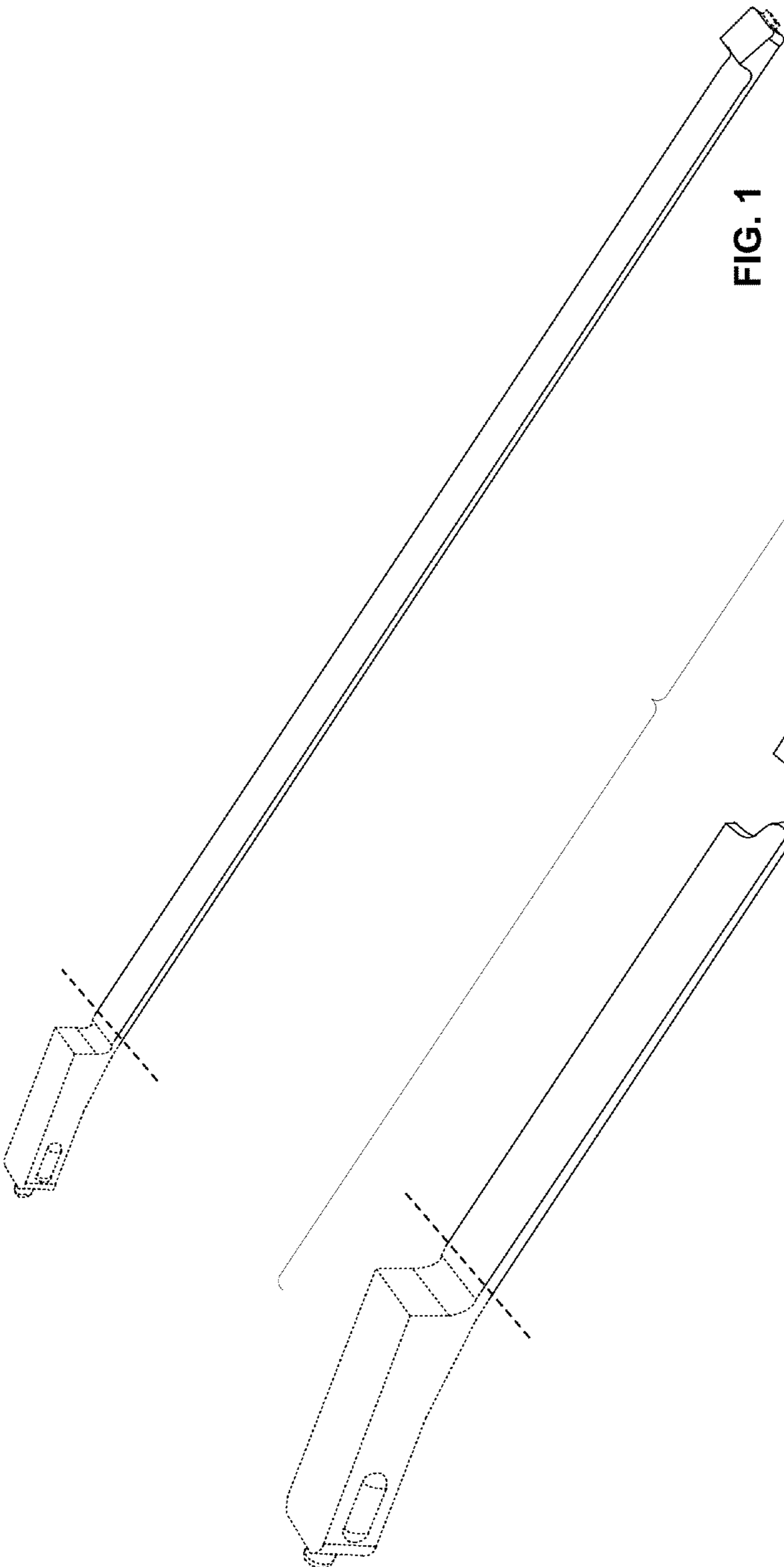


FIG. 1

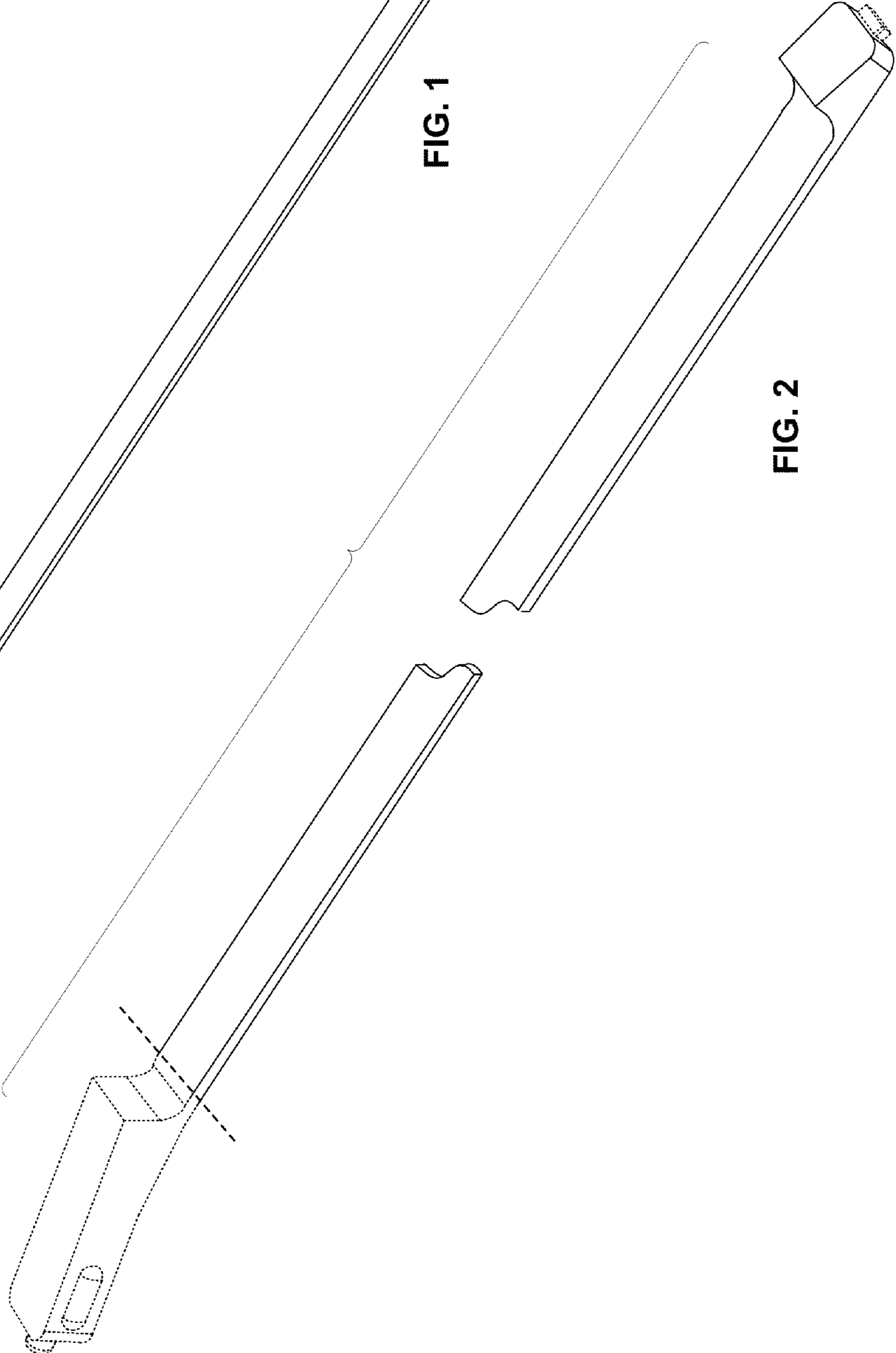


FIG. 2

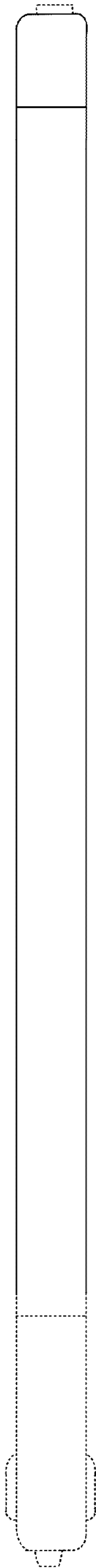


FIG. 3

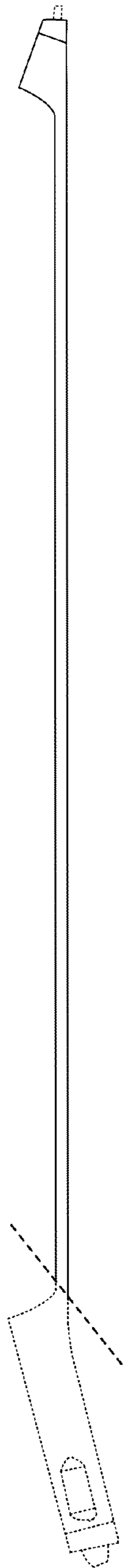


FIG. 4

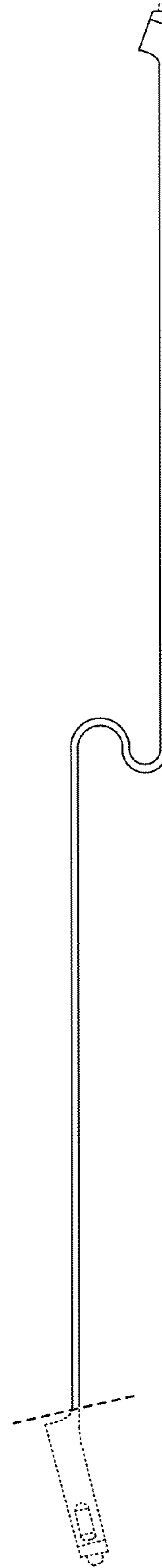


FIG. 5