



US00D728483S

(12) **United States Design Patent**  
**Fries**

(10) **Patent No.:** **US D728,483 S**

(45) **Date of Patent:** **\*\* May 5, 2015**

(54) **SENSOR CONNECTOR**  
(71) Applicant: **Covidien LP**, Mansfield, MA (US)  
(72) Inventor: **Timothy W. Fries**, Louisville, CO (US)  
(73) Assignee: **Covidien LP**, Mansfield, MA (US)  
(\*\*) Term: **14 Years**

5,934,925 A 8/1999 Tobler et al.  
5,961,452 A 10/1999 Chung et al.  
5,997,343 A 12/1999 Mills et al.  
6,014,576 A 1/2000 Raley  
6,026,312 A 2/2000 Shemwell et al.  
D424,020 S \* 5/2000 Fischer ..... D13/146  
6,112,107 A 8/2000 Hannula  
6,152,754 A 11/2000 Gerhardt et al.

(Continued)

(21) Appl. No.: **29/468,592**  
(22) Filed: **Oct. 1, 2013**  
(51) **LOC (10) Cl.** ..... **13-03**  
(52) **U.S. Cl.**  
USPC ..... **D13/147**  
(58) **Field of Classification Search**  
USPC ..... D13/147, 154, 184, 199  
See application file for complete search history.

**FOREIGN PATENT DOCUMENTS**

EP 1945099 7/2008  
JP 6016774 3/1994

(Continued)

*Primary Examiner* — Daniel Bui  
(74) *Attorney, Agent, or Firm* — Fletcher Yoder PC

(57) **CLAIM**  
I claim the ornamental design for a sensor connector, as shown and described.

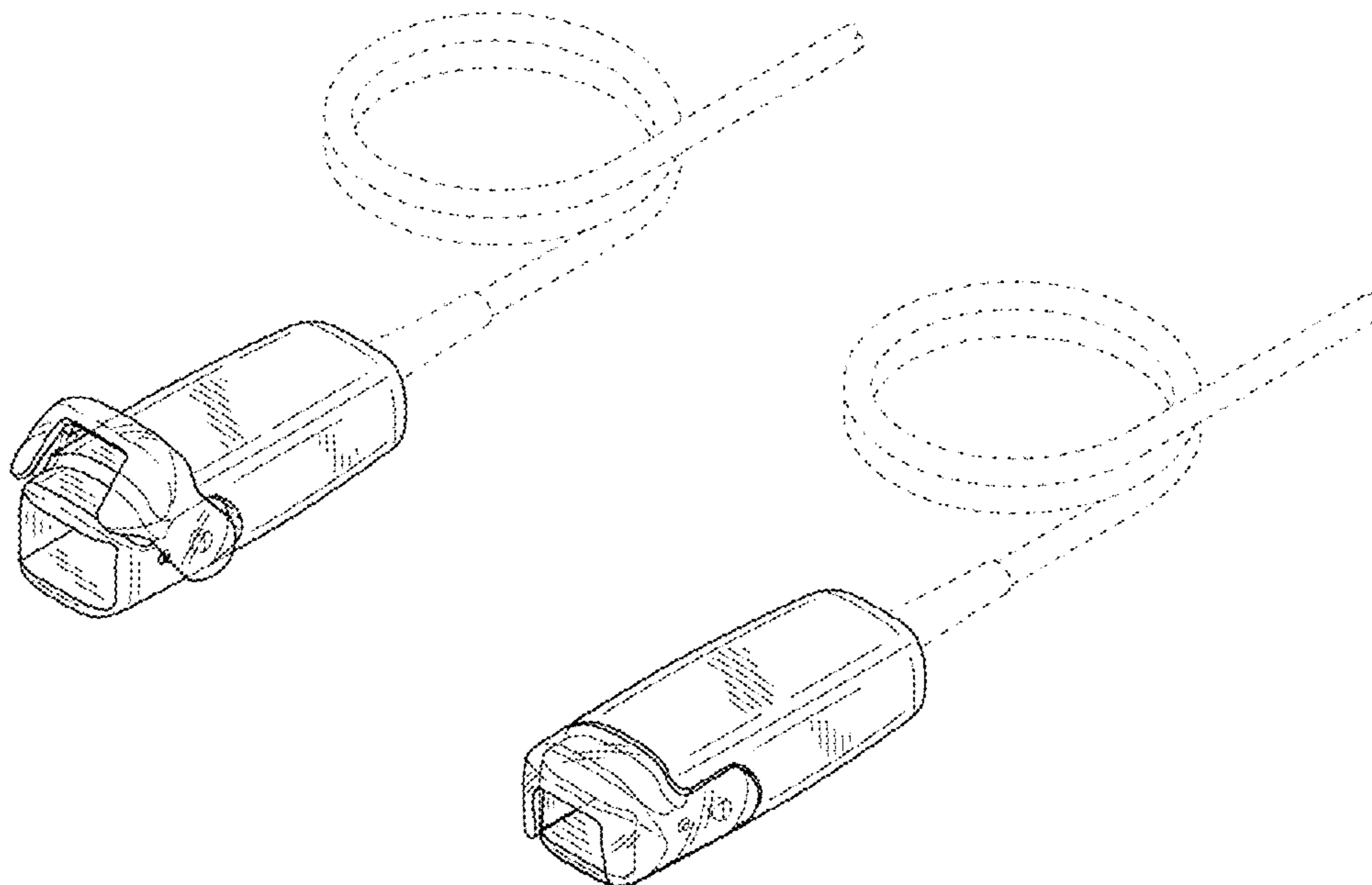
(56) **References Cited**  
**U.S. PATENT DOCUMENTS**

**DESCRIPTION**

4,964,408 A 10/1990 Hink et al.  
5,069,213 A 12/1991 Polczynski  
D329,042 S \* 9/1992 van der Burgh ..... D13/133  
5,154,175 A 10/1992 Gunther  
5,228,440 A 7/1993 Chung et al.  
5,249,576 A 10/1993 Goldberger et al.  
5,287,853 A 2/1994 Vester et al.  
5,343,869 A 9/1994 Pross et al.  
5,387,122 A 2/1995 Goldberger et al.  
5,425,362 A 6/1995 Siker et al.  
5,491,299 A 2/1996 Naylor et al.  
5,645,440 A 7/1997 Tobler  
5,660,567 A 8/1997 Nierlich et al.  
5,743,260 A 4/1998 Chung et al.  
5,790,729 A 8/1998 Pologe et al.  
5,851,178 A 12/1998 Aronow  
5,890,929 A 4/1999 Mills et al.

FIG. 1 is a perspective view of the sensor connector of the present invention with a movable cover in the open position; FIG. 2 is a perspective view of the sensor connector of FIG. 1 with the movable cover in an alternate closed position; FIG. 3 is a top view of the sensor connector of FIG. 2; FIG. 4 is a bottom view of the sensor connector of FIG. 2; FIG. 5 is a right side view of the sensor connector of FIG. 2; FIG. 6 is a left side view of the sensor connector of FIG. 2; FIG. 7 is a front view of the sensor connector of FIG. 2; and, FIG. 8 is a rear view of the sensor connector of FIG. 2. Any subject matter shown in broken lines in the drawings constitutes the environment only and forms no part of the protection sought.

**1 Claim, 4 Drawing Sheets**



(56)

References Cited

U.S. PATENT DOCUMENTS

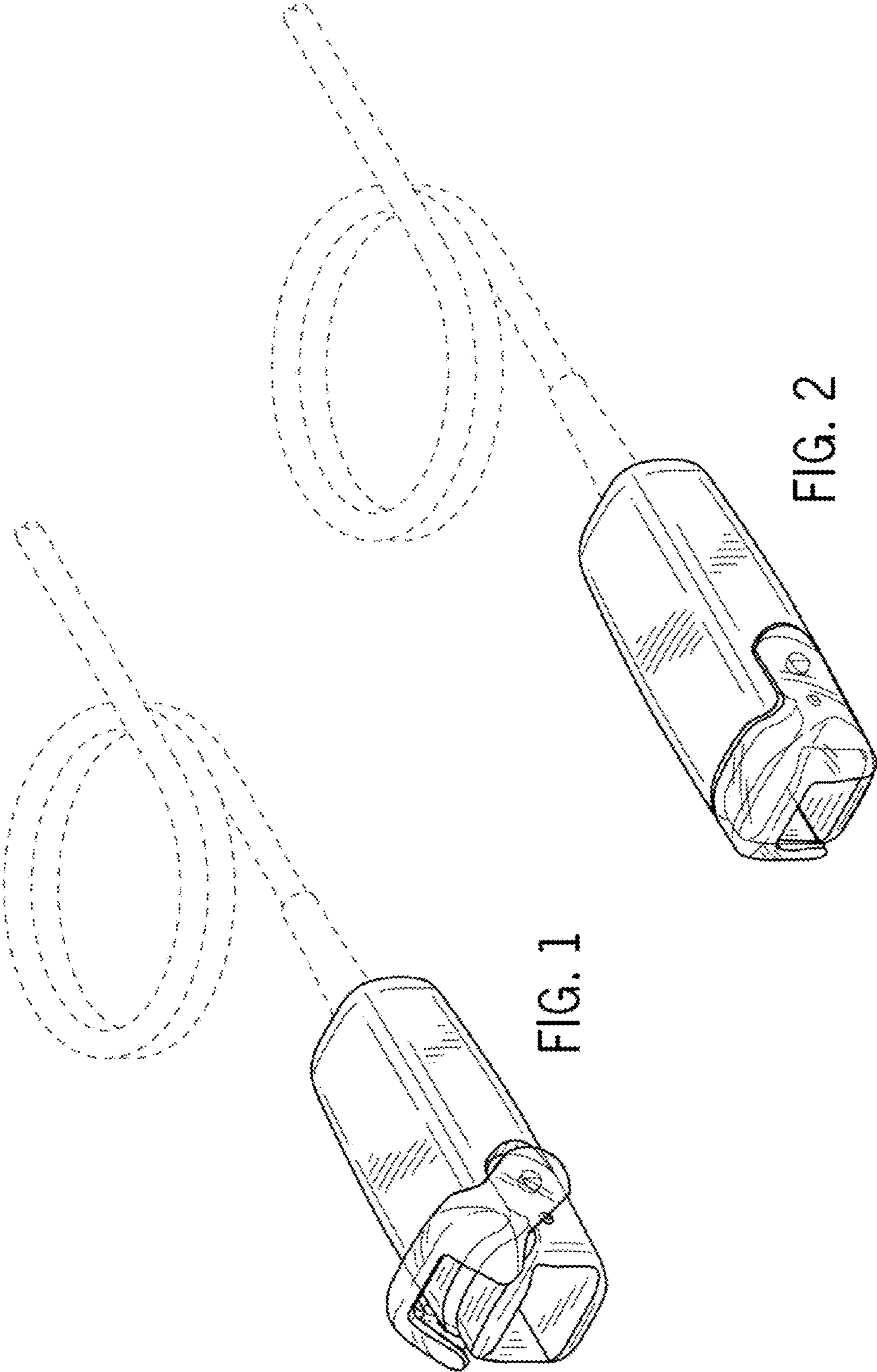
6,165,005	A	12/2000	Mills et al.	
D443,859	S *	6/2001	Hogan .....	D13/133
6,253,097	B1	6/2001	Aronow et al.	
6,280,213	B1	8/2001	Tobler et al.	
6,370,409	B1	4/2002	Chung et al.	
D473,849	S *	4/2003	Yeh .....	D13/147
6,541,756	B2	4/2003	Schultz et al.	
6,678,543	B2	1/2004	Diab et al.	
6,850,788	B2	2/2005	Al-Ali	
7,117,590	B2	10/2006	Koenig et al.	
7,132,641	B2	11/2006	Schultz et al.	
7,210,959	B1	5/2007	Teves	
7,225,006	B2	5/2007	Al-Ali et al.	
7,248,910	B2	7/2007	Li et al.	
7,371,981	B2	5/2008	Abdul-Hafiz	
7,377,794	B2	5/2008	Al-Ali et al.	
7,427,165	B2	9/2008	Benaron et al.	
D584,648	S *	1/2009	Sekiguchi et al. ....	D10/78
D615,040	S *	5/2010	Slippy et al. ....	D13/133
D625,211	S *	10/2010	Chun .....	D10/78
D713,751	S *	9/2014	Nadeau .....	D10/78
2002/0103423	A1	8/2002	Chin et al.	
2003/0135099	A1	7/2003	Al-Ali	
2003/0162414	A1	8/2003	Schulz et al.	

2004/0267103	A1	12/2004	Li et al.
2005/0113704	A1	5/2005	Lawson et al.
2006/0211932	A1	9/2006	Al-Ali et al.
2006/0241363	A1	10/2006	Al-Ali et al.
2007/0123783	A1	5/2007	Chang
2008/0064940	A1	3/2008	Raridan
2008/0071153	A1	3/2008	Al-Ali et al.
2008/0076980	A1	3/2008	Hoarau
2008/0076995	A1	3/2008	Hoarau
2008/0076996	A1	3/2008	Hoarau
2008/0081954	A1	4/2008	Meyer et al.
2008/0220633	A1	9/2008	Al-Ali et al.
2008/0255435	A1	10/2008	Al-Ali et al.
2008/0316488	A1	12/2008	Mao et al.

FOREIGN PATENT DOCUMENTS

JP	24329406	A2	11/2004
JP	25052385	A2	3/2005
JP	25110816	A2	4/2005
JP	26061566	A2	3/2006
JP	27117641	A2	5/2007
JP	27167183	A2	7/2007
JP	27167184	A2	7/2007
JP	27190122	A2	8/2007

\* cited by examiner



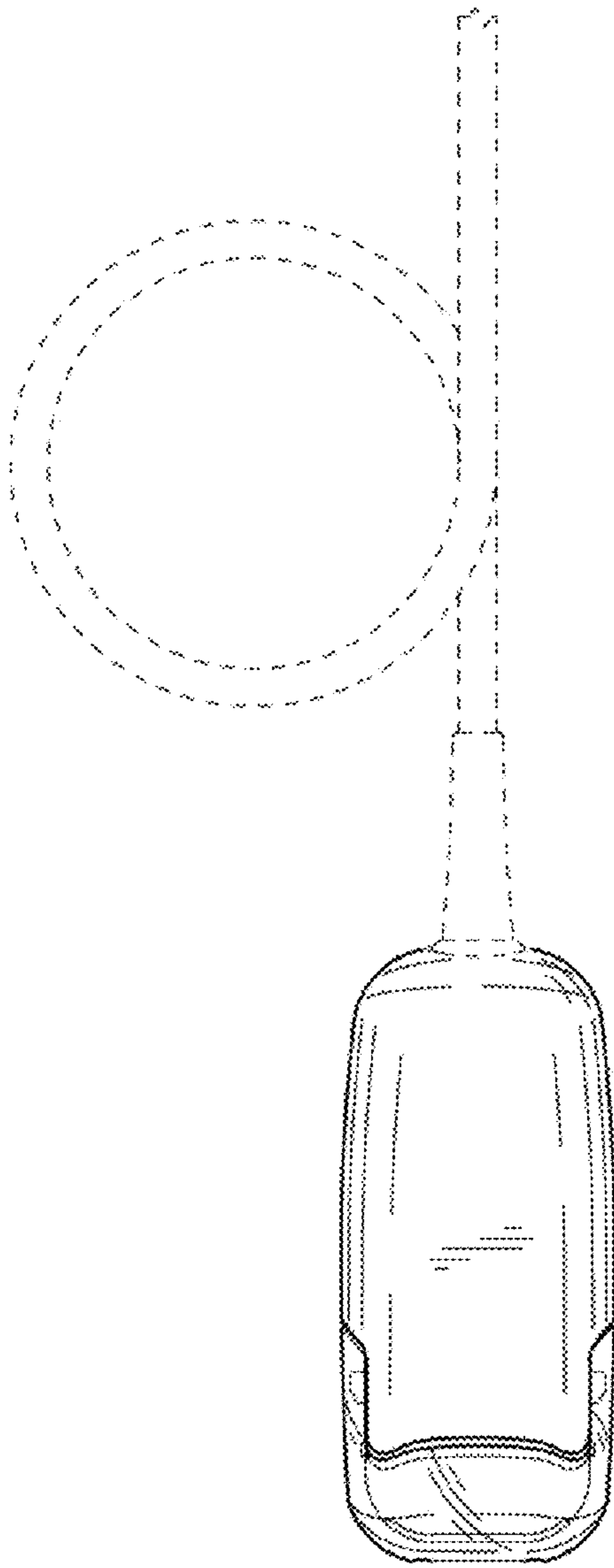


FIG. 3

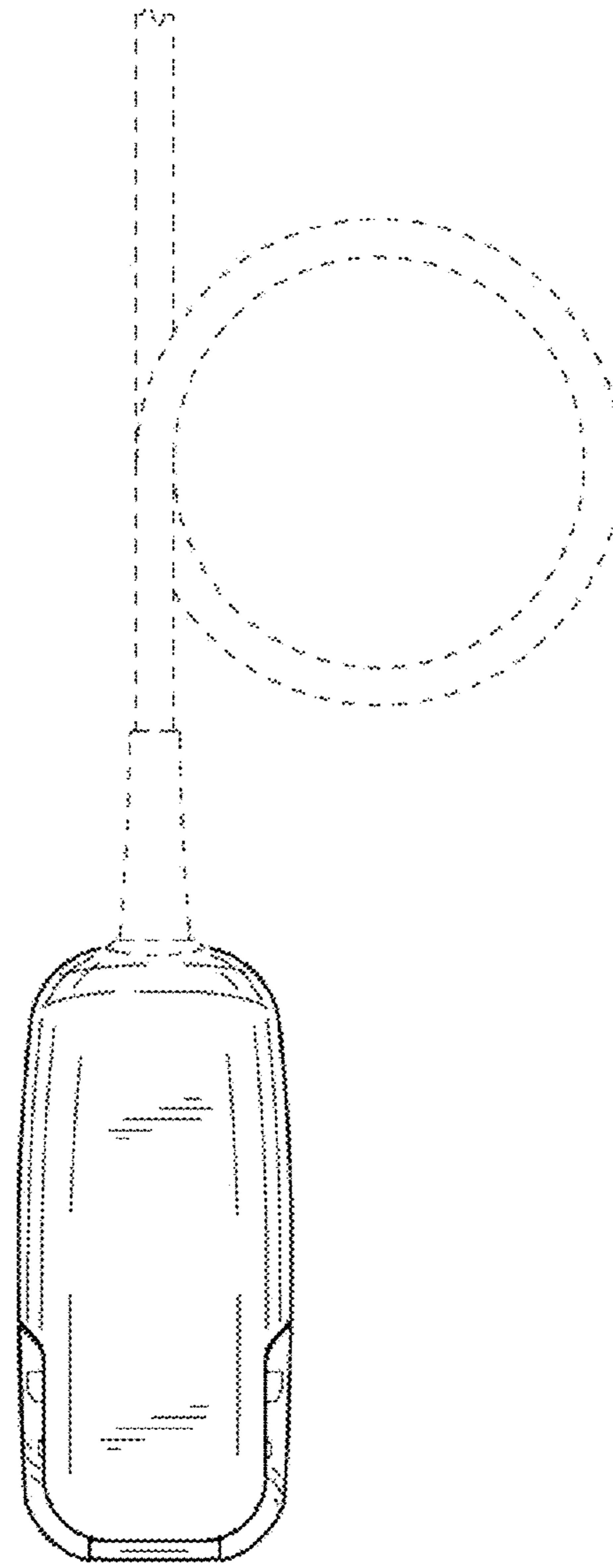


FIG. 4

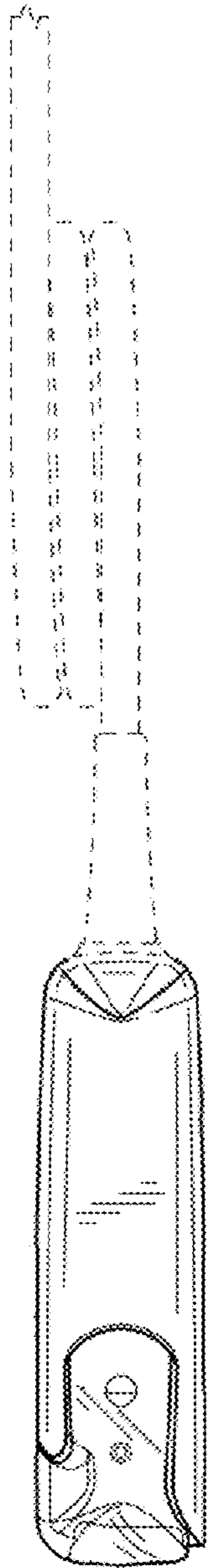


FIG. 5

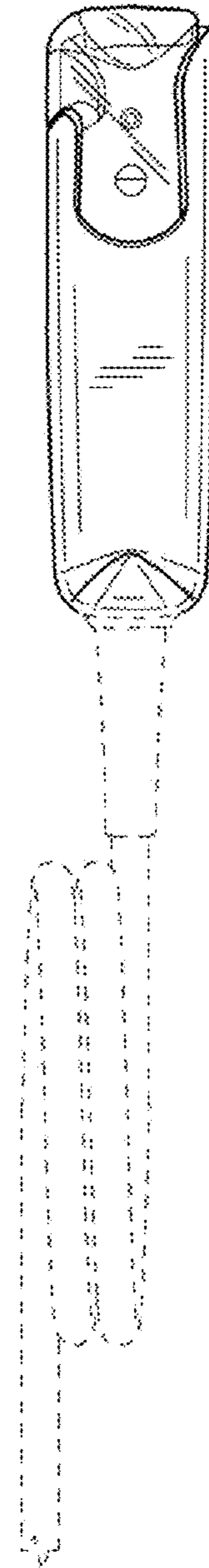


FIG. 6

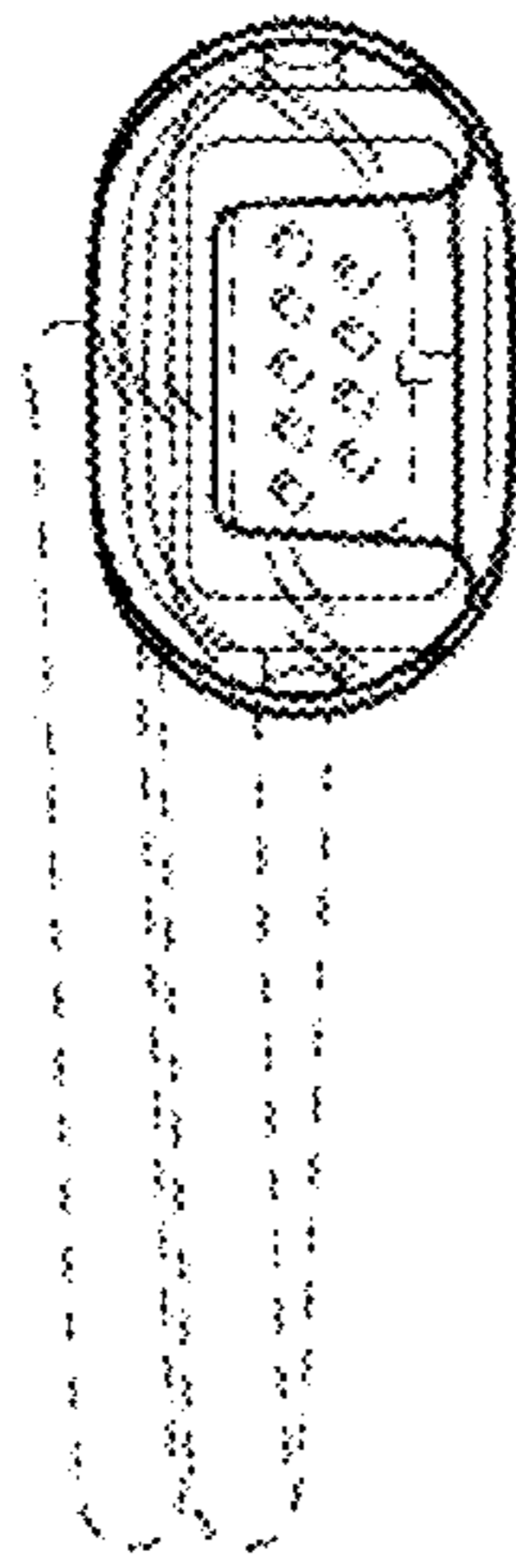


FIG. 7

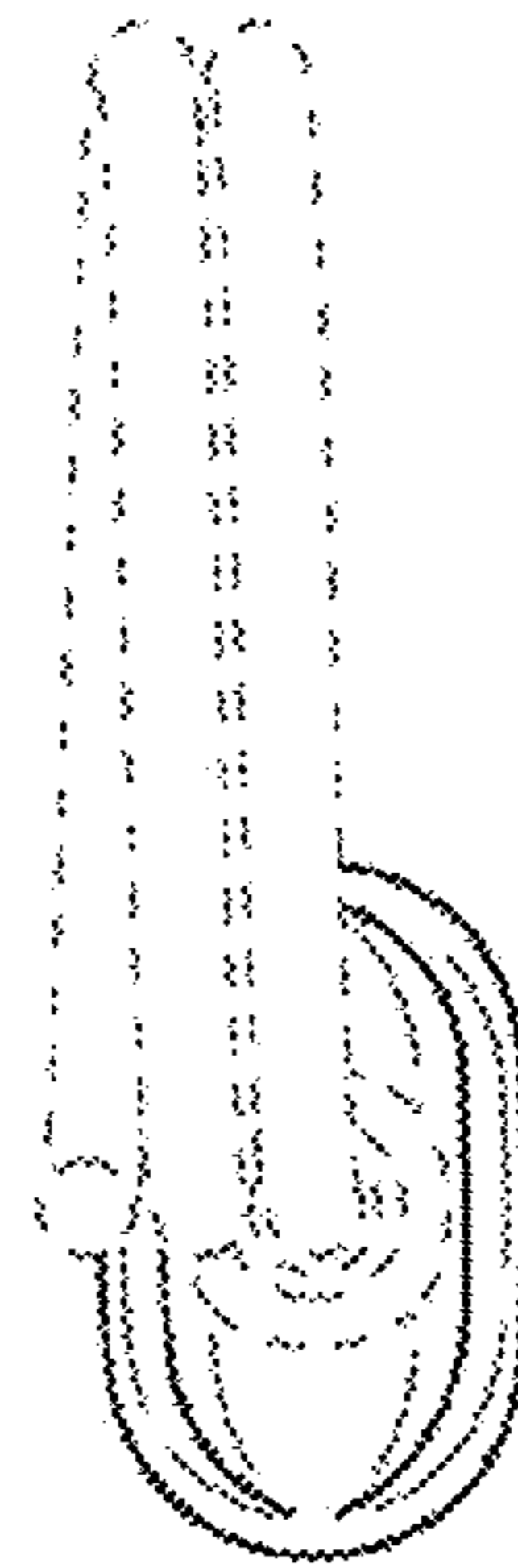


FIG. 8