



US00D728482S

(12) **United States Design Patent**
Cepress et al.

(10) **Patent No.:** **US D728,482 S**

(45) **Date of Patent:** **** May 5, 2015**

(54) **CABLE**

D612,809 S * 3/2010 Zhao et al. D13/147
D675,993 S * 2/2013 Izen et al. D13/147
D713,795 S * 9/2014 Yang D13/147

(71) Applicant: **Motorola Mobility LLC**, Libertyville, IL (US)

OTHER PUBLICATIONS

(72) Inventors: **Carl A. Cepress**, Chicago, IL (US);
Daniel T. Berg, Antioch, IL (US);
Christopher B. Houghton, Chicago, IL (US);
Dickon Isaacs, Chicago, IL (US);
Sangsoo Park, Chicago, IL (US); **Max K. Yoshimoto**, Sunnyvale, CA (US)

Audiophile, "Digital Audio USB Cable", Jul. 16, 2013, <http://aphroditecu29.com/WireWorld/AudioUSBCable.aspx>, 5 pages.

* cited by examiner

(73) Assignee: **Motorola Mobility LLC**, Chicago, IL (US)

Primary Examiner — Daniel Bui

(74) *Attorney, Agent, or Firm* — Gary J. Cunningham

(**) Term: **14 Years**

(57) **CLAIM**

The ornamental design for a cable, as shown and described.

(21) Appl. No.: **29/460,864**

DESCRIPTION

(22) Filed: **Jul. 16, 2013**

(51) **LOC (10) Cl.** **13-03**

(52) **U.S. Cl.**
USPC **D13/147**

(58) **Field of Classification Search**
USPC D13/147, 153, 154, 184, 199
See application file for complete search history.

FIG. 1 is a front, top and left side perspective view of a cable showing our new design;
FIG. 2 is a rear, bottom and left side perspective view thereof;
FIG. 3 is a front elevation view thereof;
FIG. 4 is a rear elevation view thereof;
FIG. 5 is a left side elevation view thereof;
FIG. 6 is a right side elevation view thereof;
FIG. 7 is a top plan view thereof; and,
FIG. 8 is a bottom plan view thereof.

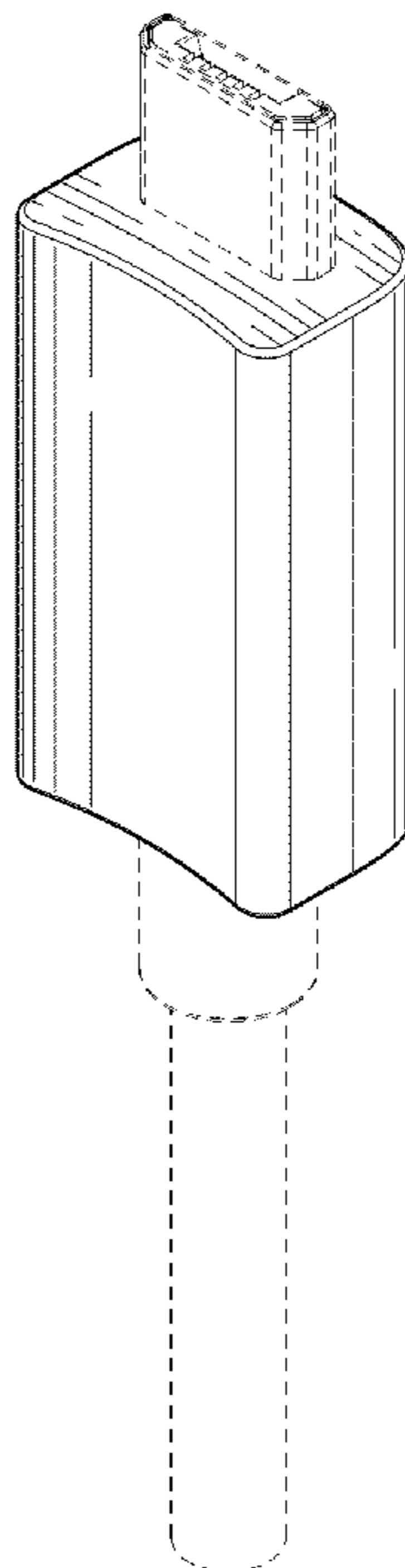
The broken line in the drawing views represents unclaimed environment and forms no parts of the claimed design.

(56) **References Cited**

U.S. PATENT DOCUMENTS

D531,580 S * 11/2006 Nishio et al. D13/147
D548,190 S * 8/2007 Watanabe et al. D13/147

1 Claim, 4 Drawing Sheets



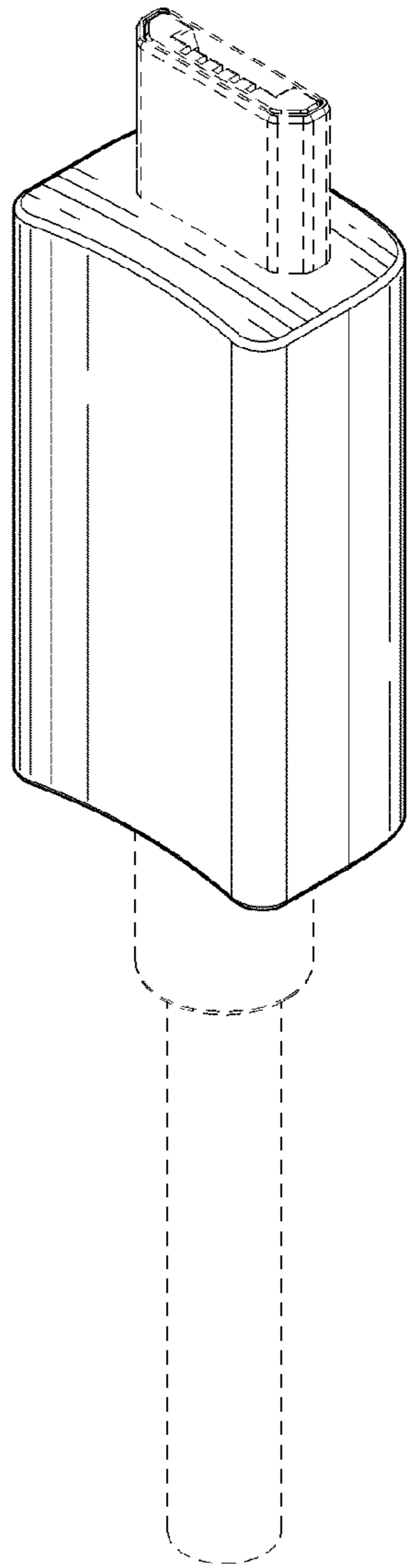


FIG. 1

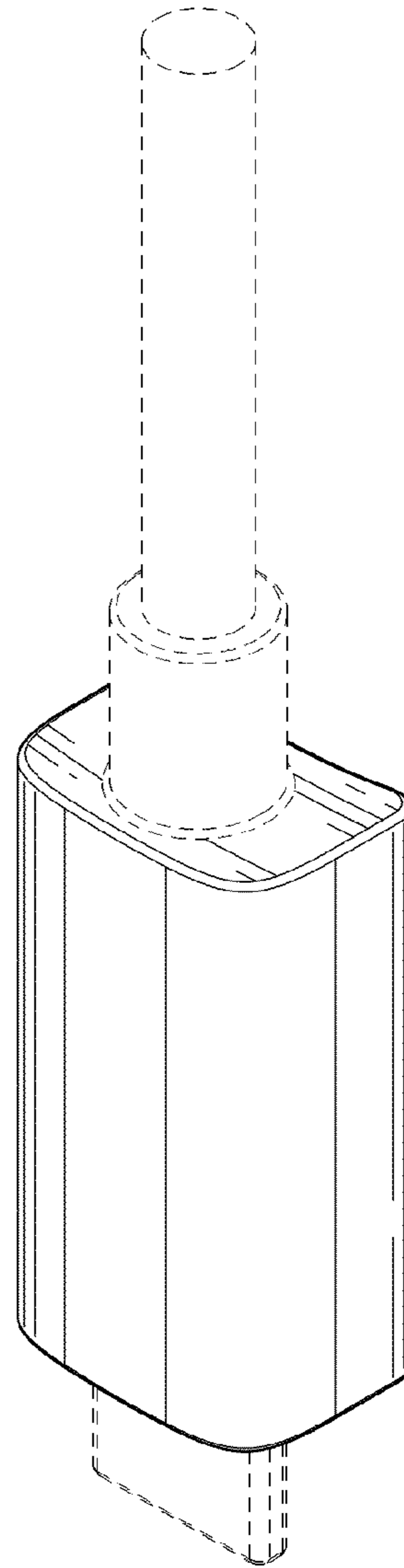


FIG. 2

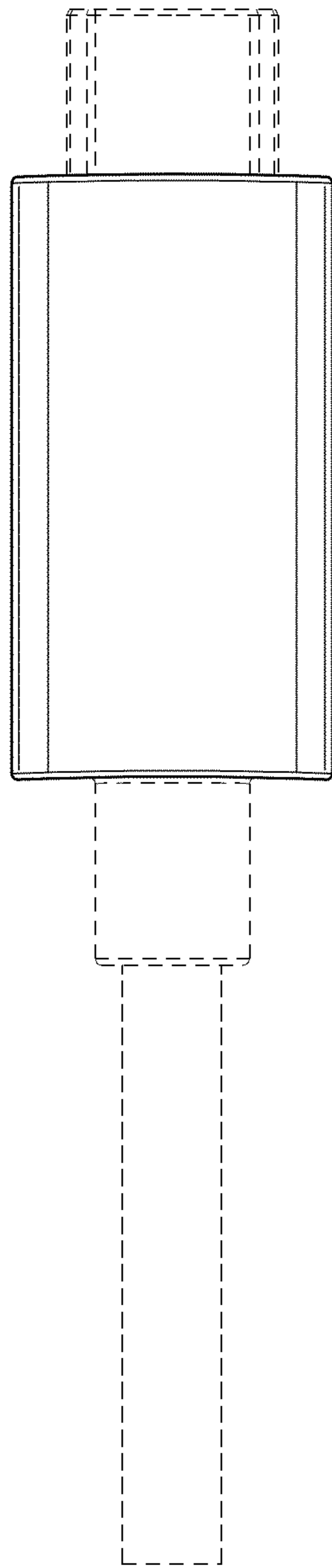


FIG. 3

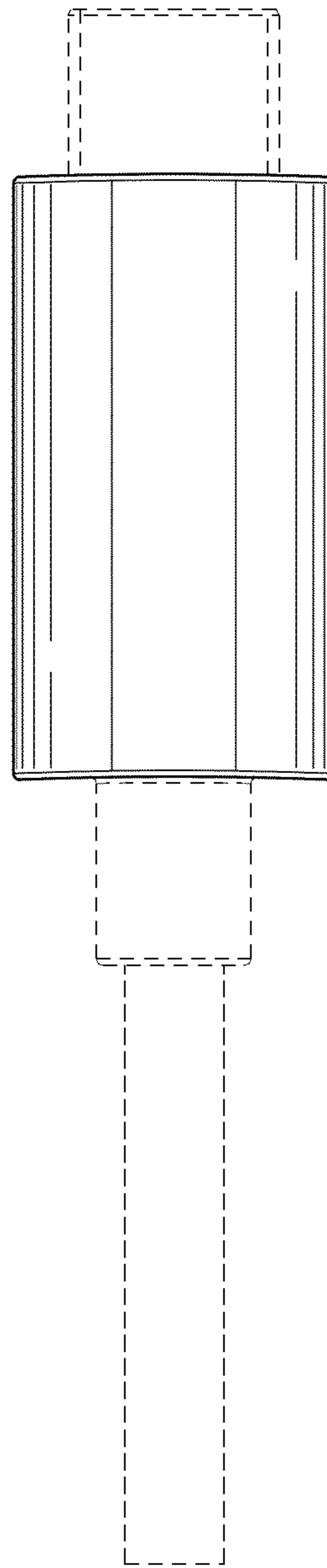


FIG. 4

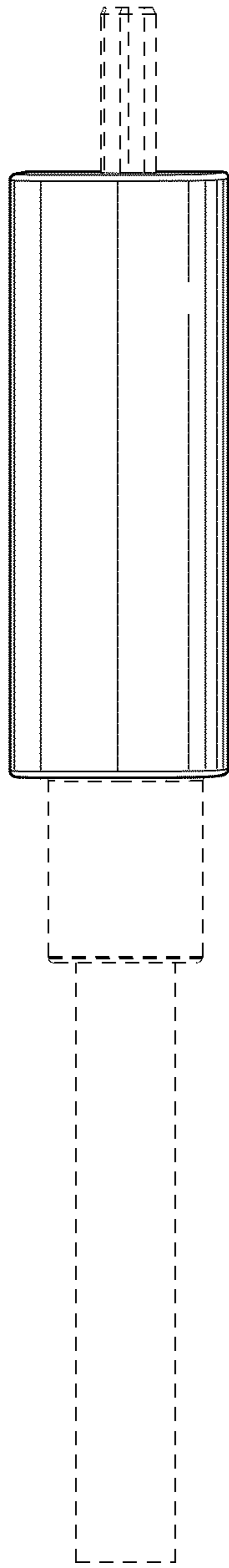


FIG. 5

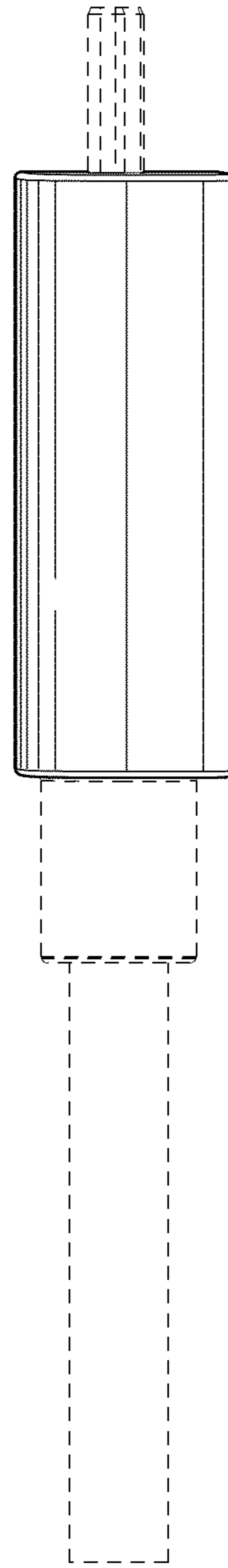


FIG. 6

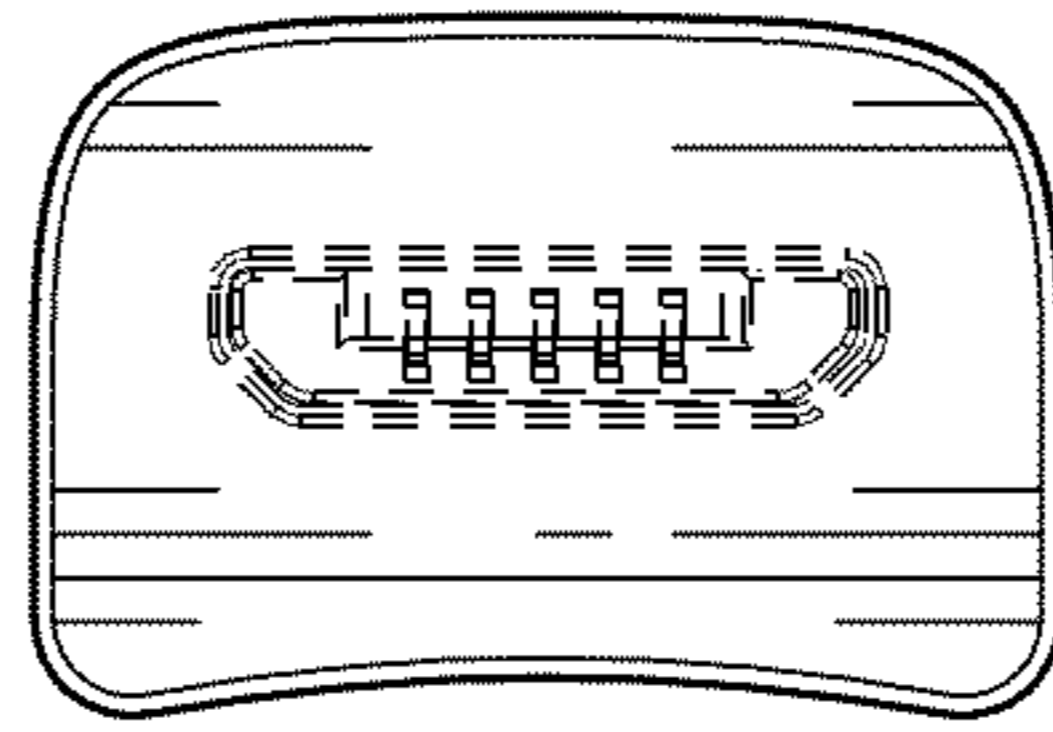


FIG. 7

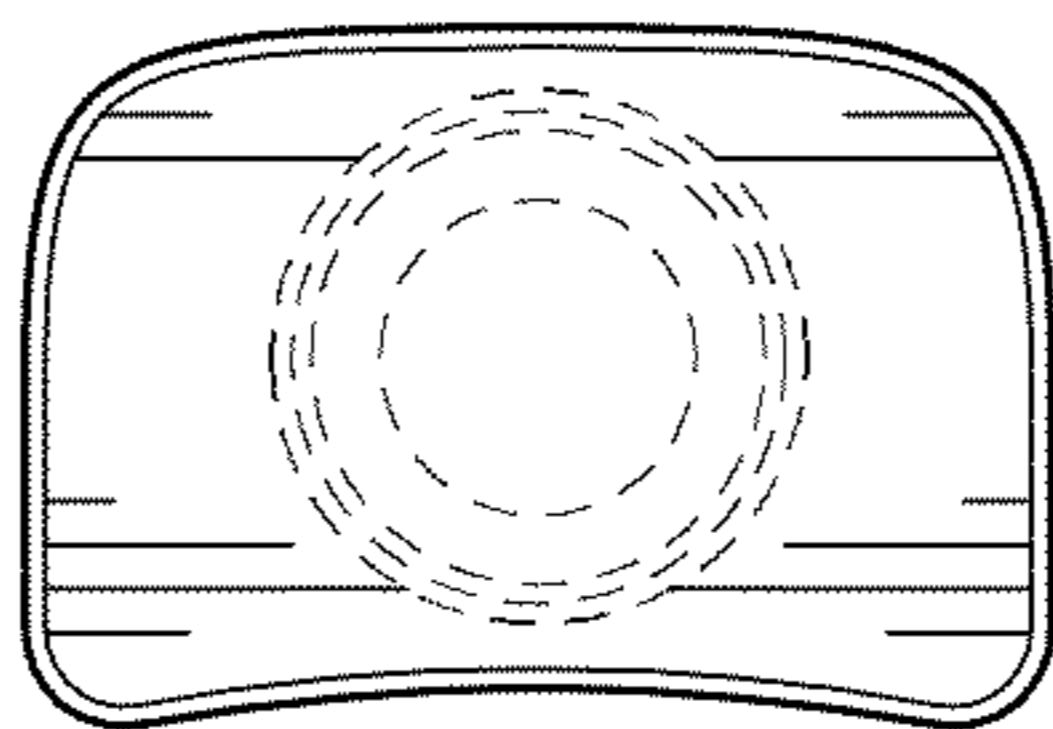


FIG. 8