

US00D728481S

(12) **United States Design Patent**
Schulte

(10) **Patent No.:** **US D728,481 S**

(45) **Date of Patent:** **** May 5, 2015**

- (54) **HOUSING FOR A SOCKET STRIP**
- (71) Applicant: **Schulte-Elektrotechnik GmbH & Co. KG**, Luedenscheid (DE)
- (72) Inventor: **Siegfried Schulte**, Luedenscheid (DE)
- (73) Assignee: **Schulte-Elektrotechnik GmbH & Co. KG**, Luedenscheid (DE)
- (**) Term: **14 Years**

- D405,052 S * 2/1999 Byrne D13/139.4
- D412,696 S * 8/1999 Byrne D13/139.4
- D468,701 S * 1/2003 Byrne D13/156
- D534,869 S * 1/2007 Stekelenburg D13/139.1
- D563,895 S * 3/2008 Stuckmann et al. D13/152
- D629,365 S * 12/2010 Garcia De Vicuna D13/152
- D632,268 S * 2/2011 Laursen et al. D13/199
- D641,707 S * 7/2011 Czarnecki et al. D13/152
- 8,021,172 B2 * 9/2011 Shunjie 439/131
- D648,282 S * 11/2011 Czarnecki et al. D13/152
- D654,821 S * 2/2012 Perkins et al. D10/121
- D669,856 S * 10/2012 Rosendahl D13/139.5
- D679,668 S * 4/2013 Laursen et al. D13/199

(21) Appl. No.: **29/457,157**

(22) Filed: **Jun. 7, 2013**

(30) **Foreign Application Priority Data**

Dec. 13, 2012 (EM) 002152736

(51) **LOC (10) Cl.** **13-03**

(52) **U.S. Cl.**
USPC **D13/139.4**

(58) **Field of Classification Search**
USPC D13/139.4, 139.1-139.8, 156, 110,
D13/199; 174/97, 93, 17 R; D10/121;
220/3.2, 3.3, 3.7-3.9; 439/131, 135,
439/136

See application file for complete search history.

(56) **References Cited**

U.S. PATENT DOCUMENTS

- 4,631,353 A * 12/1986 Marks 174/16.1
- D288,802 S * 3/1987 Bramwell D13/155
- 5,162,614 A * 11/1992 Bogiel et al. 174/97

* cited by examiner

Primary Examiner — Holly Baynham

Assistant Examiner — Rhea Shields

(74) *Attorney, Agent, or Firm* — Collard & Roe, P.C.

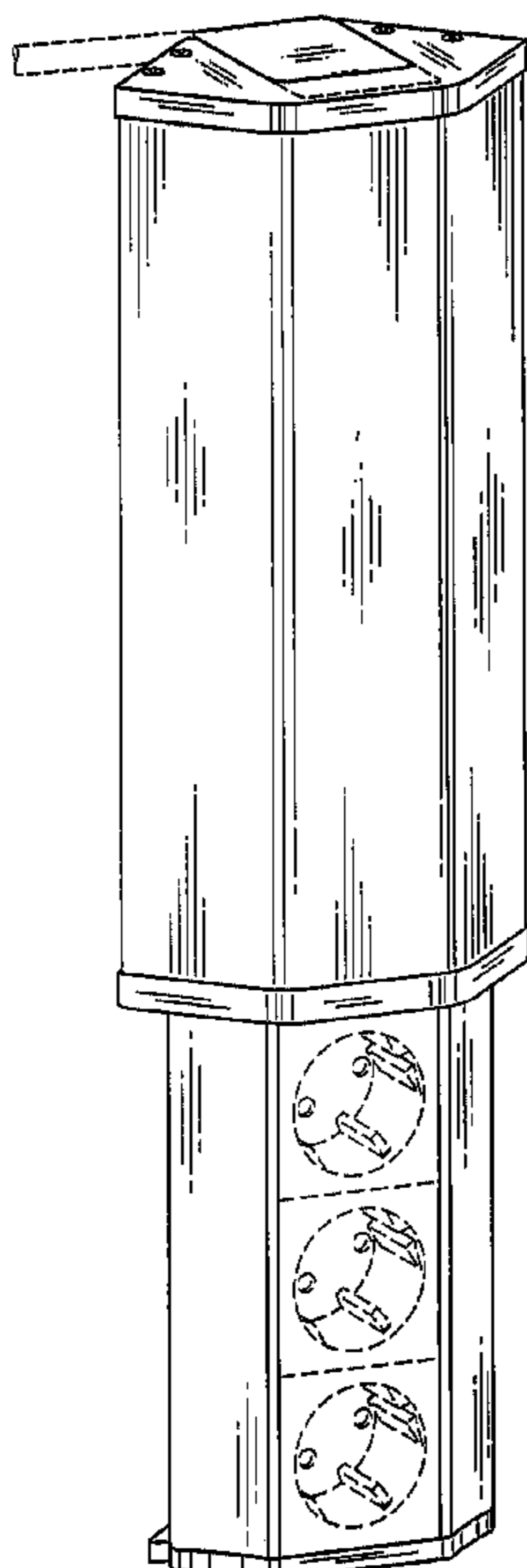
(57) **CLAIM**

The ornamental design for a housing for a socket strip, as shown and described.

DESCRIPTION

FIG. 1 is a top and side perspective view of my design for a housing for a socket strip;
 FIG. 2 is a top view thereof;
 FIG. 3 is a bottom view thereof;
 FIG. 4 is a side view thereof;
 FIG. 5 is an opposite side view thereof; and,
 FIG. 6 is a top and side perspective view thereof, in an open position.
 In the drawings, the broken lines depict unclaimed subject matter only and form no part of the claimed design.

1 Claim, 3 Drawing Sheets



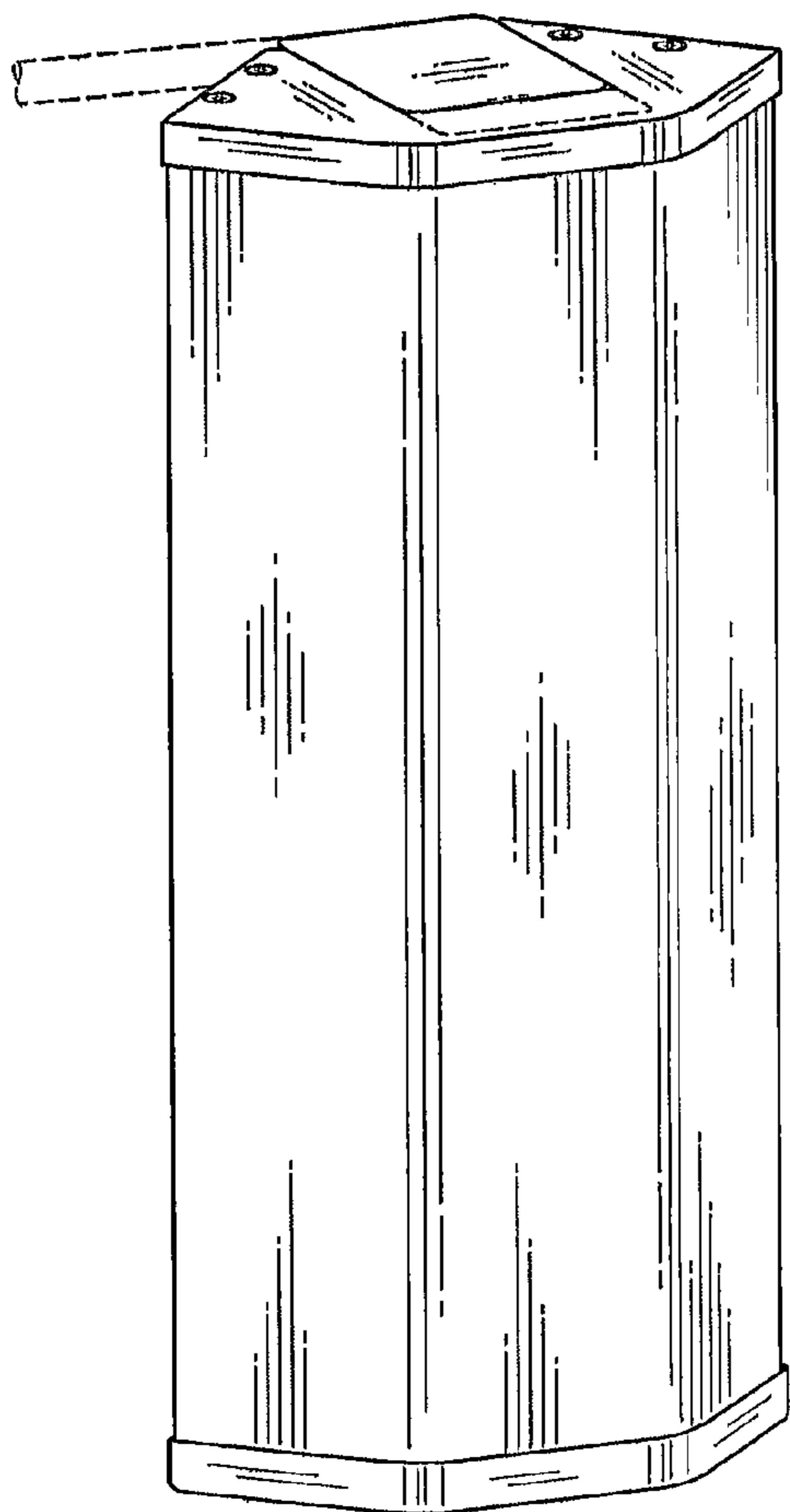


FIG. 1

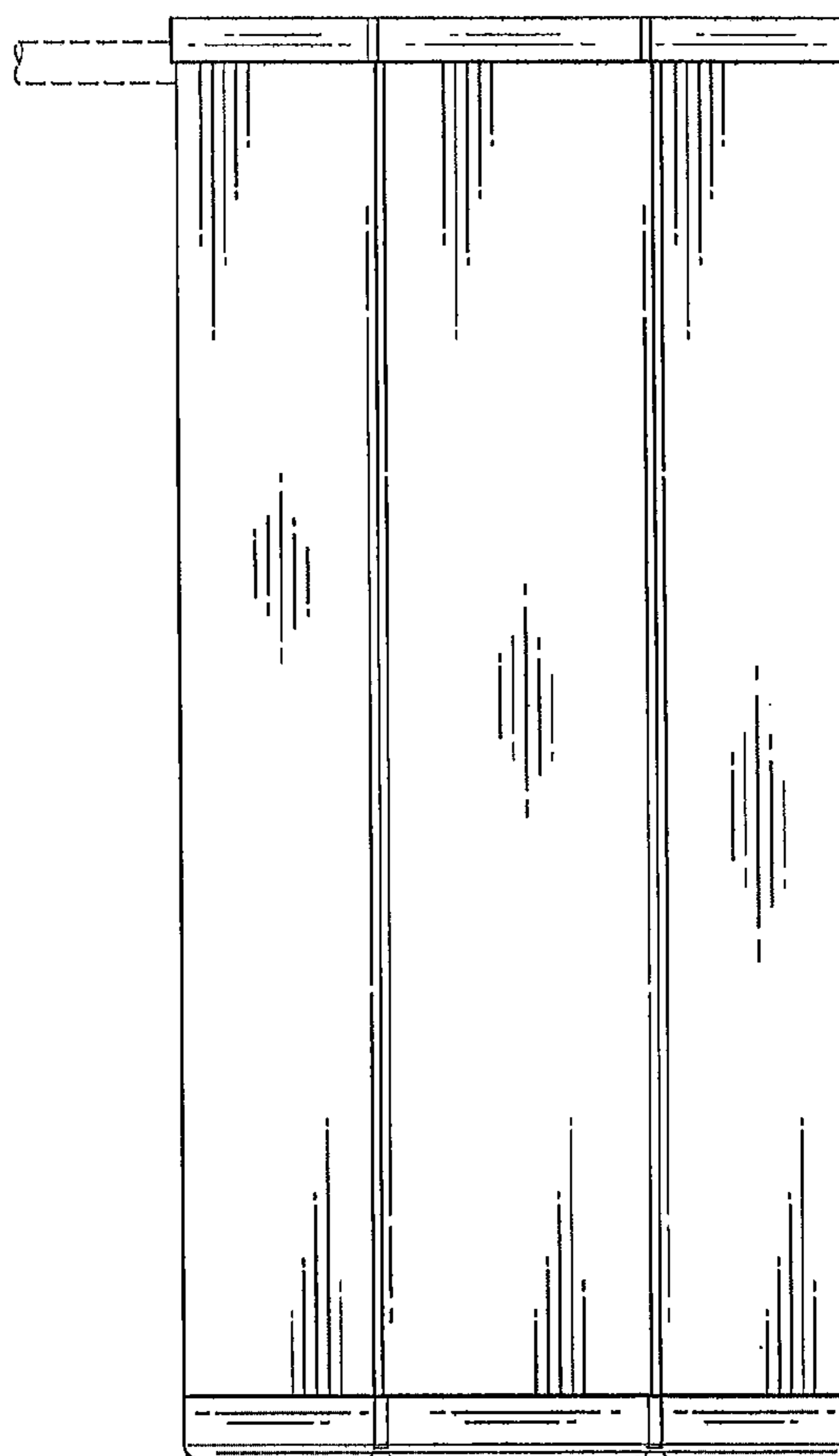


FIG. 2

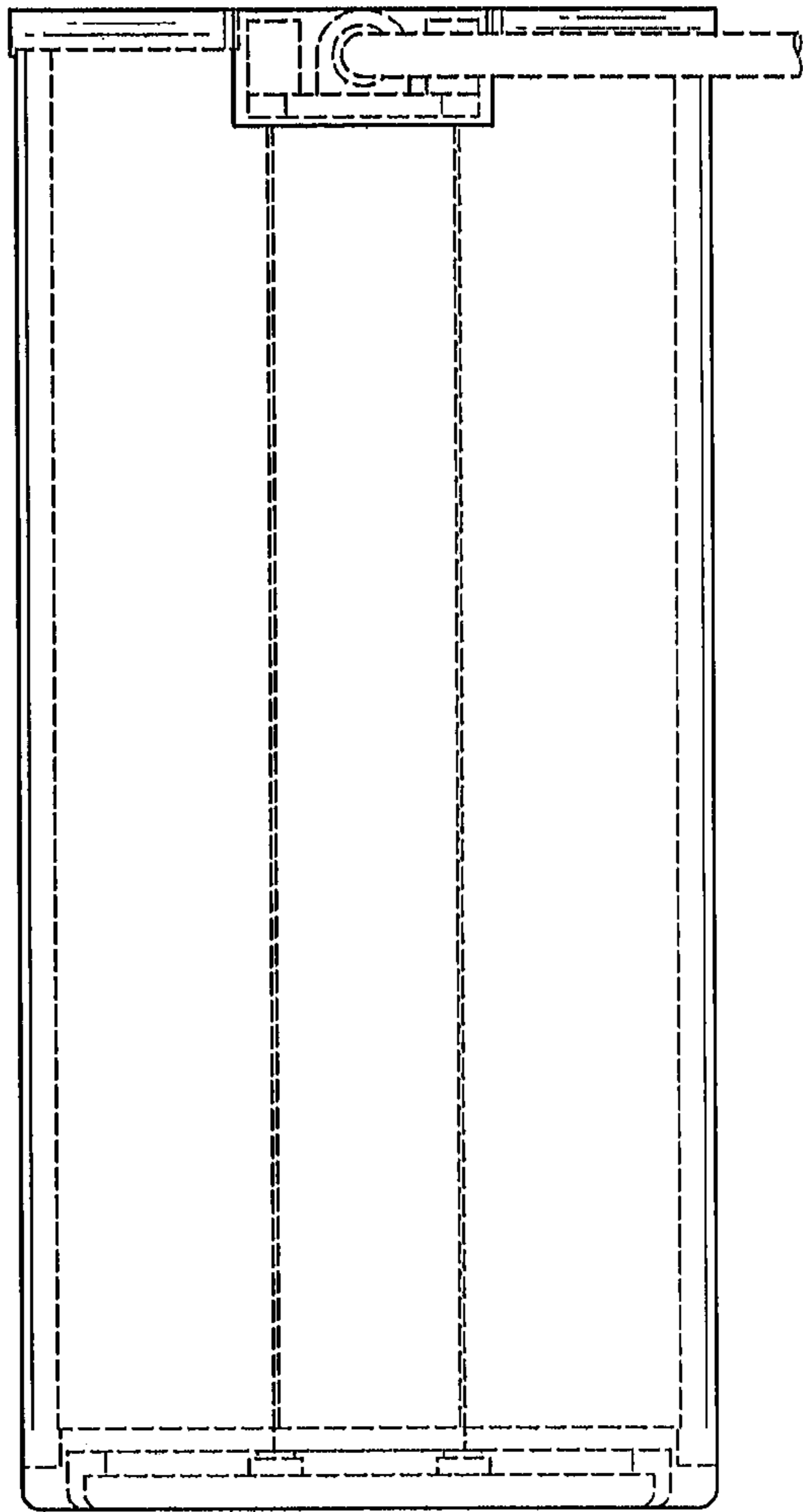


FIG. 3

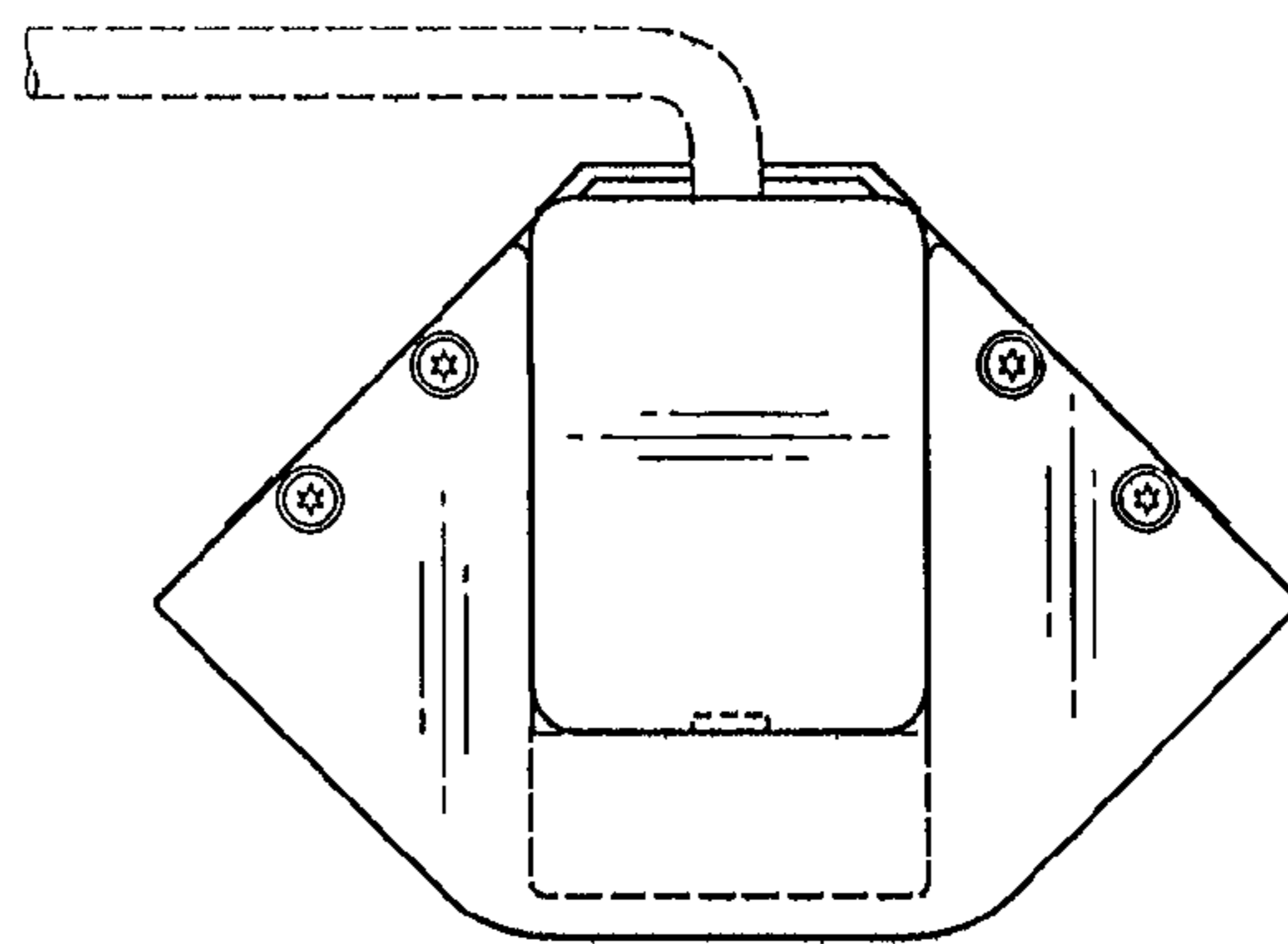


FIG. 4

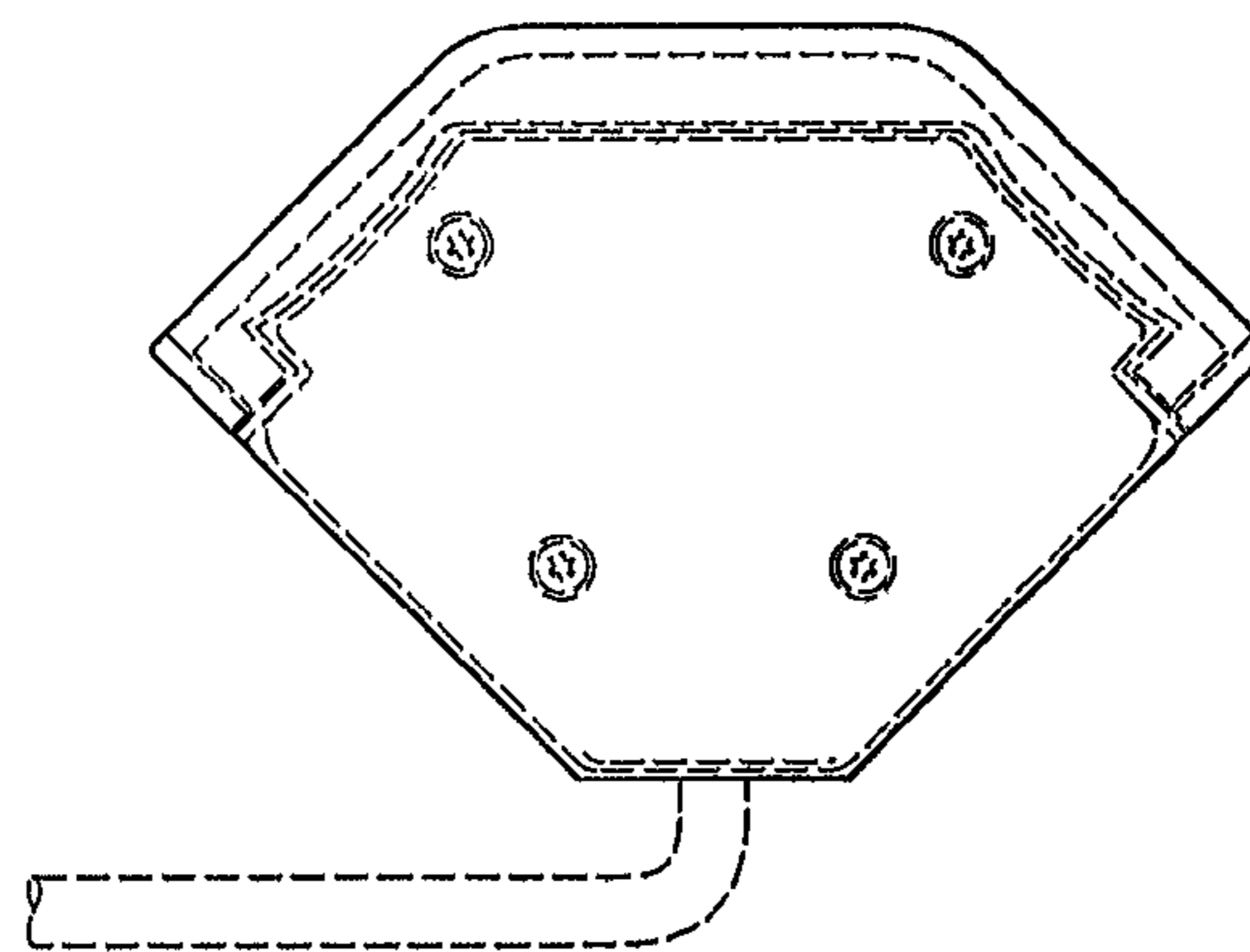


FIG. 5

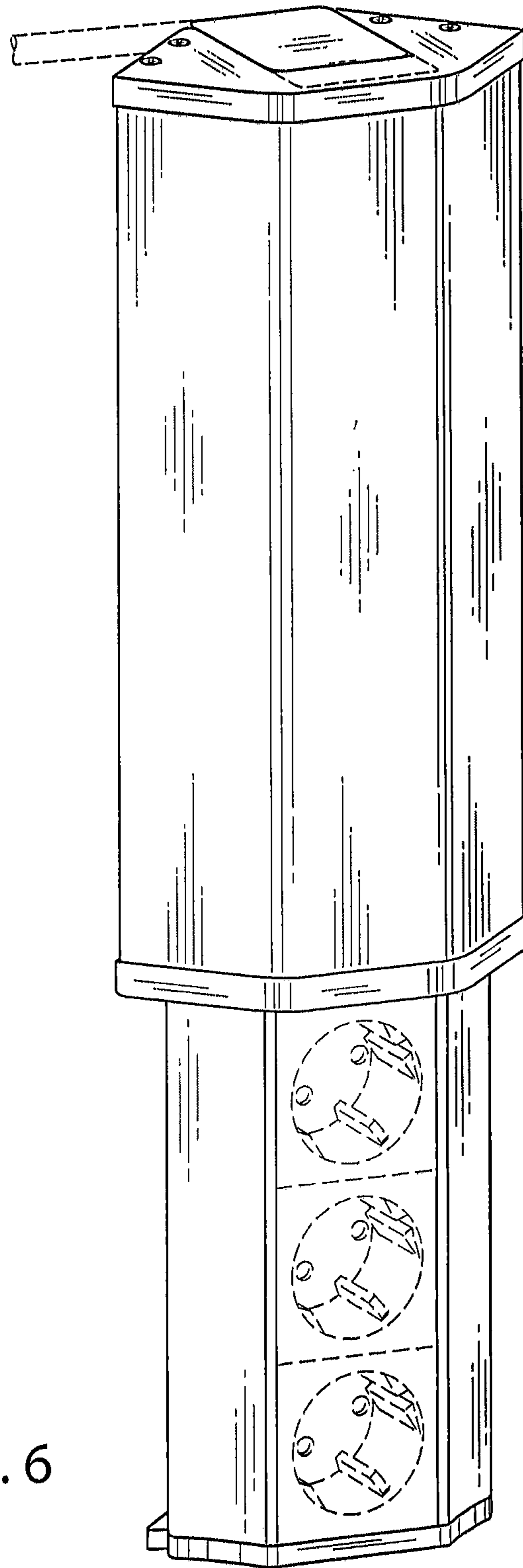


FIG. 6