



US00D728480S

(12) **United States Design Patent**
Chang et al.

(10) **Patent No.:** **US D728,480 S**

(45) **Date of Patent:** **** May 5, 2015**

(54) **LED LAMP HOLDER**

(71) Applicant: **Unity Opto Technology Co., Ltd.**, New Taipei (TW)

(72) Inventors: **Wei Chang**, New Taipei (TW);
Chih-Hsien Wu, New Taipei (TW);
Huan-Ying Lu, New Taipei (TW);
Shih-Chao Shen, New Taipei (TW)

(73) Assignee: **Unity Opto Technology Co., Ltd.**, New Taipei (TW)

(**) Term: **14 Years**

(21) Appl. No.: **29/477,017**

(22) Filed: **Dec. 18, 2013**

(30) **Foreign Application Priority Data**

Aug. 30, 2013 (TW) 102305822

(51) **LOC (10) Cl.** **13-03**

(52) **U.S. Cl.**
USPC **D13/134**

(58) **Field of Classification Search**
USPC 313/318.01, 318.12; 362/430, 555, 581,
362/651; 439/131, 226, 236, 256, 300, 336,
439/534, 602, 604, 605; D13/133, 134,
D13/135, 136, 151, 154, 158, 180, 184,
D13/199; D26/106, 113, 2, 24, 26, 3, 60, 61
See application file for complete search history.

(56) **References Cited**

U.S. PATENT DOCUMENTS

D130,269 S *	11/1941	Magnenat	D13/134
D383,118 S *	9/1997	Chen	D13/134
D515,044 S *	2/2006	Ishida	D13/180
D562,268 S *	2/2008	Lee et al.	D13/180
D562,272 S *	2/2008	Su et al.	D13/180

D565,752 S *	4/2008	Uemoto et al.	D26/24
D566,058 S *	4/2008	Ishida	D13/180
D566,663 S *	4/2008	Yeh	D13/180
D568,833 S *	5/2008	Li	D13/180
D572,388 S *	7/2008	Uemoto et al.	D26/24
D581,885 S *	12/2008	Ogata et al.	D13/180
D607,853 S *	1/2010	Kong	D13/180
D611,008 S *	3/2010	Hsieh	D13/180
D613,259 S *	4/2010	Lee et al.	D13/180
D623,324 S *	9/2010	Huang et al.	D26/61
D627,310 S *	11/2010	Lin et al.	D13/180
D645,830 S *	9/2011	Lo et al.	D13/180
D648,286 S *	11/2011	Chuang	D13/180
D672,323 S *	12/2012	Kono	D13/180
2011/0127566 A1 *	6/2011	Yoon	257/99

* cited by examiner

Primary Examiner — Derrick Holland

Assistant Examiner — Jennifer O King

(74) *Attorney, Agent, or Firm* — Leong C. Lei

(57) **CLAIM**

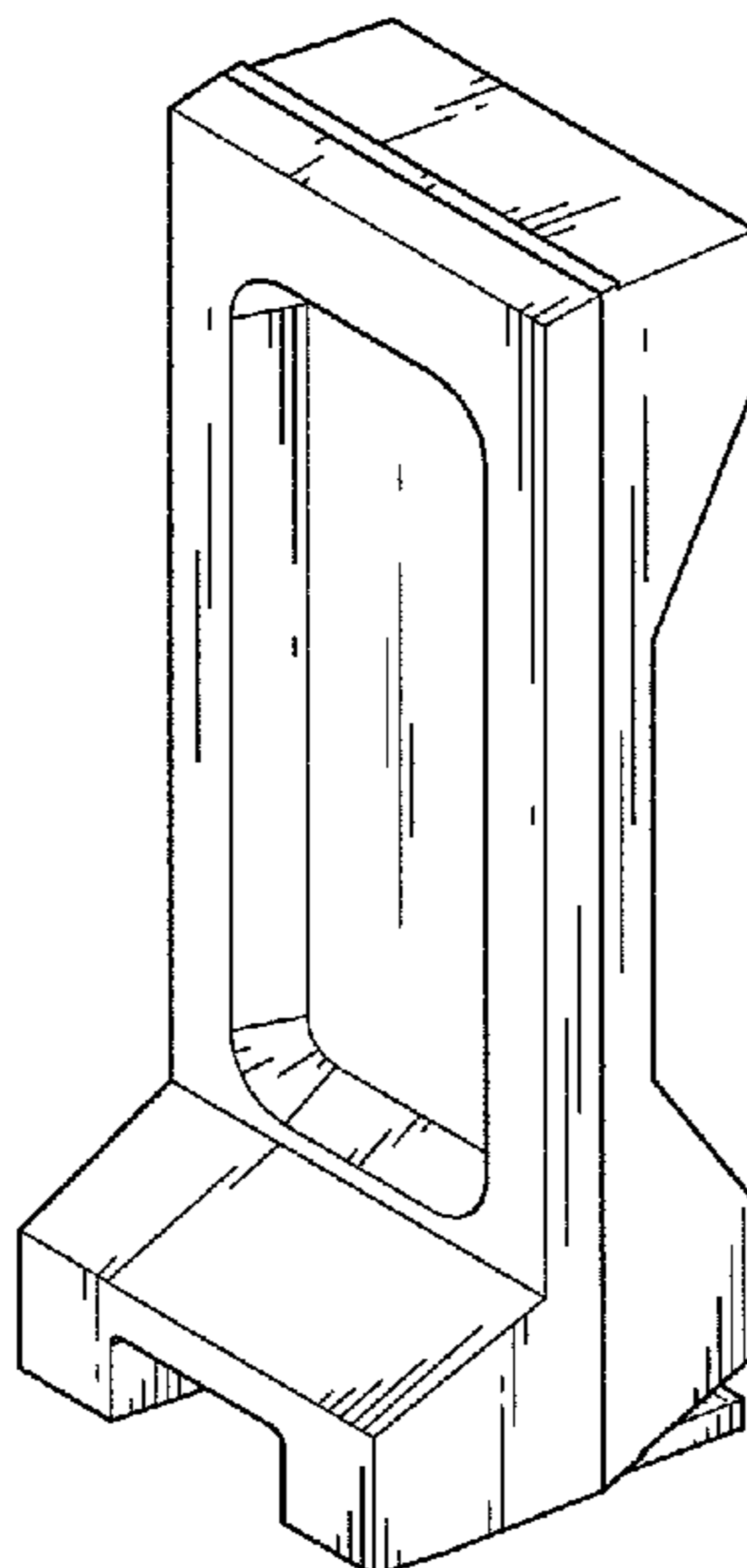
The ornamental design for an LED lamp holder, as shown and described.

DESCRIPTION

FIG. 1 is a perspective view of an LED lamp holder showing our new design;
FIG. 2 is a front elevational view thereof;
FIG. 3 is a rear elevational view thereof;
FIG. 4 is a left side view thereof;
FIG. 5 is a right side view thereof;
FIG. 6 is a top plan view thereof;
FIG. 7 is a bottom plan view thereof;
FIG. 8 is a rear perspective view thereof; and,
FIG. 9 is another perspective view thereof, showing environmental elements.

The broken lines shown represent unclaimed subject matter and form no part of the claimed design.

1 Claim, 8 Drawing Sheets



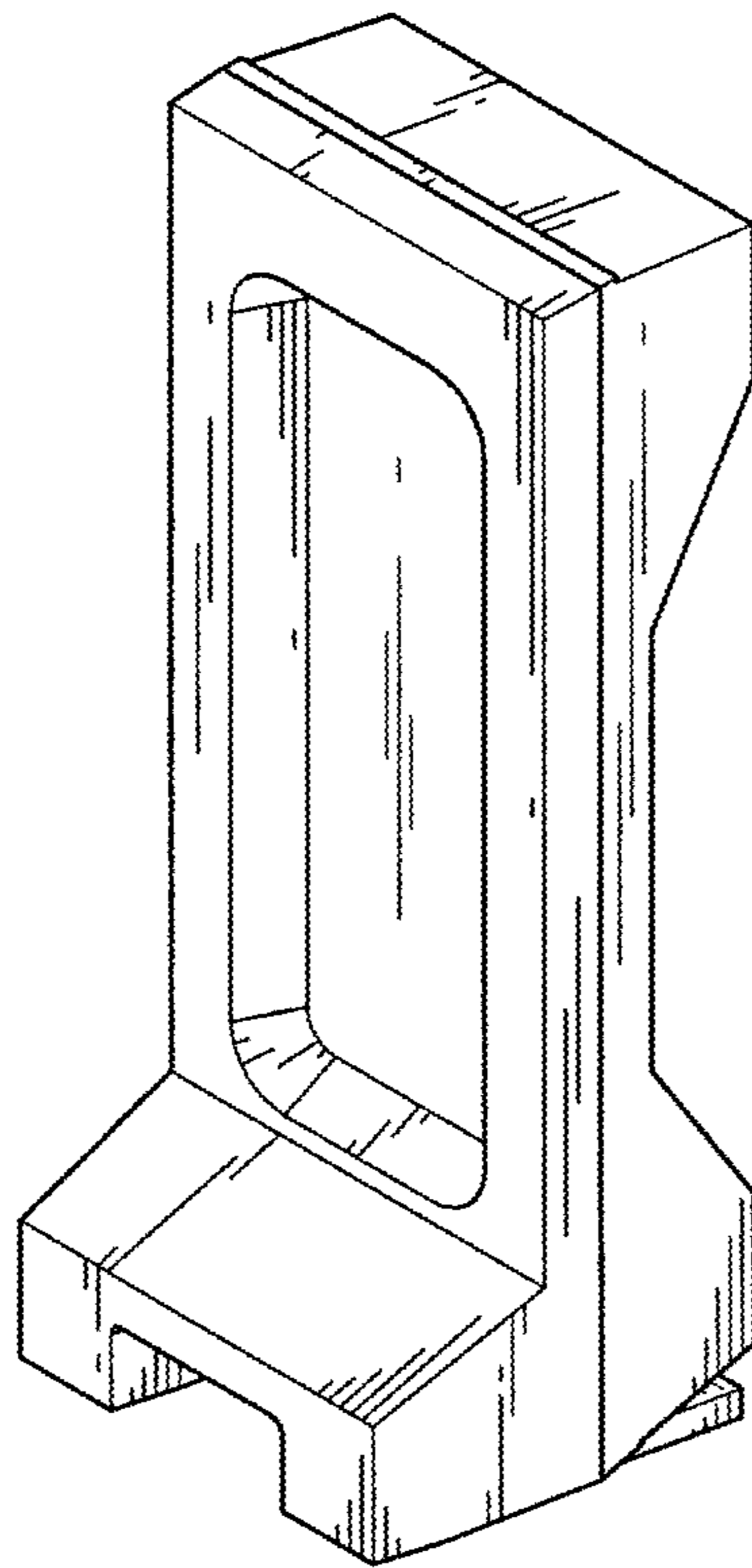


FIG. 1

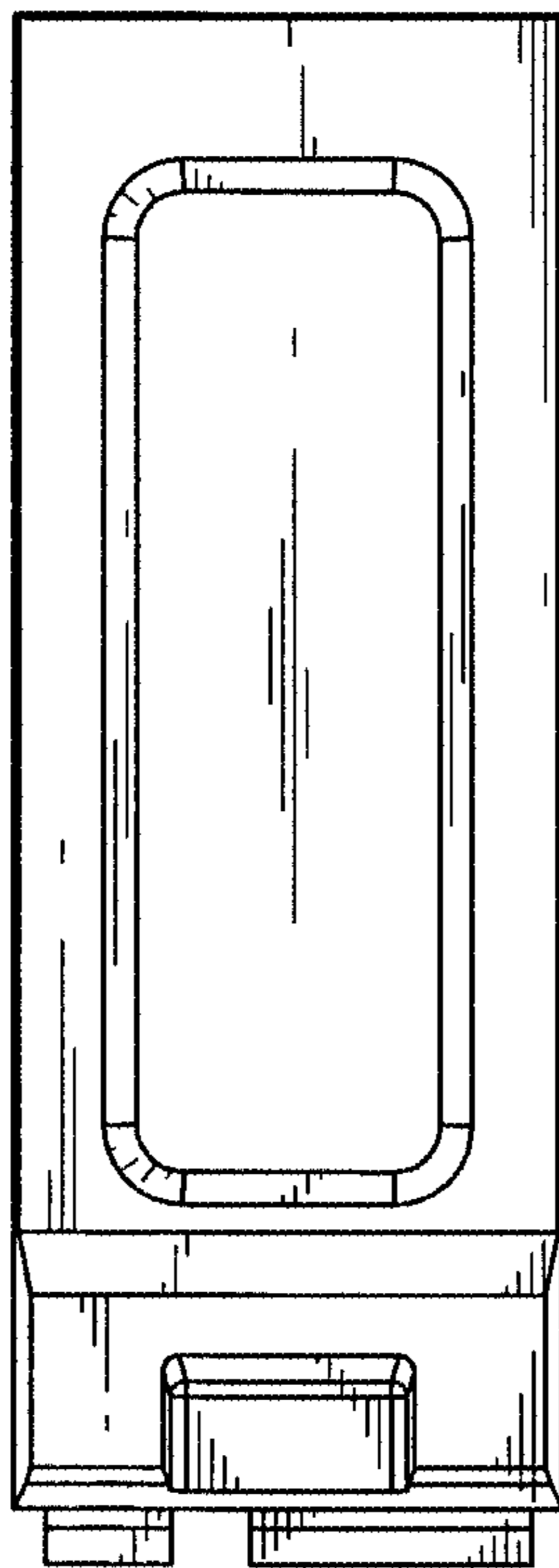


FIG. 2

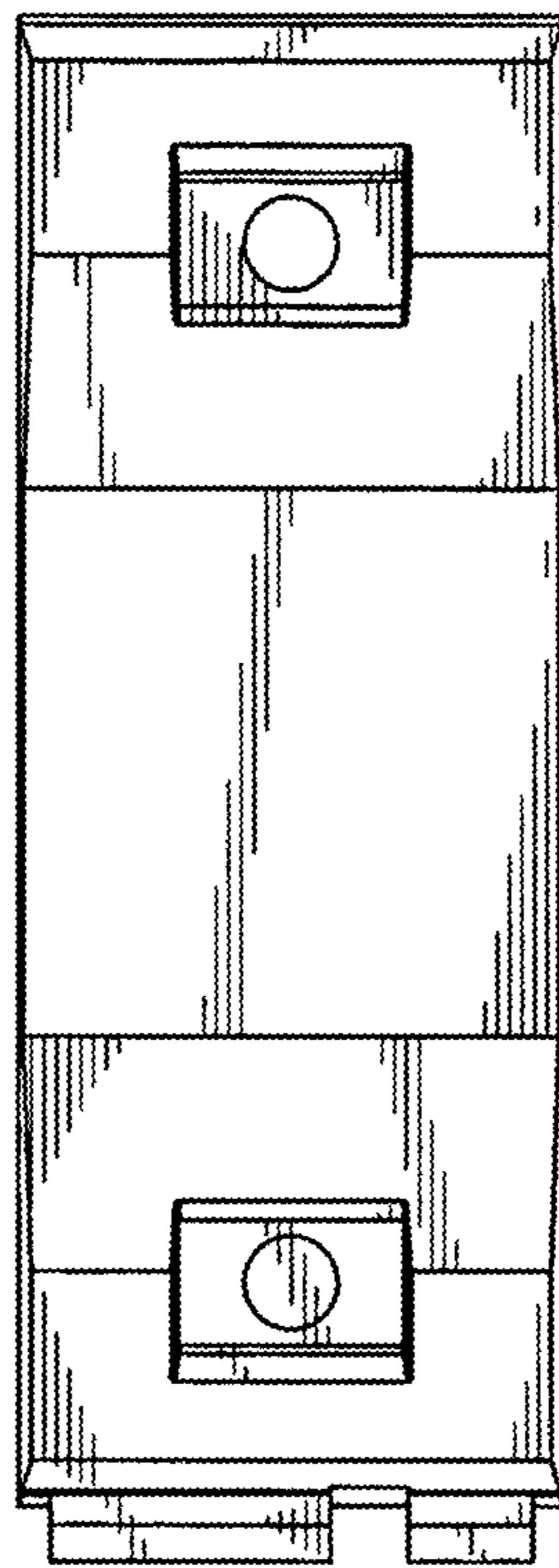


FIG. 3

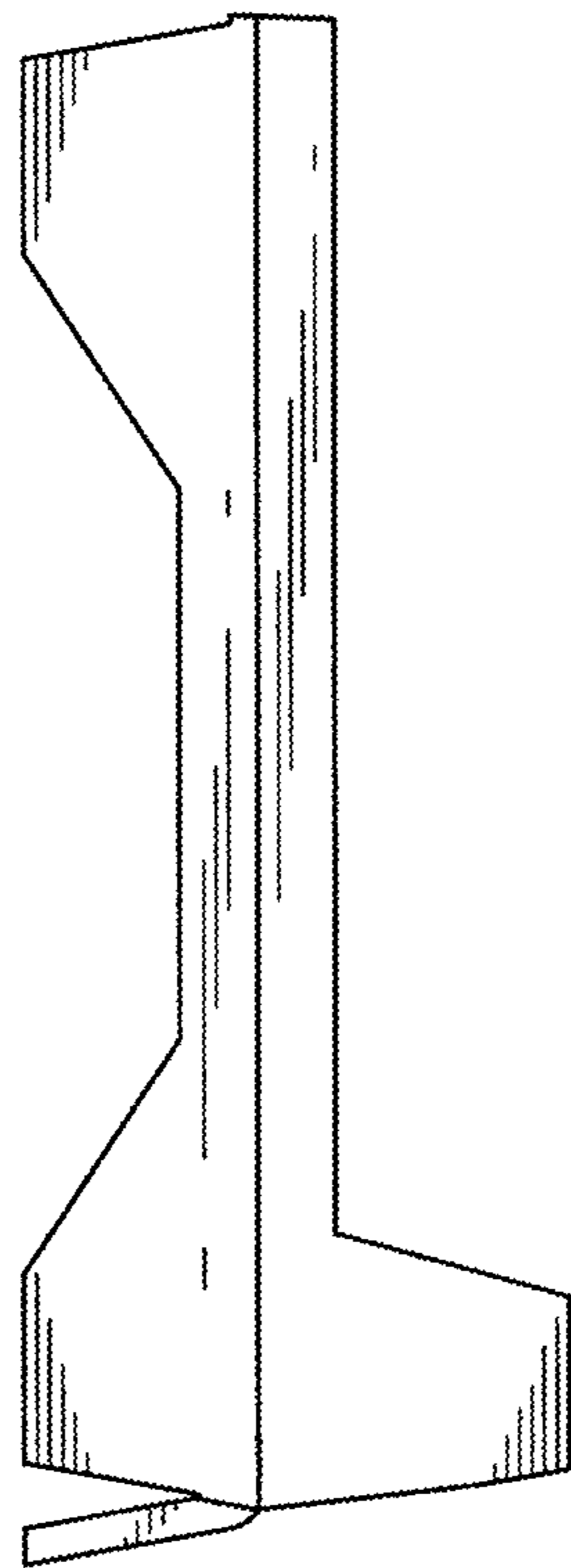


FIG. 4

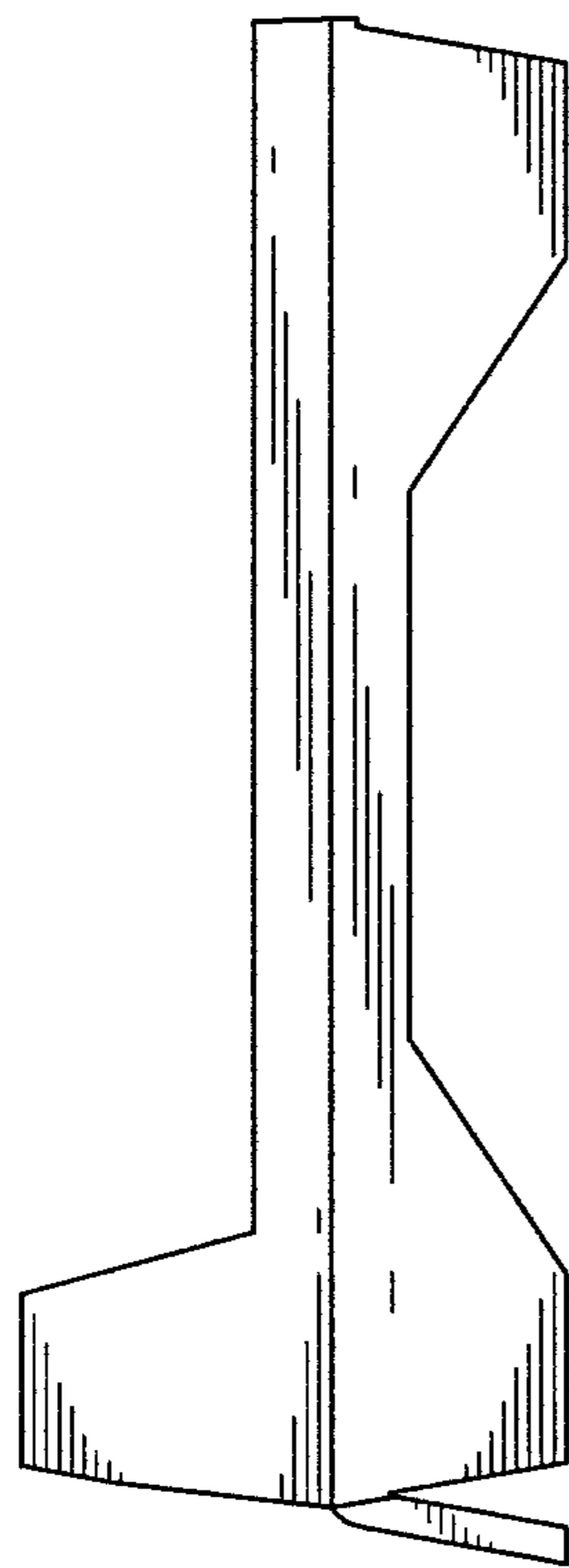


FIG. 5

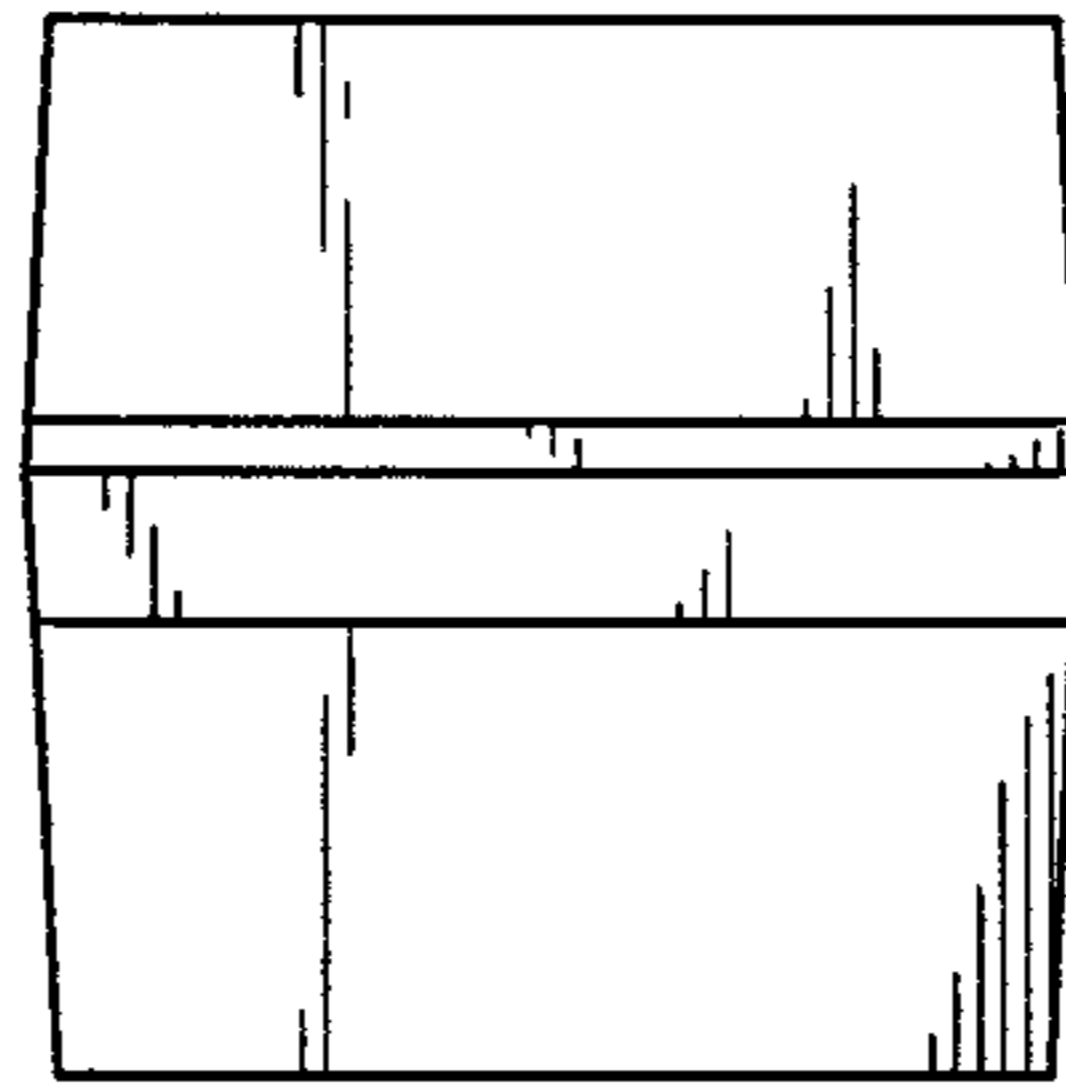


FIG. 6

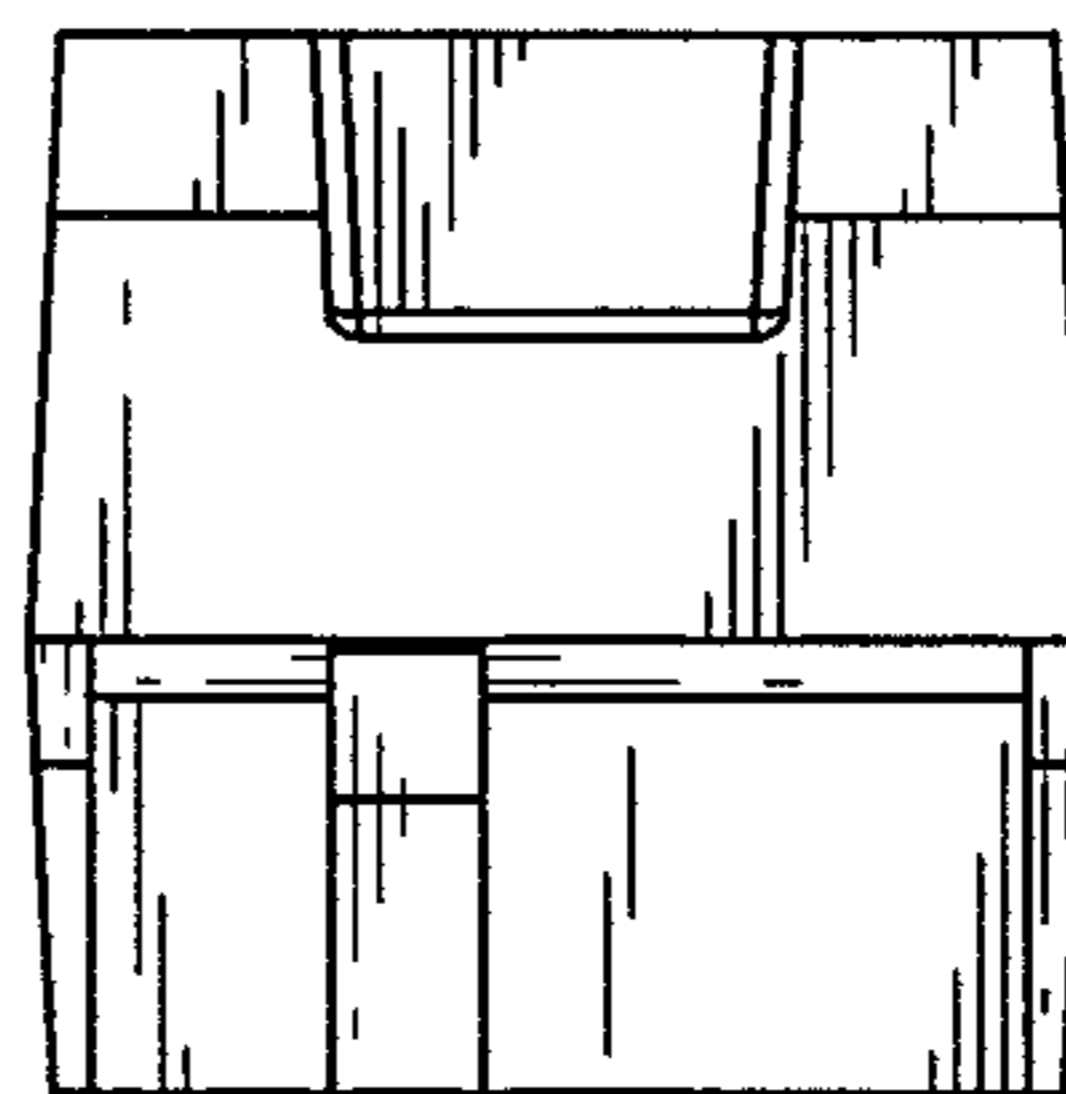


FIG. 7

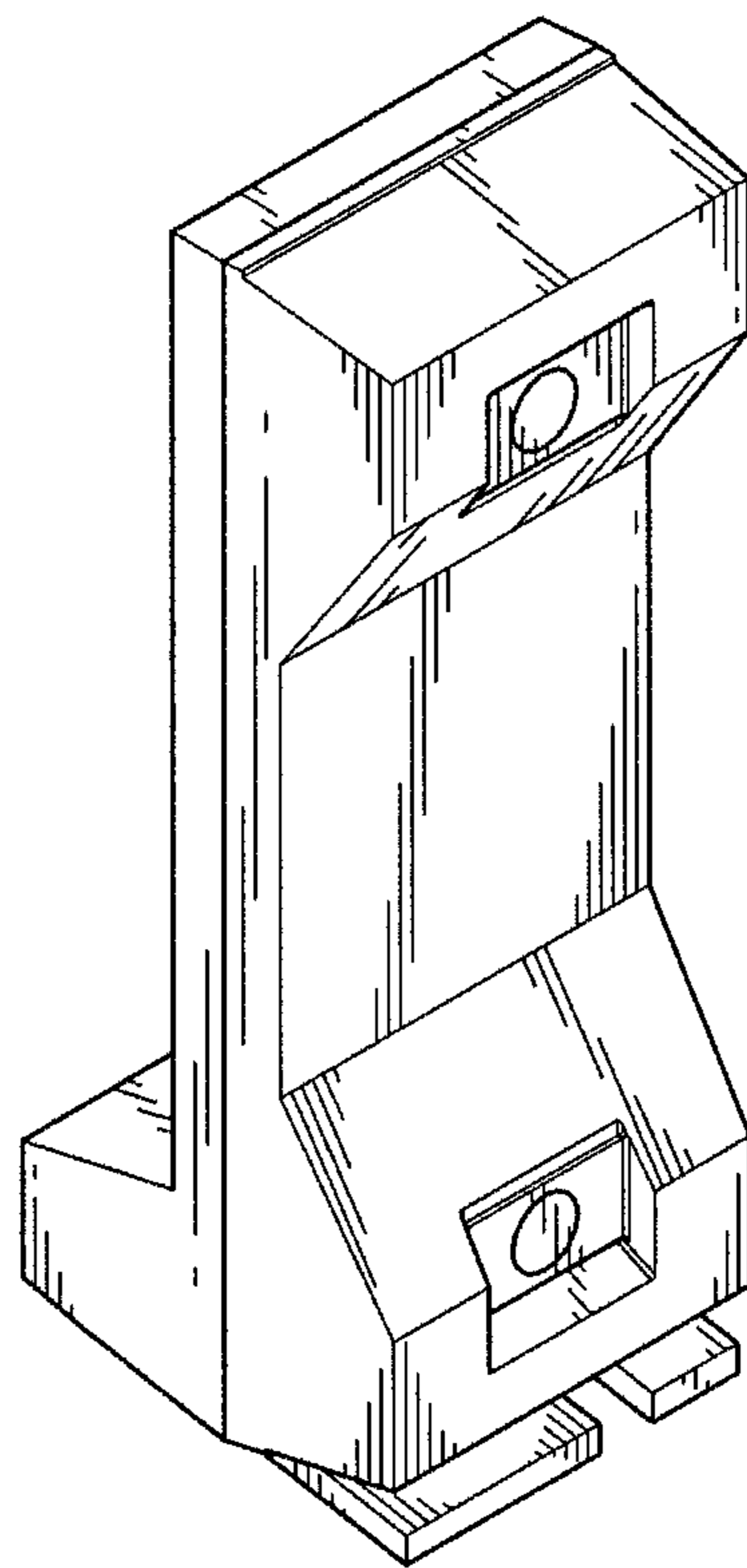


FIG. 8

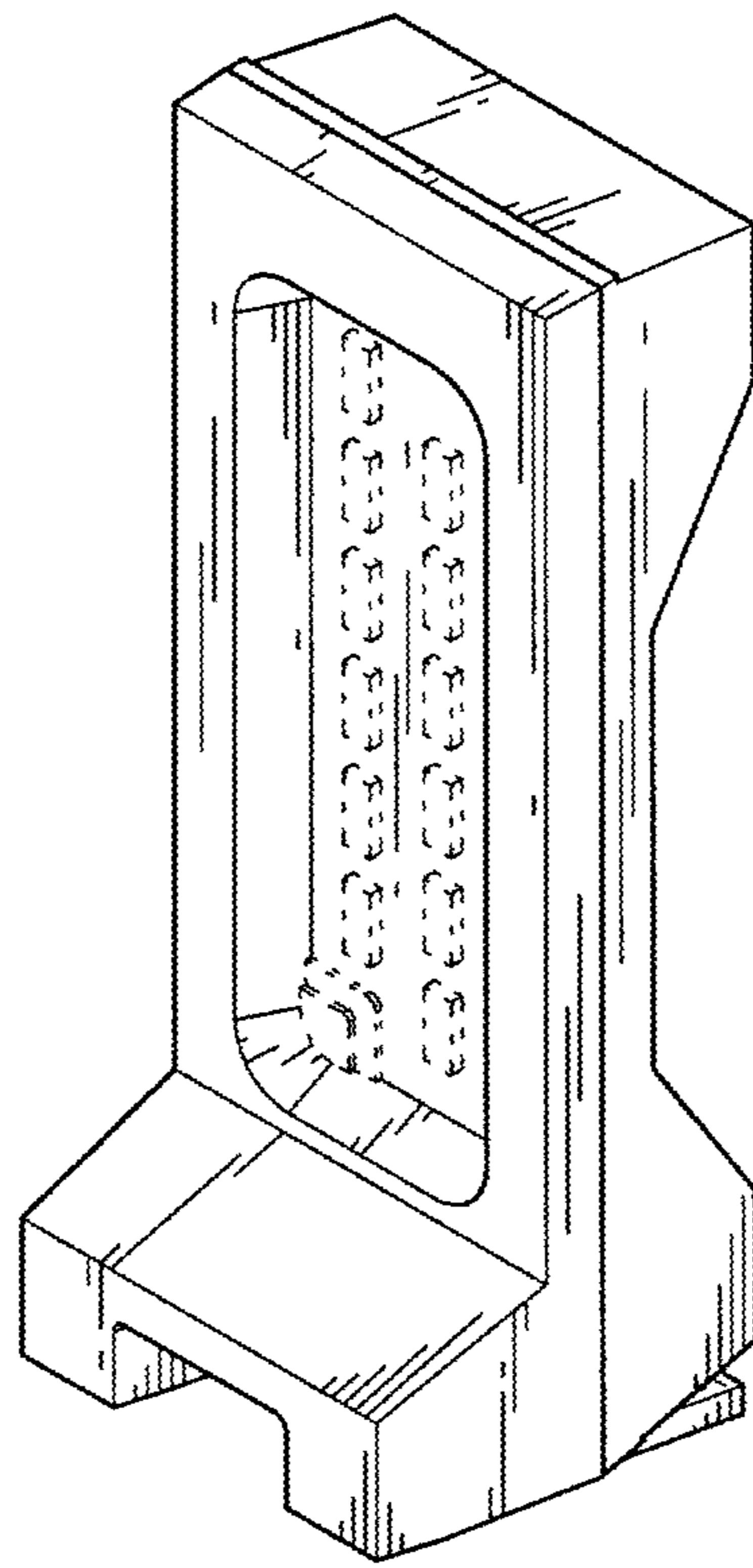


FIG. 9