



US00D728478S

(12) **United States Design Patent**  
**Vaccaro**

(10) **Patent No.:** **US D728,478 S**

(45) **Date of Patent:** **\*\* May 5, 2015**

(54) **INTERCONNECTION SEAL**

(71) Applicant: **Andrew LLC**, Hickory, NC (US)

(72) Inventor: **Ronald Alan Vaccaro**, Shorewood, IL (US)

(73) Assignee: **CommScope Technologies LLC**, Hickory, NC (US)

(\*\*) Term: **14 Years**

(21) Appl. No.: **29/473,106**

(22) Filed: **Nov. 19, 2013**

(51) **LOC (10) Cl.** ..... **13-03**

(52) **U.S. Cl.**  
USPC ..... **D13/133**

(58) **Field of Classification Search**  
CPC .... H01R 13/52; H01R 9/0518; H01R 9/0521;  
H02G 1/14; B29C 45/00  
USPC ..... D13/118, 120, 123, 126, 127, 133-135,  
D13/144, 153, 154, 156, 184, 199; D8/82,  
D8/86; 439/275, 585; 264/328.1; 29/858  
See application file for complete search history.

(56) **References Cited**

**U.S. PATENT DOCUMENTS**

D59,021 S \* 9/1921 Marko ..... D13/120  
D512,023 S \* 11/2005 Bachmann ..... D13/149

D566,653 S \* 4/2008 Sakamoto ..... D13/133  
D659,126 S \* 5/2012 Scheimberg ..... D14/223  
D671,899 S \* 12/2012 Verhoeven et al. .... D13/156  
D680,081 S \* 4/2013 Yamauchi et al. .... D13/156  
D716,733 S \* 11/2014 Nagasawa et al. .... D13/134  
2004/0126552 A1 \* 7/2004 Summer ..... 428/221  
2009/0233483 A1 \* 9/2009 Huixiong et al. .... 439/585  
2011/0315906 A1 \* 12/2011 Ohuchi et al. .... 251/129.11  
2013/0273762 A1 \* 10/2013 Natoli ..... 439/275  
2015/0017827 A1 \* 1/2015 Vaccaro ..... 439/275

\* cited by examiner

*Primary Examiner* — Thomas Johannes

*Assistant Examiner* — Shawn T Gingrich

(74) *Attorney, Agent, or Firm* — Babcock IP, PLLC

(57) **CLAIM**

The ornamental design for an interconnection seal, as shown and described.

**DESCRIPTION**

FIG. 1 is a perspective back view of the interconnection seal showing my new design;

FIG. 2 is a perspective front view thereof;

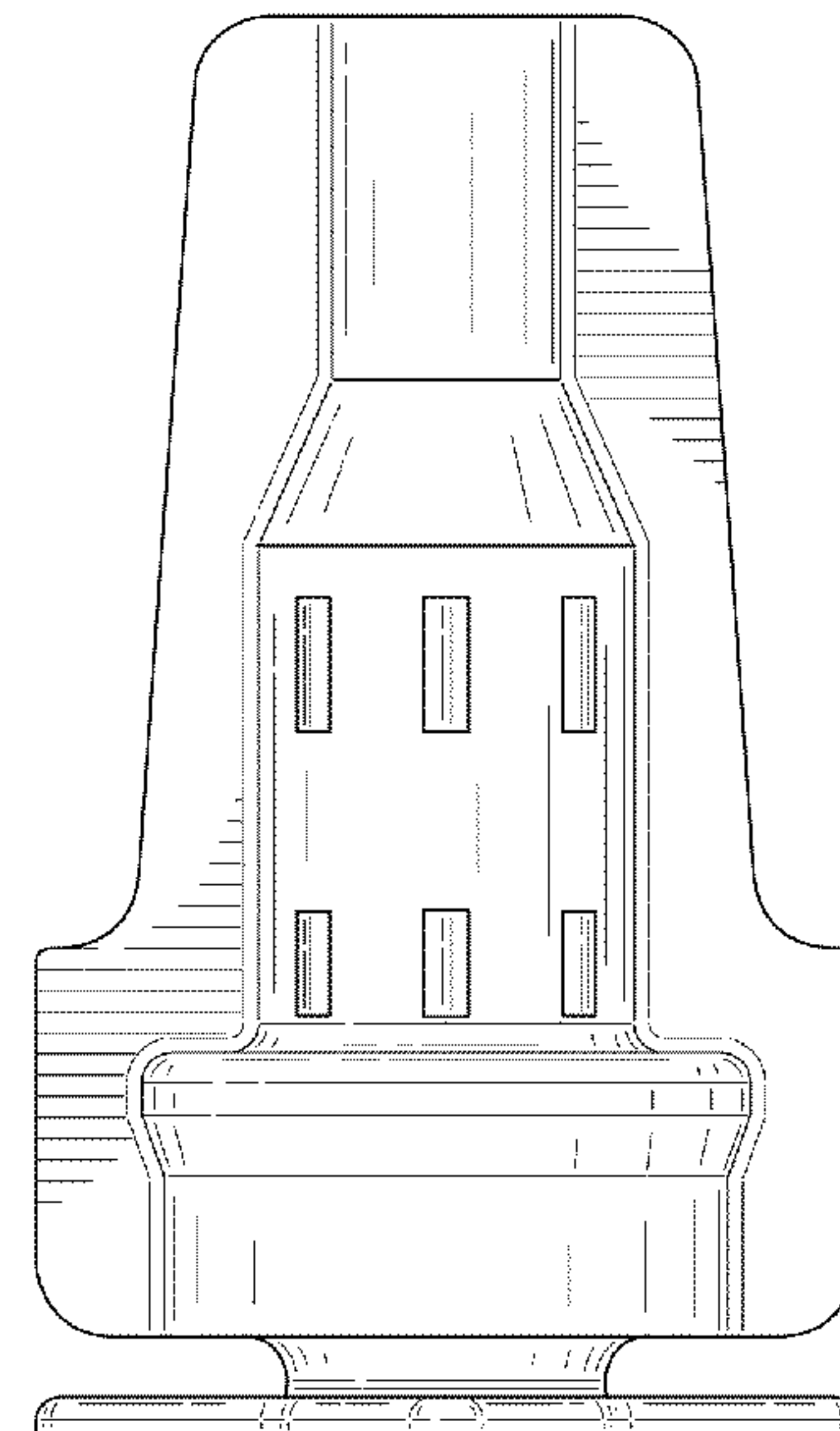
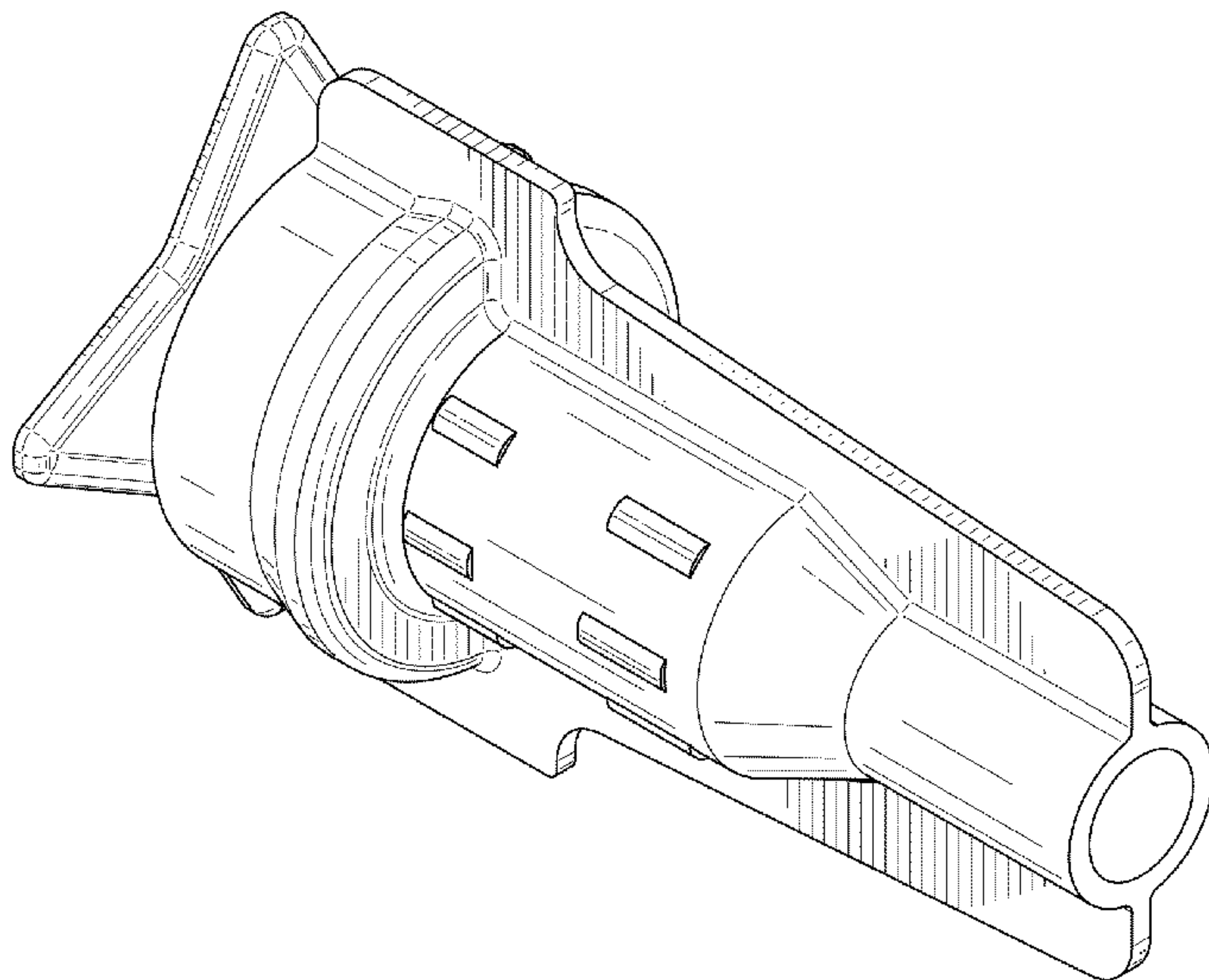
FIG. 3 is a left side view thereof, the right side being a mirror image;

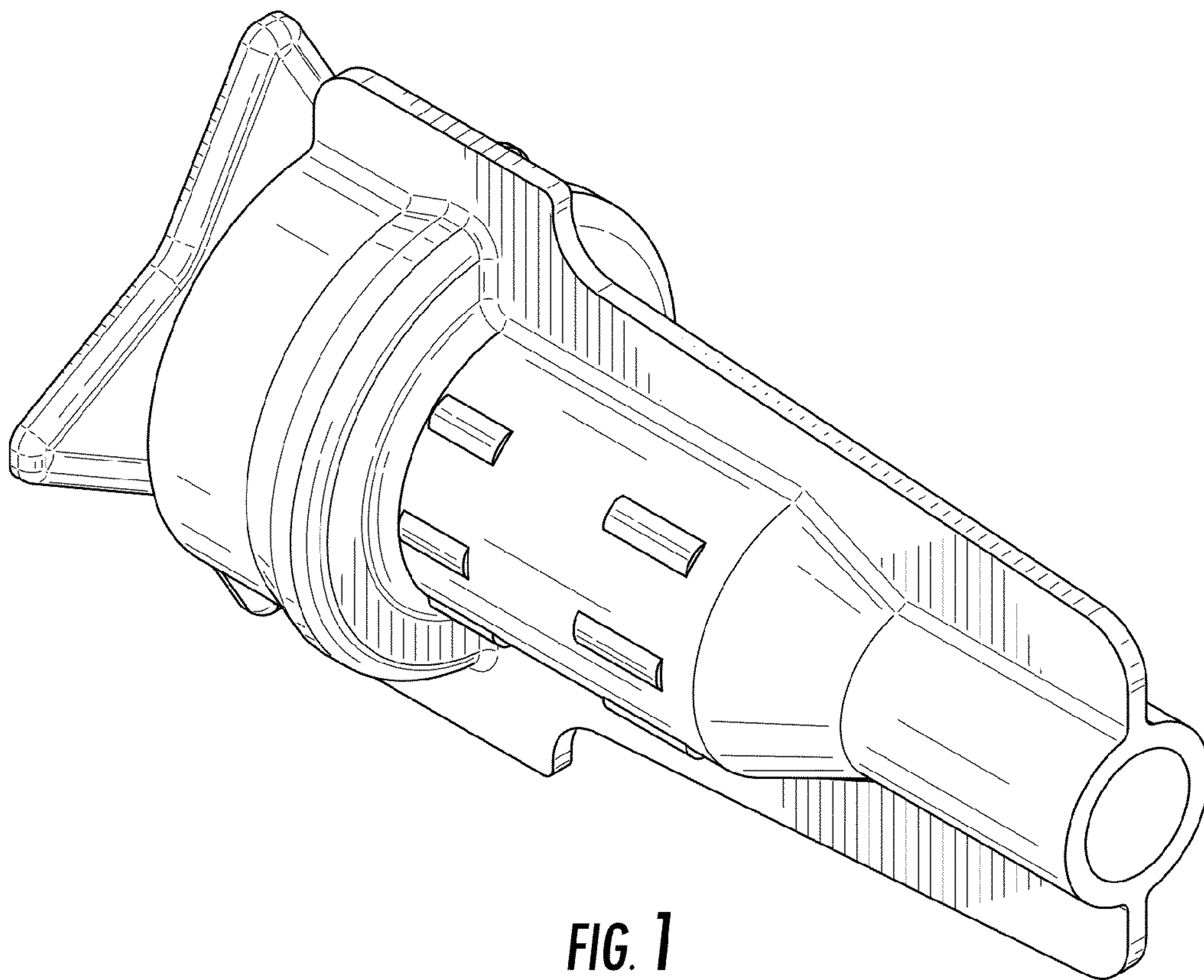
FIG. 4 is a top side view thereof, the bottom side being a mirror image;

FIG. 5 is a back view thereof; and,

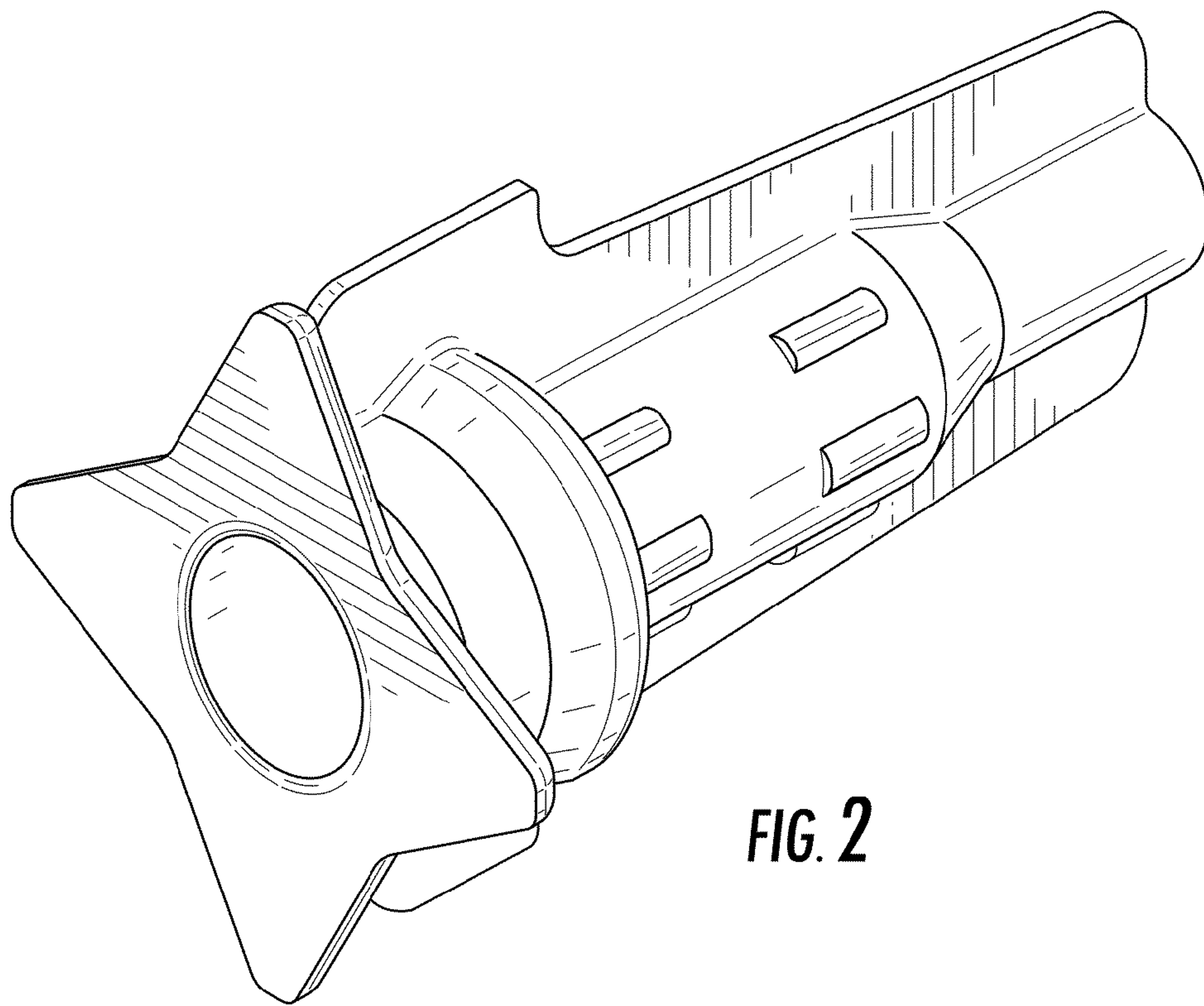
FIG. 6 is a front view thereof.

**1 Claim, 5 Drawing Sheets**

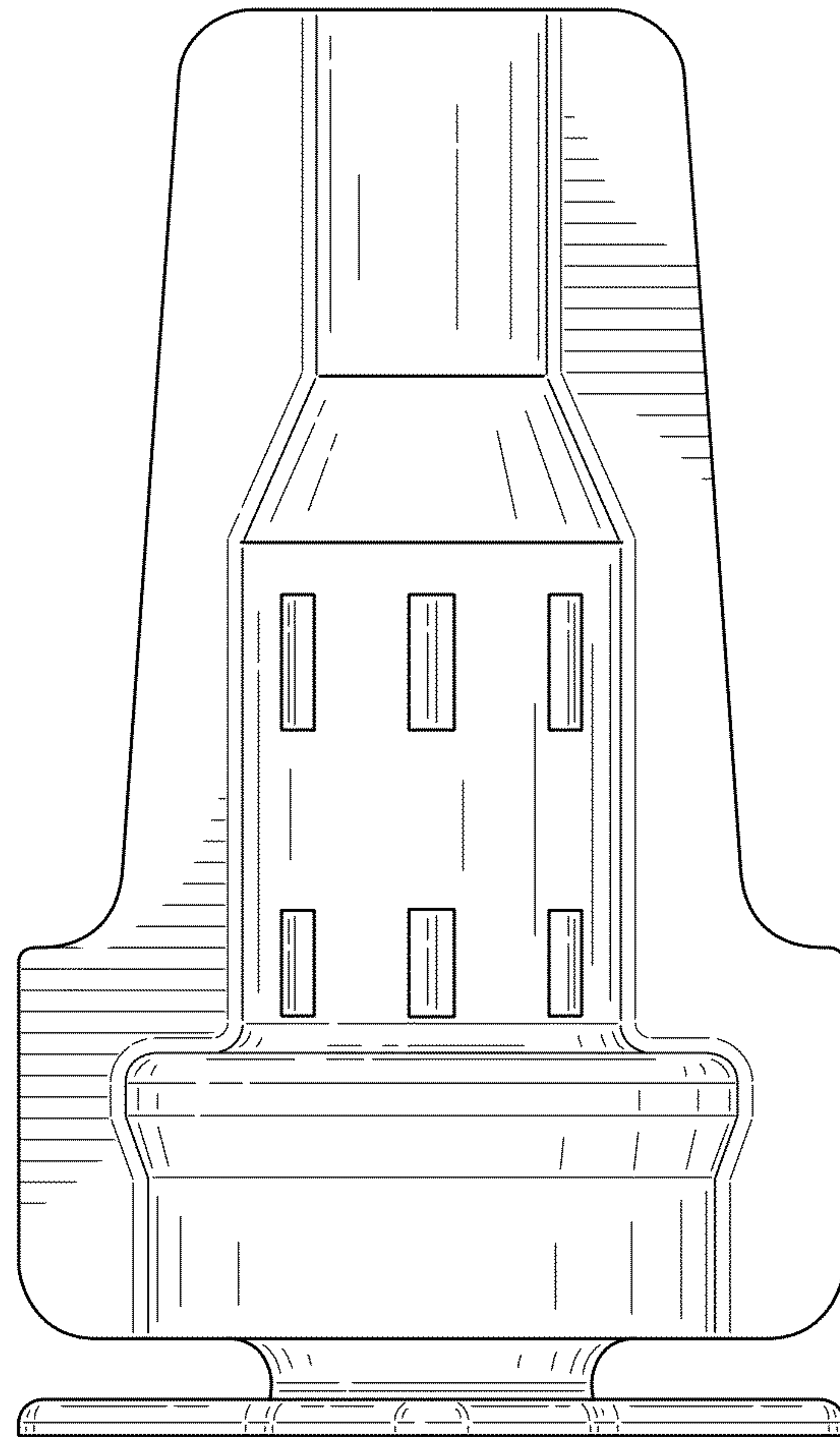




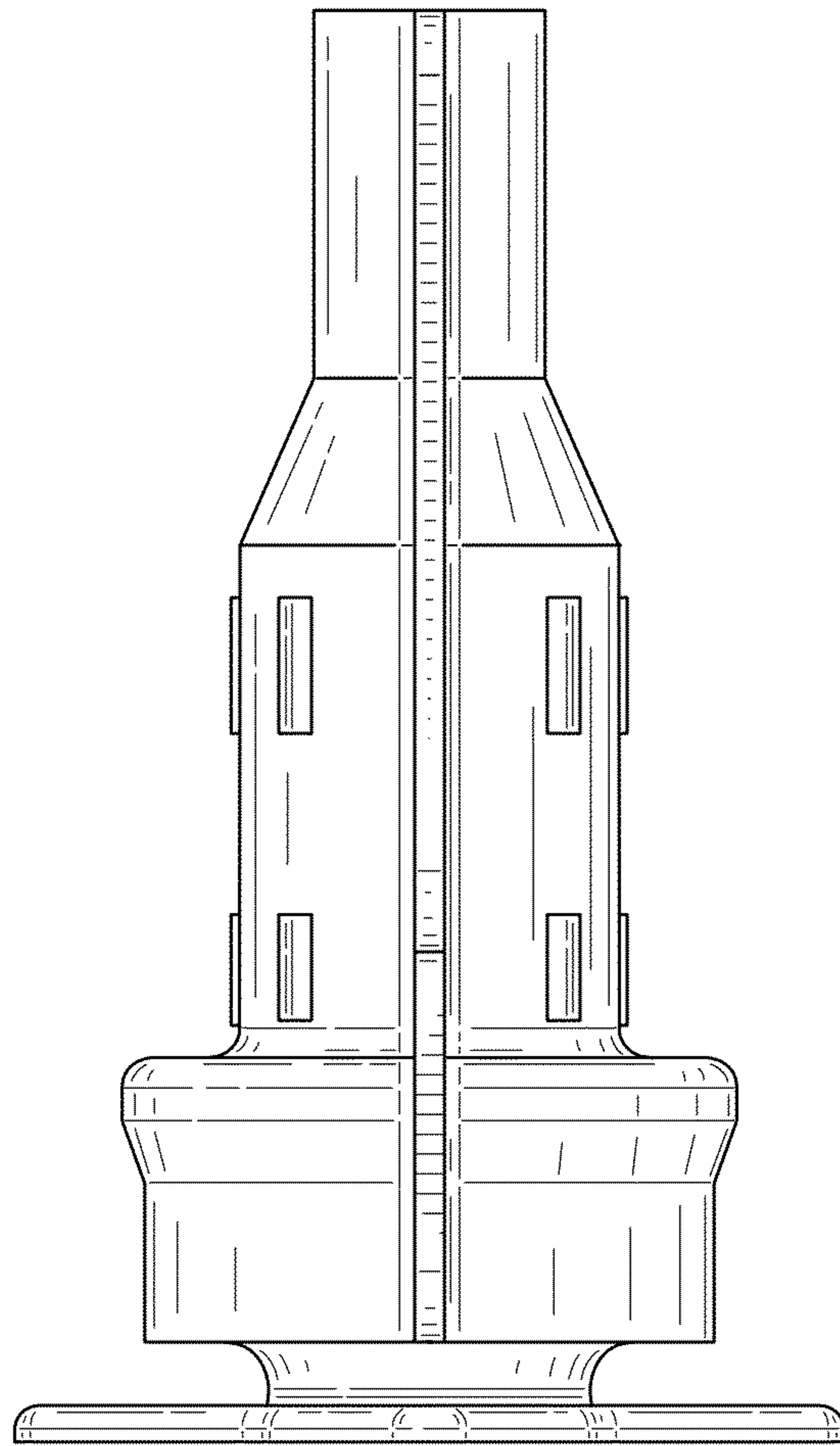
**FIG. 1**



**FIG. 2**

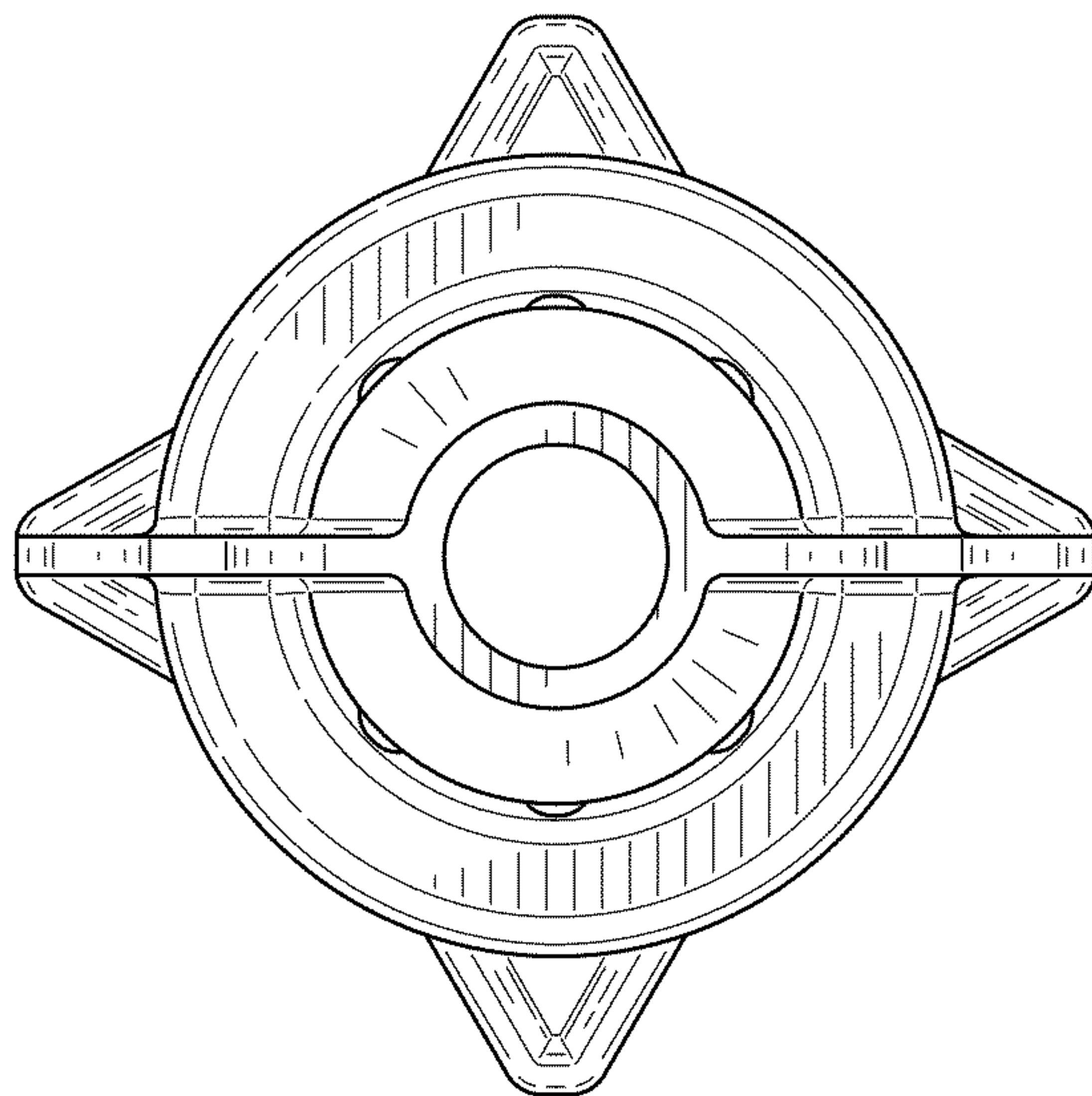


**FIG. 3**

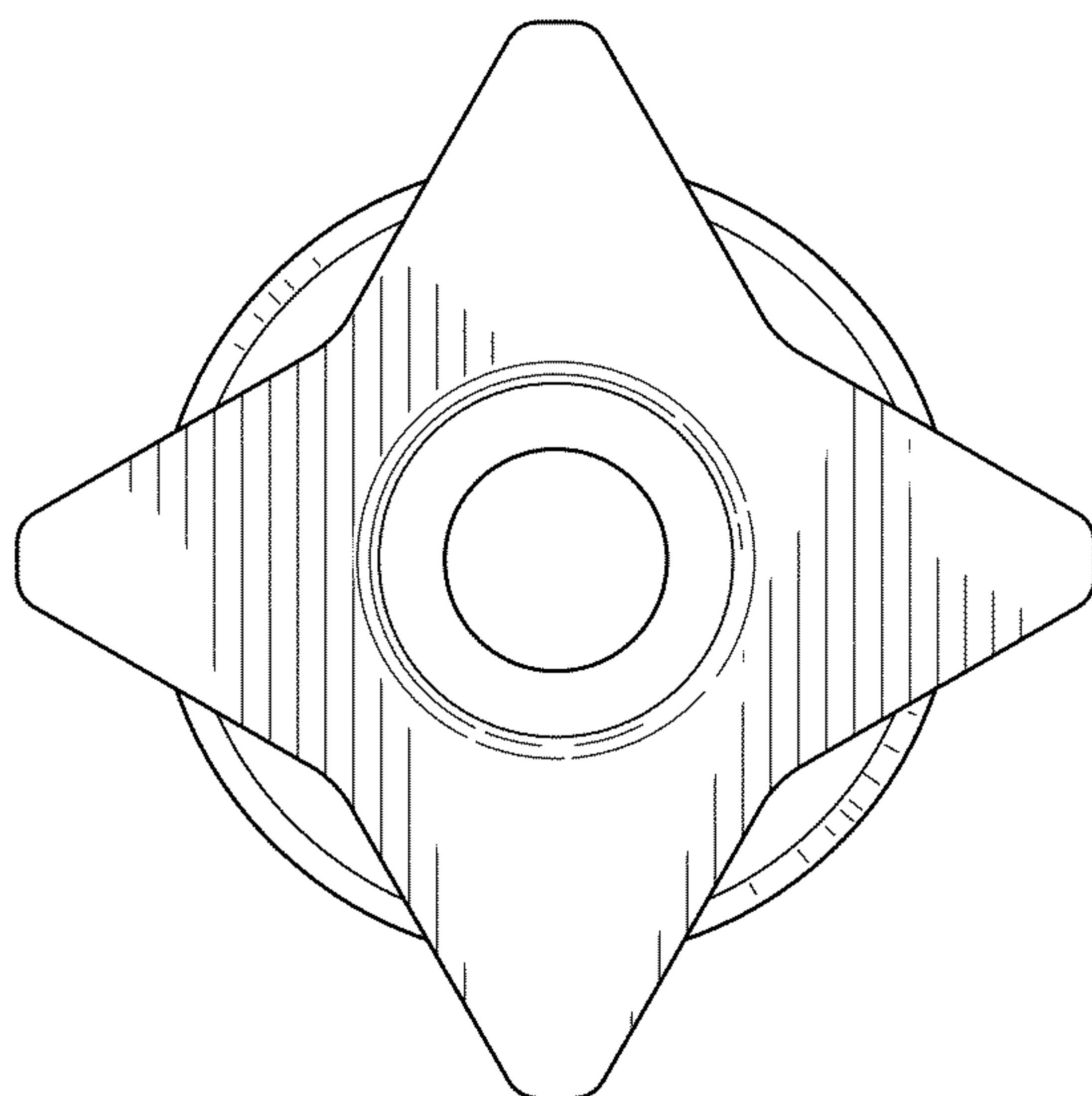


**FIG. 4**





**FIG. 5**



**FIG. 6**