



US00D728476S

(12) **United States Design Patent**
Xie et al.

(10) **Patent No.:** **US D728,476 S**

(45) **Date of Patent:** **** May 5, 2015**

(54) **BATTERY CONNECTOR**

(71) Applicant: **Cheng Uei Precision Industry Co., Ltd.**, New Taipei (TW)

(72) Inventors: **Bao-Geng Xie**, Dong-Guan (CN);
Wei-Hong Liao, Dong-Guan (CN);
Yin-Lung Wu, New Taipei (TW)

(73) Assignee: **Cheng Uei Precision Industry Co., Ltd.**, New Taipei (TW)

(**) Term: **14 Years**

(21) Appl. No.: **29/451,548**

(22) Filed: **Apr. 4, 2013**

(51) **LOC (10) Cl.** **13-02**

(52) **U.S. Cl.**
USPC **D13/120**

(58) **Field of Classification Search**
CPC Y02E 60/12; Y02E 60/122; Y02E 60/124;
Y02E 60/50; H01M 2/02; H01M 2/022;
H01M 2/0202; H01M 2/0207; H01M 2/0212;
H01M 2/1061; H01M 2/1022; H01M 2/1055;
H01M 2/1066; H01M 2/105; H01M 2/204;
H01M 10/4257; H01M 10/0436; H01M 10/48;
H01R 13/05; H01R 13/052; H01R 13/055;
H01R 13/057; H01R 13/516; H01R 13/518
USPC D13/102–106, 110, 119–121, 133,
D13/146–147, 154, 184; 429/96–100, 163,
429/176, 862, 83, 66, 660

See application file for complete search history.

(56) **References Cited**

U.S. PATENT DOCUMENTS

D455,126	S	*	4/2002	Wu	D13/147
D486,448	S	*	2/2004	Watanabe et al.	D13/120
D529,443	S	*	10/2006	Chien	D13/147
D558,671	S	*	1/2008	Chen	D13/120
D559,180	S	*	1/2008	Lai et al.	D13/120
D561,100	S	*	2/2008	Hsu et al.	D13/120
D562,241	S	*	2/2008	Hsu et al.	D13/146
D563,322	S	*	3/2008	Ma	D13/146
7,357,665	B1	*	4/2008	Yan	439/500
D571,724	S	*	6/2008	Chen et al.	D13/120
7,390,229	B2	*	6/2008	Huang et al.	439/862
7,628,660	B2	*	12/2009	Ma	439/862
D617,270	S	*	6/2010	Mai	D13/120
D618,173	S	*	6/2010	Wang et al.	D13/120
D620,434	S	*	7/2010	Lu et al.	D13/120
D660,233	S	*	5/2012	Wu et al.	D13/120
2007/0224890	A1	*	9/2007	Chien et al.	439/862

* cited by examiner

Primary Examiner — Rosemary K Tarcza

(74) *Attorney, Agent, or Firm* — Cheng-Ju Chiang

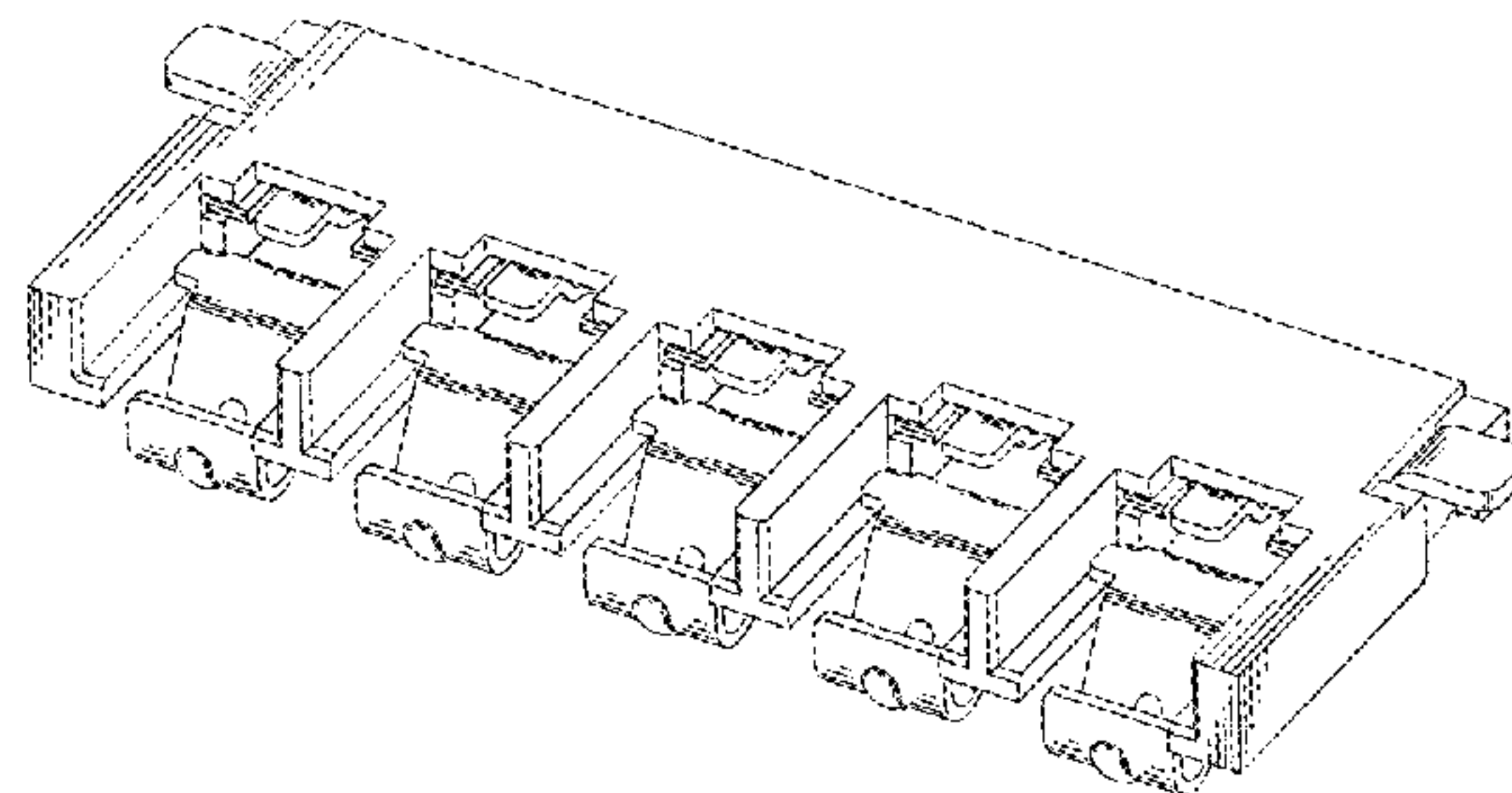
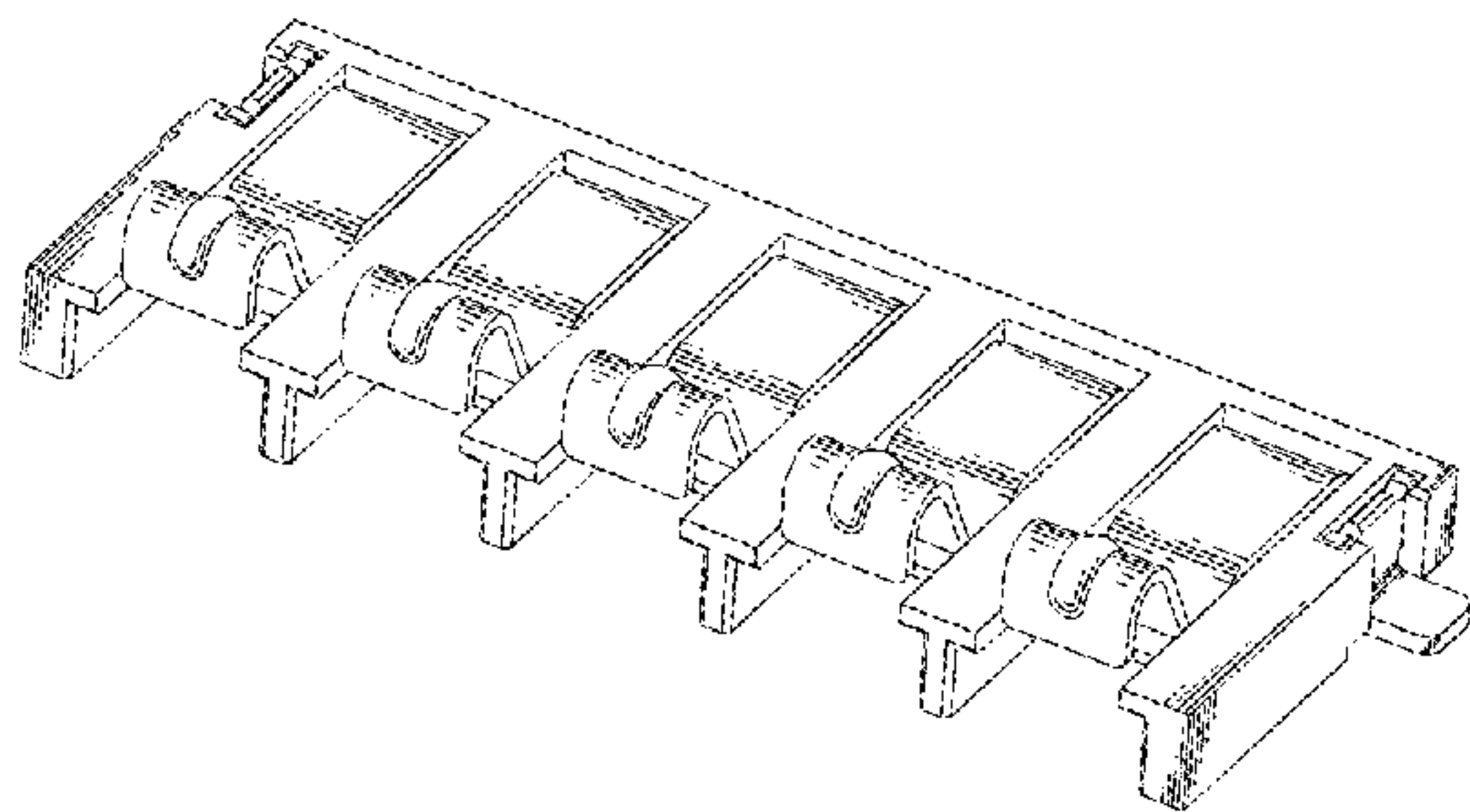
(57) **CLAIM**

The ornamental design for a battery connector, as shown and described.

DESCRIPTION

FIG. 1 is a perspective view of a battery connector showing our new design;
FIG. 2 is a front elevational view thereof;
FIG. 3 is a rear elevational view thereof;
FIG. 4 is a left side elevational view thereof;
FIG. 5 is a right side elevational view thereof;
FIG. 6 is a top plan view thereof;
FIG. 7 is a bottom plan view thereof; and,
FIG. 8 is another perspective view of the battery connector showing our new design.

1 Claim, 8 Drawing Sheets



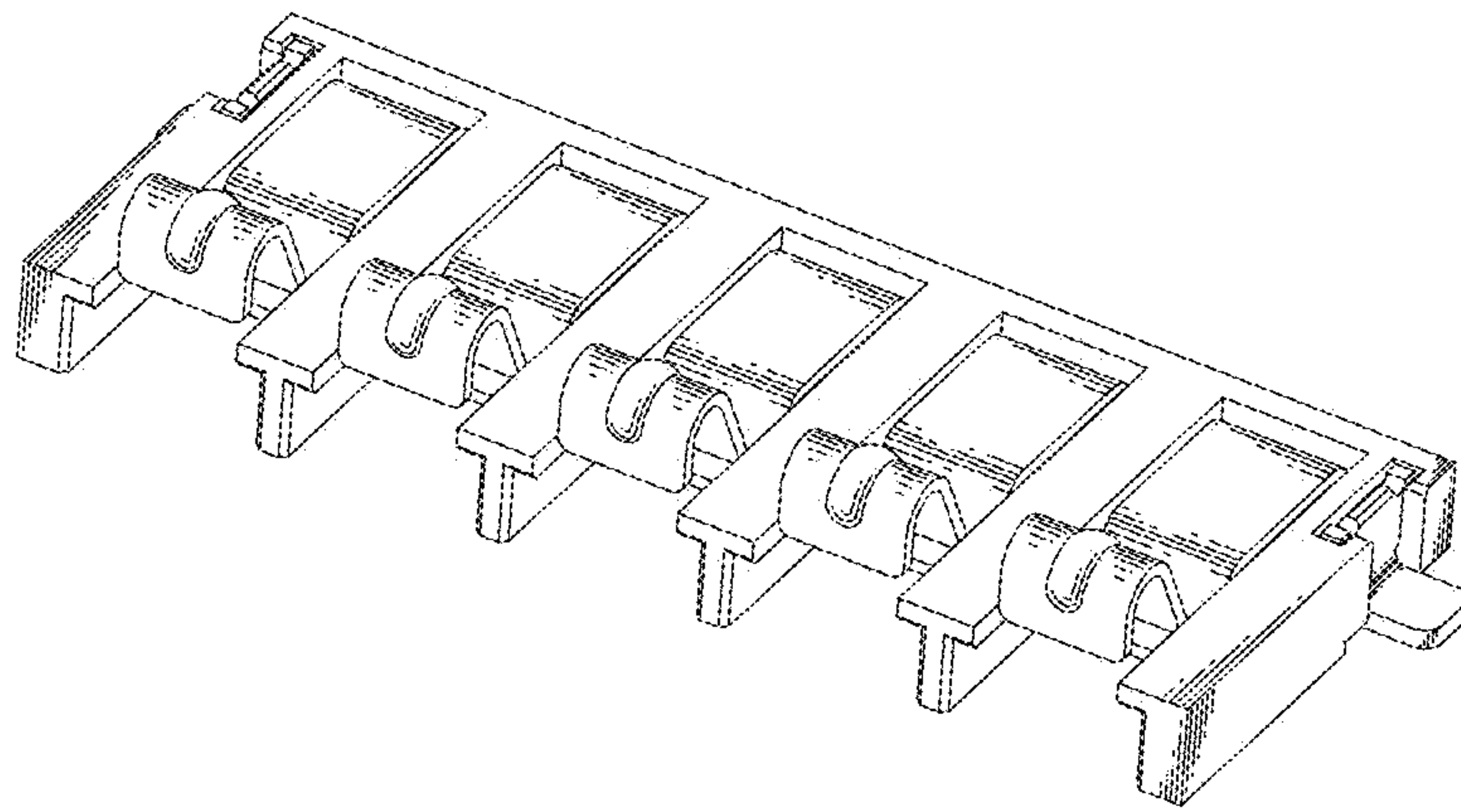


FIG. 1

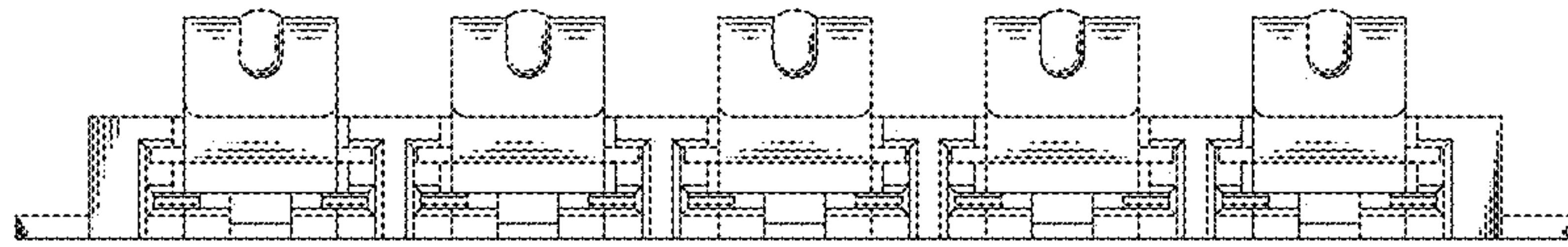


FIG. 2

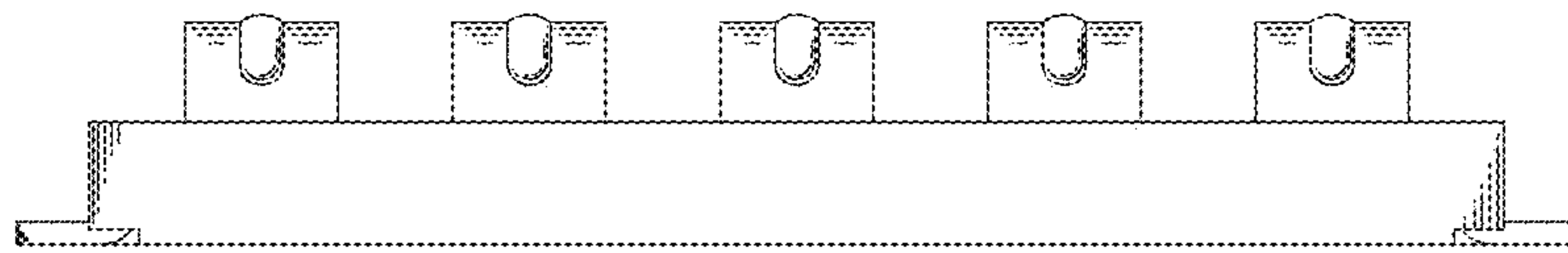


FIG. 3

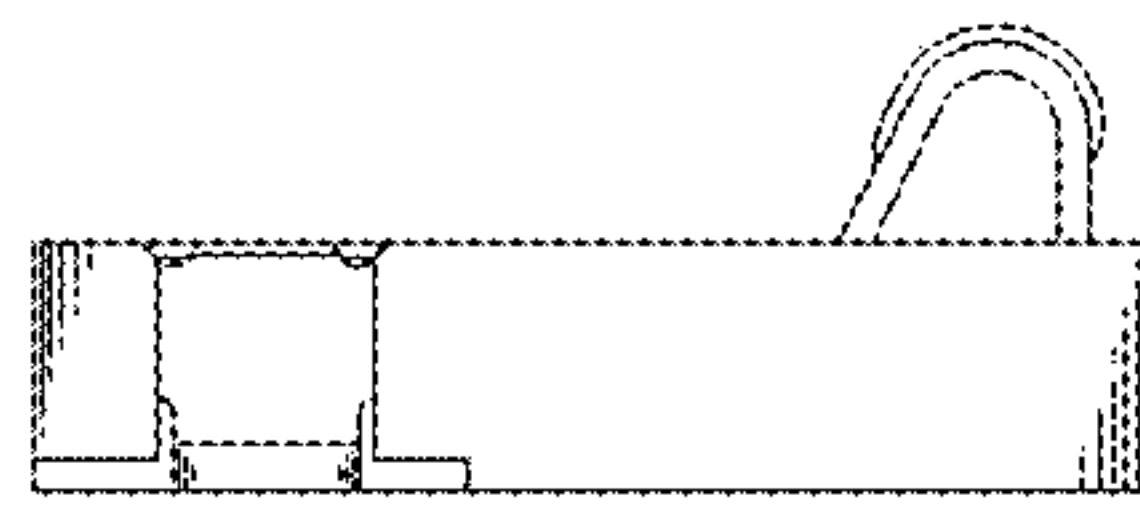


FIG. 4

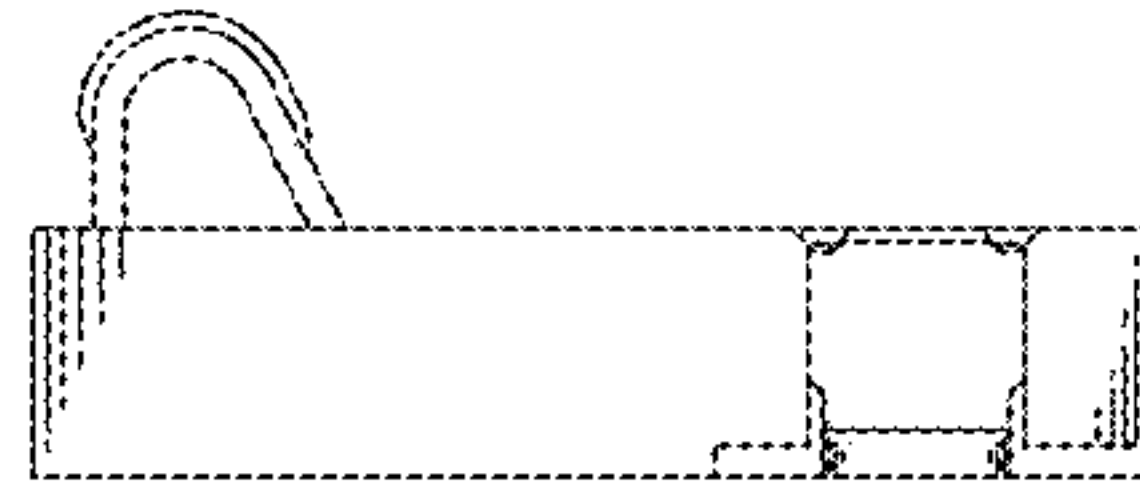


FIG. 5

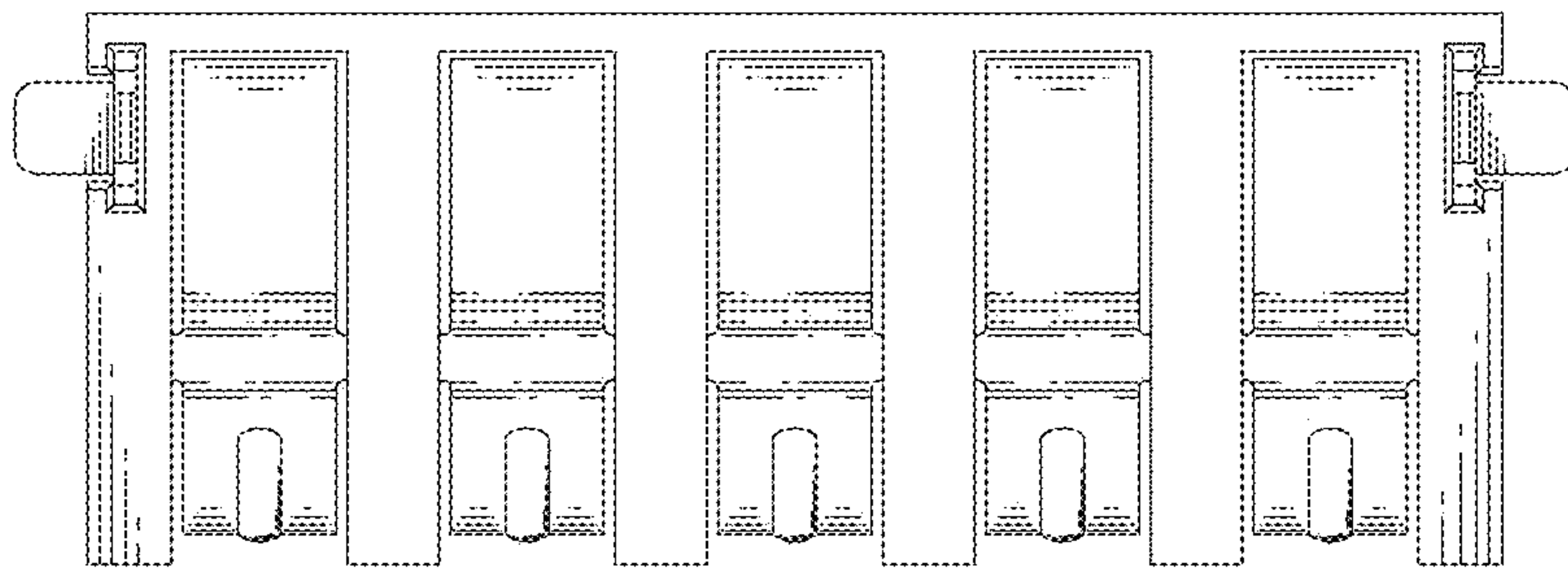


FIG. 6

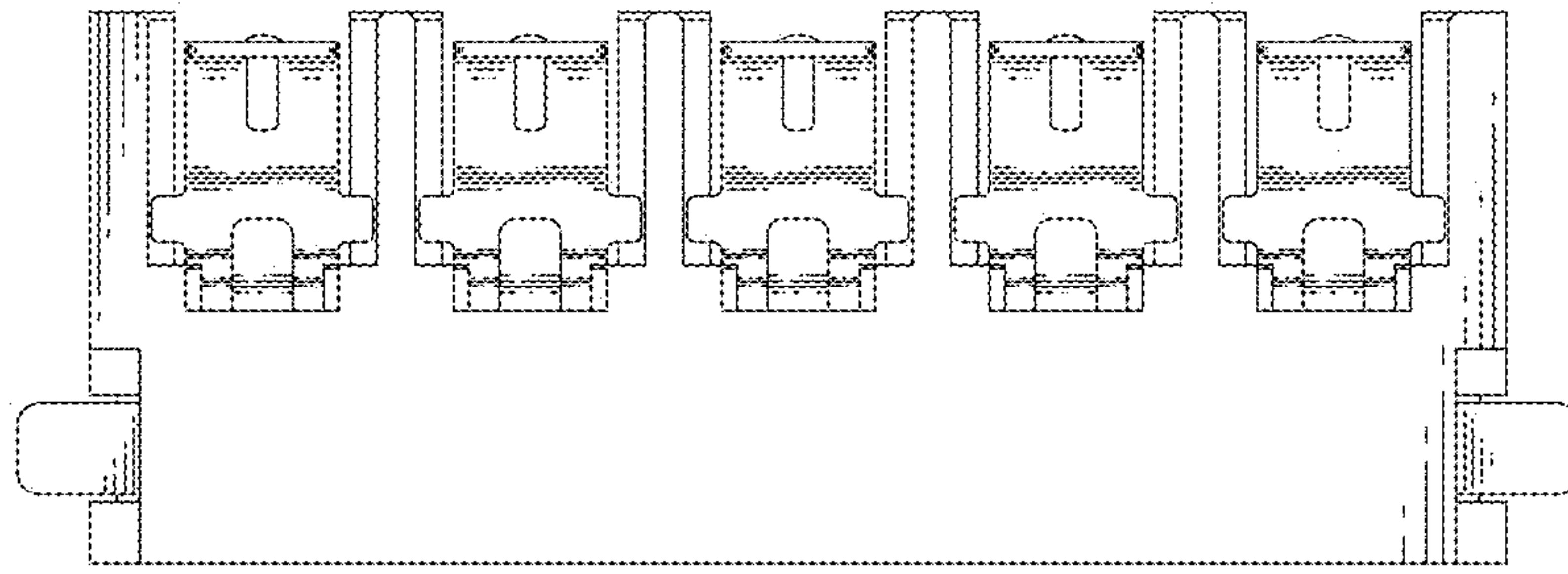


FIG. 7

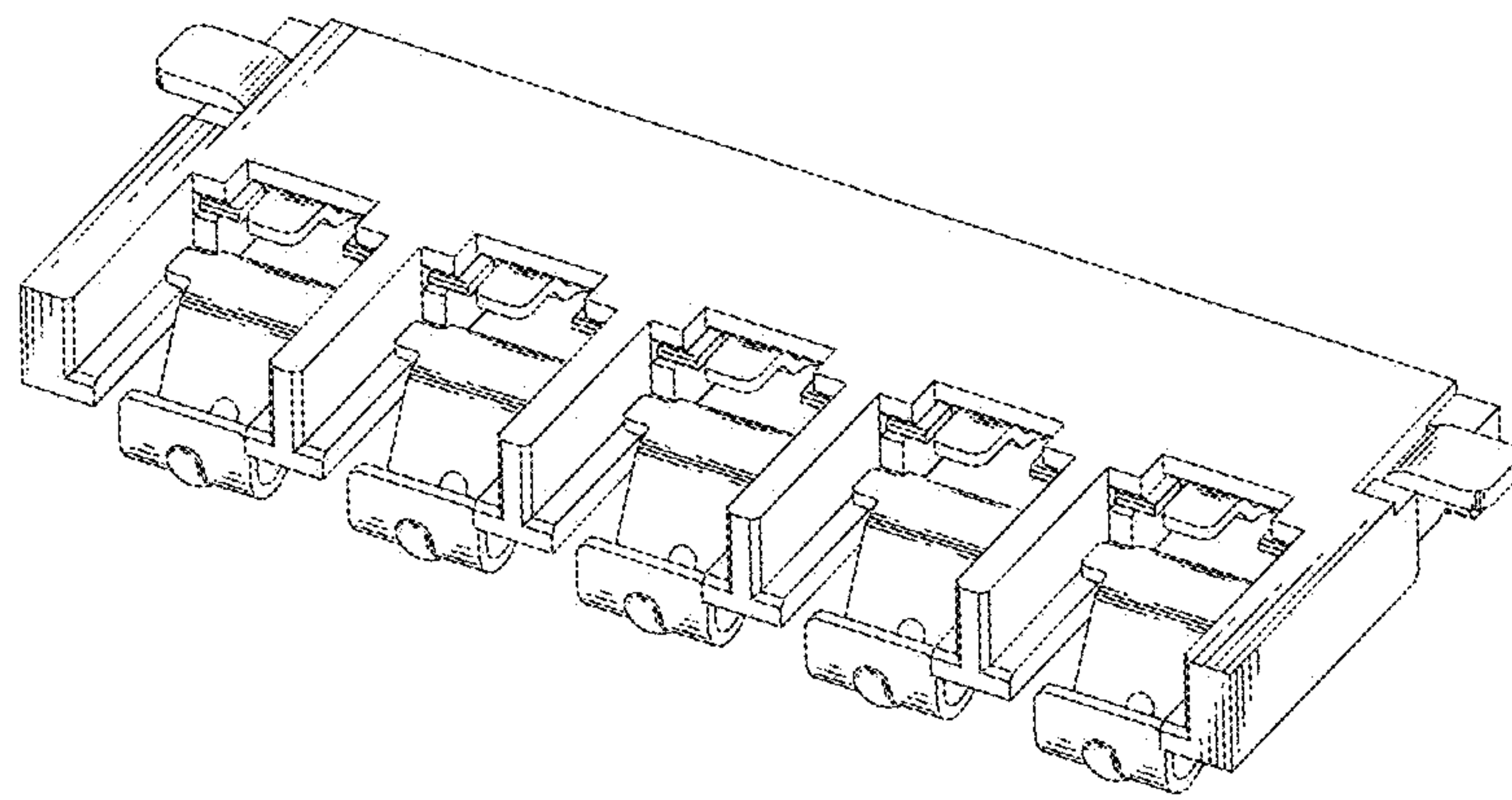


FIG. 8