



US00D728475S

(12) **United States Design Patent**
Béhar et al.

(10) **Patent No.:** **US D728,475 S**

(45) **Date of Patent:** **** *May 5, 2015**

(54) **POWER SUPPLY**

(71) Applicant: **Avogy, Inc.**, San Jose, CA (US)

(72) Inventors: **Yves Béhar**, San Francisco, CA (US);
Noah Murphy-Reinhertz, San Francisco, CA (US); **Diana Chang**, San Francisco, CA (US); **Darin Smedberg**, Pollock Pines, CA (US); **Frederick Allen Stillman**, Seattle, WA (US)

(73) Assignee: **Avogy, Inc.**, San Jose, CA (US)

(*) Notice: This patent is subject to a terminal disclaimer.

(**) Term: **14 Years**

(21) Appl. No.: **29/501,217**

(22) Filed: **Sep. 2, 2014**

(51) **LOC (10) Cl.** **13-02**

(52) **U.S. Cl.**
USPC **D13/110**

(58) **Field of Classification Search**
USPC D13/110, 108, 123, 133, 137.1, 184,
D13/199; 174/53, 54, 57, 59, 61; 307/150,
307/151; 320/111, 114; 363/132, 146;
439/105, 131, 166, 170-173, 218, 518,
439/692, 956; D14/242, 433

See application file for complete search history.

(56) **References Cited**

U.S. PATENT DOCUMENTS

5,987,845	A	*	11/1999	Laronde	52/845
D544,834	S	*	6/2007	Weinstein	D13/110
D598,844	S	*	8/2009	Harrison et al.	D13/103
D602,430	S	*	10/2009	Green et al.	D13/110
D670,244	S	*	11/2012	Workman et al.	D13/110
D673,909	S	*	1/2013	Zaslavsky et al.	D13/110

* cited by examiner

Primary Examiner — Derrick Holland

(74) *Attorney, Agent, or Firm* — Kilpatrick Townsend & Stockton LLP

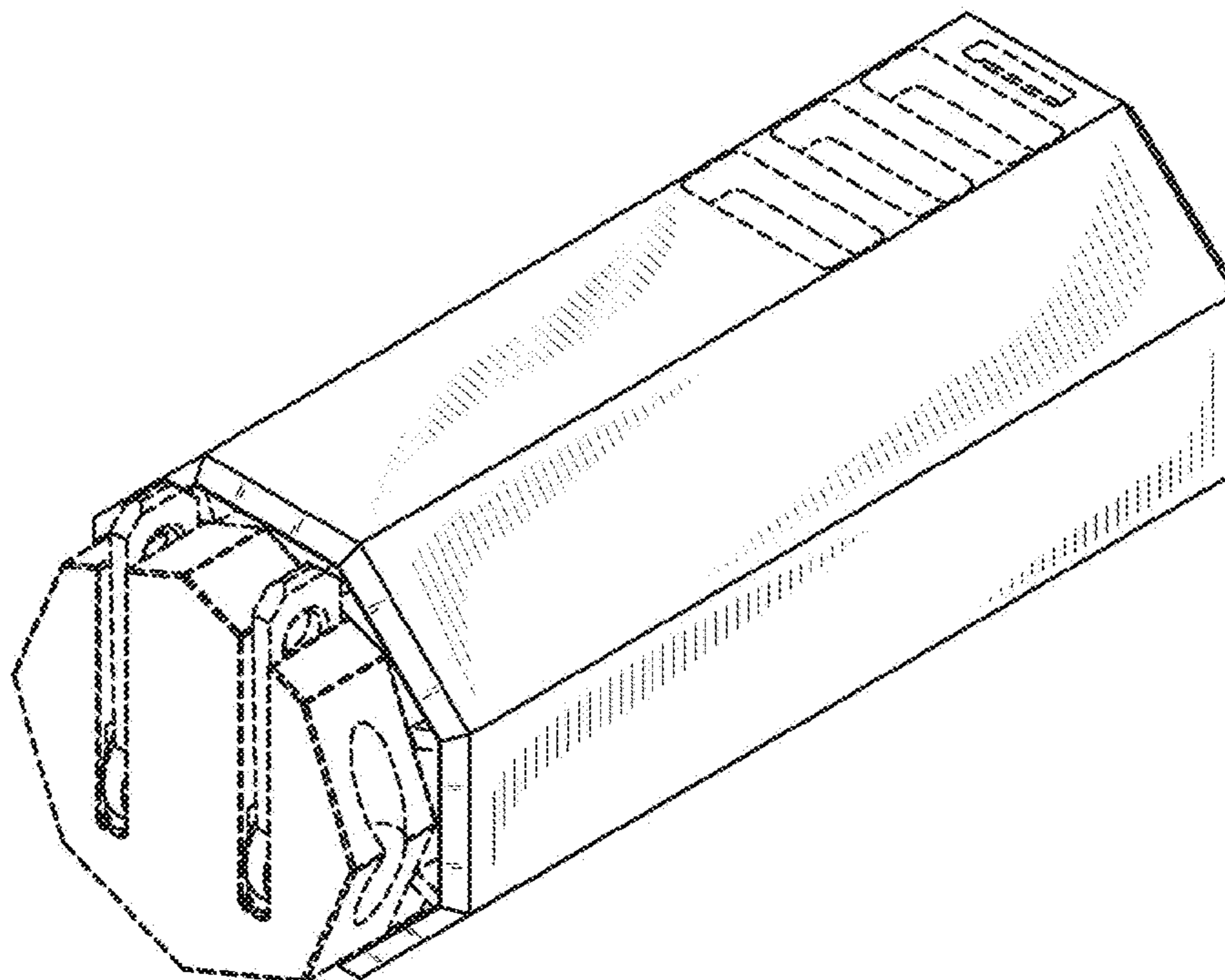
(57) **CLAIM**

The ornamental design for the power supply, as shown and described.

DESCRIPTION

FIG. 1 is a perspective view of a power supply showing our new design;
FIG. 2 is a second perspective view thereof;
FIG. 3 is a third perspective view thereof;
FIG. 4 is a fourth perspective view thereof;
FIG. 5 is a top plan view thereof;
FIG. 6 is a bottom plan view thereof;
FIG. 7 is a front elevational view thereof;
FIG. 8 is a rear elevational view thereof;
FIG. 9 is a left side elevational view thereof; and,
FIG. 10 is a right side elevational view thereof.
The broken lines shown represent unclaimed subject matter and form no part of the claimed design.

1 Claim, 4 Drawing Sheets



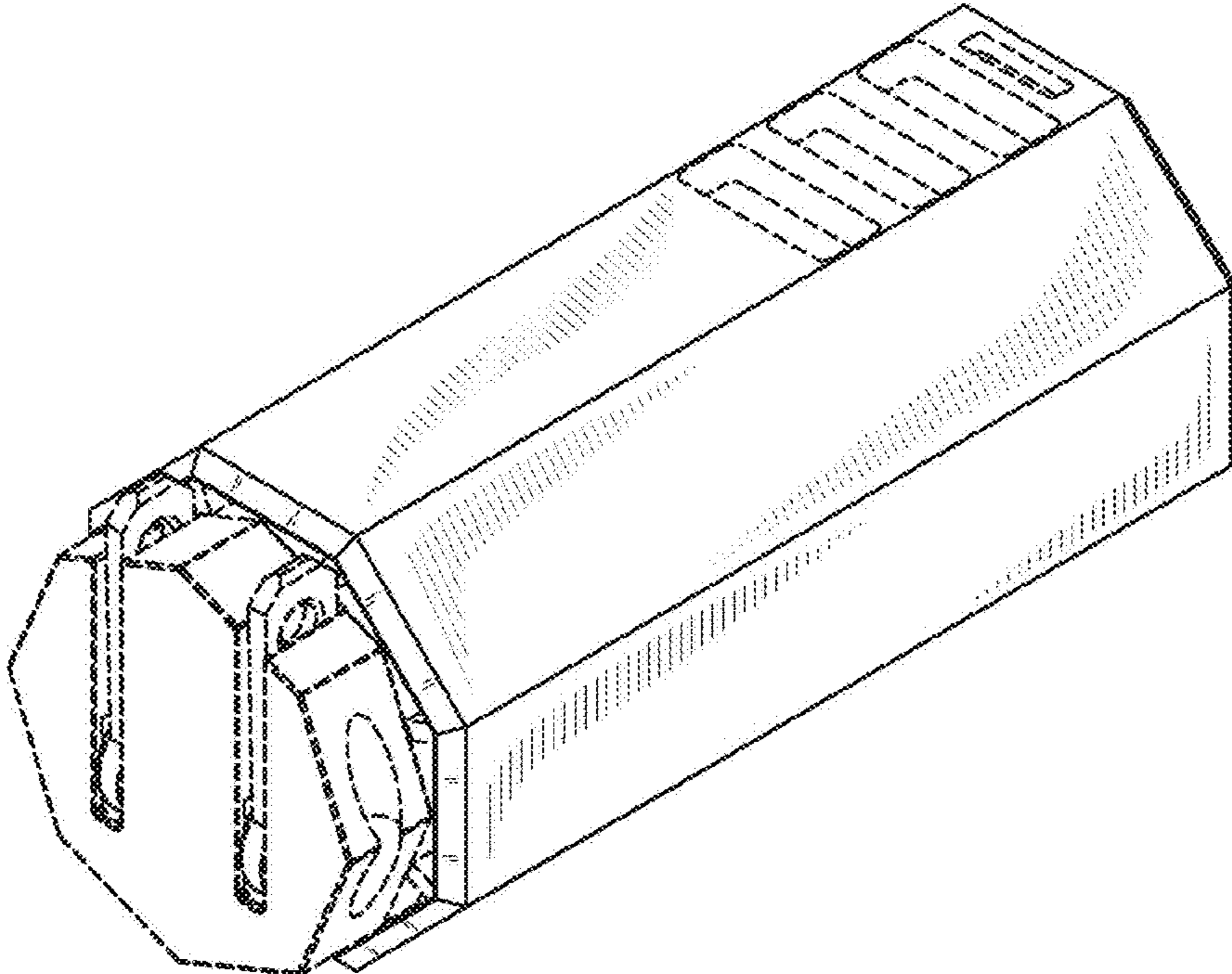


FIG. 1

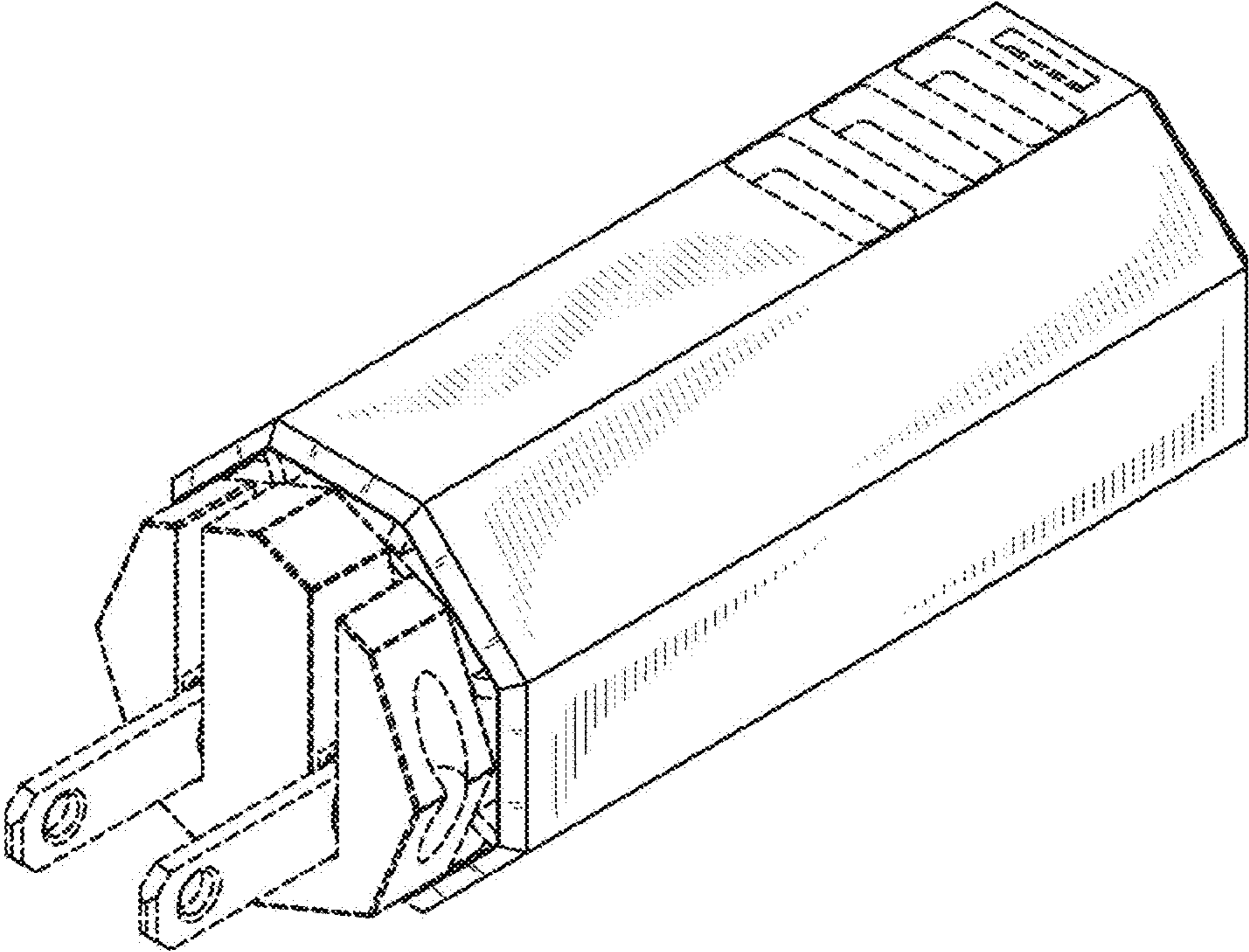


FIG. 2

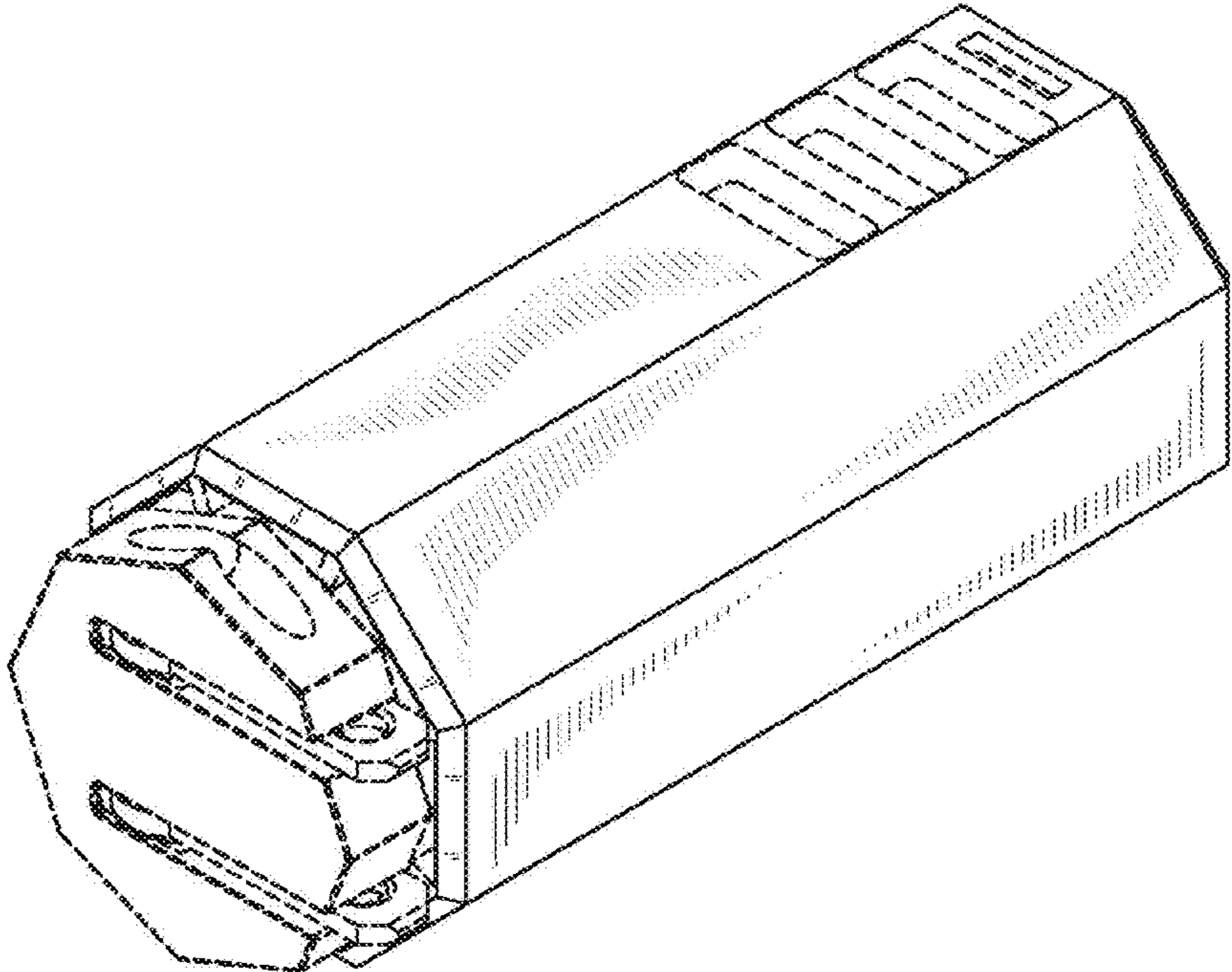


FIG. 3

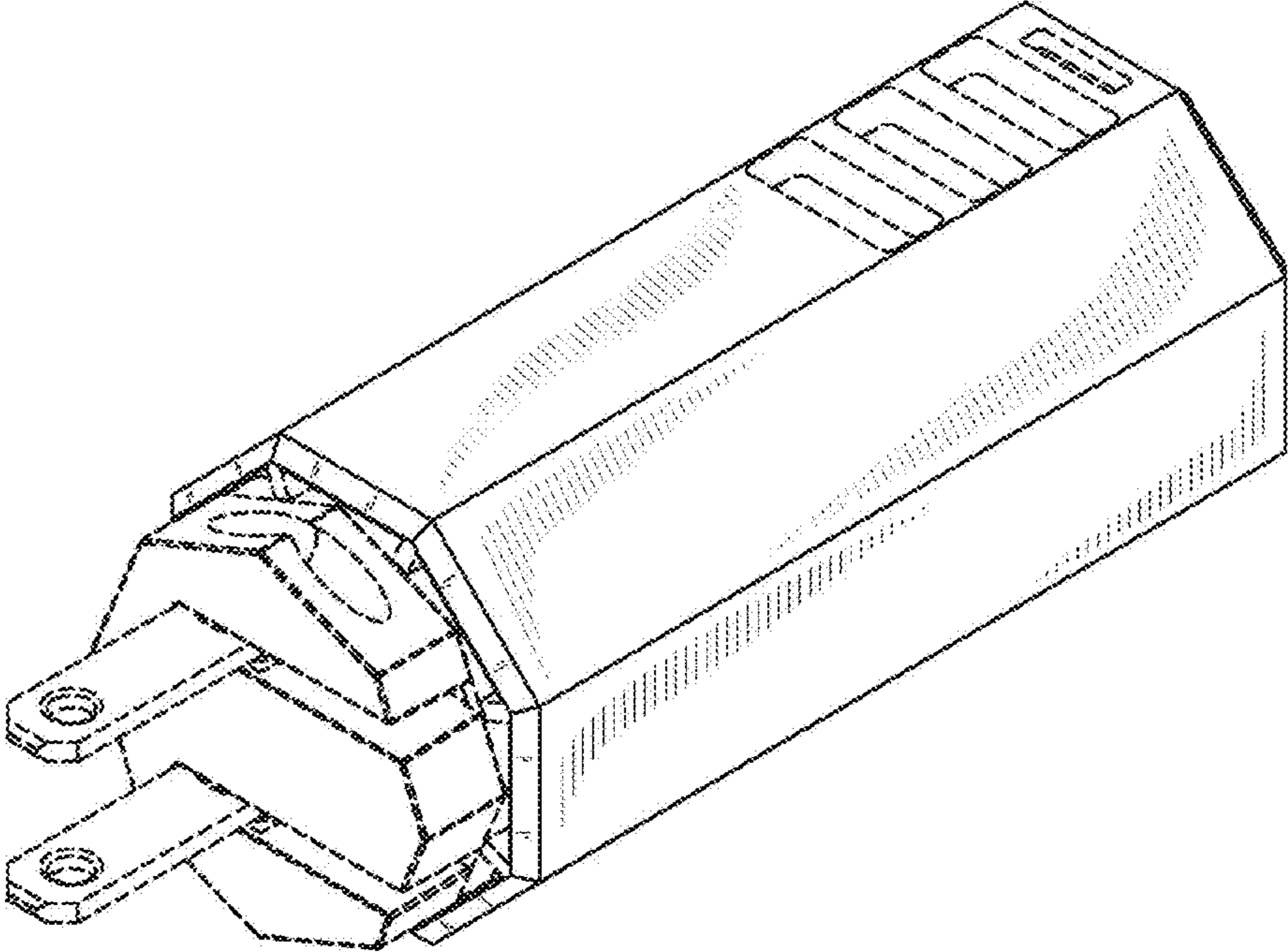


FIG. 4

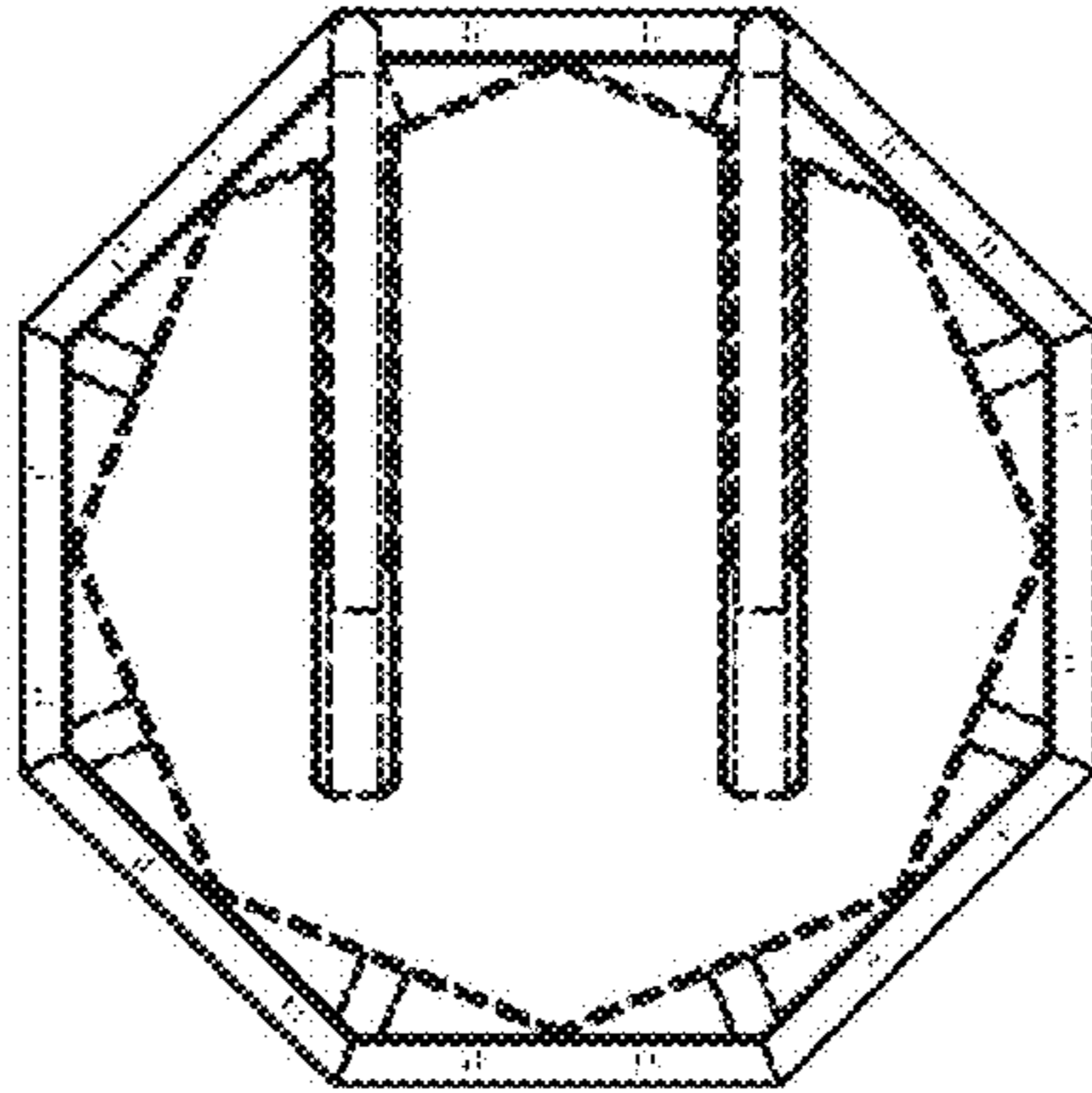


FIG. 5

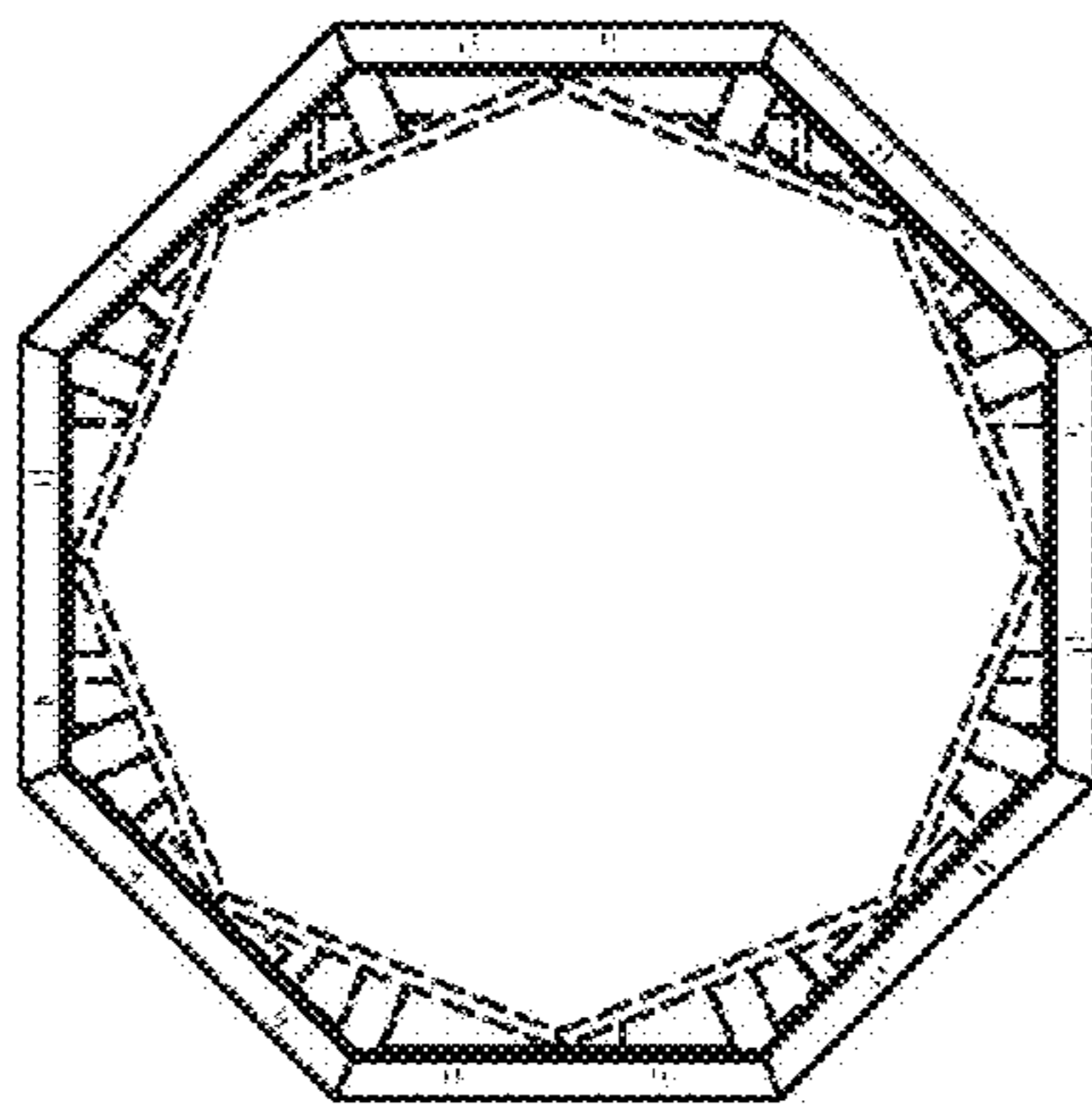


FIG. 6

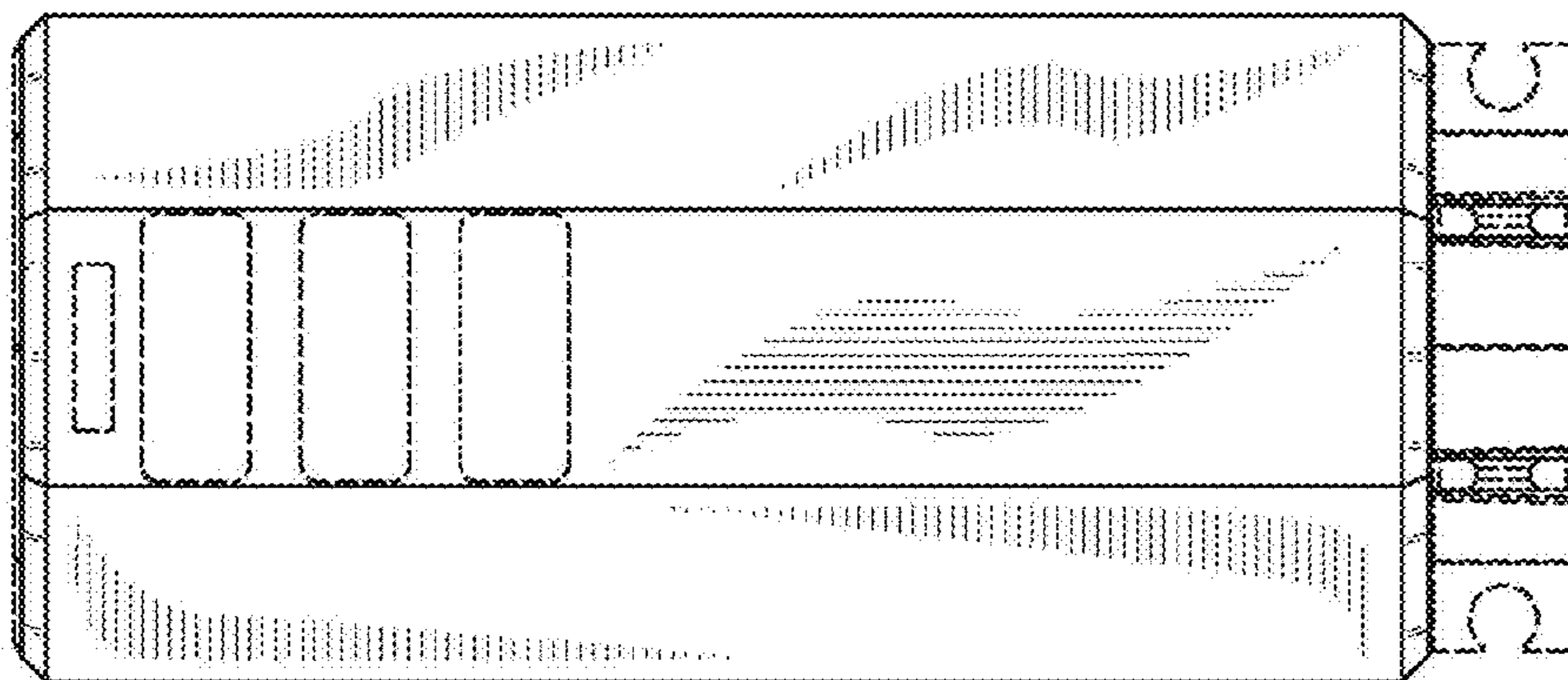


FIG. 7

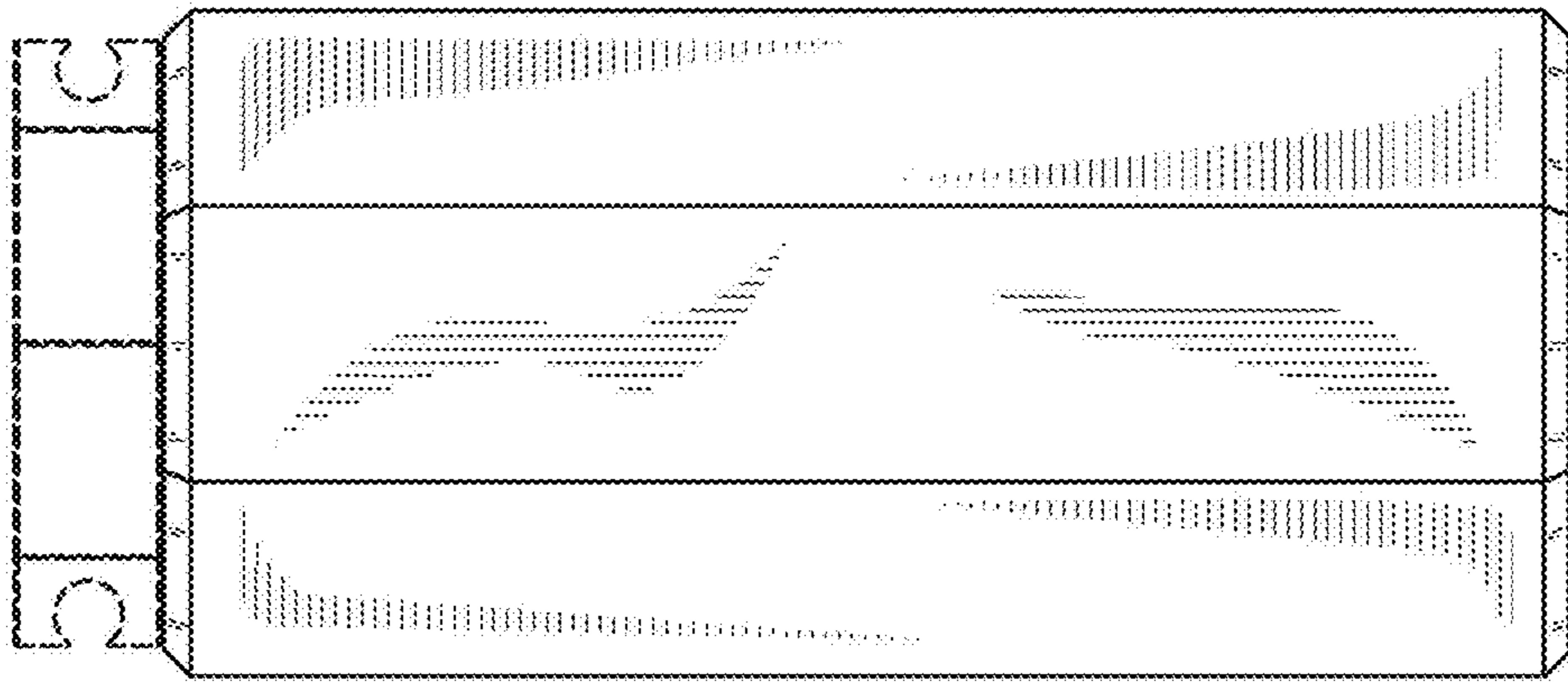


FIG. 8

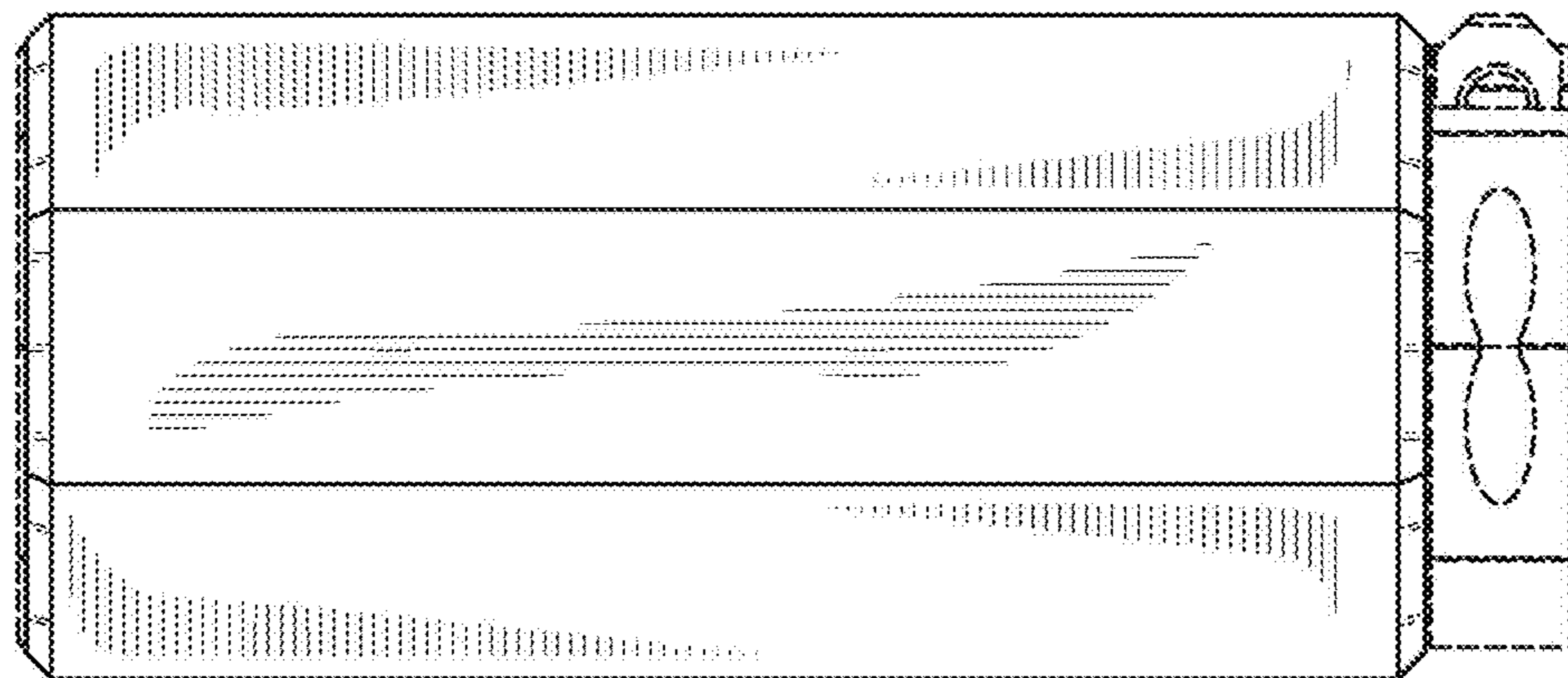


FIG. 9

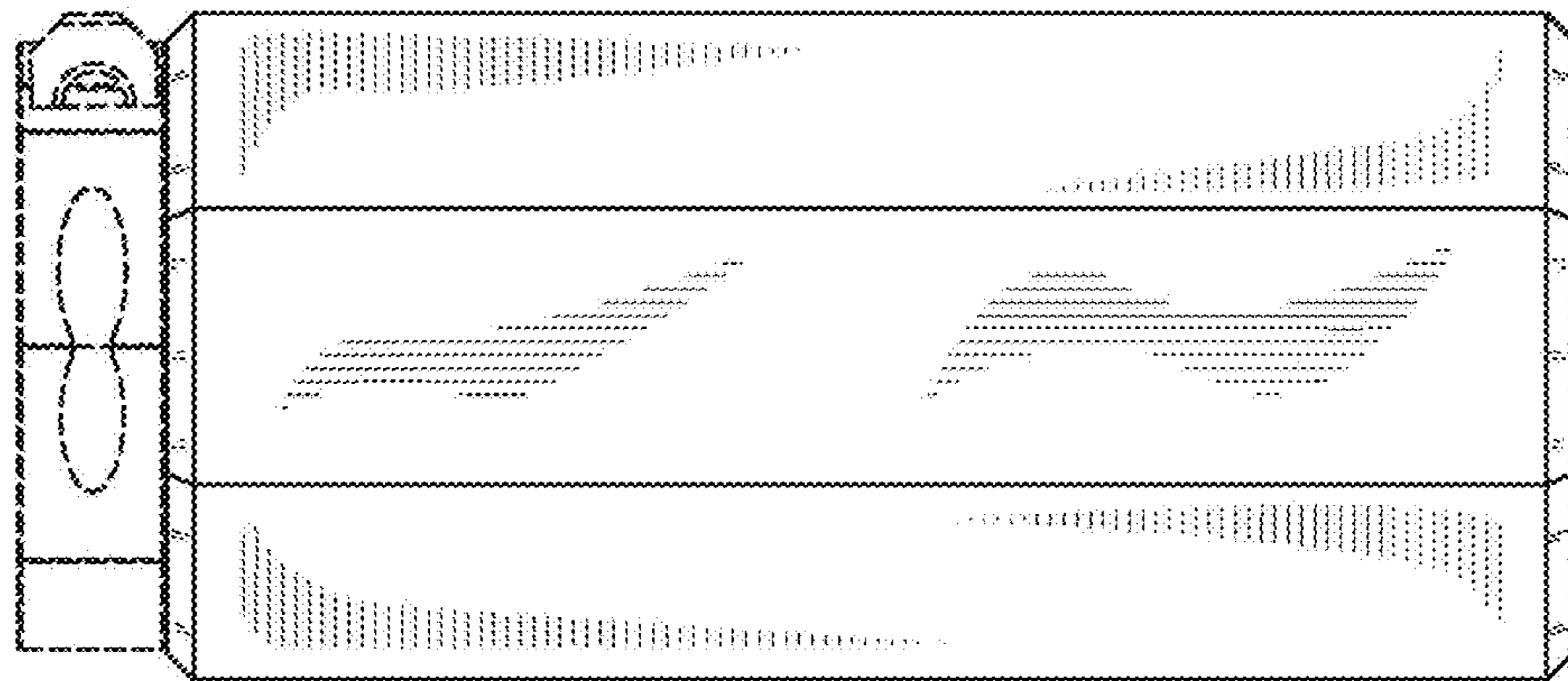


FIG. 10