



US00D728474S

(12) **United States Design Patent**
Orlando et al.

(10) **Patent No.:** **US D728,474 S**

(45) **Date of Patent:** **** May 5, 2015**

(54) **POWER INVERTER**

(71) Applicant: **Promark International, Inc.**, Bartlett, IL (US)

(72) Inventors: **Kenneth Orlando**, Barrington Hills, IL (US); **Konrad Powers**, Carol Stream, IL (US); **Eric Vo**, Bartlett, IL (US)

(73) Assignee: **Promark International, Inc.**, Bartlett, IL (US)

(**) Term: **14 Years**

(21) Appl. No.: **29/478,935**

(22) Filed: **Jan. 9, 2014**

(51) **LOC (10) Cl.** **13-02**

(52) **U.S. Cl.**
USPC **D13/110**

(58) **Field of Classification Search**
USPC D13/107, 110, 118, 119, 123, 133, 146, D13/147, 154, 158, 159, 160, 161, 162, 164, D13/166, 178, 179, 182, 184, 199; 361/33, 361/139, 142, 160, 206; 320/107, 111, 112; D14/251
See application file for complete search history.

(56) **References Cited**

U.S. PATENT DOCUMENTS

D316,853	S	*	5/1991	Dickey	D14/356
D342,073	S	*	12/1993	Nakamura et al.	D14/256
D357,456	S	*	4/1995	Nakanishi et al.	D13/110
D423,452	S	*	4/2000	Fujisawa et al.	D13/110
D429,688	S	*	8/2000	Russo	D13/123

D496,629	S	*	9/2004	Hriscu et al.	D13/110
D528,073	S	*	9/2006	Farzan	D13/110
D625,252	S	*	10/2010	Nguyen et al.	D13/103
D627,719	S	*	11/2010	DuMelle et al.	D13/110
D672,310	S	*	12/2012	Scharf et al.	D13/110
D712,832	S	*	9/2014	Zhou	D13/110
2014/0085781	A1	*	3/2014	Zeng	361/679.01

OTHER PUBLICATIONS

Vagabond Mini™ Lithium (120VAC model) available from <http://www.paulcbuff.com/vm120.php> downloaded Feb. 4, 2014 (1 page).
Vagabond Mini™ Lithium (120VAC model) product manual available from <http://www.paulcbuff.com/vm120.php> downloaded Feb. 4, 2014 (16 pages).

* cited by examiner

Primary Examiner — Derrick Holland

Assistant Examiner — Jennifer O King

(74) *Attorney, Agent, or Firm* — Michael Best & Friedrich LLP

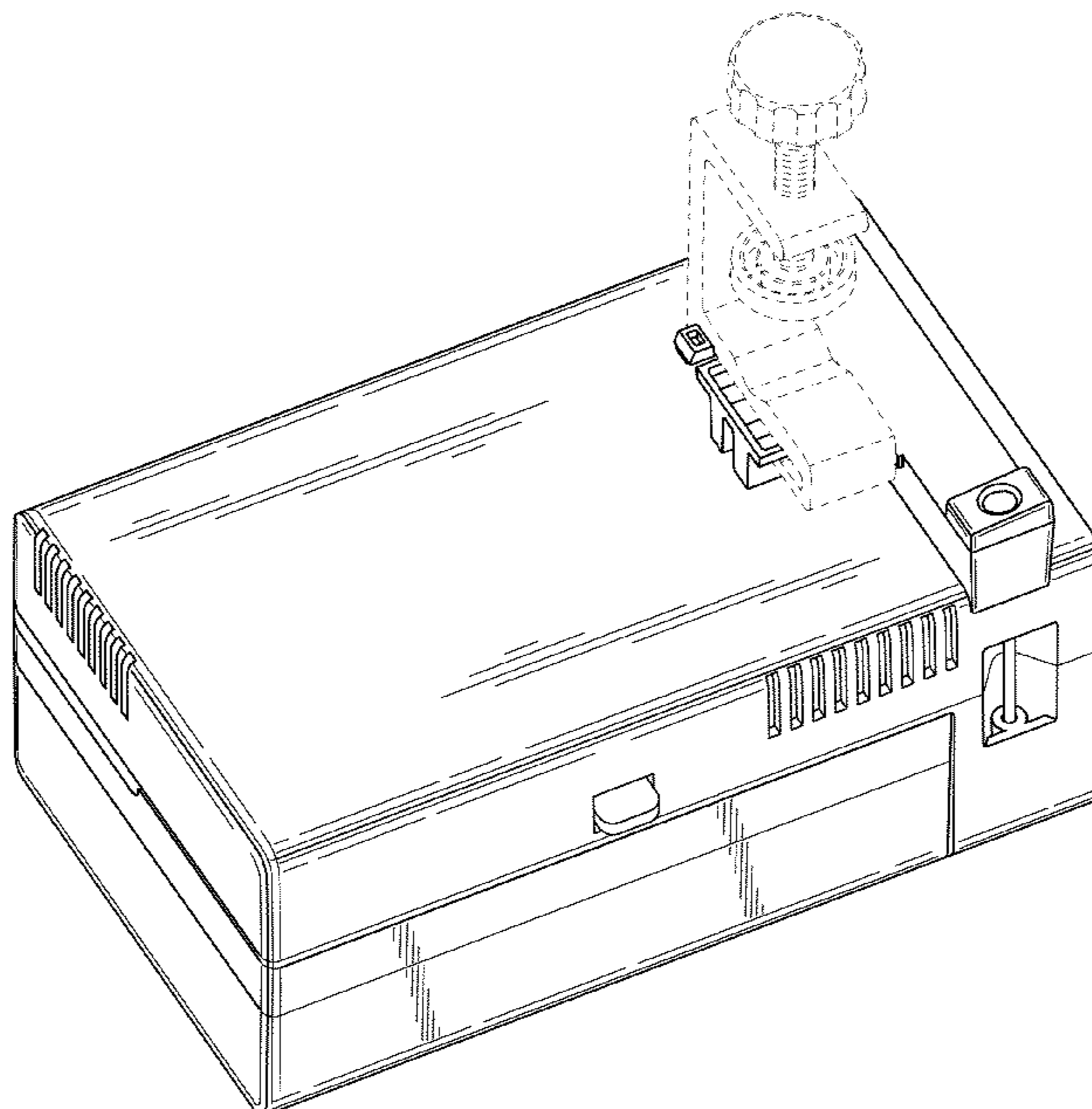
(57) **CLAIM**

We claim the ornamental design for a power inverter, as shown and described.

DESCRIPTION

FIG. 1 is a perspective view of a power inverter.
FIG. 2 is a top view of the power inverter of FIG. 1.
FIG. 3 is a bottom view of the power inverter of FIG. 1.
FIG. 4 is a first side view of the power inverter of FIG. 1.
FIG. 5 is a second side view of the power inverter of FIG. 1.
FIG. 6 is a front view of the power inverter of FIG. 1; and,
FIG. 7 is a rear view of the power inverter of FIG. 1.
The broken lines shown represent unclaimed subject matter and form no part of the claimed design.

1 Claim, 4 Drawing Sheets



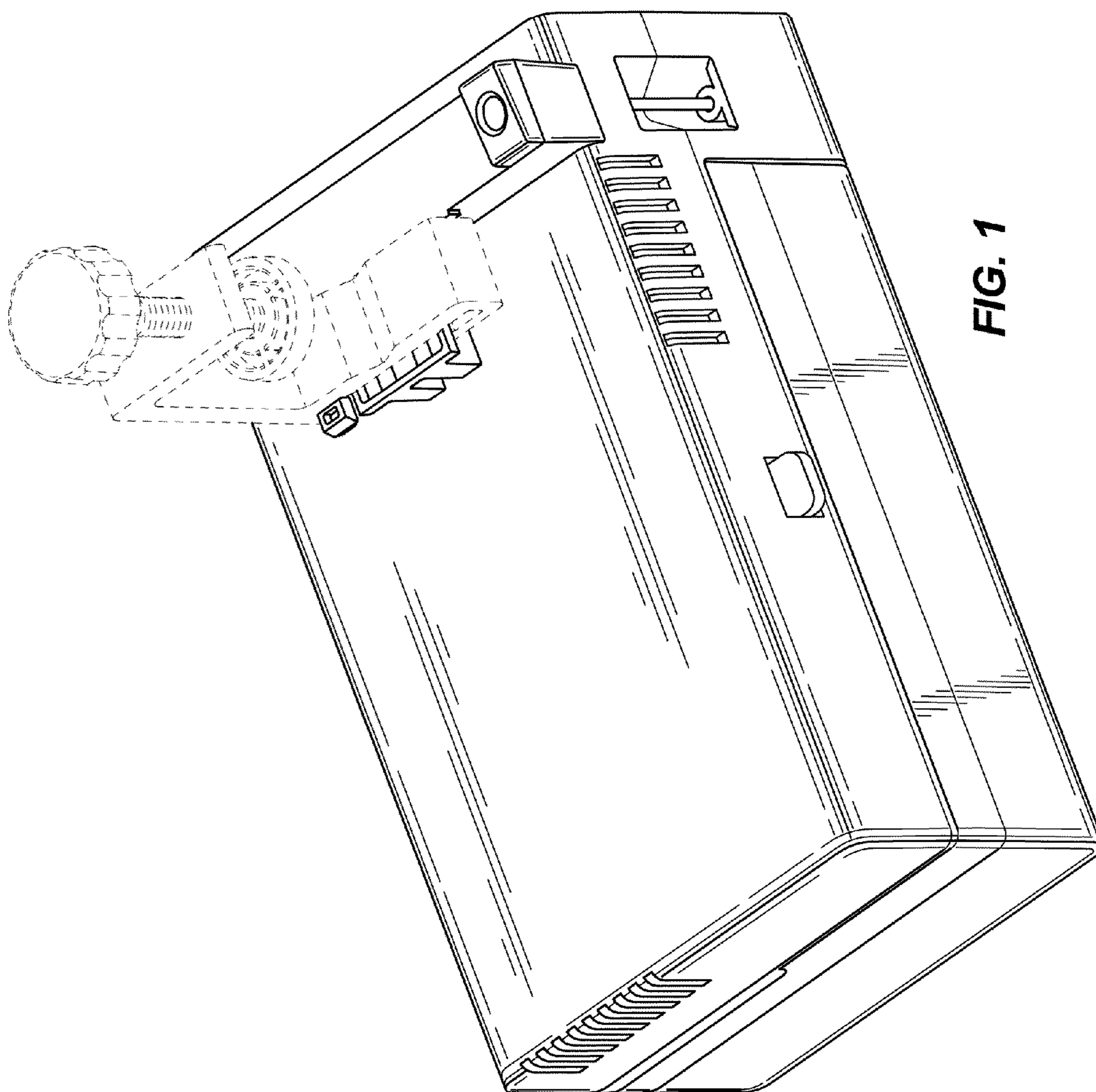


FIG. 1

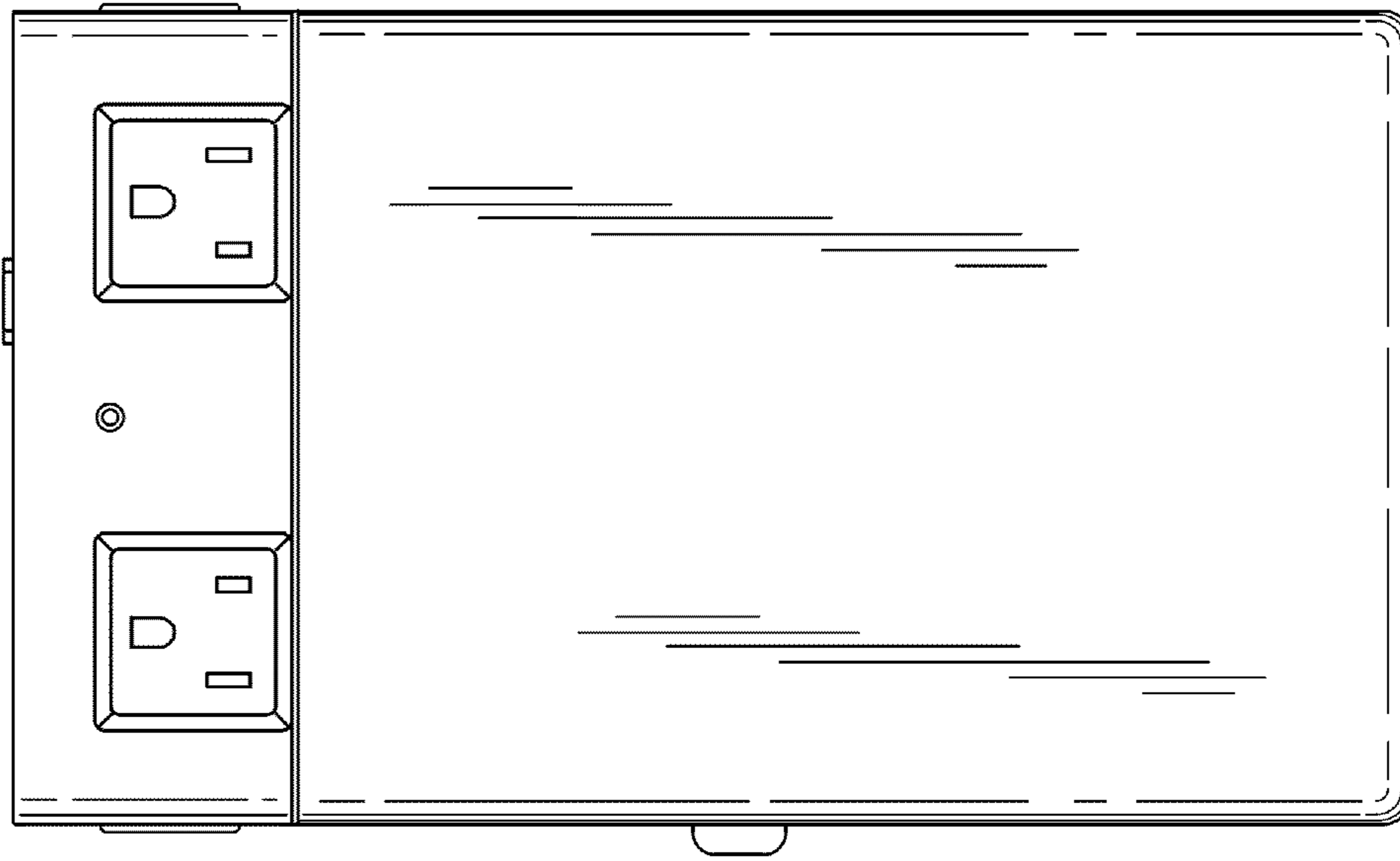


FIG. 2

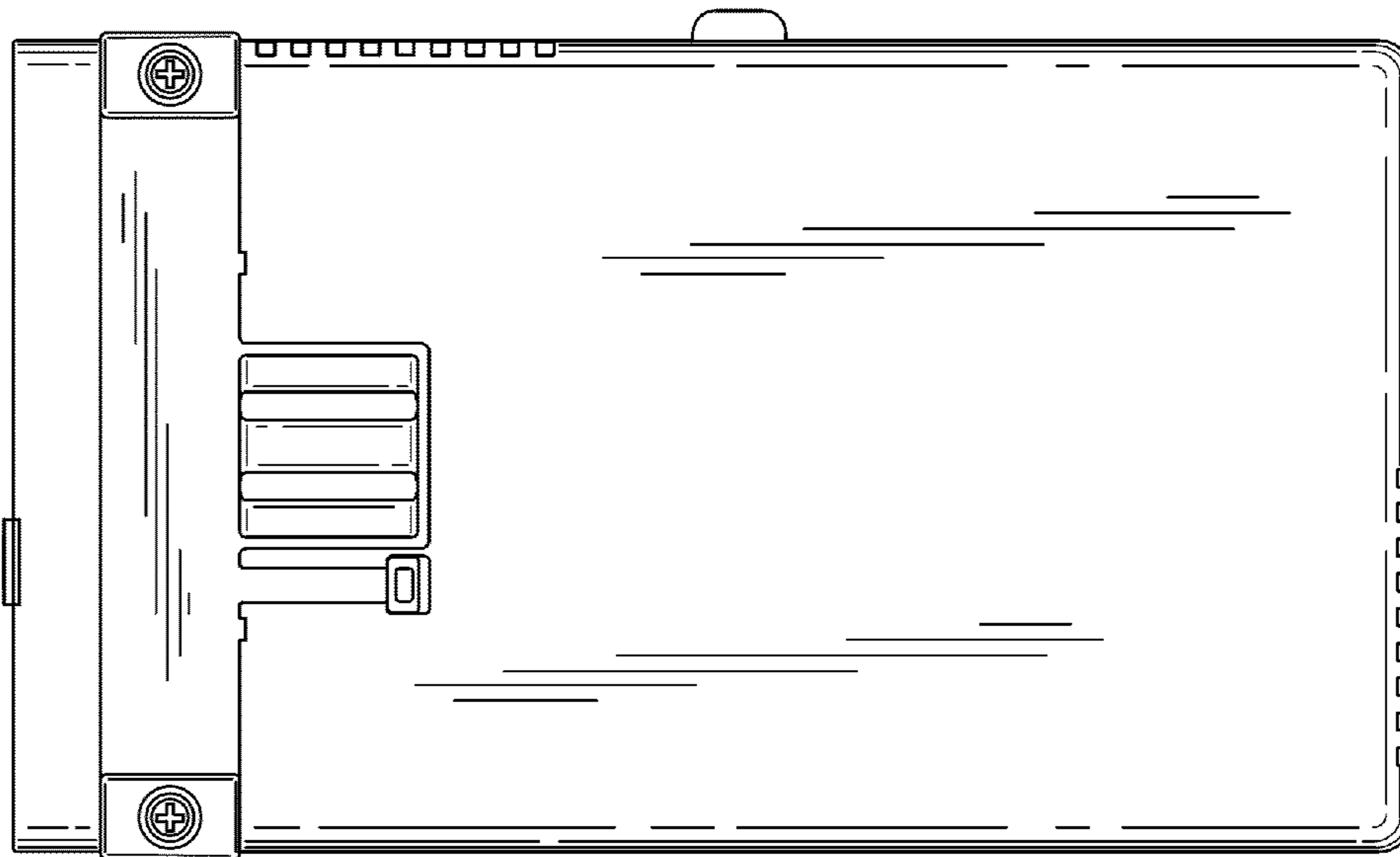


FIG. 3

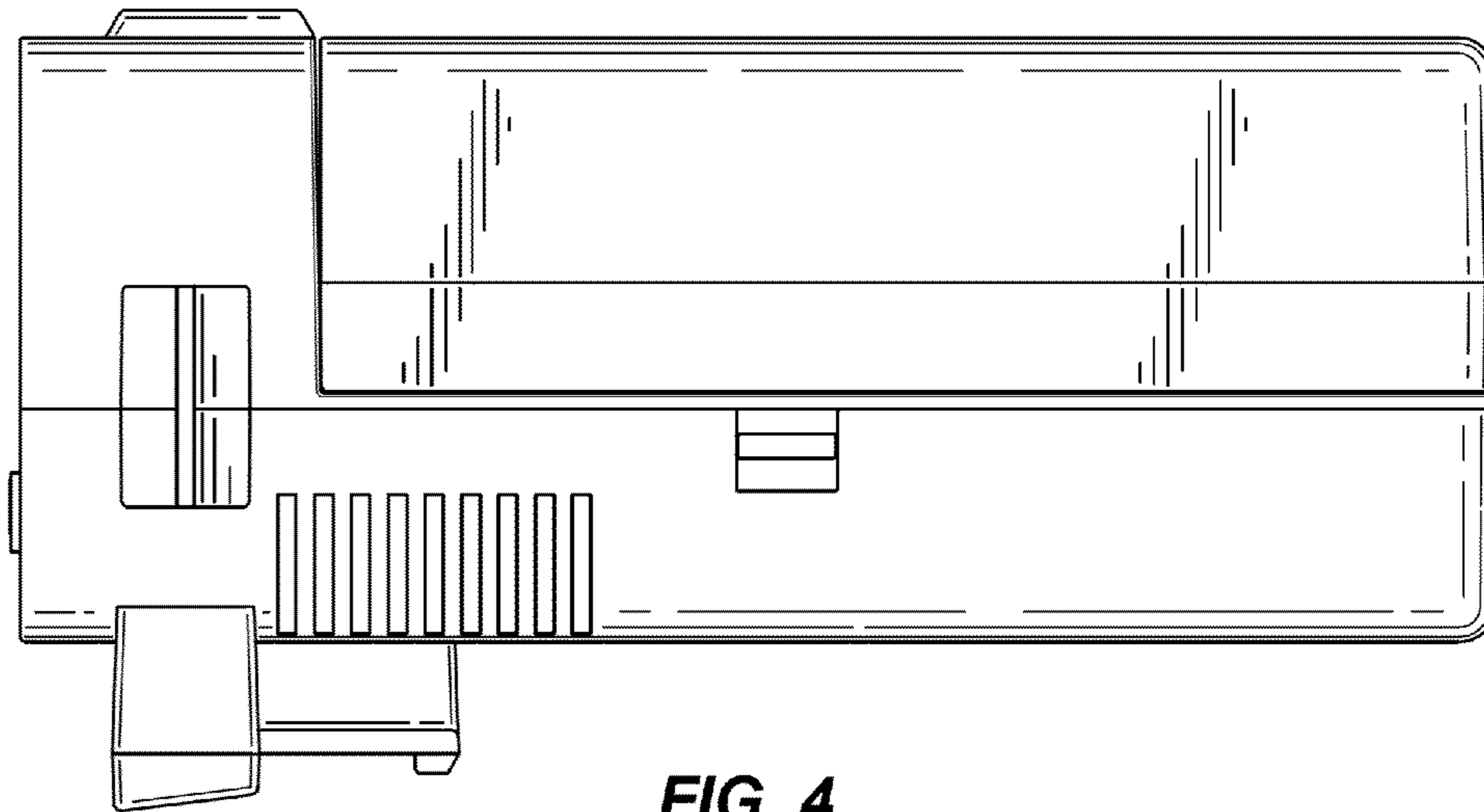


FIG. 4

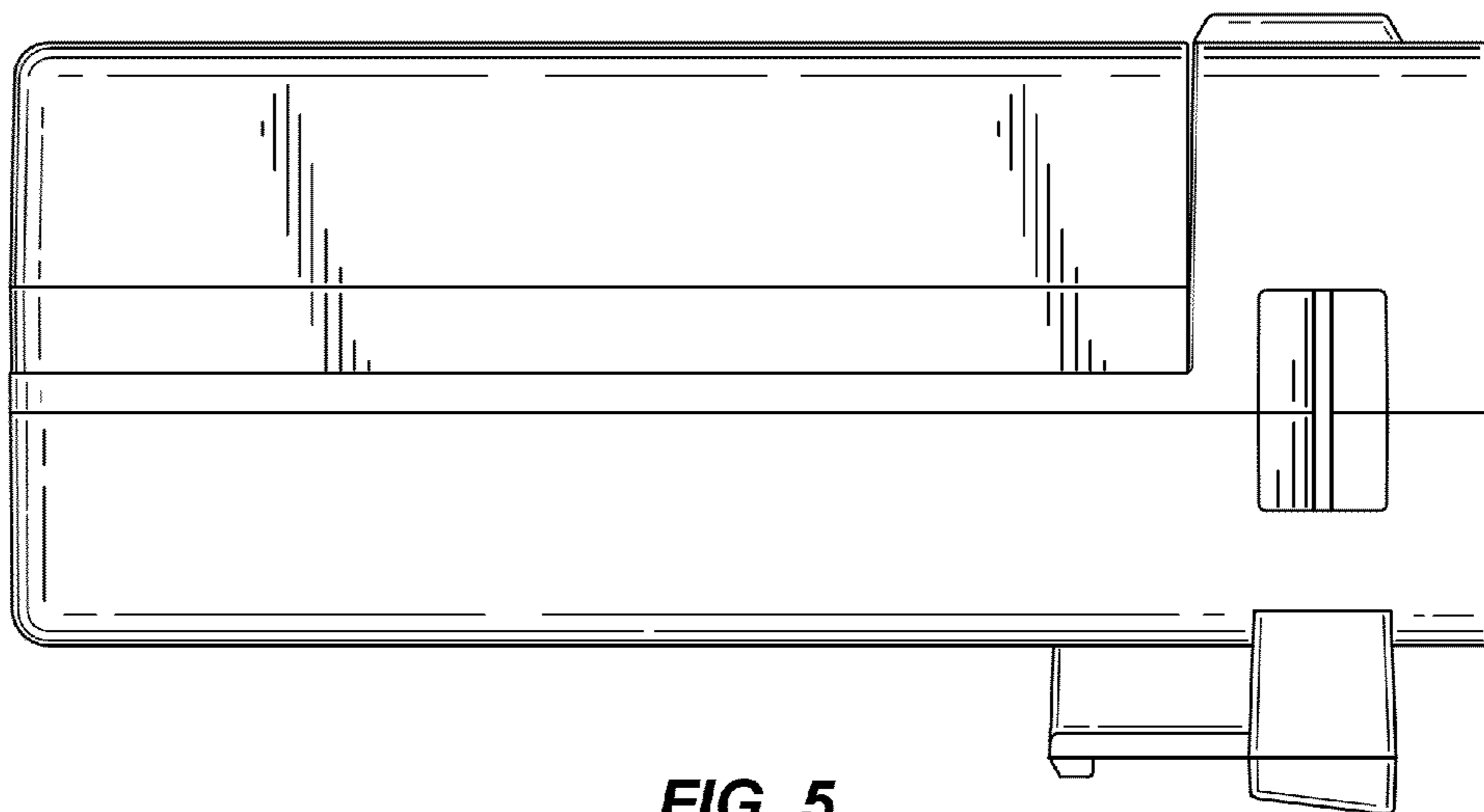


FIG. 5

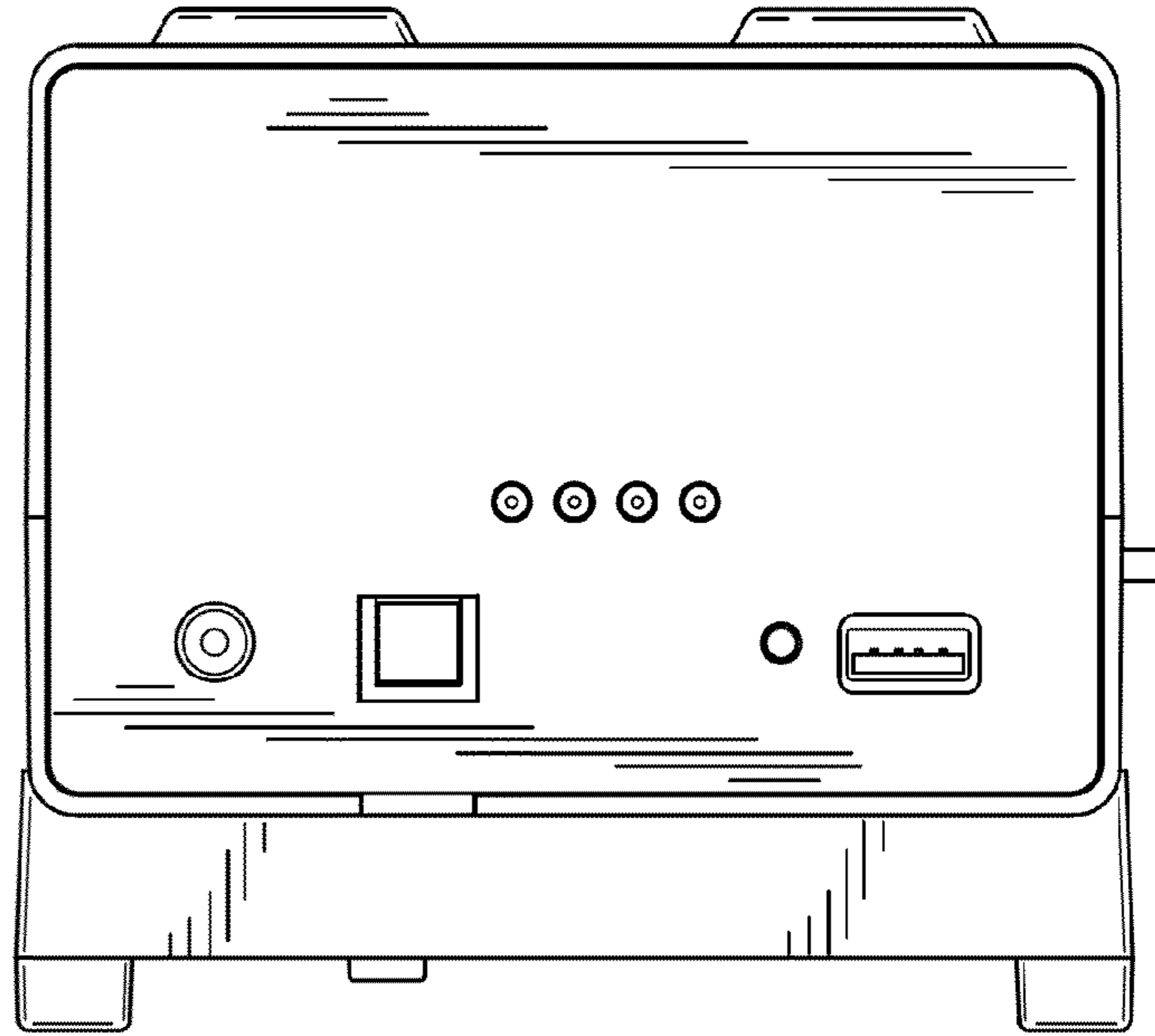


FIG. 6

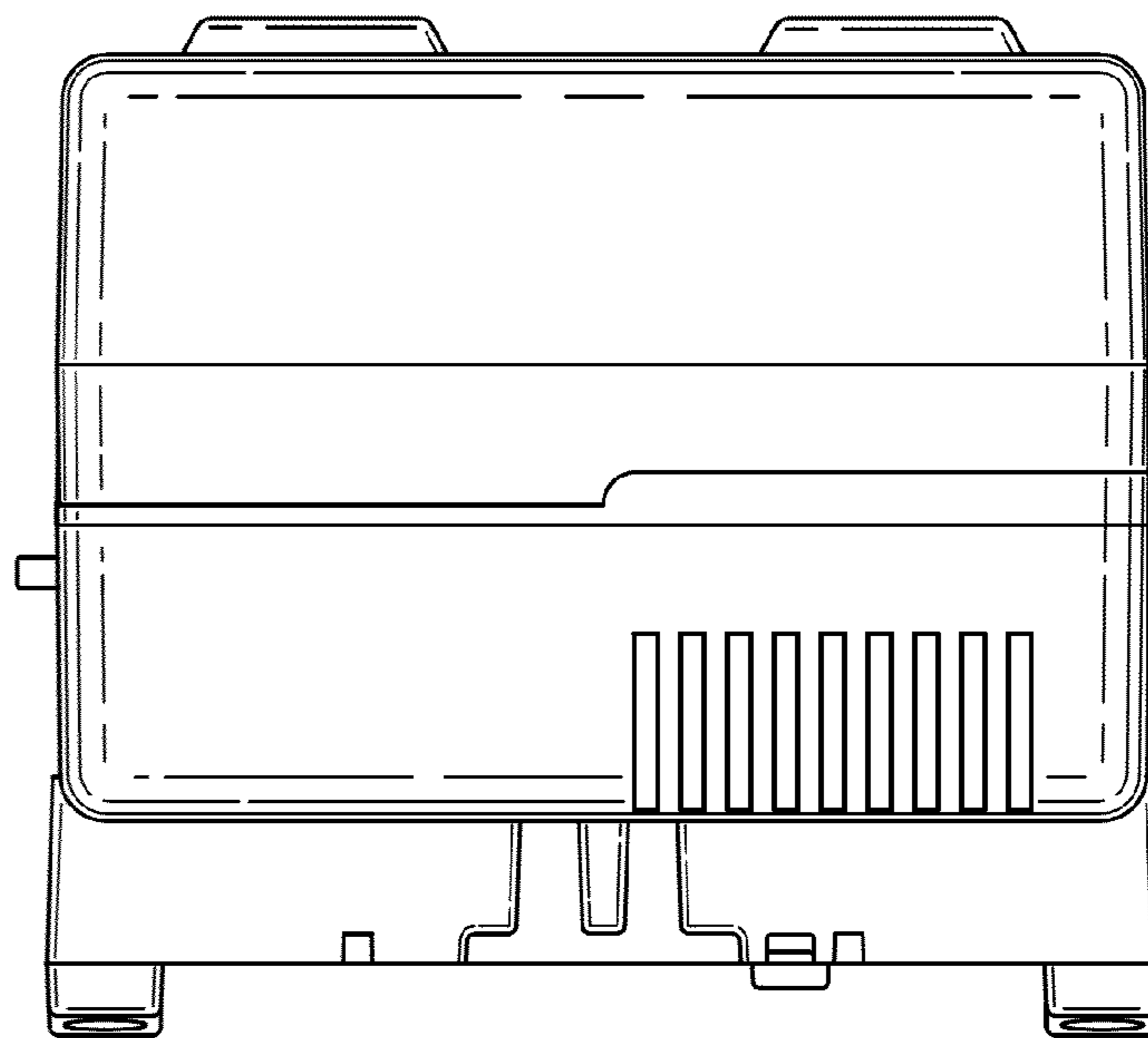


FIG. 7