



US00D728472S

(12) **United States Design Patent**  
**Abe**

(10) **Patent No.:** **US D728,472 S**  
(45) **Date of Patent:** **\*\* May 5, 2015**

(54) **MICROSWITCH**

(71) Applicant: **Omron Corporation**, Shimogyo-ku,  
Kyoto (JP)

(72) Inventor: **Takayuki Abe**, Kurayoshi (JP)

(73) Assignee: **Omron Corporation**, Kyoto (JP)

(\*\*) Term: **14 Years**

(21) Appl. No.: **29/461,841**

(22) Filed: **Jul. 29, 2013**

(30) **Foreign Application Priority Data**

Jan. 31, 2013 (JP) ..... 2013-001920

Jan. 31, 2013 (JP) ..... 2013-001921

(51) **LOC (10) Cl.** ..... **13-02**

(52) **U.S. Cl.**  
USPC ..... **D13/110**

(58) **Field of Classification Search**

CPC ..... H01H 13/14

USPC ..... D13/110, 118, 123, 124, 125, 133, 146,  
D13/147, 154, 158, 159, 160, 161, 162,  
D13/162.1, 163, 164, 166, 177, 178, 179,  
D13/182, 184, 199, 737; 439/212, 251, 521,  
439/651, 709, 732; 174/99 B, 138 F, 149 B;  
D9/432, 414, 435, 444, 759; D7/553.1,  
D7/553.2, 554.3; D21/500, 491; 200/529,  
200/530

See application file for complete search history.

(56) **References Cited**

U.S. PATENT DOCUMENTS

4,230,922 A *	10/1980	Habecker .....	200/302.2
D294,346 S *	2/1988	Holmes .....	D13/171
4,882,461 A *	11/1989	Kamisada .....	200/536
4,906,808 A *	3/1990	Burgess et al. ....	200/527
5,132,499 A *	7/1992	Valenzona et al. ....	200/526
5,145,059 A *	9/1992	Park .....	200/527
5,226,529 A *	7/1993	Valenzona .....	200/529
D443,857 S *	6/2001	Kwalick, Jr. ....	D13/110
2014/0202842 A1 *	7/2014	Abe .....	200/529

\* cited by examiner

*Primary Examiner* — Derrick Holland

*Assistant Examiner* — Jennifer O King

(74) *Attorney, Agent, or Firm* — Harness, Dickey & Pierce,  
P.L.C.

(57) **CLAIM**

The ornamental design for a microswitch, as shown and described.

**DESCRIPTION**

FIG. 1 is a top, front and right side perspective view of a microswitch showing my new design. FIG. 2 is a bottom, rear and left side perspective view thereof; FIG. 3 is a front elevational view thereof; FIG. 4 is a rear elevational view thereof; FIG. 5 is a left side view thereof; FIG. 6 is a right side view thereof; FIG. 7 is a top plan view thereof; FIG. 8 is a bottom plan view thereof; and, FIG. 9 is an exploded perspective view thereof. The broken lines shown represent unclaimed subject matter and form no part of the claimed design.

**1 Claim, 4 Drawing Sheets**

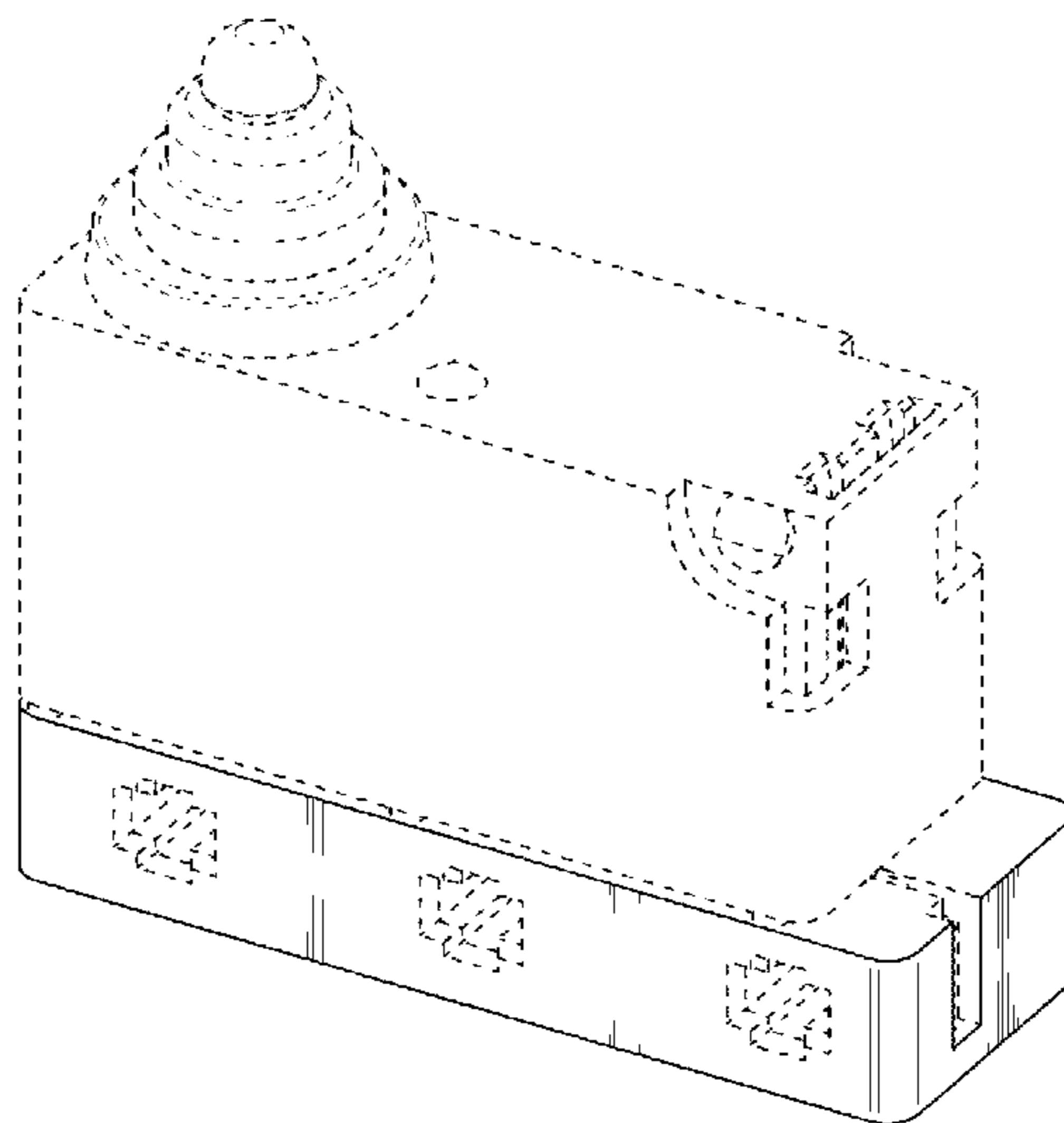


Fig. 1

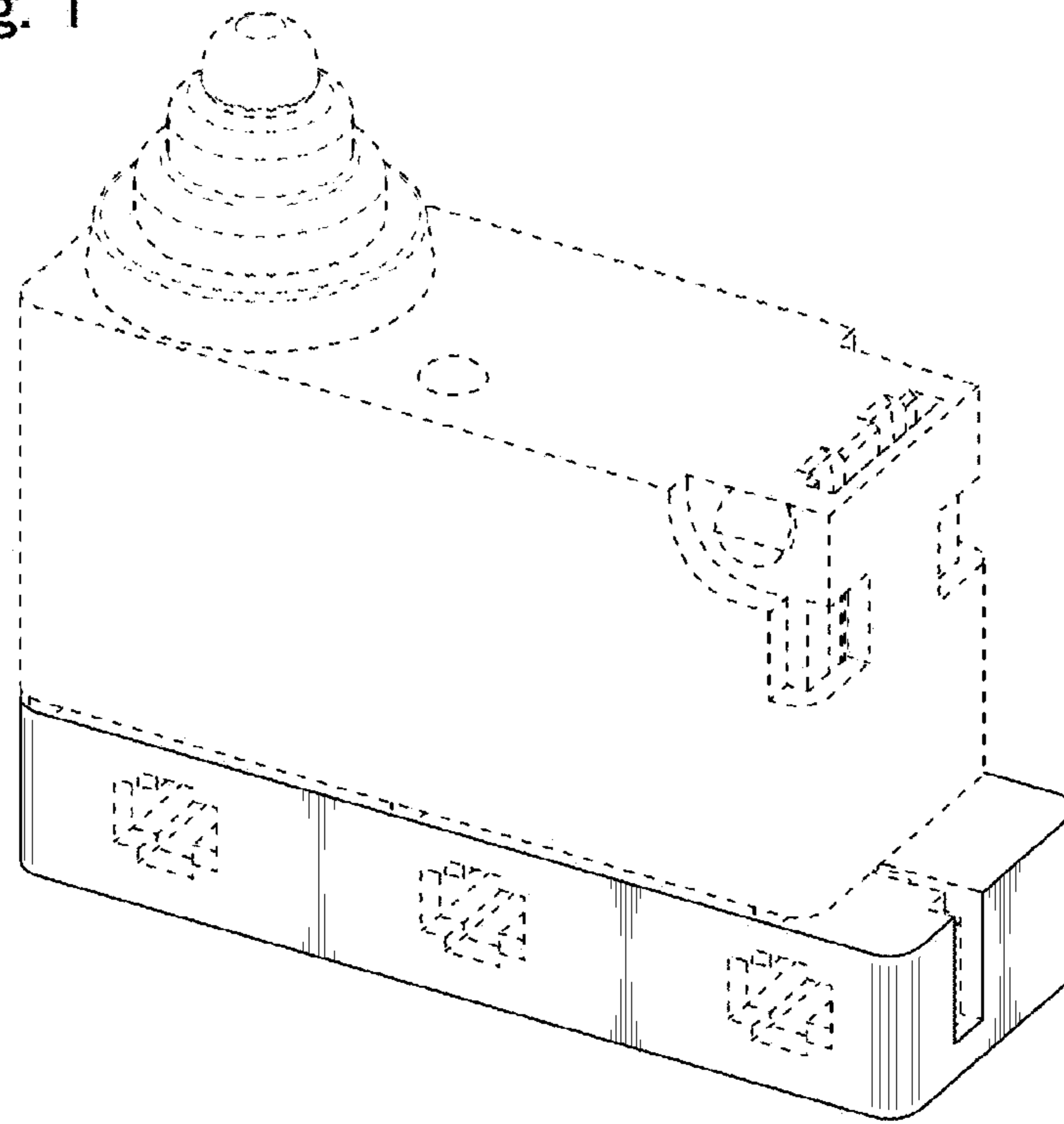


Fig. 2

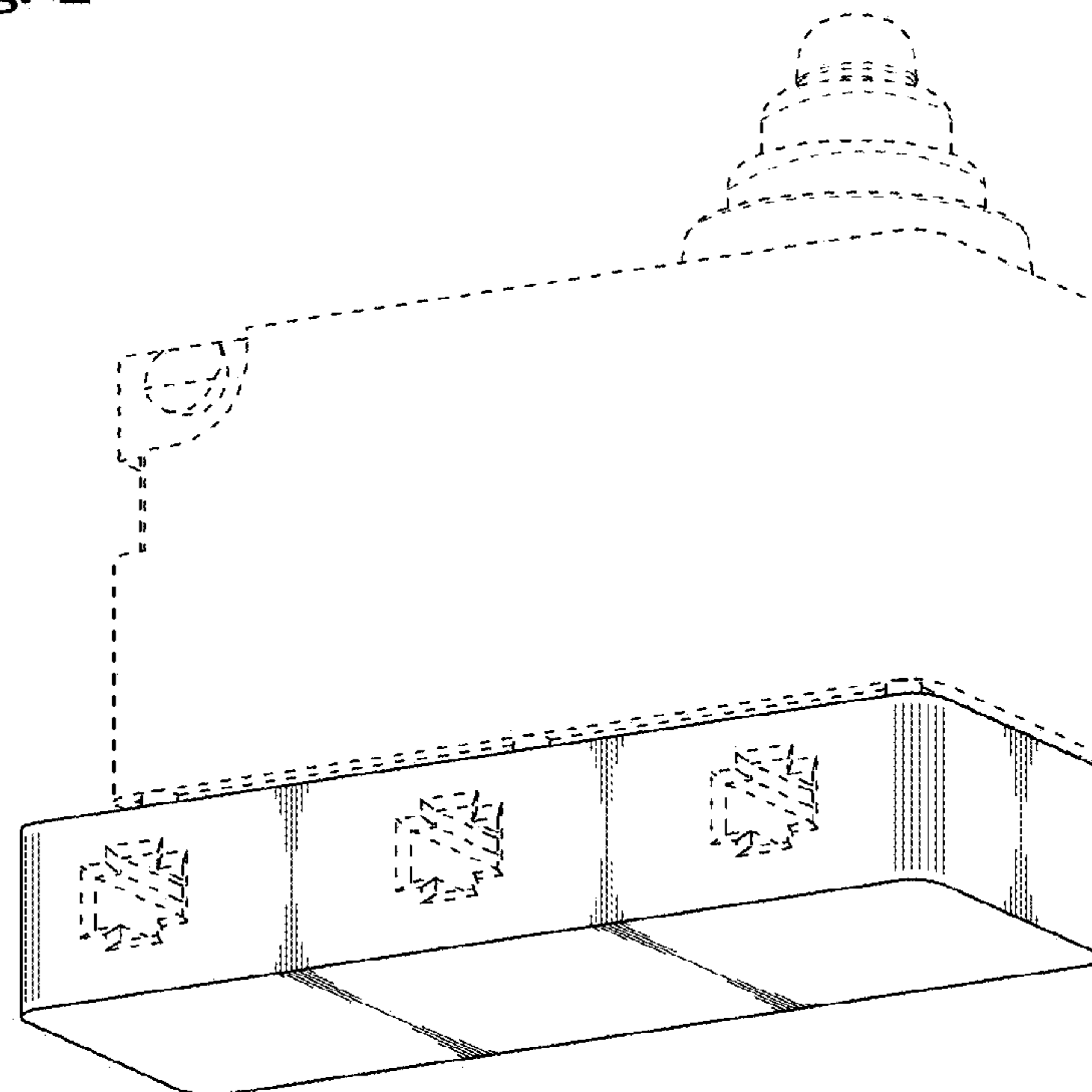


Fig. 3

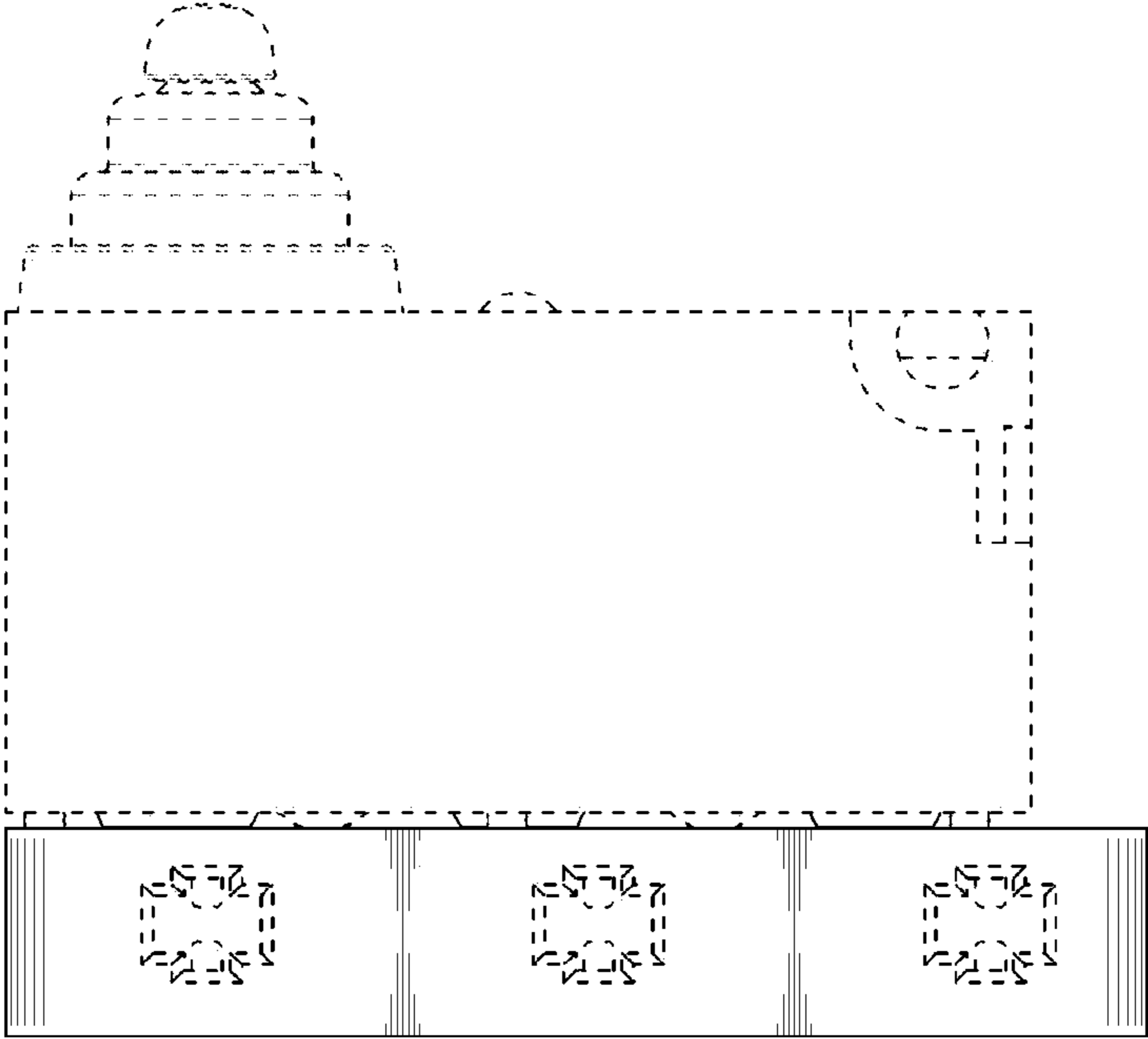


Fig. 4

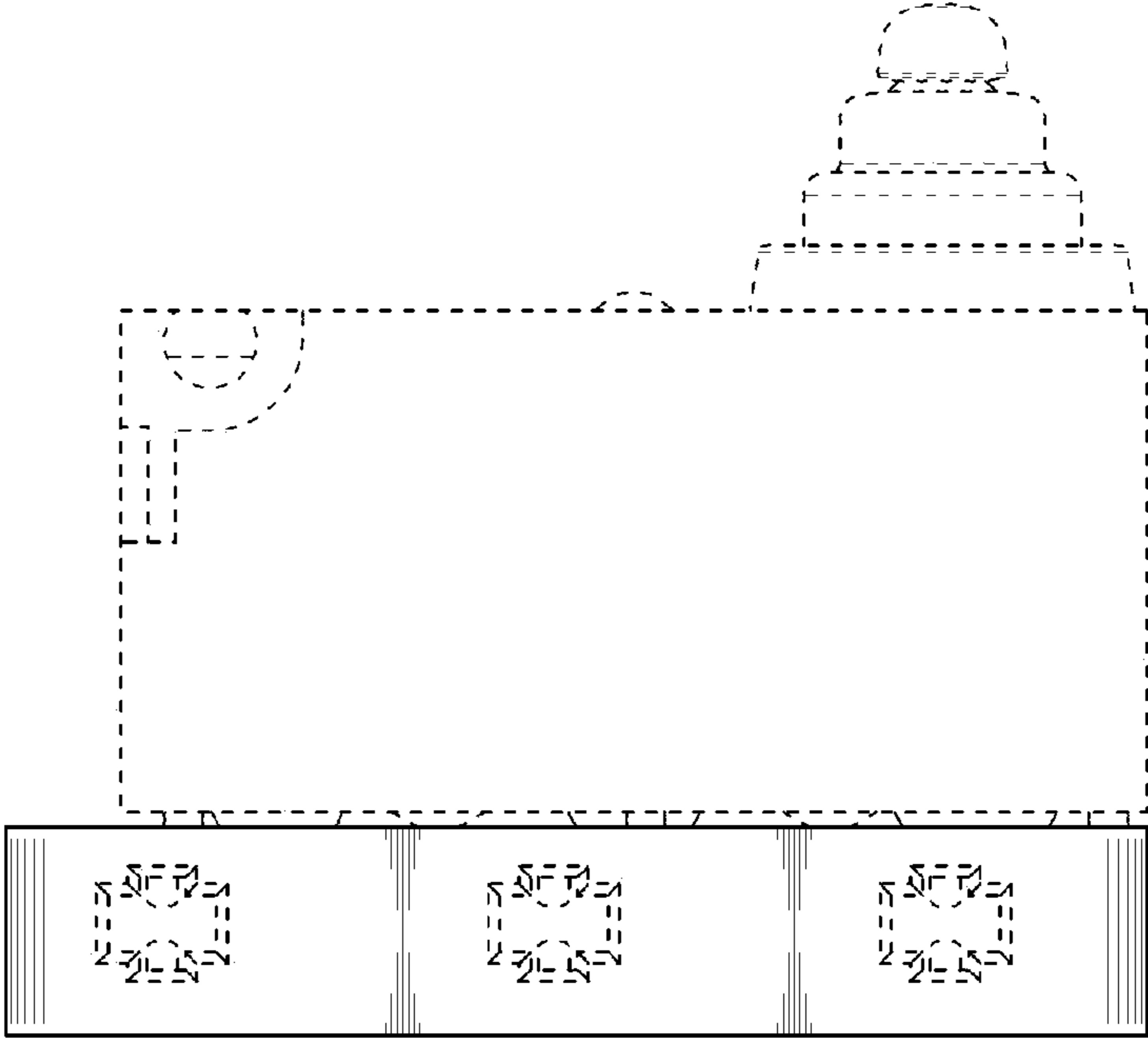


Fig. 5



Fig. 6

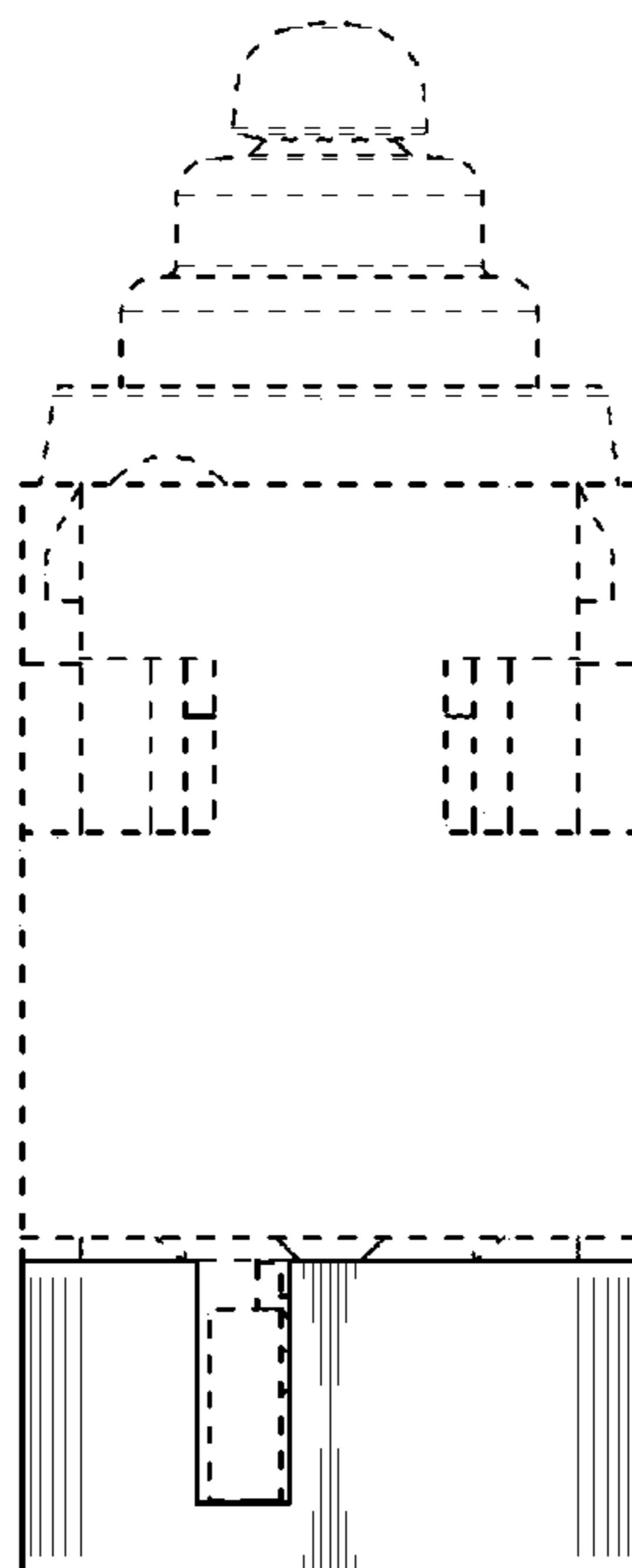


Fig. 7

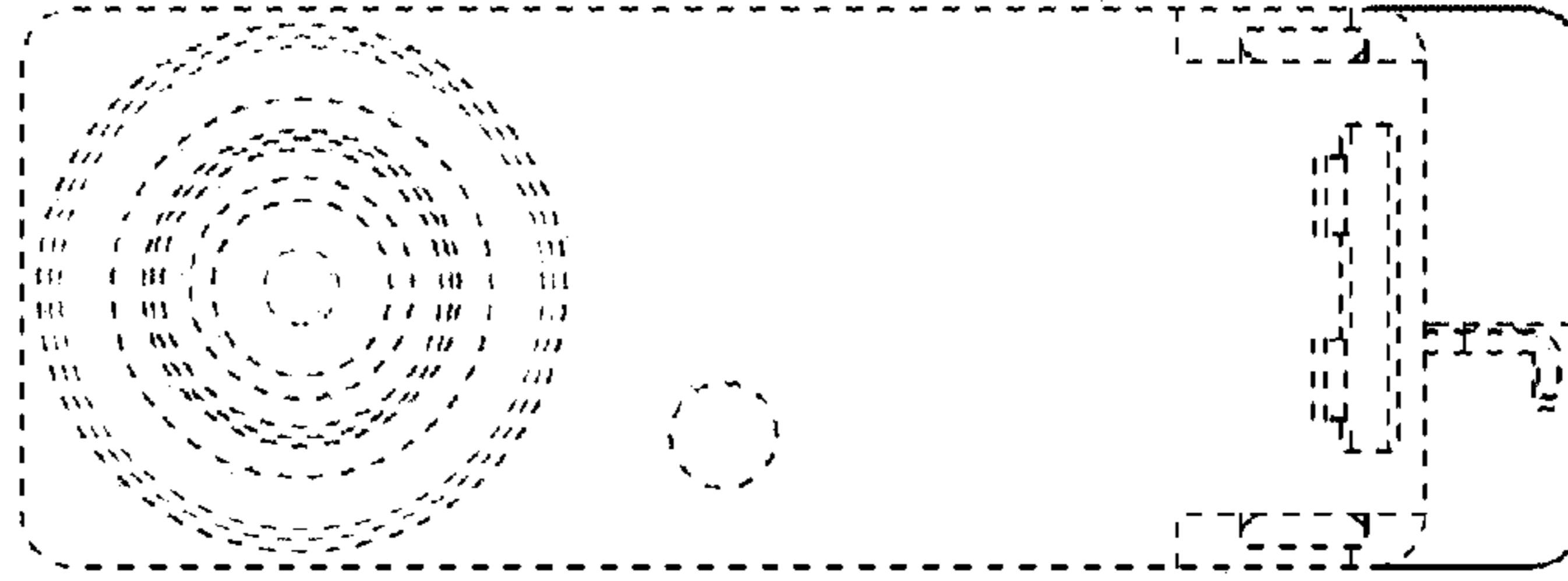


Fig. 8

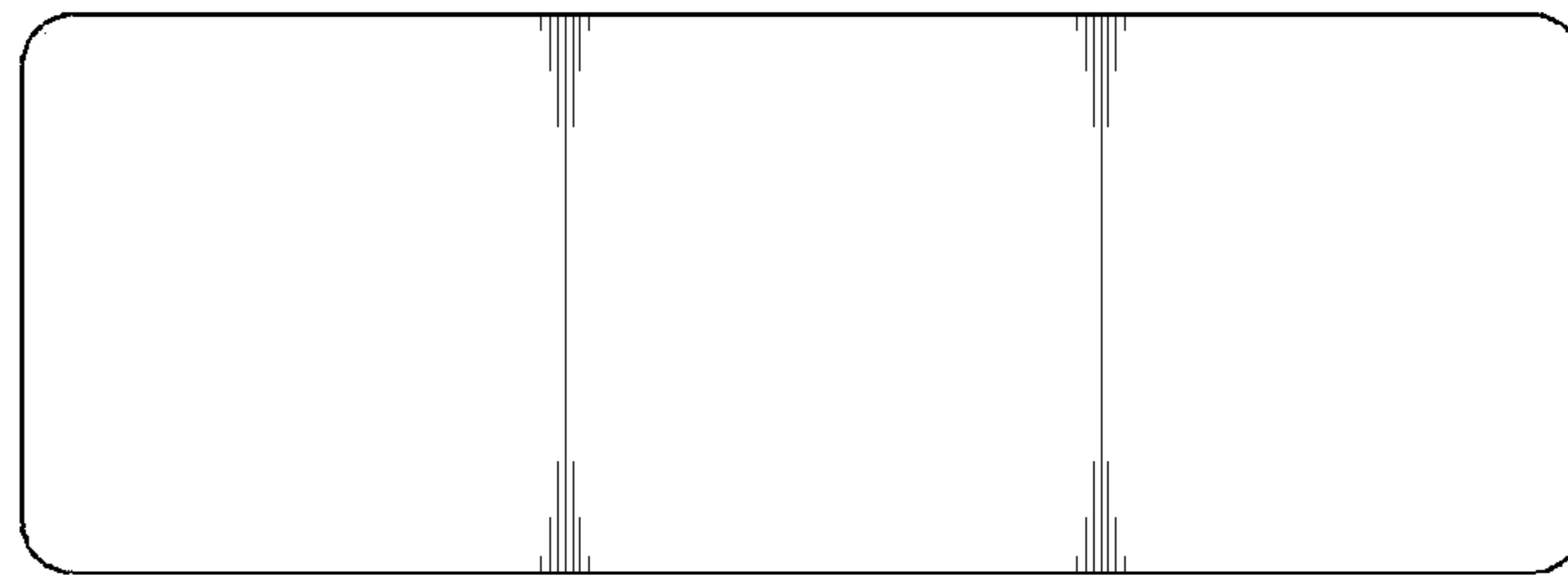


Fig. 9

