

US00D728471S

(12) **United States Design Patent**  
**Alesi et al.**

(10) **Patent No.:** **US D728,471 S**

(45) **Date of Patent:** **\*\* May 5, 2015**

(54) **SOCKET ADAPTER**

(71) Applicant: **Custom Accessories Inc.**, Richmond, IL (US)

(72) Inventors: **Vincent Anthony Alesi**, Richmond, IL (US); **Anthony Salvatore Ferenzi**, Richmond, IL (US)

(73) Assignee: **Custom Accessories Inc.**, Richmond, IL (US)

(\*\*) Term: **14 Years**

(21) Appl. No.: **29/452,997**

(22) Filed: **Apr. 24, 2013**

(51) **LOC (10) Cl.** ..... **13-02**

(52) **U.S. Cl.**  
USPC ..... **D13/110; D13/144**

(58) **Field of Classification Search**  
USPC ..... D13/107, 110, 118, 119, 123, 125, 133, D13/134, 144, 146, 147, 154, 158, 159, 160, D13/161, 162, 162.1, 163, 164, 166, 177, D13/178, 179, 182, 184, 199; D14/108, D14/251; 320/107, 108, 109, 110, 111, 112, 320/113, 114, 115; 439/300, 620.1, 638, 439/668, 669, 675, 825; 363/146

See application file for complete search history.

(56) **References Cited**

U.S. PATENT DOCUMENTS

D359,269	S	*	6/1995	Wharton	.....	D13/144
D429,689	S	*	8/2000	Barragan, Jr.	.....	D13/144
D453,731	S	*	2/2002	Hauptli	.....	D13/108
D476,297	S	*	6/2003	Schwimmer	.....	D13/184
D533,838	S	*	12/2006	Chen	.....	D13/144
D544,438	S	*	6/2007	Hussaini et al.	.....	D13/110
7,500,881	B1	*	3/2009	Lin	.....	439/668
D701,838	S	*	4/2014	Esses	.....	D13/144
2011/0237103	A1	*	9/2011	Harlan et al.	.....	439/271

\* cited by examiner

*Primary Examiner* — Derrick Holland

*Assistant Examiner* — Jennifer O King

(74) *Attorney, Agent, or Firm* — Leydig, Voit & Mayer, Ltd.

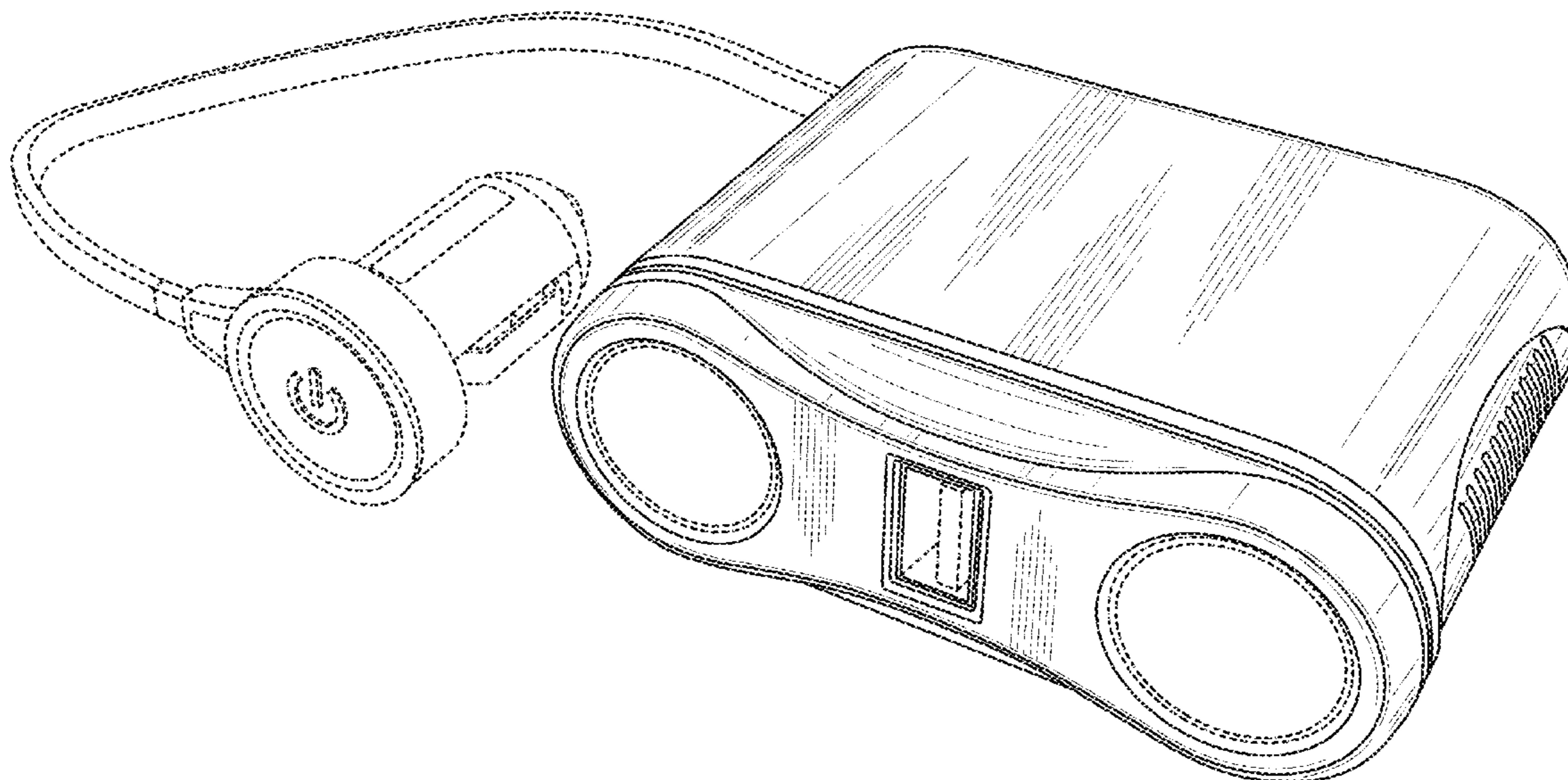
(57) **CLAIM**

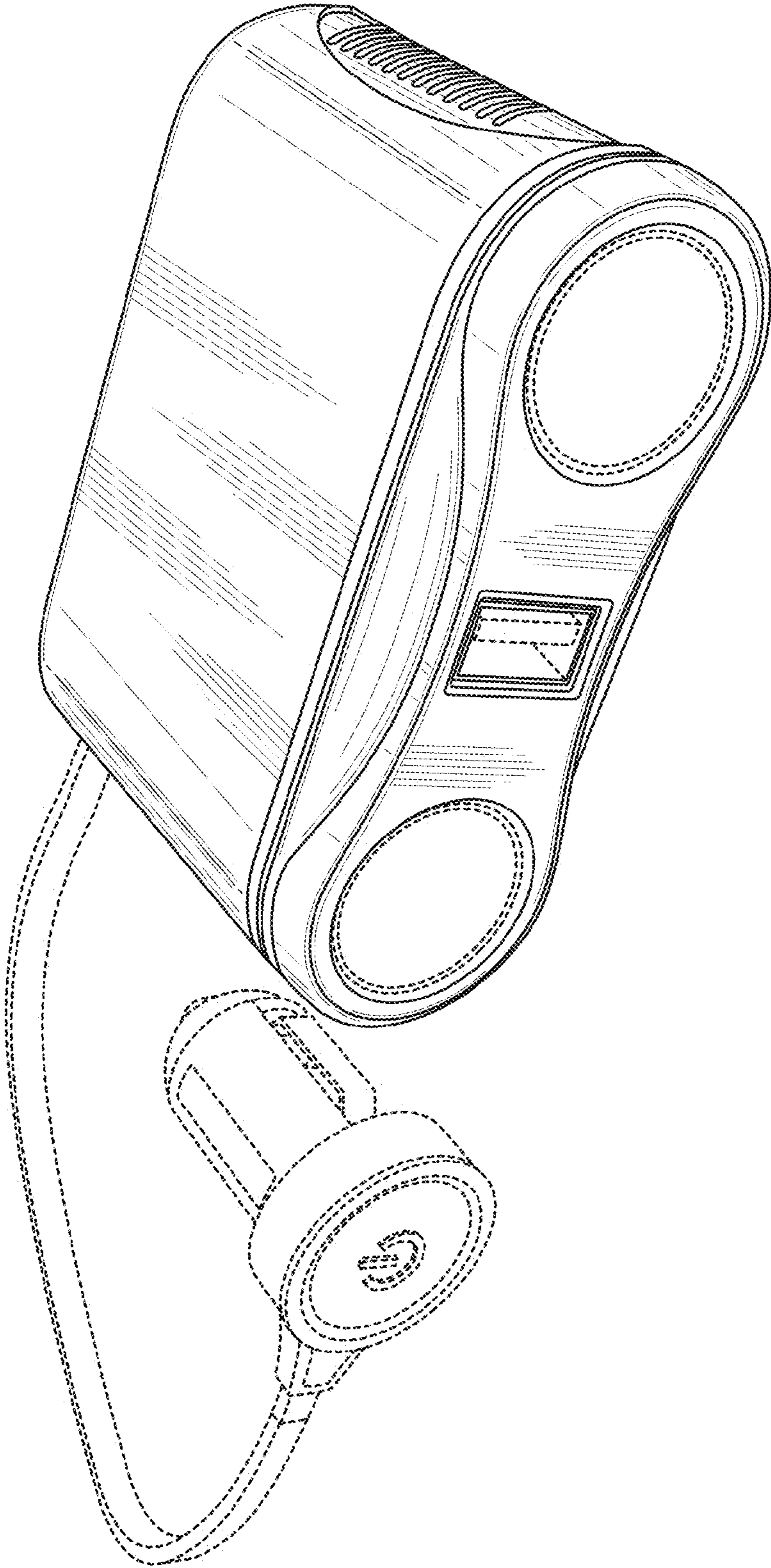
The ornamental design for a socket adapter, as shown and described.

**DESCRIPTION**

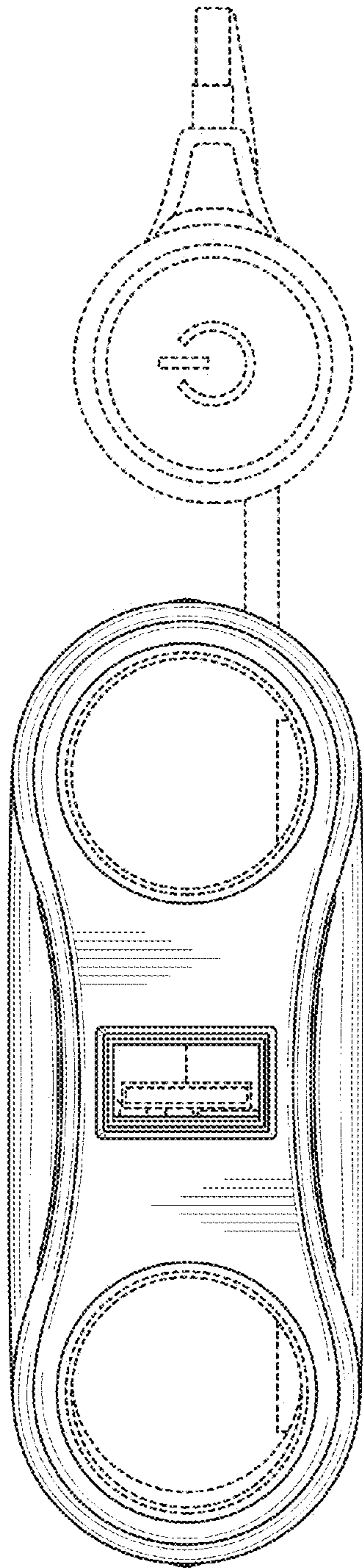
FIG. 1 is a perspective view taken from the top, front, and right side of a socket adapter showing our new design; FIG. 2 is a front elevational view of the socket adapter of FIG. 1; FIG. 3 is a rear elevational view of the socket adapter of FIG. 1; FIG. 4 is a left side view of the socket adapter of FIG. 1; FIG. 5 is a right side view of the socket adapter of FIG. 1; FIG. 6 is a top view of the socket adapter of FIG. 1; and FIG. 7 is a bottom view of the socket adapter of FIG. 1. The broken lines shown represent unclaimed subject matter and form no part of the claimed design.

**1 Claim, 5 Drawing Sheets**

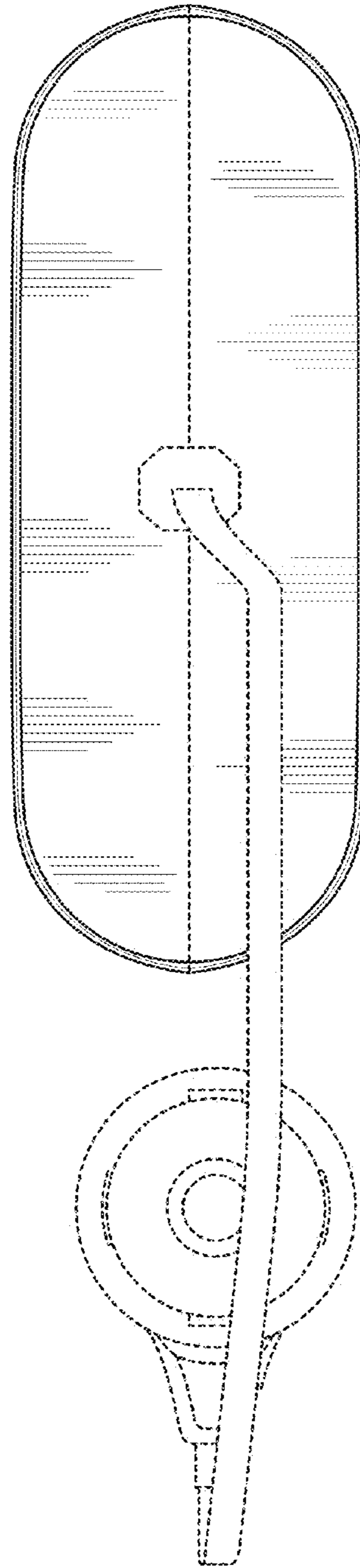




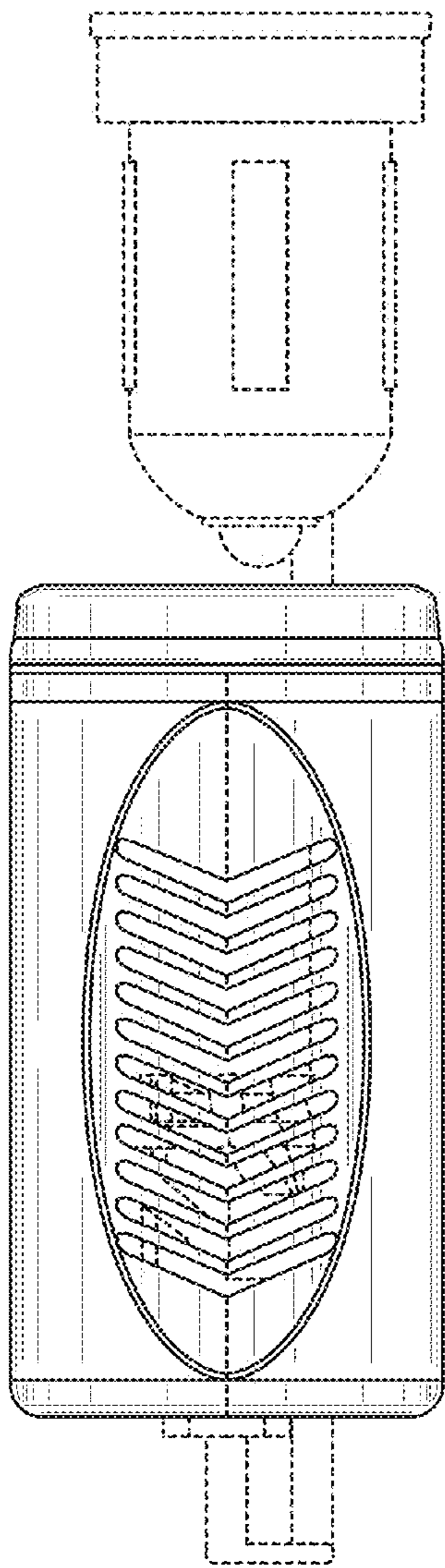
**FIG. 1**



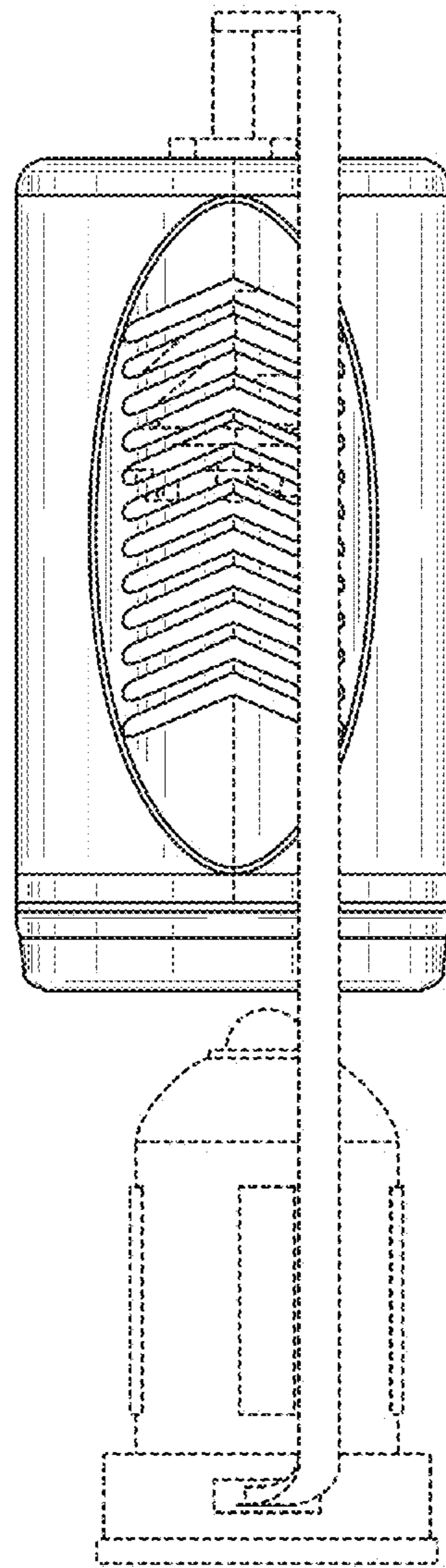
**FIG. 2**



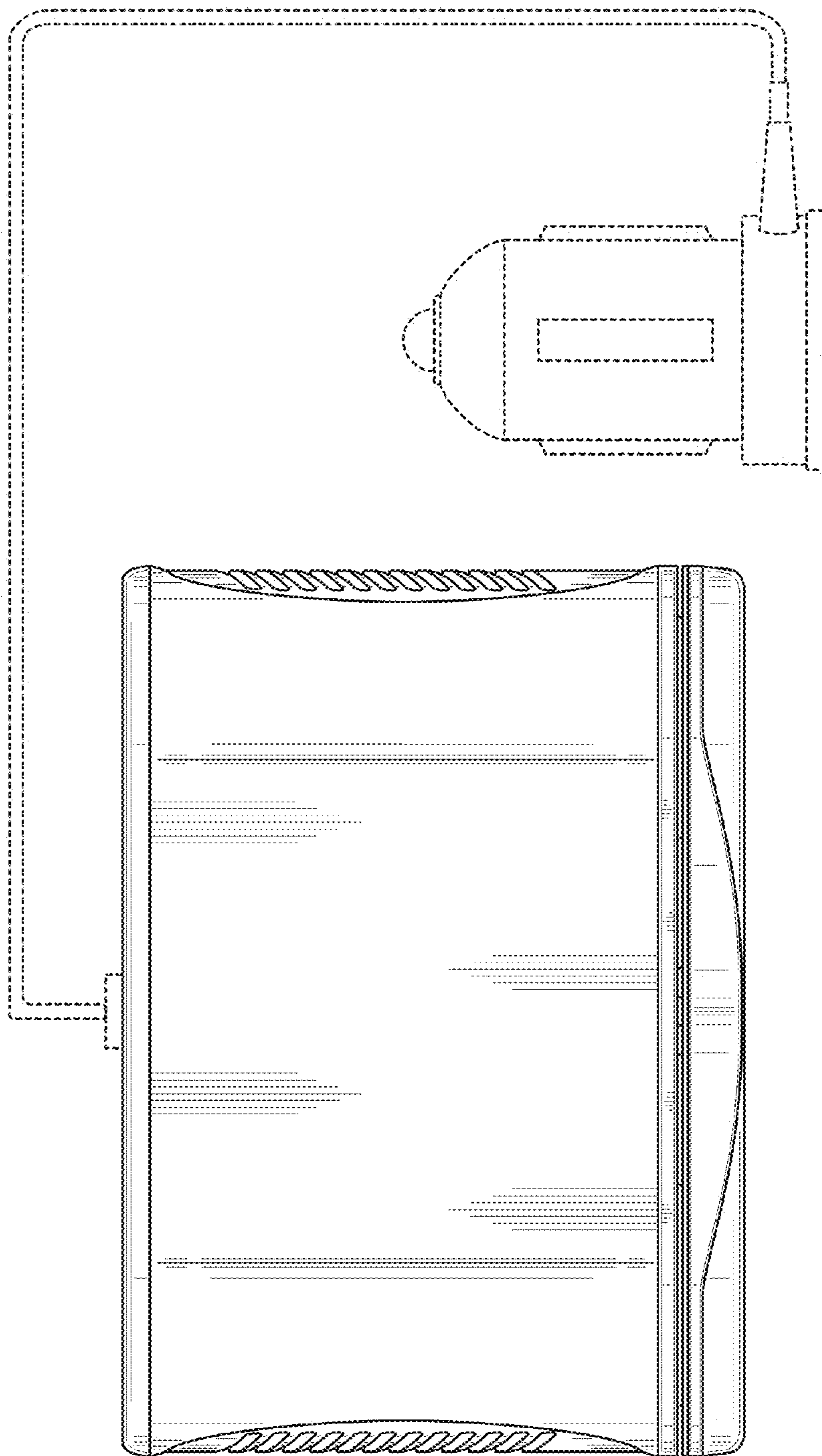
**FIG. 3**



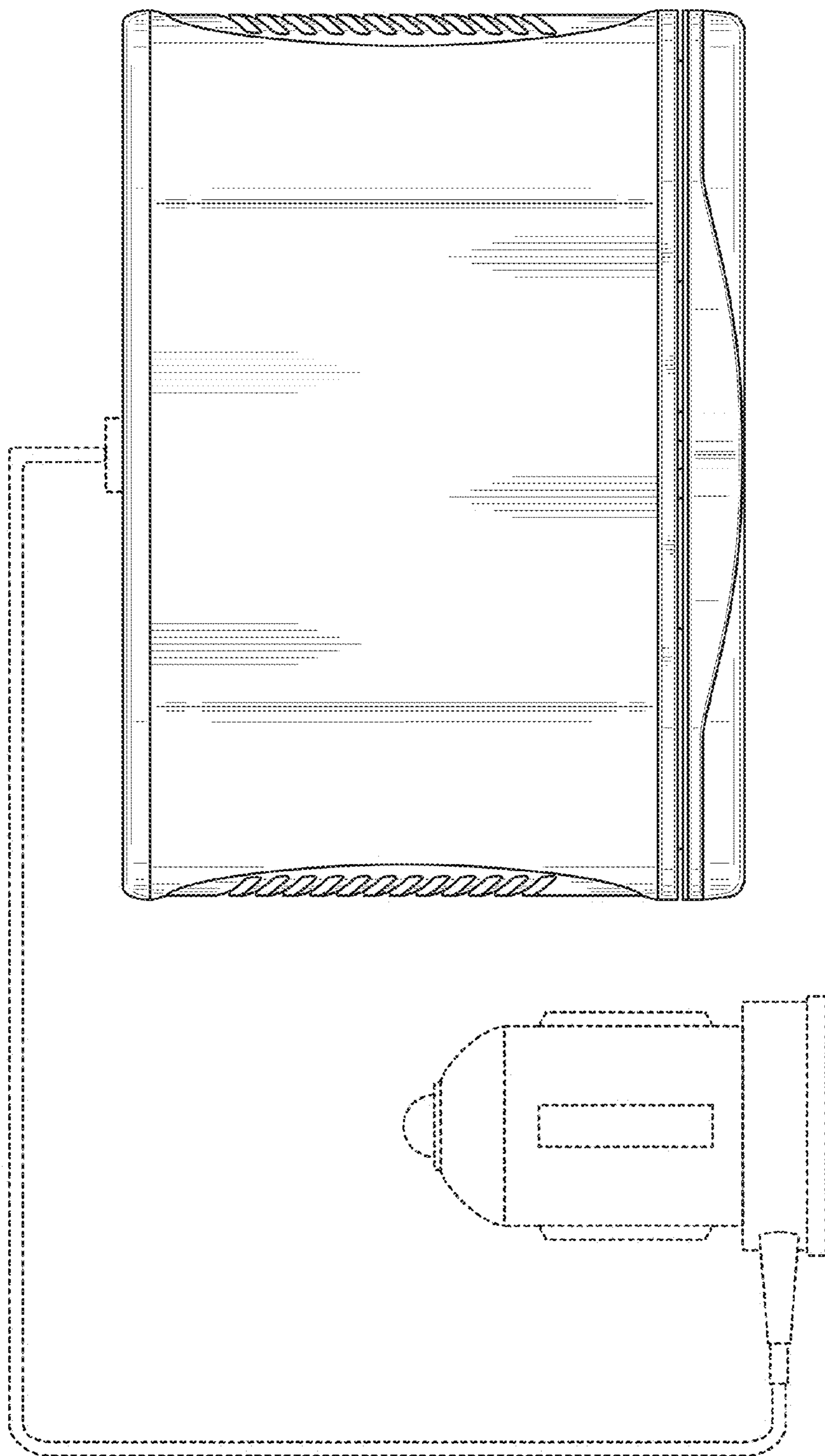
**FIG. 4**



**FIG. 5**



**FIG. 6**



**FIG. 7**